



US00D458474S

(12) **United States Design Patent**
Hecht et al.

(10) **Patent No.:** **US D458,474 S**
(45) **Date of Patent:** **** Jun. 11, 2002**

(54) **TABLE**

D228,857 S * 10/1973 Allsop D6/480

(75) Inventors: **Thomas R. Hecht**, Manheim; **Howard F. Livingston**, Lancaster, both of PA (US)

OTHER PUBLICATIONS

Sweets, 1993, 02870/GAM Buyline 1005, table at bottom.*
Monterey Bay, p. 10, table in lower left corner.*

(73) Assignee: **Home Gardener Manufacturing Co.**, Lititz, PA (US)

* cited by examiner

(**) Term: **14 Years**

Primary Examiner—Janice E. Seeger

(21) Appl. No.: **29/150,124**

(74) *Attorney, Agent, or Firm*—Dykema Gossett PLLC

(22) Filed: **Nov. 7, 2001**

(57) **CLAIM**

Related U.S. Application Data

The ornamental design for a table, as shown and described.

(62) Division of application No. 29/137,156, filed on Feb. 15, 2001.

DESCRIPTION

(51) **LOC (7) Cl.** **06-03**

FIG. 1 is a top perspective view of a table, showing our new and ornamental design,

(52) **U.S. Cl.** **D6/480; D6/349**

FIG. 2 is a side elevational view thereof, the opposite side elevational view being a mirror image,

(58) **Field of Search** D6/349, 337, 480, D6/484, 485, 355; 108/153.1, 155, 156, 157.1, 161; 297/462, 423.1, 461

FIG. 3 is an end elevational view thereof, the opposite end elevational view being a mirror image; and,

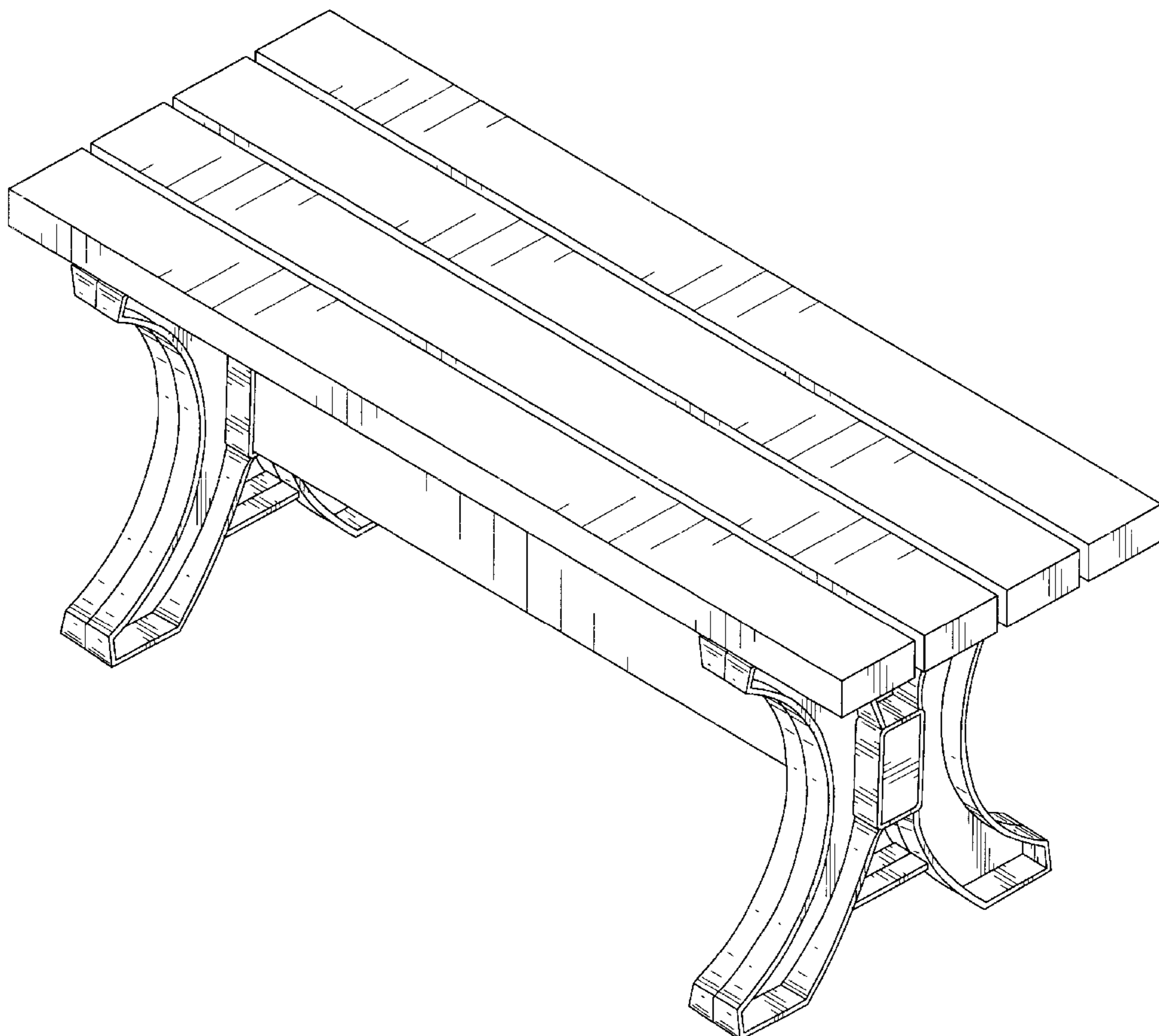
(56) **References Cited**

FIG. 4 is a bottom perspective view thereof.

U.S. PATENT DOCUMENTS

D213,496 S * 3/1969 Wormser D6/349

1 Claim, 4 Drawing Sheets



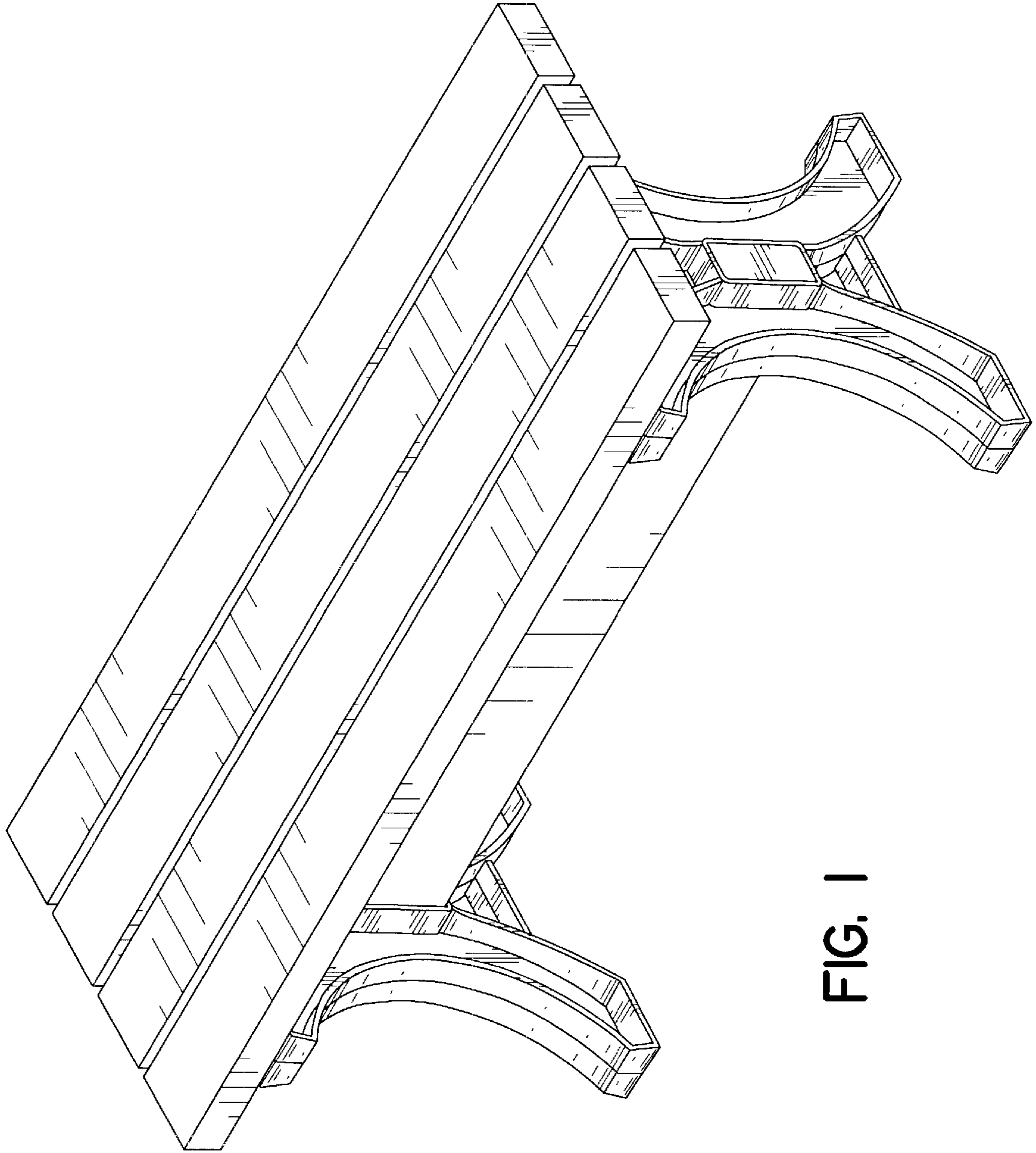


FIG. 1

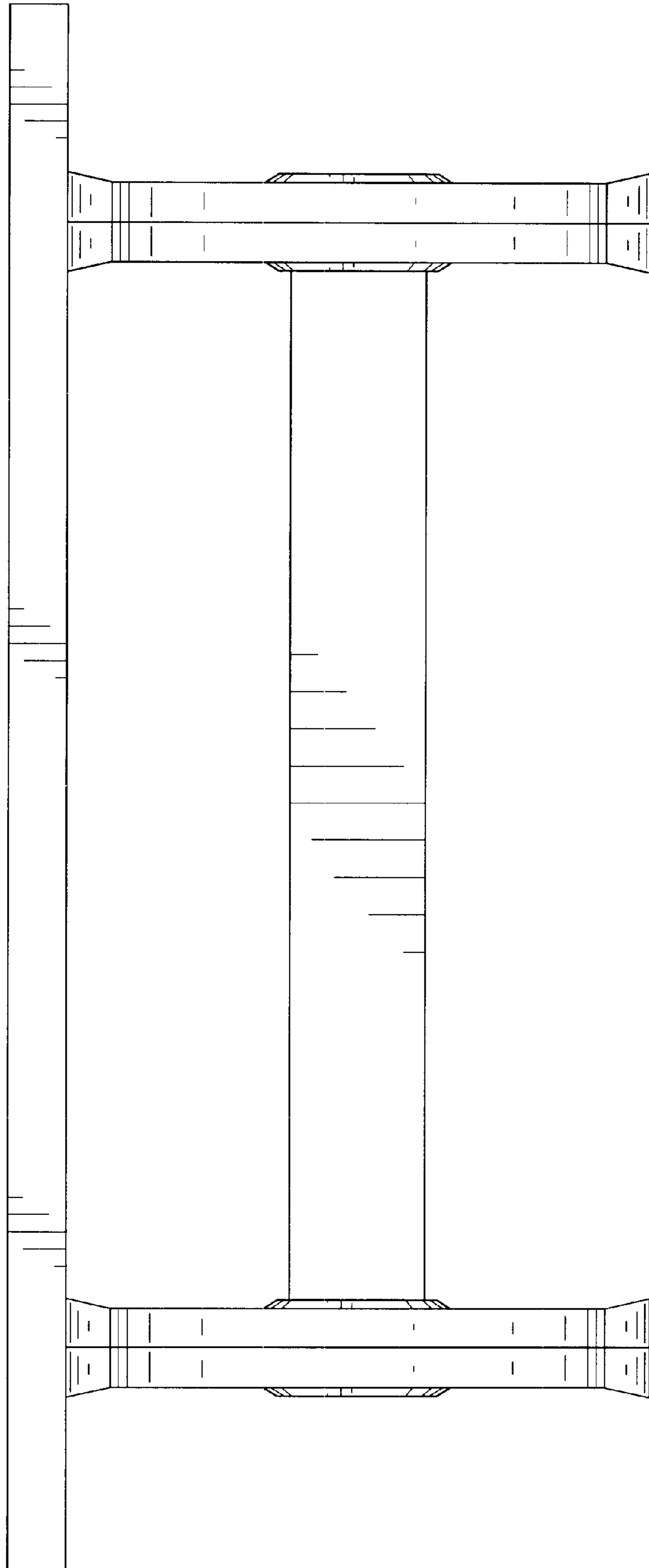


FIG. 2

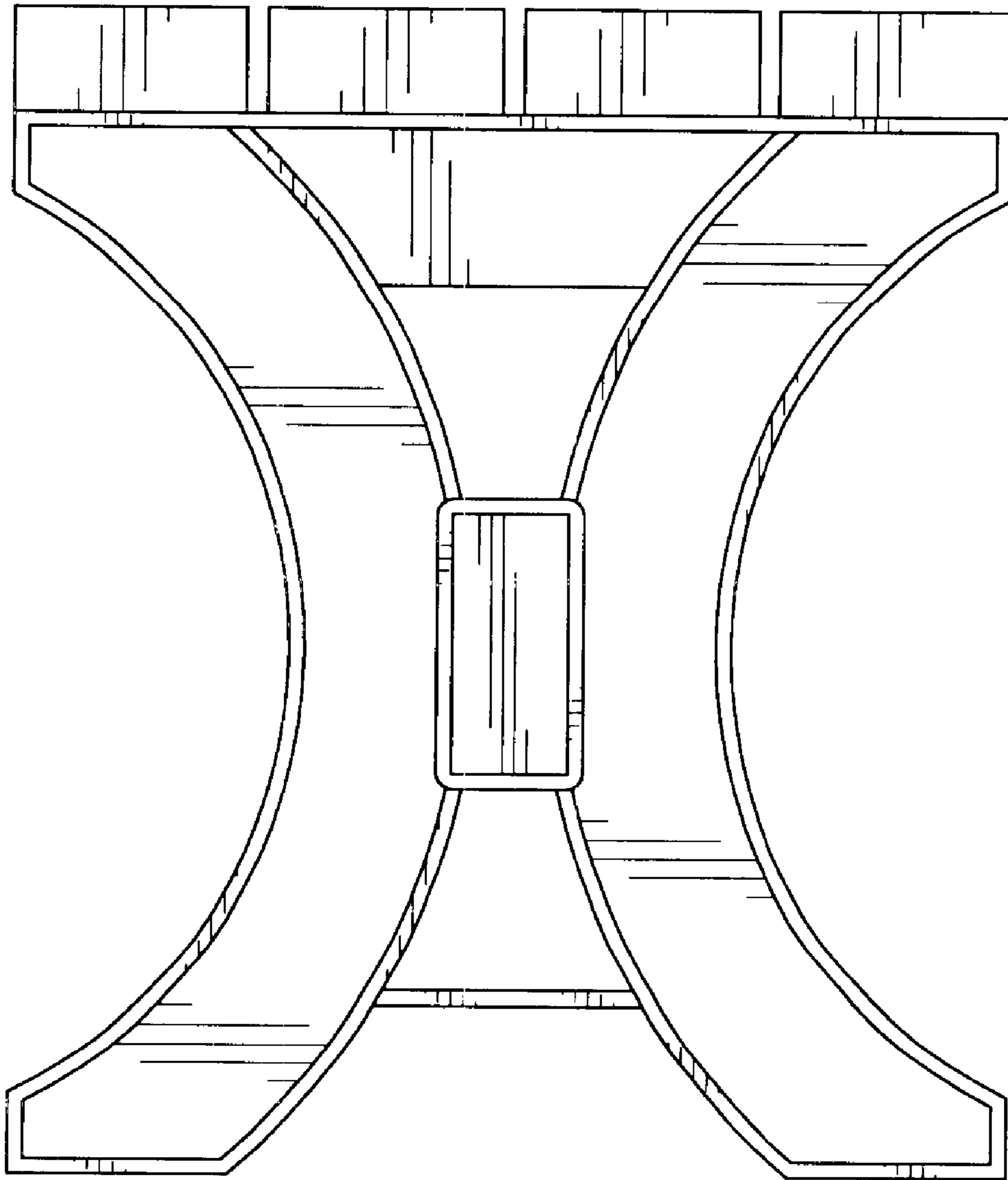


FIG. 3

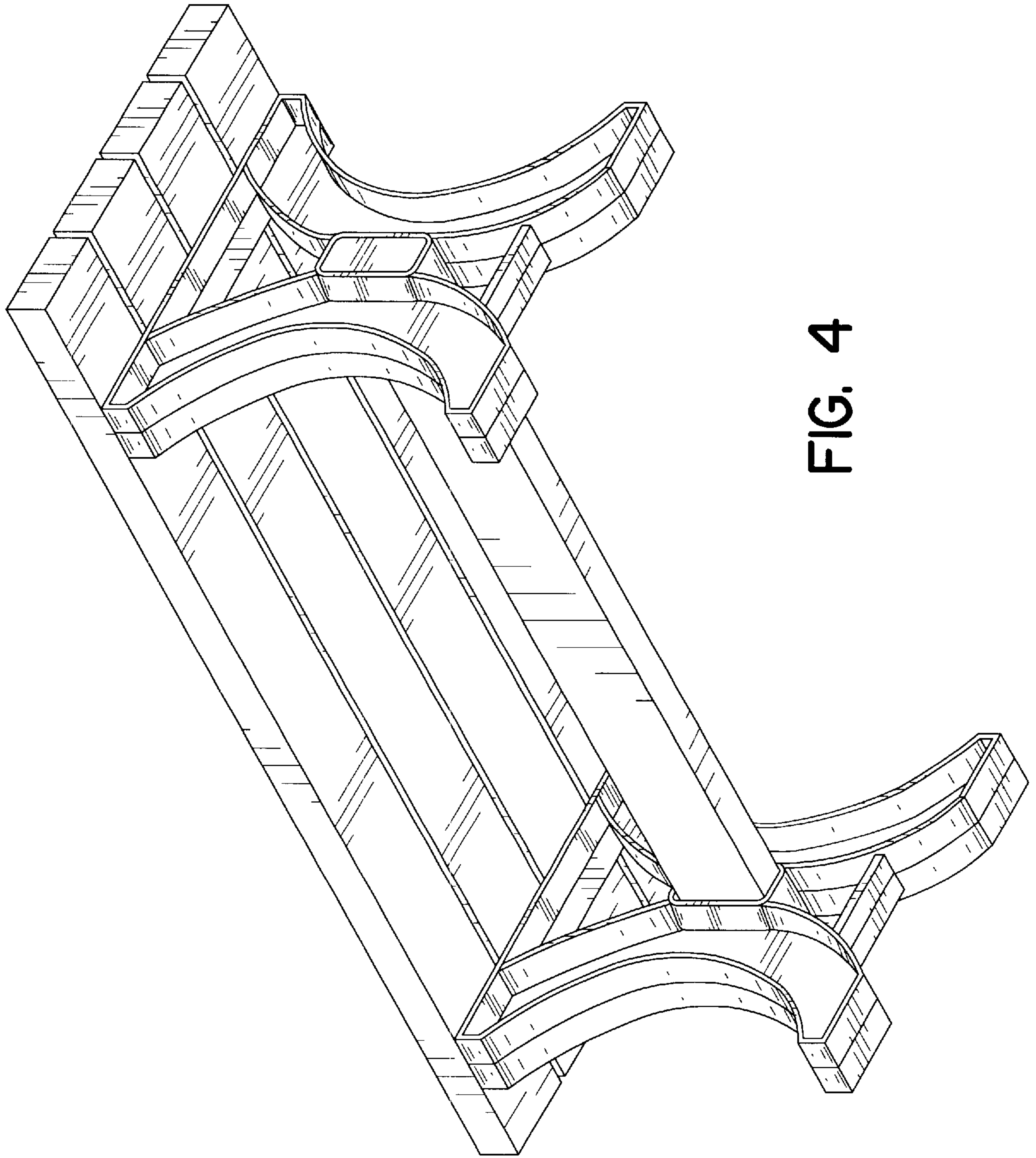


FIG. 4