



US00D458468S

(12) **United States Design Patent**  
**Levrangi**

(10) **Patent No.:** **US D458,468 S**

(45) **Date of Patent:** **\*\* Jun. 11, 2002**

(54) **CHAIR**

(75) Inventor: **Marco Levrangi, Salo' (IT)**

(73) Assignee: **Fast S.p.A. (IT)**

(\*\*) Term: **14 Years**

(21) Appl. No.: **29/136,457**

(22) Filed: **Feb. 1, 2001**

(30) **Foreign Application Priority Data**

Aug. 1, 2000 (IT) ..... BS0000028

(51) **LOC (7) Cl.** ..... **06-01**

(52) **U.S. Cl.** ..... **D6/376; D6/379; D6/380**

(58) **Field of Search** ..... **D6/334, 369, 370,**  
**D6/374, 376, 379, 380, 500, 501, 502;**  
**297/446.1, 452.64**

(56) **References Cited**

**U.S. PATENT DOCUMENTS**

- D357,821 S \* 5/1995 Tedesco ..... D6/379
- 5,549,358 A \* 8/1996 Müller ..... 297/452.64
- D390,028 S \* 2/1998 Caldwell ..... D6/376

**OTHER PUBLICATIONS**

Landscape Forms, Inc. Catalog, p. 6, chairs shown at right-center, 1995.\*

\* cited by examiner

*Primary Examiner*—Gary D. Watson

(74) *Attorney, Agent, or Firm*—McGlew and Tuttle, P.C.

(57) **CLAIM**

The ornamental design for a chair, as shown and described.

**DESCRIPTION**

FIG. 1 is a perspective view of a chair,

FIG. 2 is a right side view thereof, wherein the left side view is a mirror image thereof,

FIG. 3 is a front view thereof,

FIG. 4 is a rear view thereof,

FIG. 5 is a top view thereof,

FIG. 6 is a perspective view of a second embodiment of a chair,

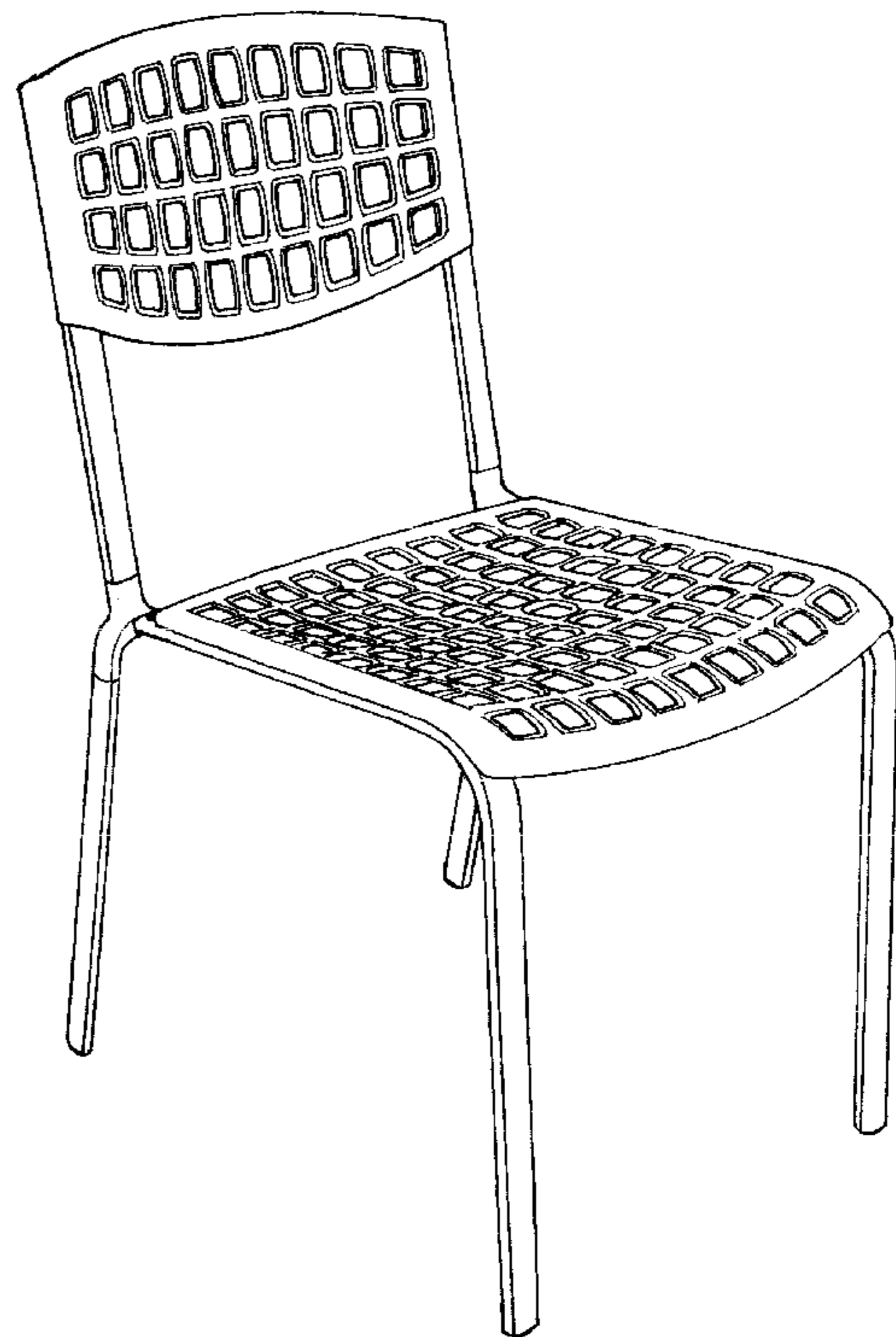
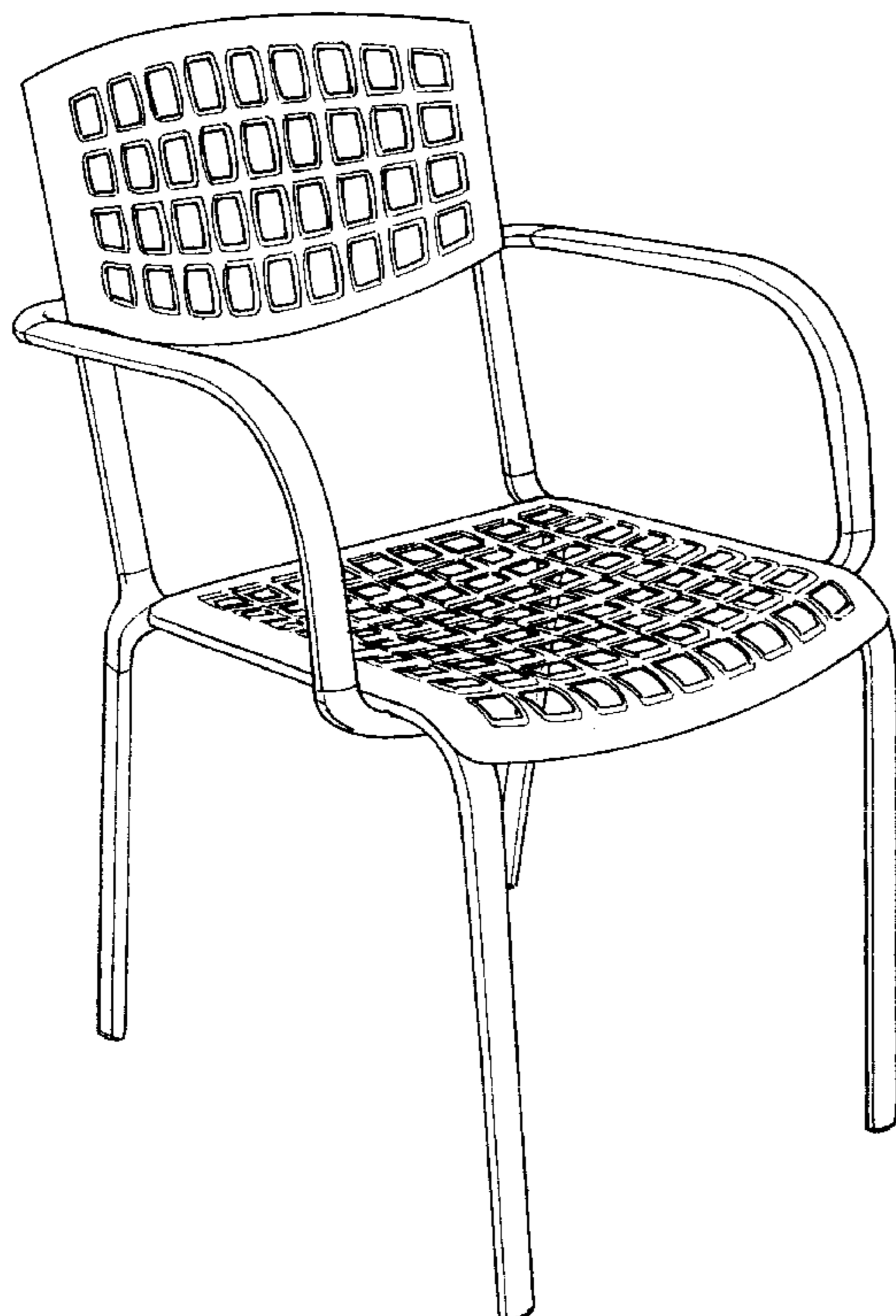
FIG. 7 is a right side view thereof, wherein the left side view is a mirror image thereof,

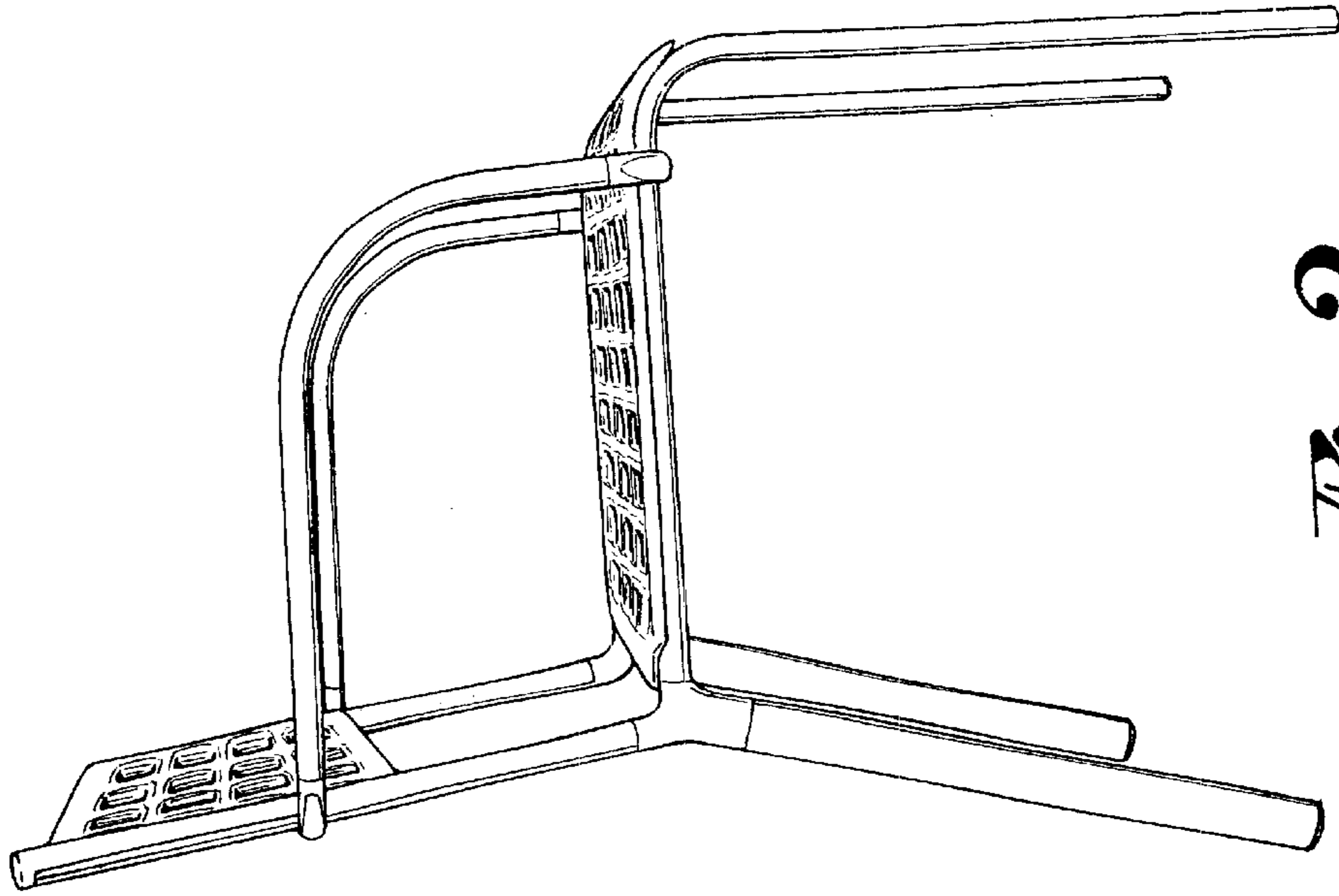
FIG. 8 is a front view thereof,

FIG. 9 is a rear view thereof; and,

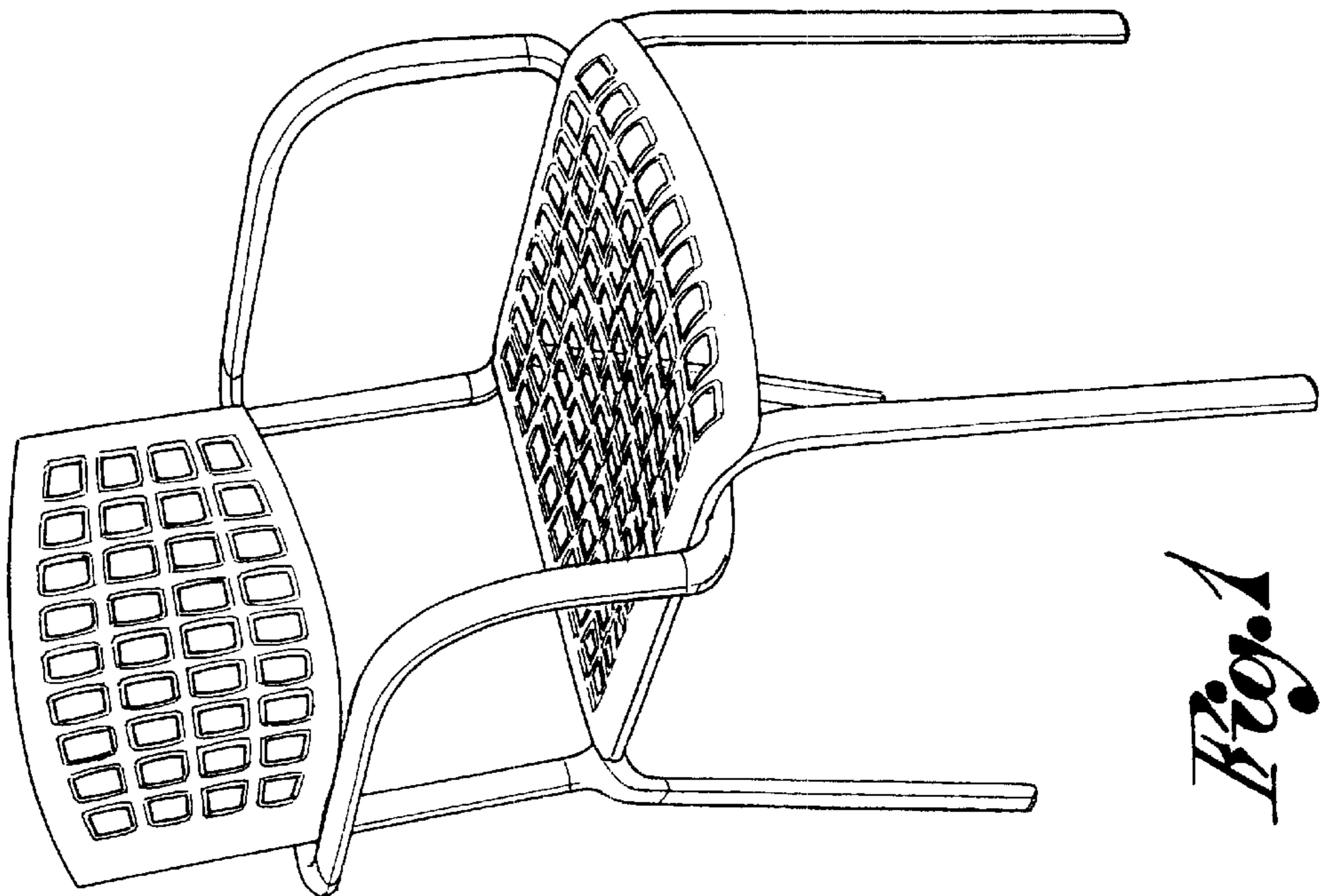
FIG. 10 is a top view thereof.

**1 Claim, 5 Drawing Sheets**

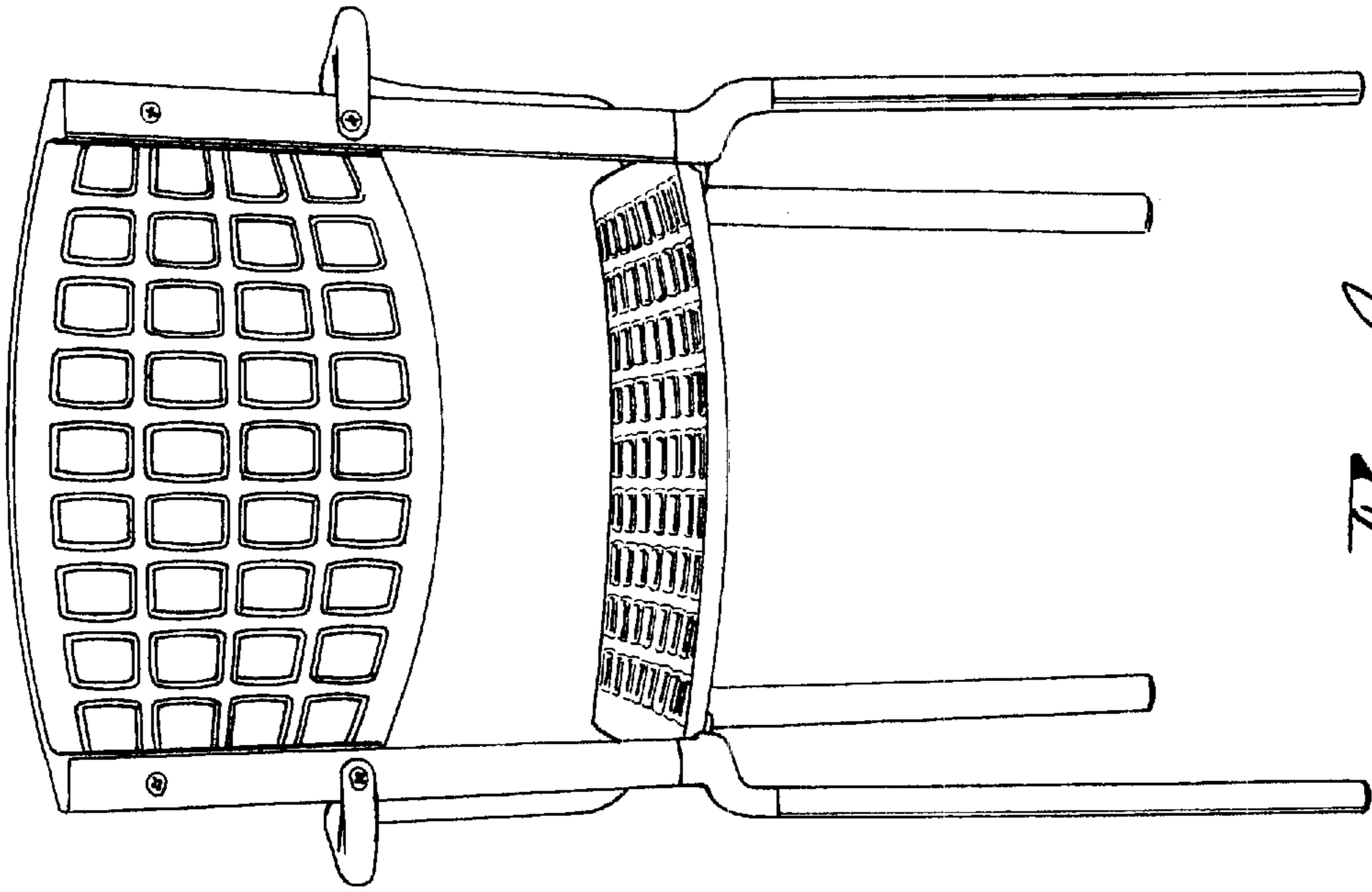




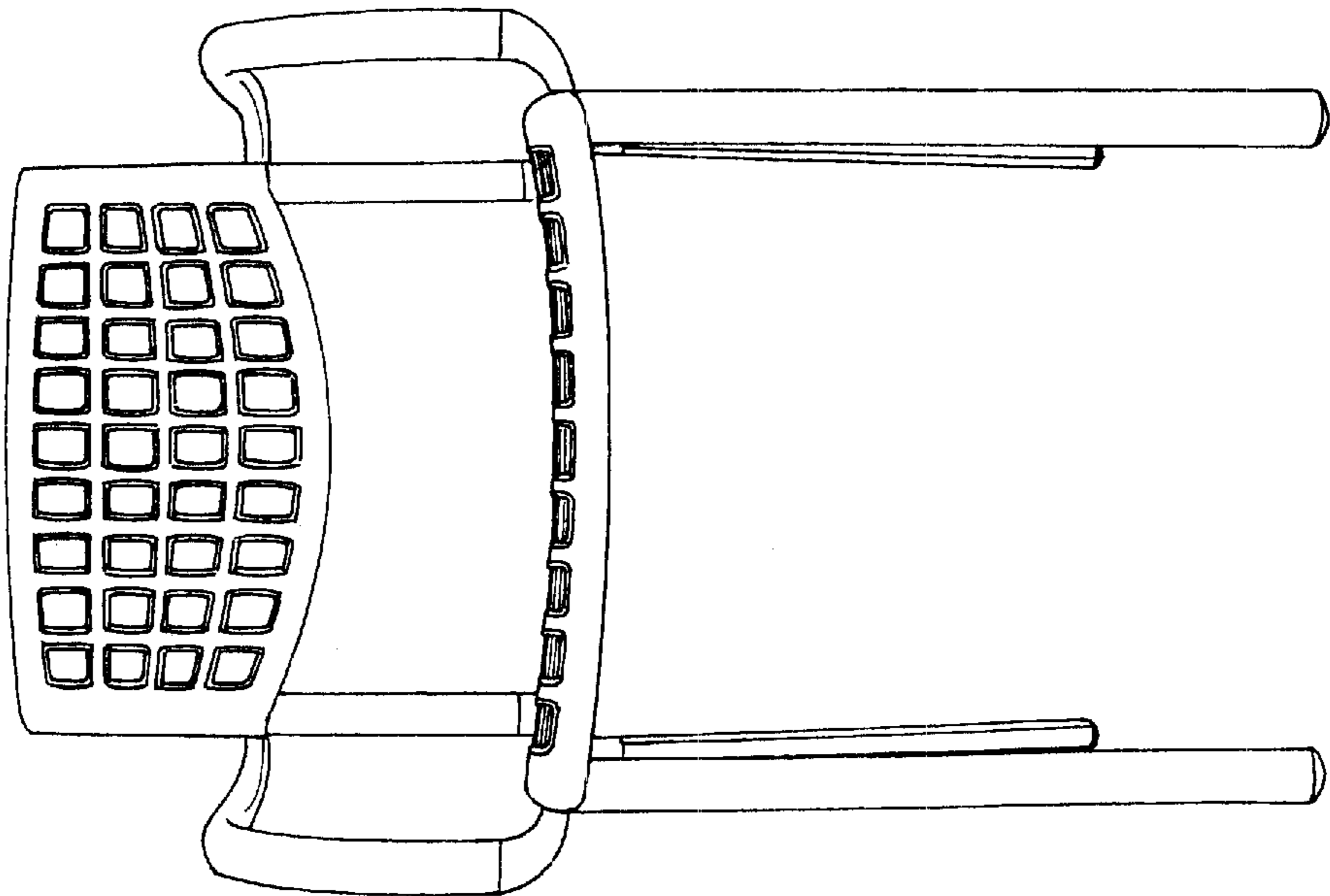
*Fig. 2*



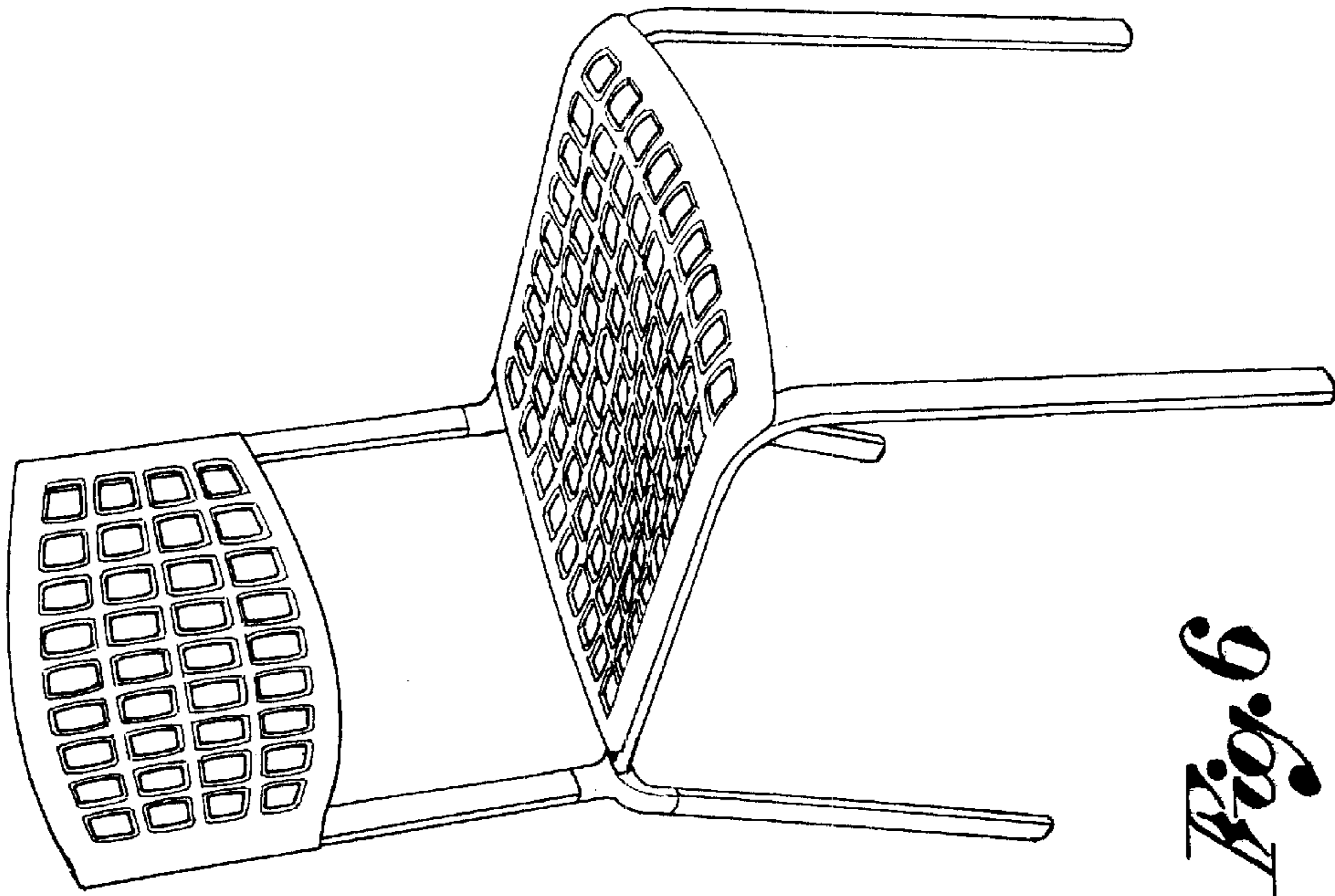
*Fig. 1*



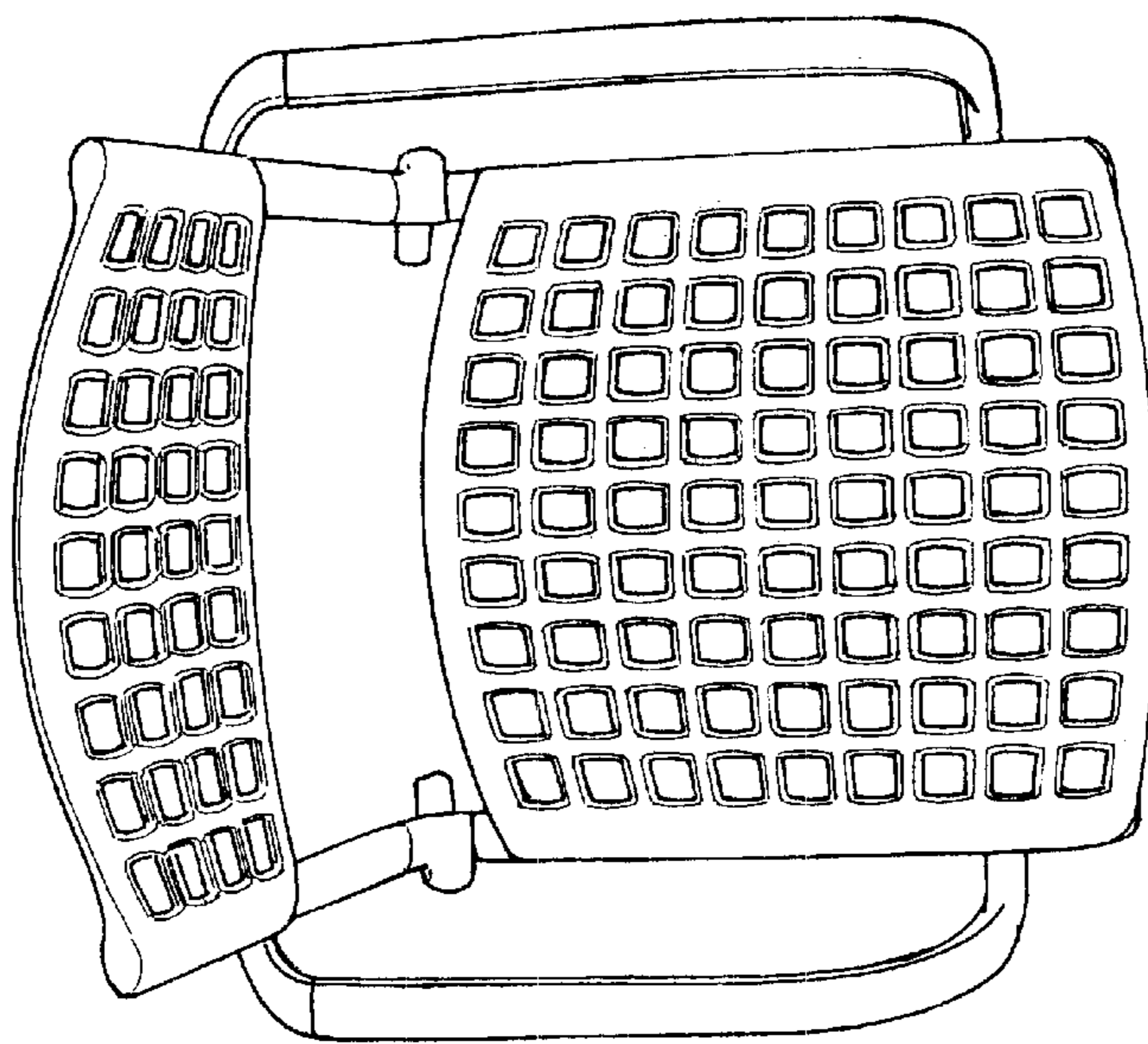
*Fig. 1*



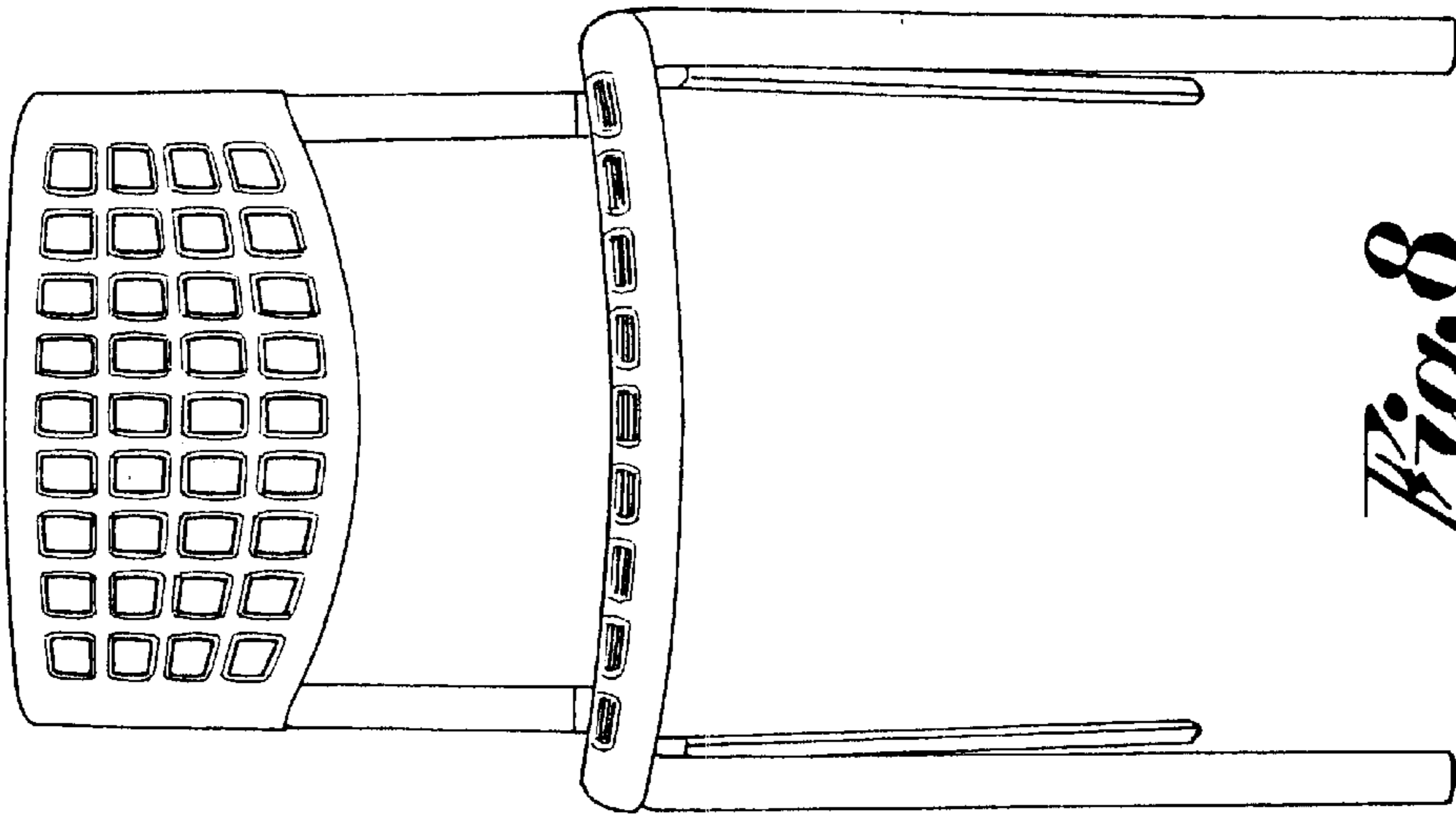
*Fig. 3*



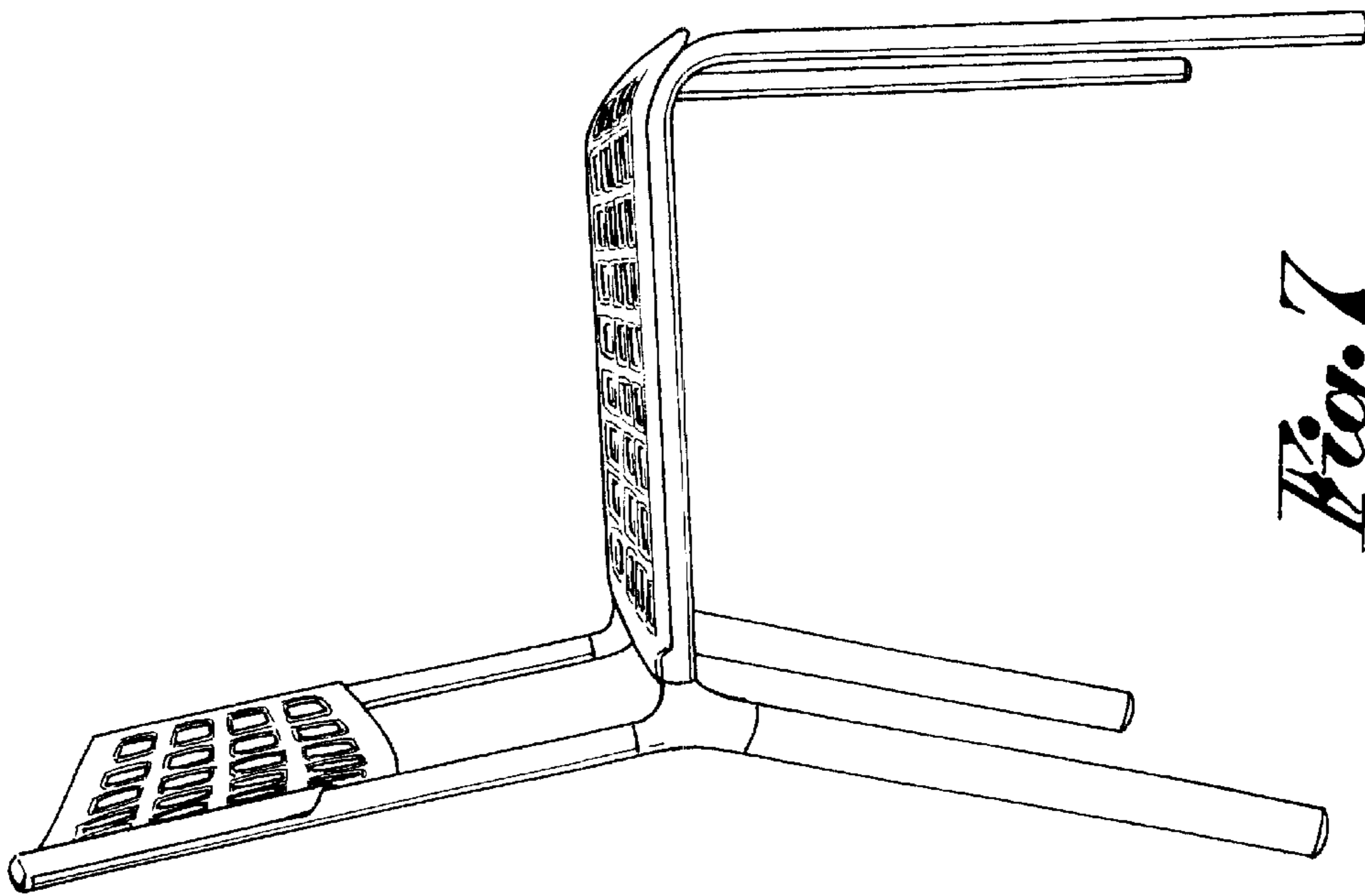
*Fig. 6*



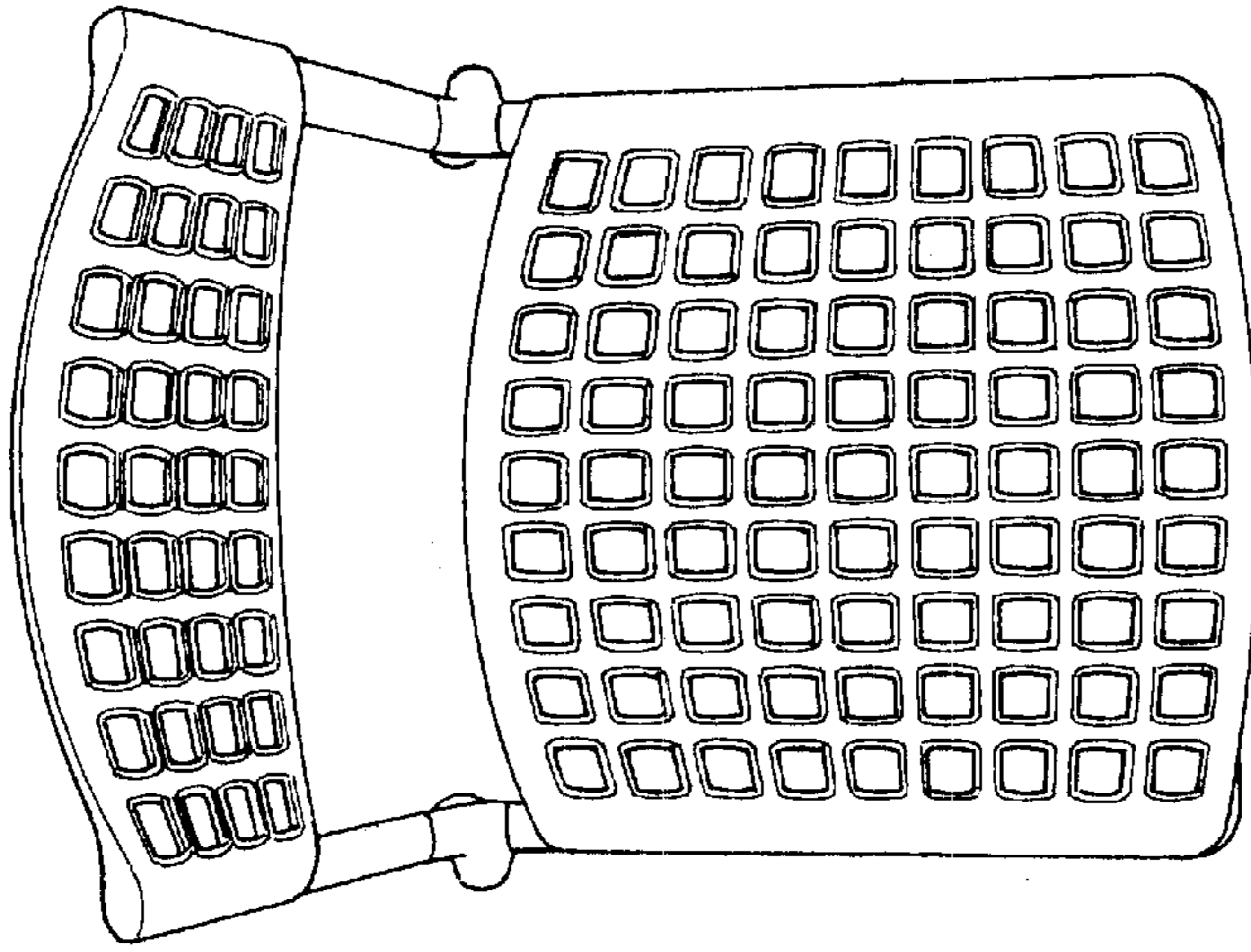
*Fig. 5*



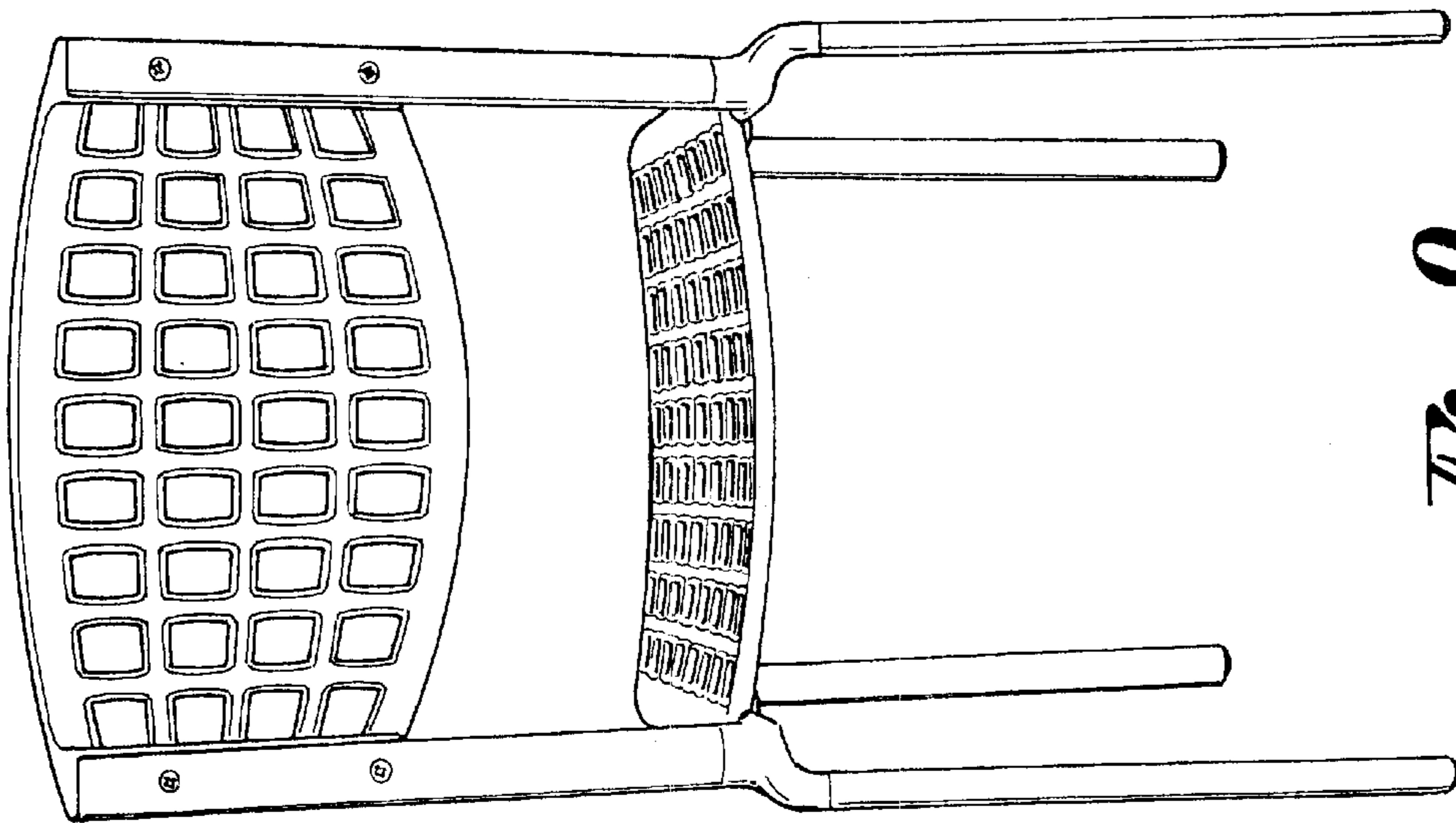
*Fig. 8*



*Fig. 7*



*Fig. 10*



*Fig. 9*