



US00D458466S

(12) **United States Design Patent**
McCairley

(10) **Patent No.:** **US D458,466 S**

(45) **Date of Patent:** **** Jun. 11, 2002**

(54) **CHAIR**

(75) **Inventor:** **John McCairley, Guelph (CA)**

(73) **Assignee:** **Lind Furniture, Mississauga (CA)**

(**) **Term:** **14 Years**

(21) **Appl. No.:** **29/145,544**

(22) **Filed:** **Jul. 26, 2001**

(51) **LOC (7) Cl.** **06-01**

(52) **U.S. Cl.** **D6/365**

(58) **Field of Search** D6/334, 335, 344,
D6/364, 365, 366, 367, 374, 375, 492,
495, 500-502; 297/344.21, 411.44, 411.45,
451.4, 451.5, 452.26, 452.29, 281

(56) **References Cited**

U.S. PATENT DOCUMENTS

- D198,452 S * 6/1964 Baughman D6/366
- D227,203 S * 6/1973 Winrow D6/364
- D316,936 S * 5/1991 Ekornes et al. D6/365

- D335,582 S * 5/1993 Desnoyers D6/344
- D405,282 S * 2/1999 Desnoyers et al. D6/365
- D415,622 S * 10/1999 Zaidman D6/334
- D418,698 S * 1/2000 McDiarmid D6/495
- 6,092,870 A * 7/2000 Desnoyers et al. 297/281

* cited by examiner

Primary Examiner—Doris V. Coles

Assistant Examiner—Mimosa De

(74) *Attorney, Agent, or Firm*—George A. Seaby

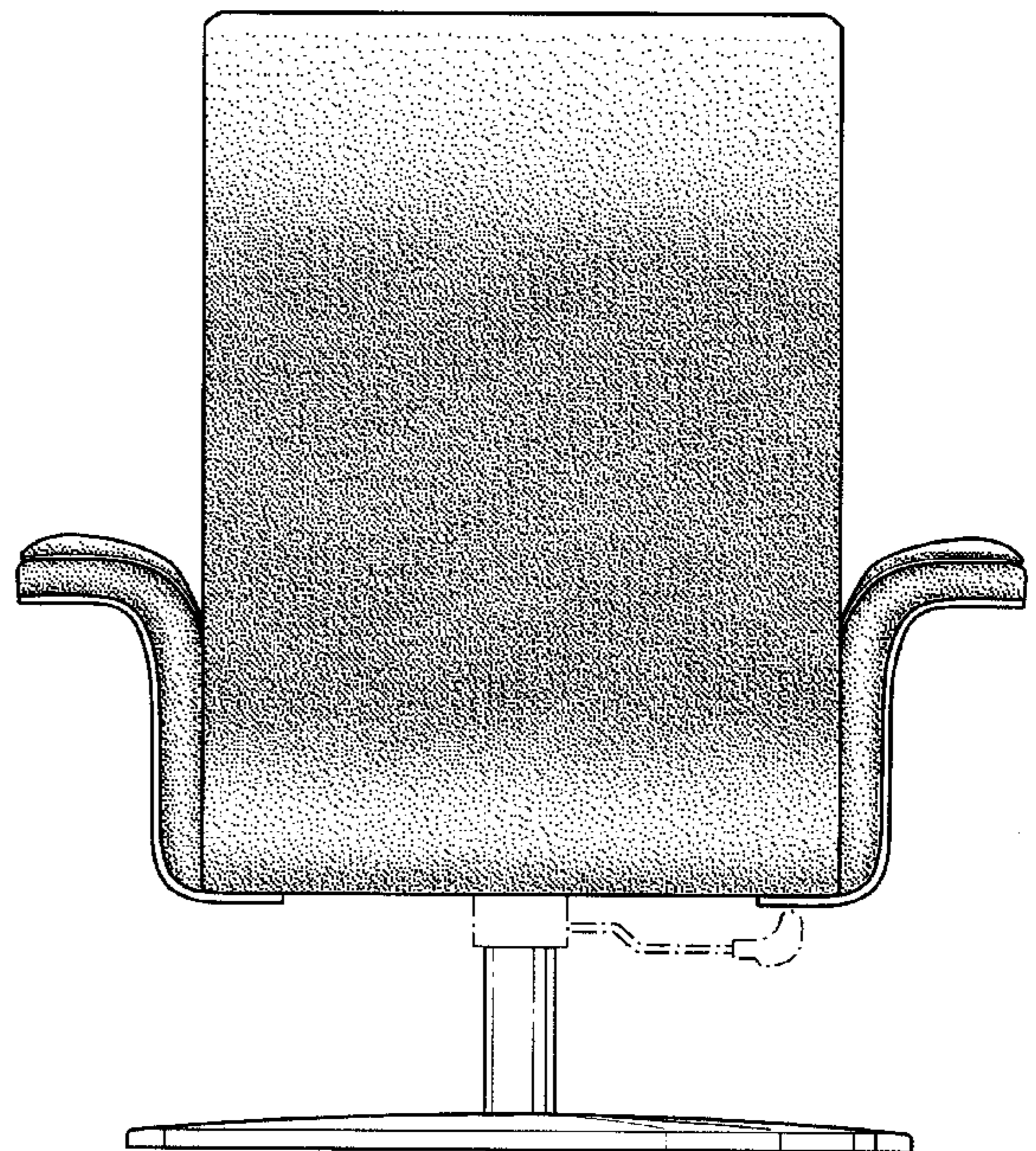
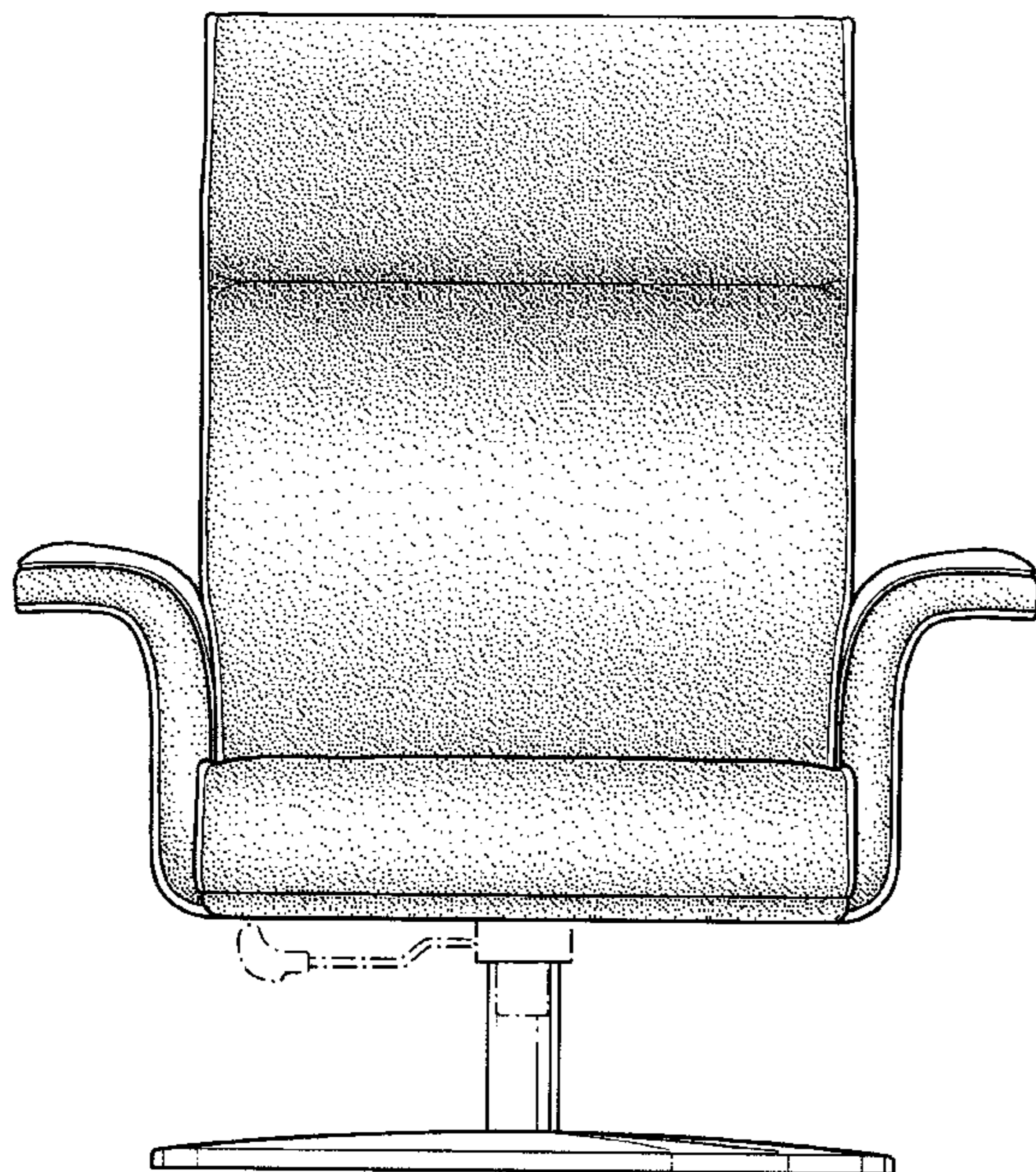
(57) **CLAIM**

The ornamental design for a chair, as shown and described.

DESCRIPTION

FIG. 1 is a front elevational view of the chair;
FIG. 2 is a rear elevational view thereof;
FIG. 3 is a top elevational view thereof;
FIG. 4 is a bottom elevational view thereof; and,
FIG. 5 is a side elevational view of the chair, the other side
being the mirror image thereof.

1 Claim, 5 Drawing Sheets



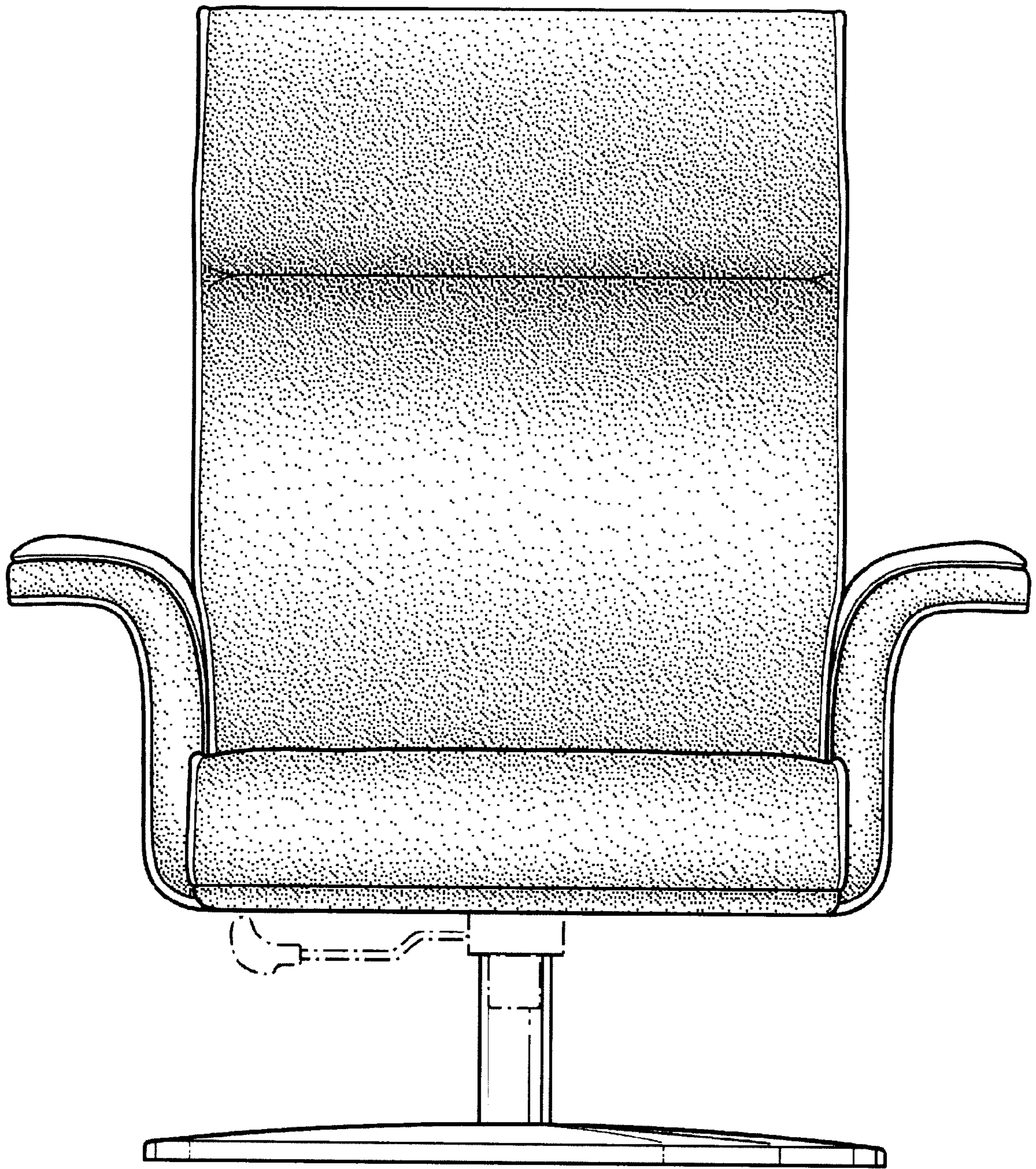


FIG. 1

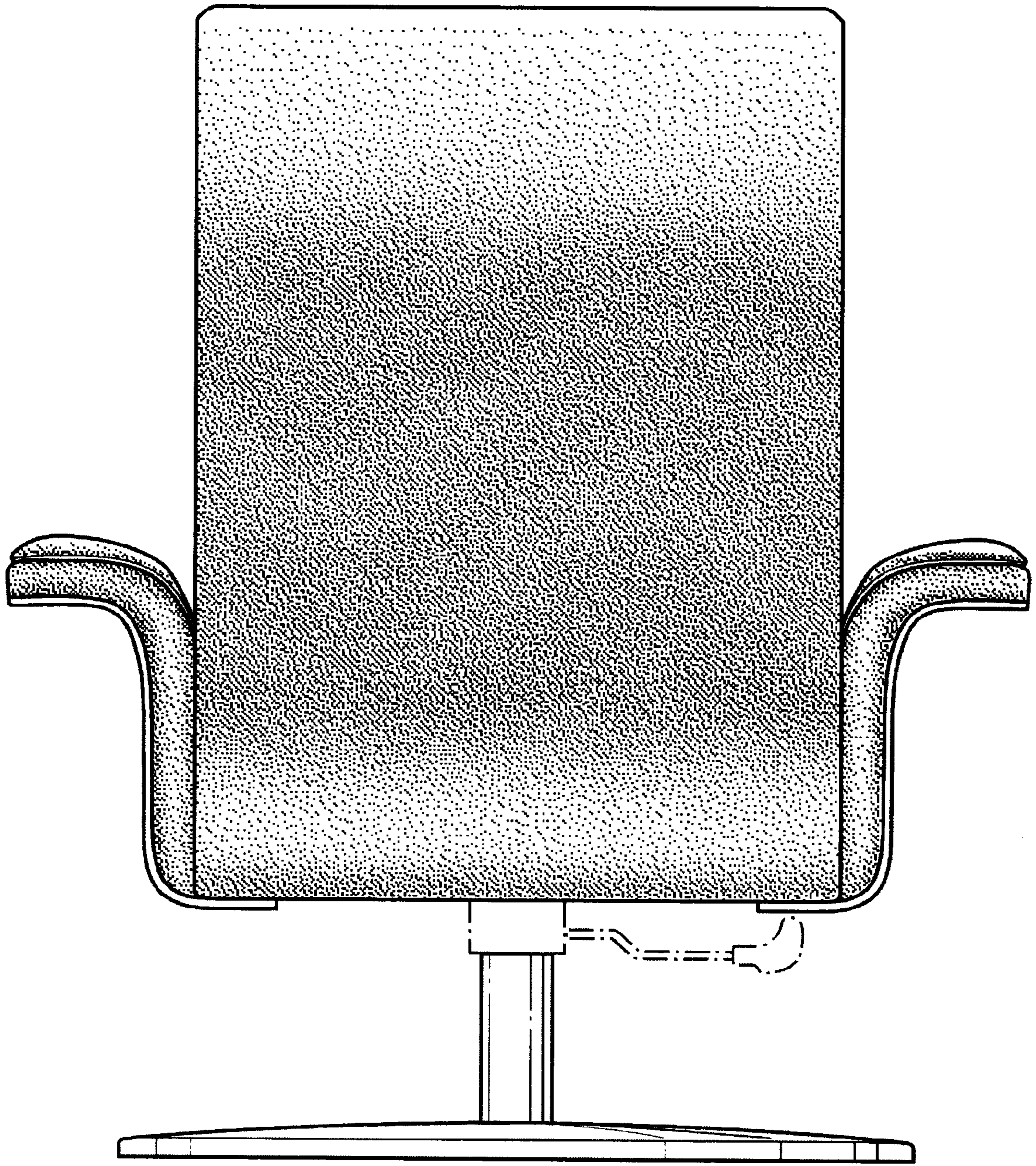


FIG. 2

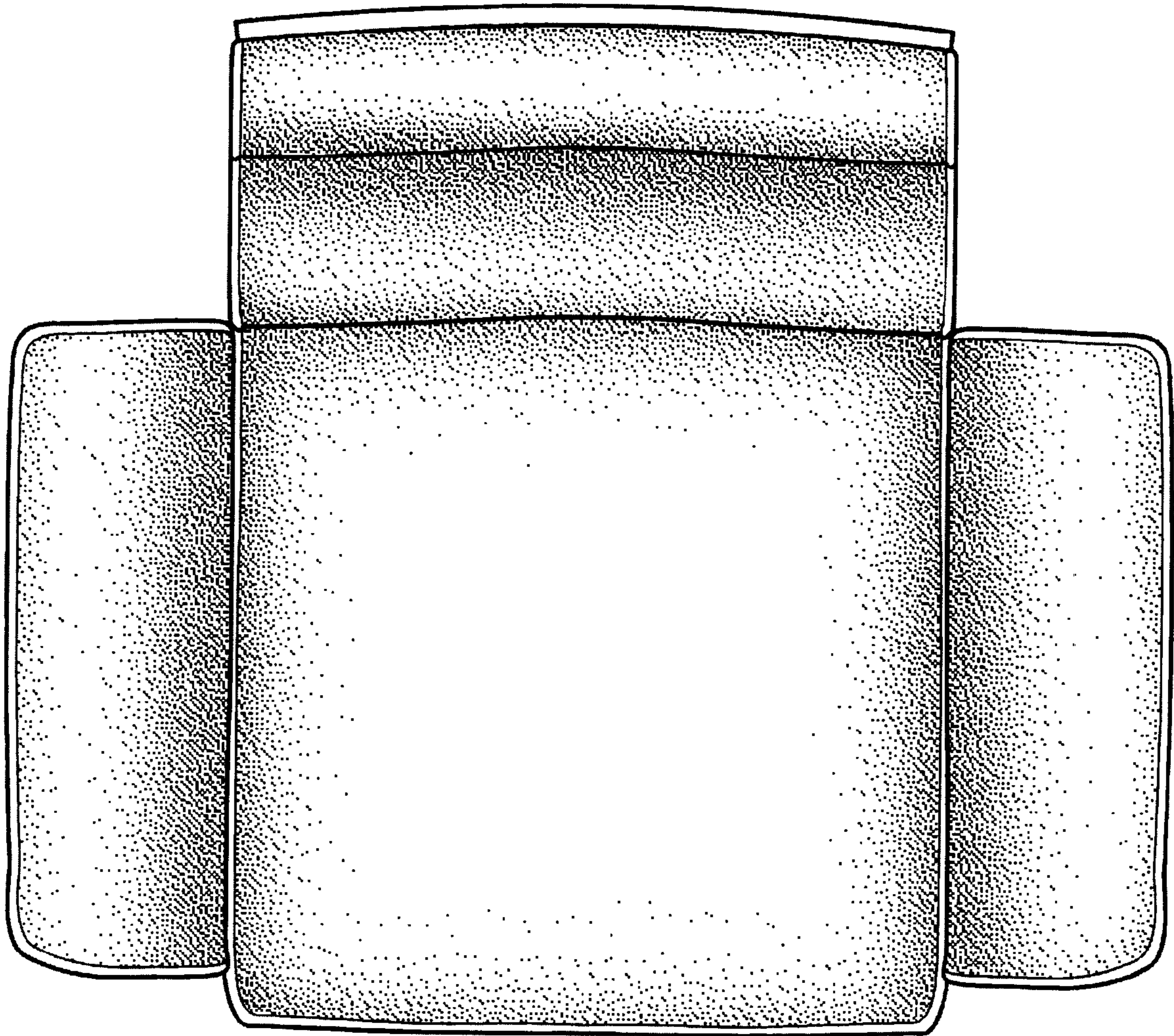


FIG. 3

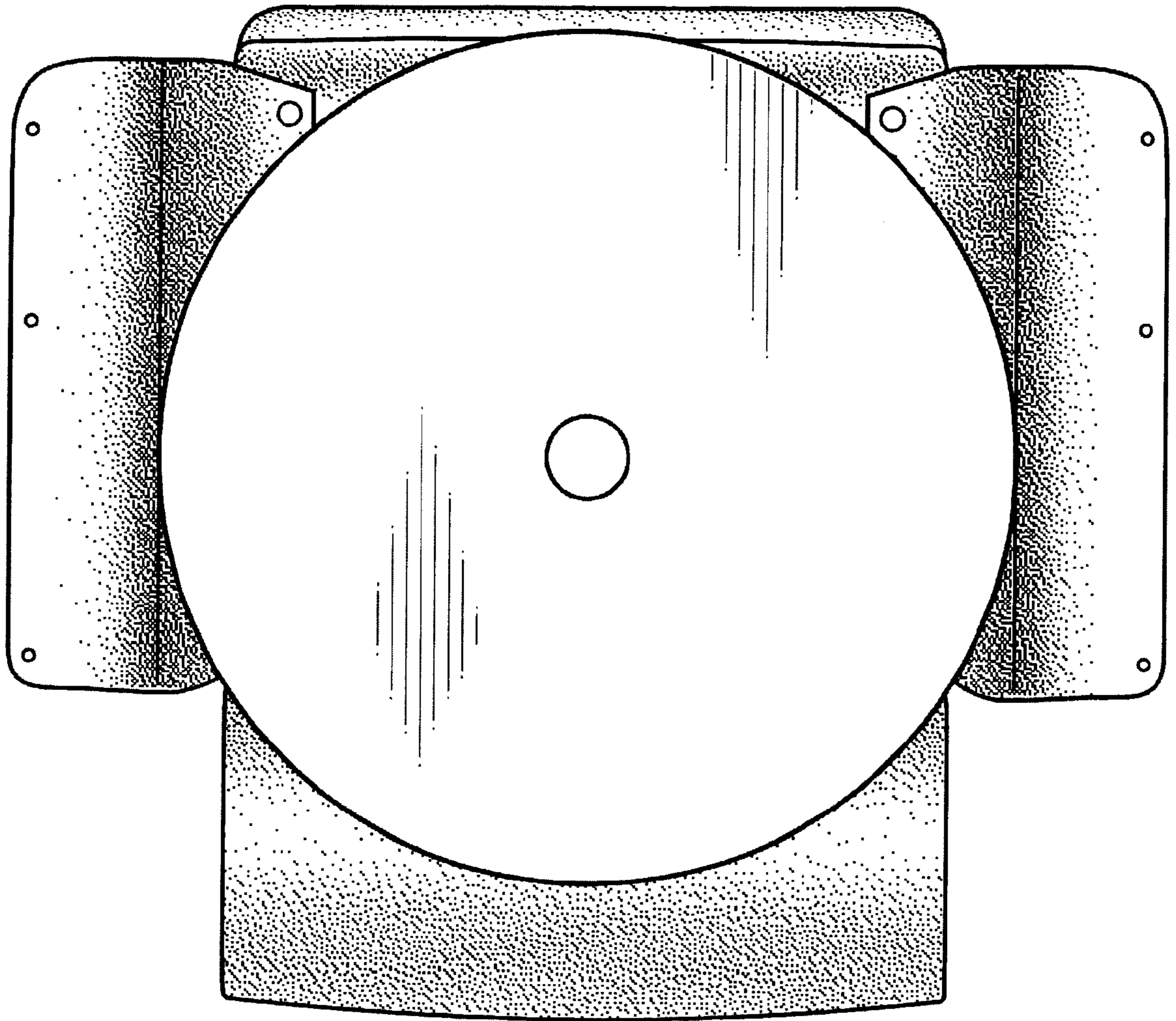


FIG. 4

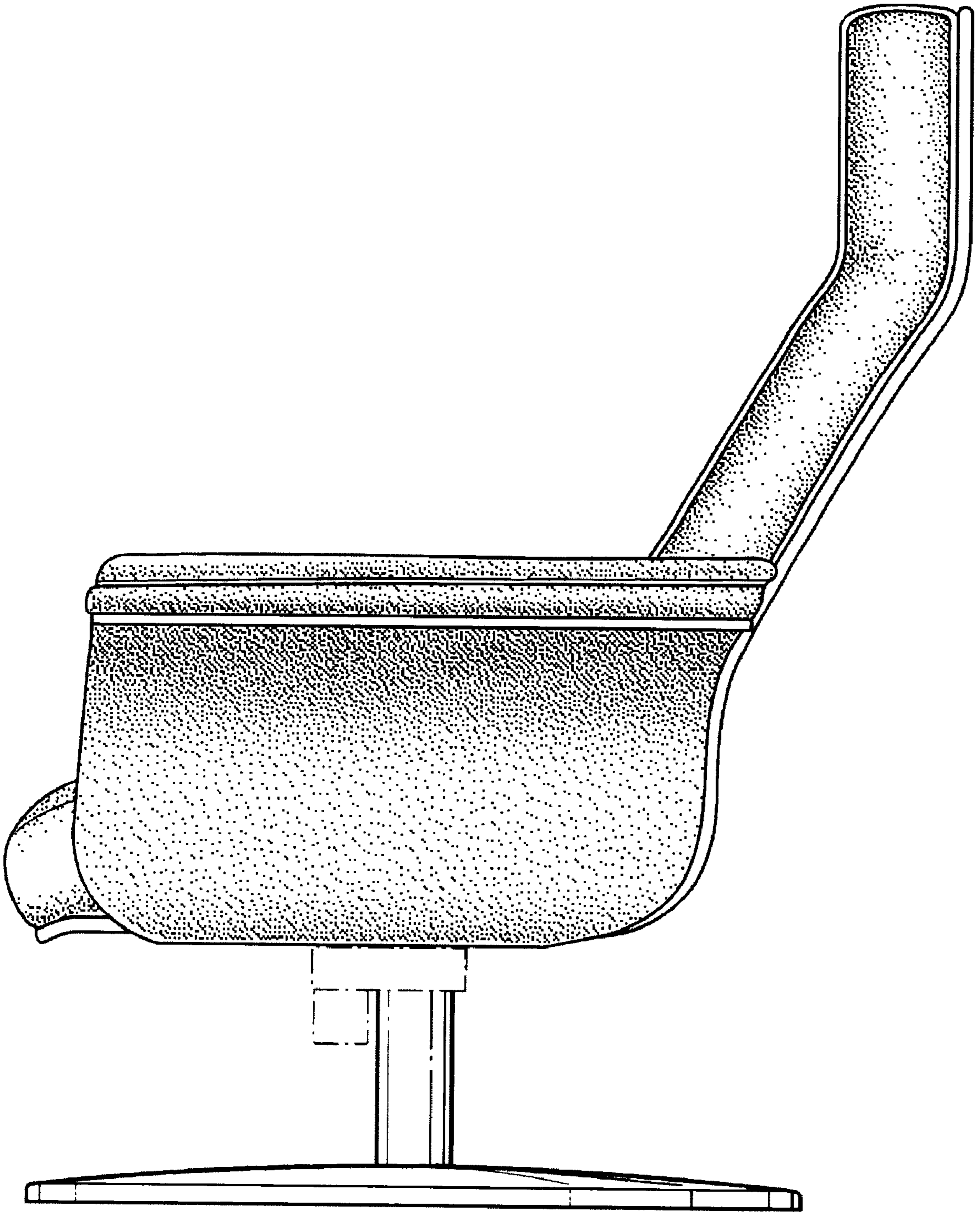


FIG. 5