



US00D458463S

(12) **United States Design Patent**
Citterio

(10) **Patent No.:** **US D458,463 S**
(45) **Date of Patent:** **** Jun. 11, 2002**

(54) **PARTITION WALL**

(75) Inventor: **Antonio Citterio**, Milan (IT)

(73) Assignee: **Vitra Patente AG**, MuttENZ (CH)

(**) Term: **14 Years**

(21) Appl. No.: **29/140,302**

(22) Filed: **Apr. 16, 2001**

(30) **Foreign Application Priority Data**

Oct. 16, 2000 (XH) DM/053 643

(51) **LOC (7) Cl.** **06-06**

(52) **U.S. Cl.** **D6/332**

(58) **Field of Search** D6/332, 396, 414,
D6/421, 426, 449, 491, 492, 397, 509;
D25/58; 108/50, 50.11, 60, 61; 135/901;
160/135, 351; 211/180; 312/4-6, 194, 195,
265.1, 265.4

(56) **References Cited**

U.S. PATENT DOCUMENTS

D217,259 S * 4/1970 Cohn et al. D6/332
D304,526 S * 11/1989 Moss D6/332
D353,946 S * 1/1995 Fischer et al. D6/332

D385,044 S * 10/1997 Johnson D25/58
5,875,597 A * 3/1999 Gingrich et al. 52/239
5,881,789 A * 3/1999 Melashenko et al. 160/135
6,009,930 A * 1/2000 Jantschek 160/135
6,068,041 A * 5/2000 Miles et al. 160/135
6,161,320 A * 12/2000 Peterson 160/135 X
6,213,191 B1 * 4/2001 Nitzsche 160/351
6,293,328 B1 * 9/2001 Fremont 160/135
D449,169 S * 10/2001 Bennie et al. D6/332

* cited by examiner

Primary Examiner—Cathron C. Brooks

(74) *Attorney, Agent, or Firm*—Selitto, Behr & Kim

(57) **CLAIM**

The ornamental design for a partition wall, as shown.

DESCRIPTION

FIG. 1 is a front perspective view of a partition wall showing my new design;

FIG. 2 is a front elevational view thereof;

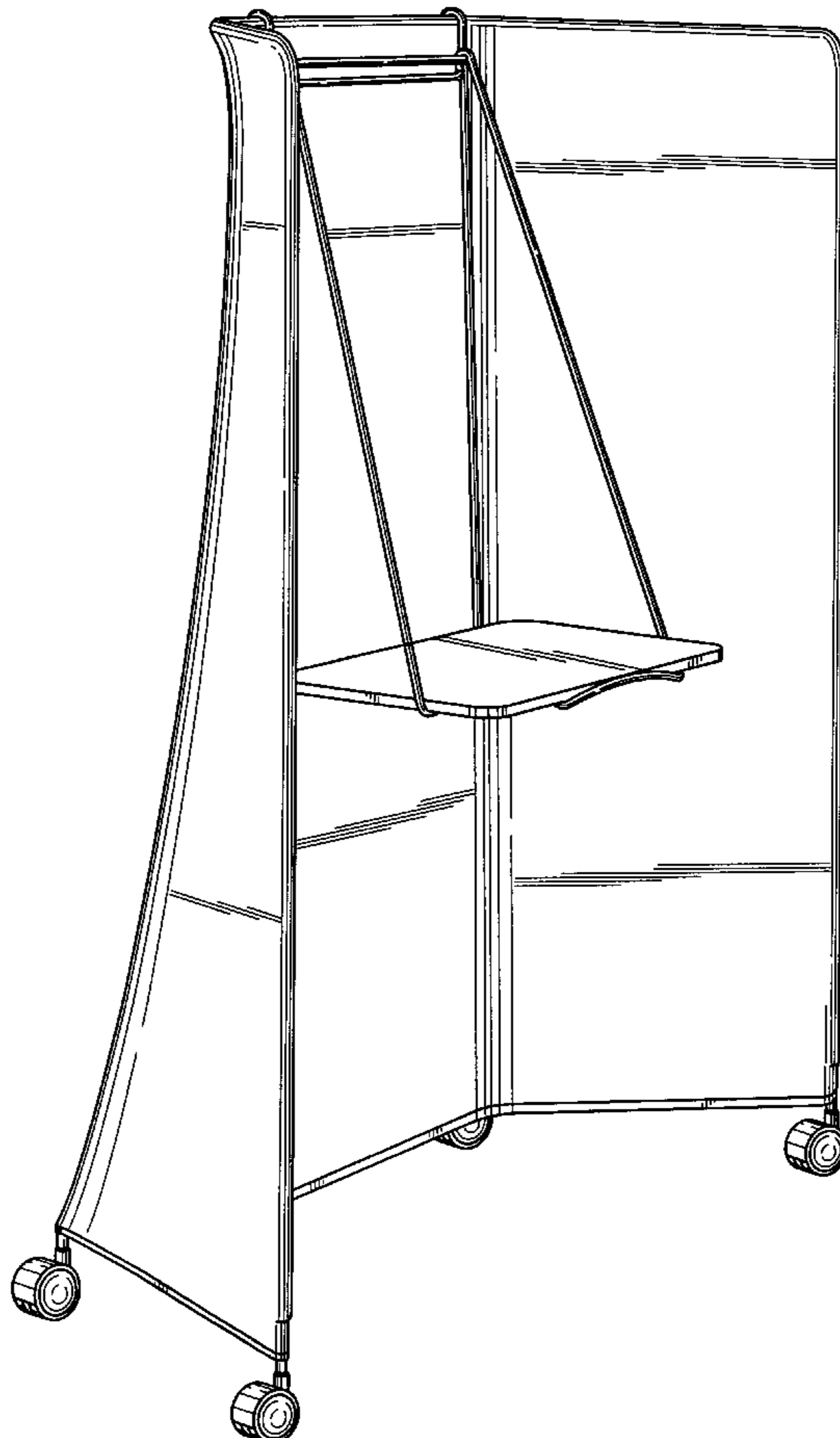
FIG. 3 is a rear elevational view thereof;

FIG. 4 is a right side elevational view thereof, the left side elevational view being a mirror image thereof;

FIG. 5 is a top plan view thereof; and,

FIG. 6 is a bottom plan view thereof.

1 Claim, 5 Drawing Sheets



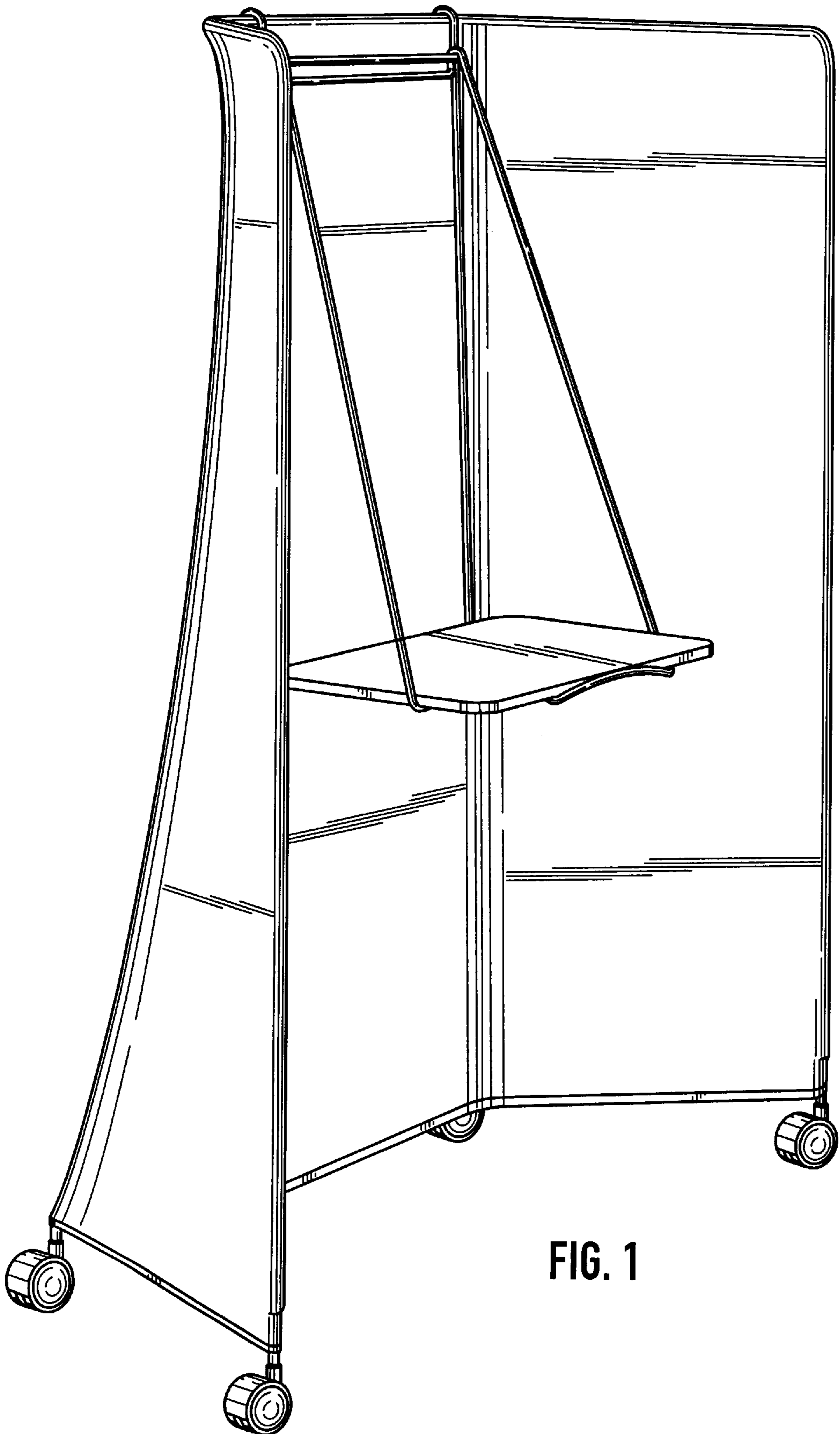


FIG. 1

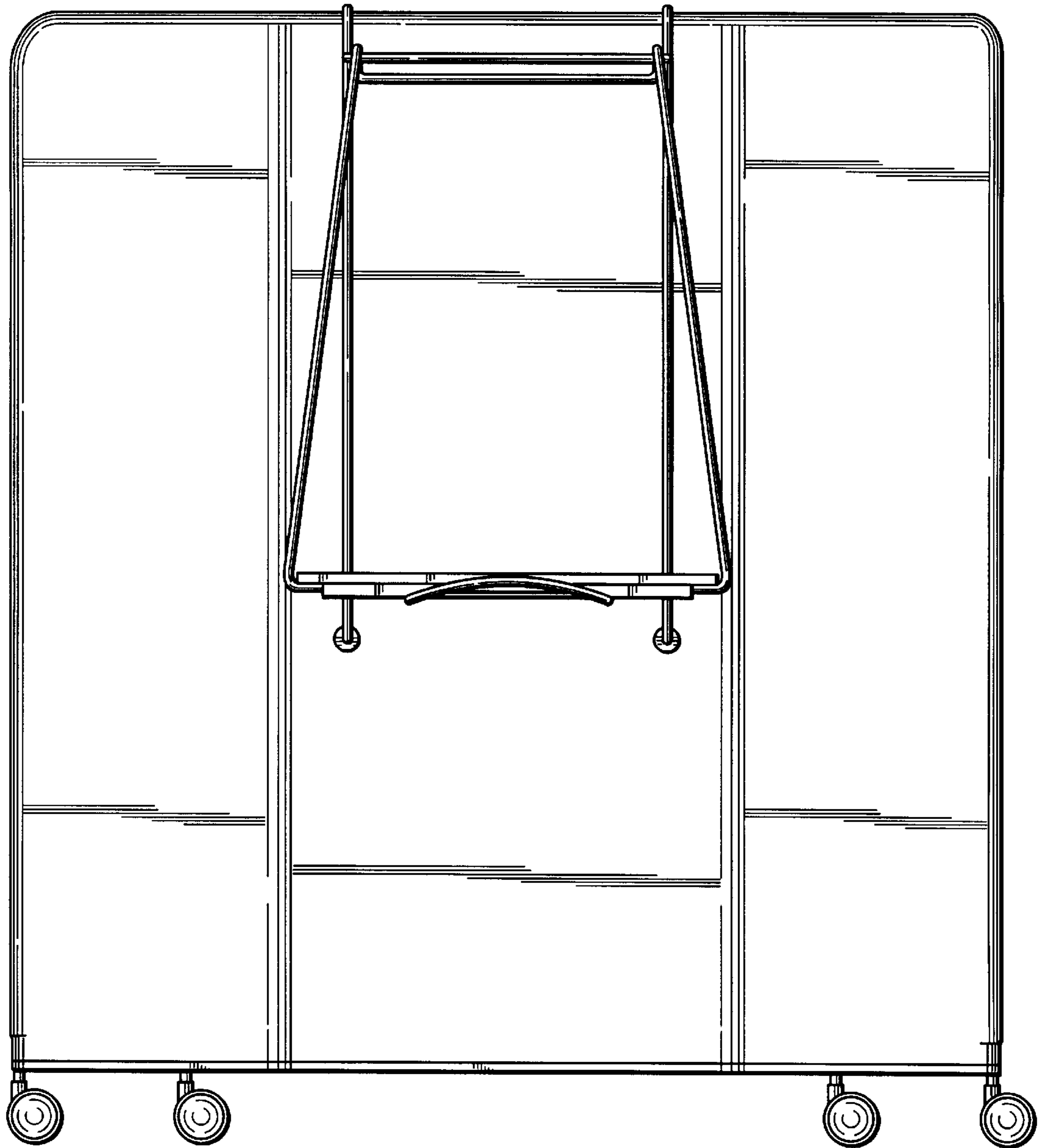


FIG. 2

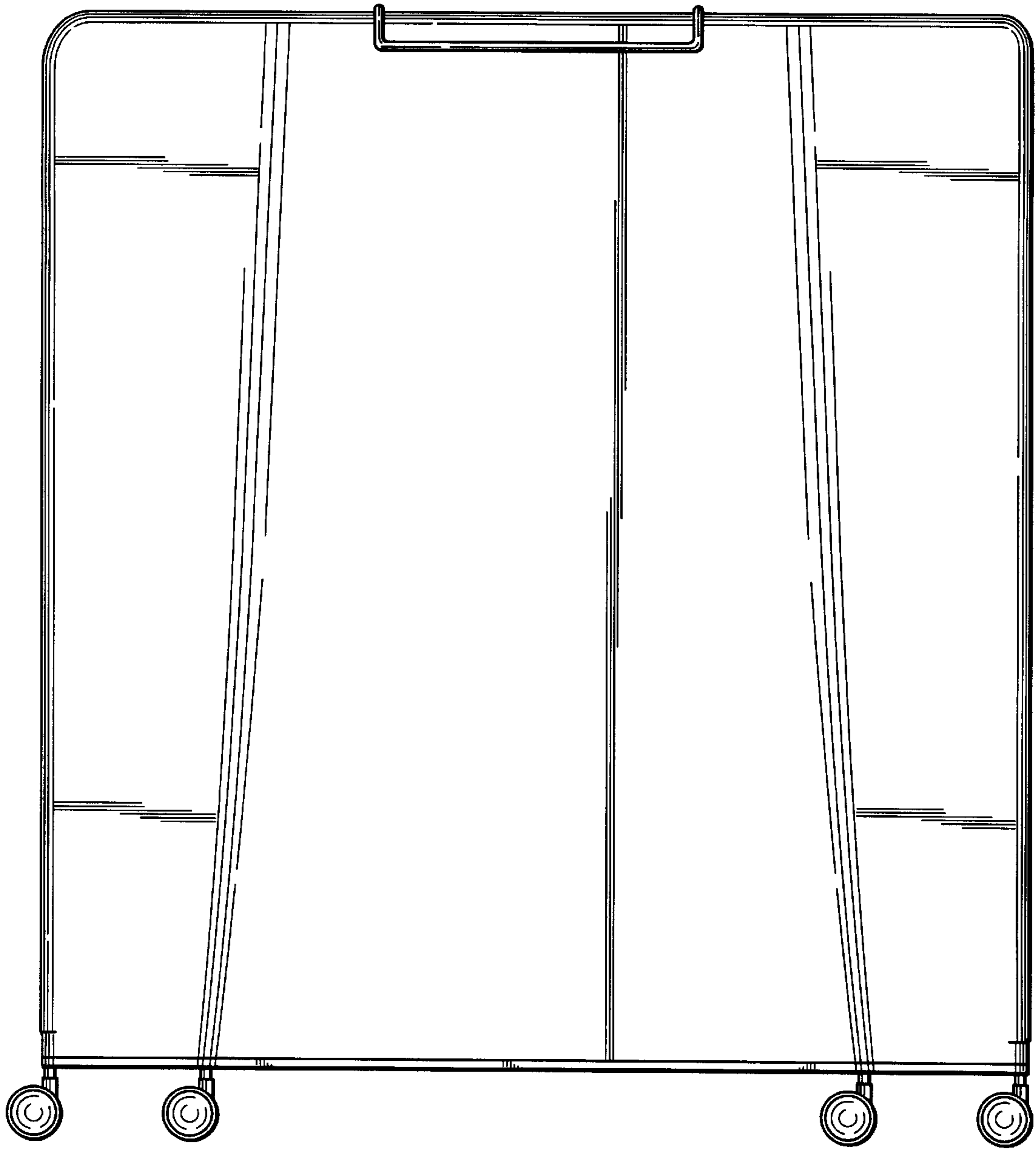


FIG. 3

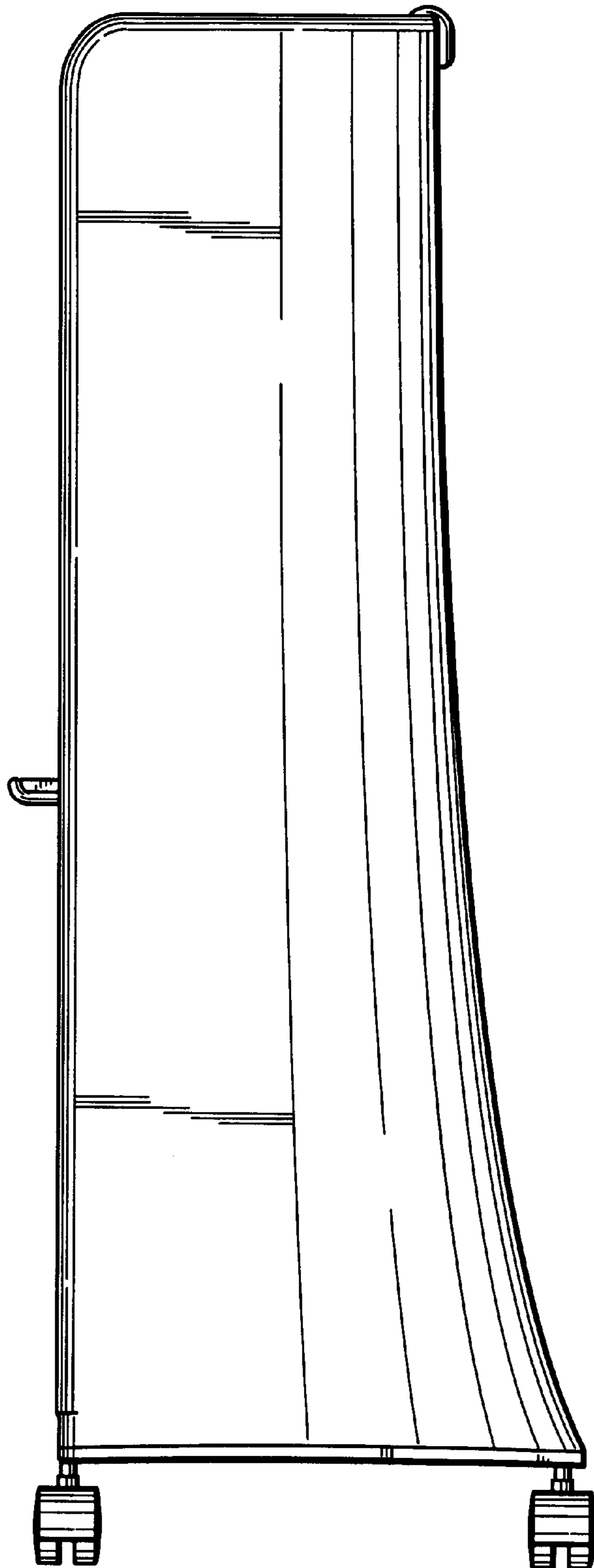


FIG. 4

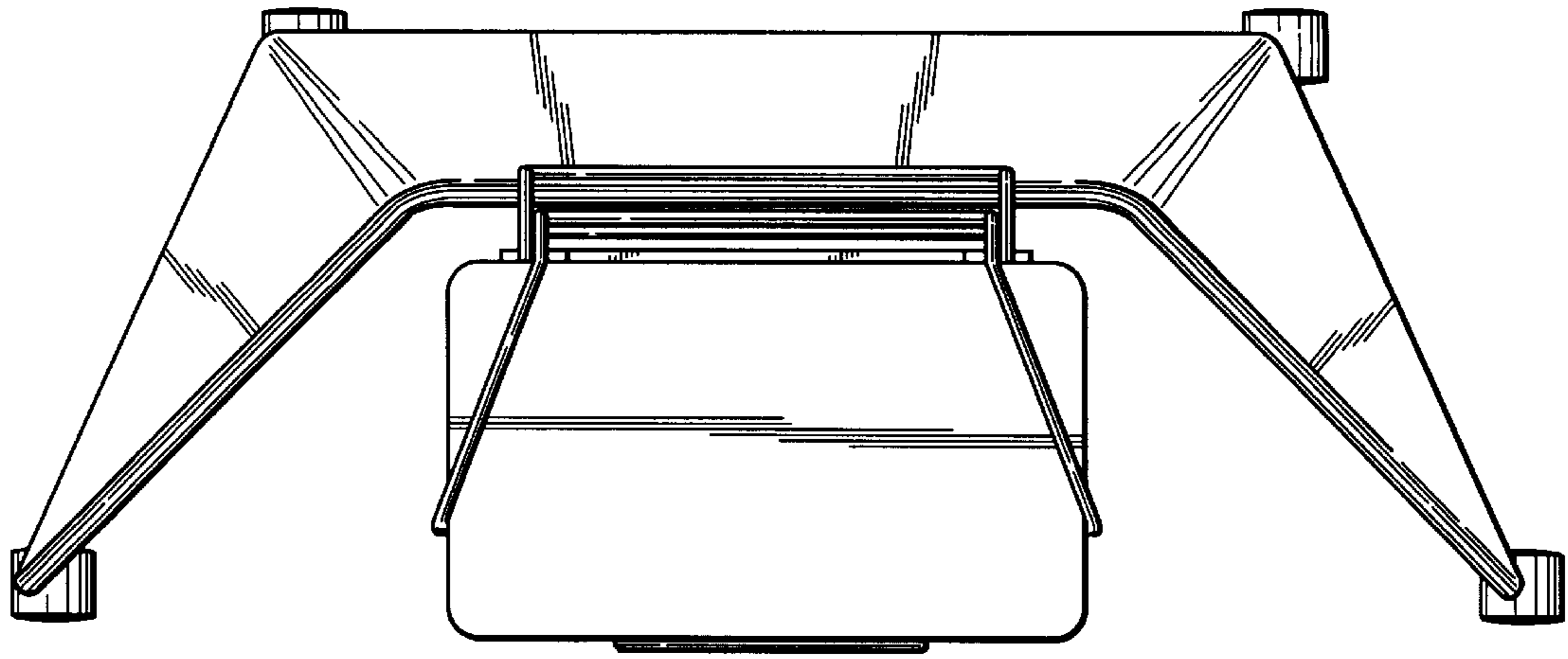


FIG. 5

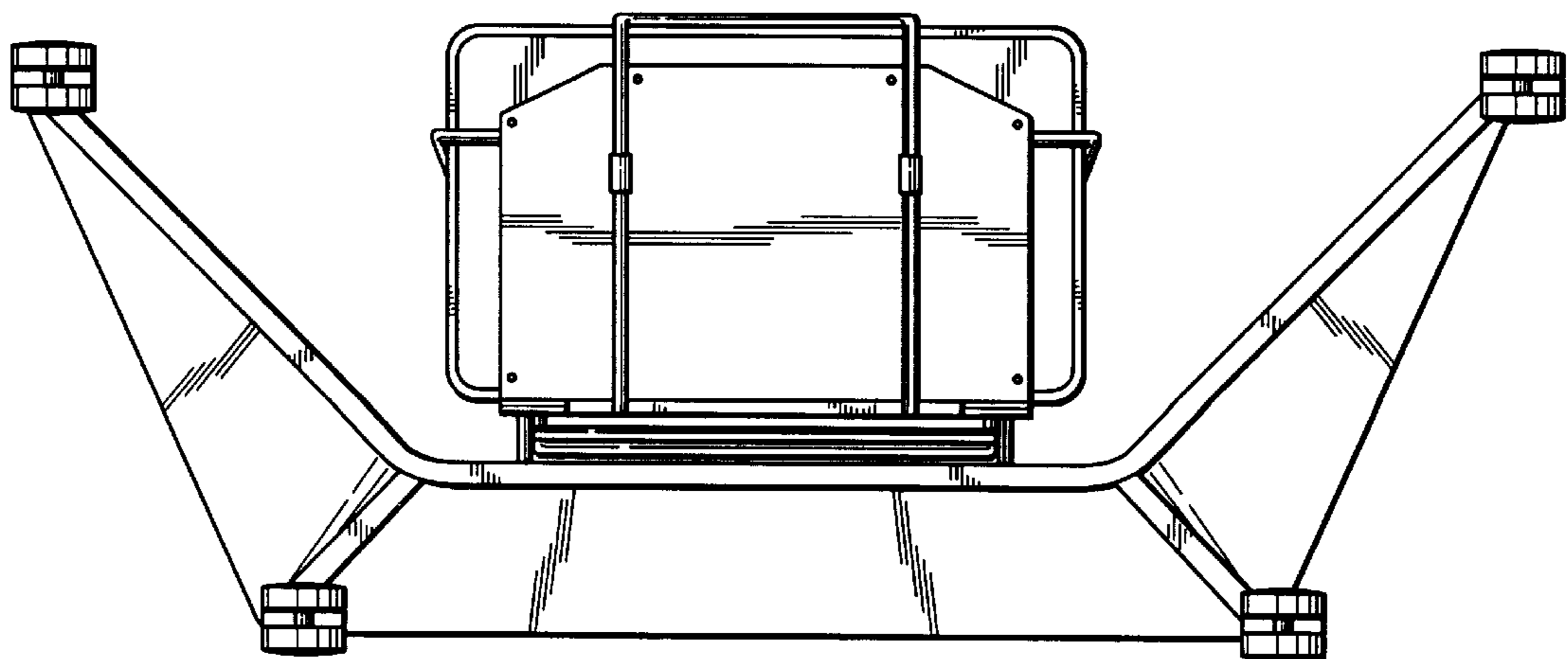


FIG. 6

UNITED STATES PATENT AND TRADEMARK OFFICE
CERTIFICATE OF CORRECTION

PATENT NO. : Des. 458,463 S
DATED : June 11, 2002
INVENTOR(S) : Antonio Citterio

Page 1 of 1

It is certified that error appears in the above-identified patent and that said Letters Patent is hereby corrected as shown below:

Title page,
Item [75], Inventor, the place of residence (city) should read
-- Milano -- rather than "Milan"

Signed and Sealed this

Twenty-eighth Day of October, 2003

A handwritten signature in black ink, appearing to read "James E. Rogan", with a horizontal line underneath it.

JAMES E. ROGAN
Director of the United States Patent and Trademark Office