



US00D458457S

(12) **United States Design Patent**
Sugano et al.

(10) **Patent No.:** **US D458,457 S**
(45) **Date of Patent:** **** Jun. 11, 2002**

(54) **WIPING INSTRUMENT**

(75) Inventors: **Isao Sugano**, Tokyo; **Hiroshi Toriumi**;
Sizuo Furukawa, both of Yokohama,
all of (JP)

(73) Assignee: **Kabushiki Kaisha Hoky Giken**, Tokyo
(JP)

(**) Term: **14 Years**

(21) Appl. No.: **29/142,381**

(22) Filed: **May 25, 2001**

(30) **Foreign Application Priority Data**

Nov. 27, 2000 (JP) 2000-033686

(51) **LOC (7) Cl.** **04-01**

(52) **U.S. Cl.** **D4/132**

(58) **Field of Search** D4/130, 132, 134,
D4/137, 138; D32/40, 50-52; 15/118, 143.1,
159.1, 160, 186, 187, 210.1, 220.1, 232,
228, 235, 144.1

(56) **References Cited**

U.S. PATENT DOCUMENTS

4,127,911 A * 12/1978 Cupp et al. 15/210.1
4,300,258 A * 11/1981 Burns et al. 15/210.1

4,455,705 A * 6/1984 Graham 15/144.1 X
4,658,461 A * 4/1987 Roe et al. 15/210.1
D409,343 S * 5/1999 Kingry et al. D32/50

FOREIGN PATENT DOCUMENTS

JP 1014110 7/1998

* cited by examiner

Primary Examiner—Alan P. Douglas

Assistant Examiner—Lavone Tabor

(74) *Attorney, Agent, or Firm*—Birch, Stewart, Kolasch &
Birch, LLP

(57) **CLAIM**

The ornamental design for a wiping instrument, as shown
and described.

DESCRIPTION

FIG. 1 is a front, right perspective view of the wiping
instrument showing our new design;
FIG. 2 is a top plan view thereof;
FIG. 3 is a front elevational view thereof;
FIG. 4 is a rear elevational view thereof;
FIG. 5 is a bottom plan view thereof;
FIG. 6 is a right side view thereof, the left side view being
a mirror image thereof; and,
FIG. 7 is a section view taken along line A—A of FIG. 6.

1 Claim, 3 Drawing Sheets

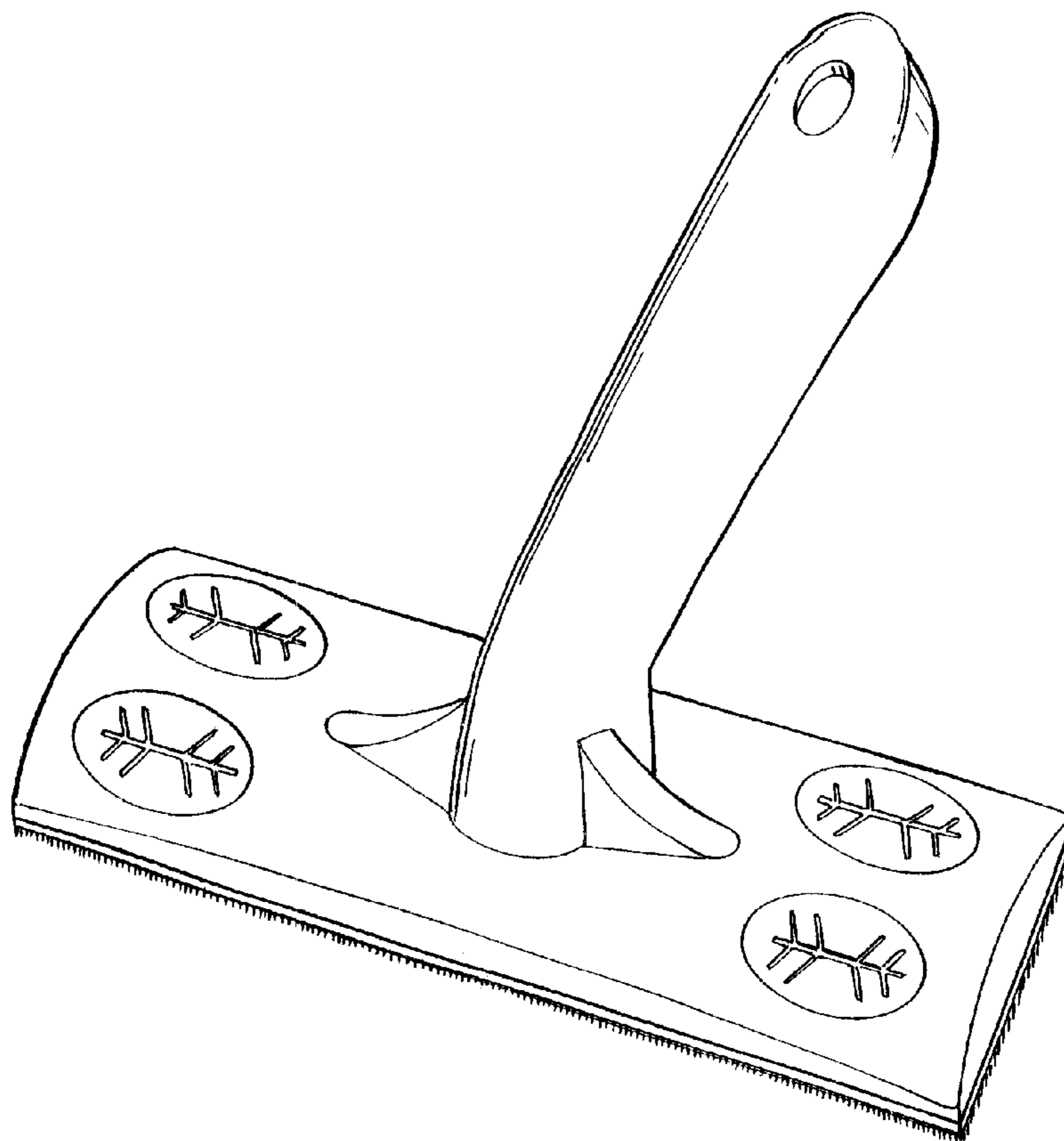


FIG. 1

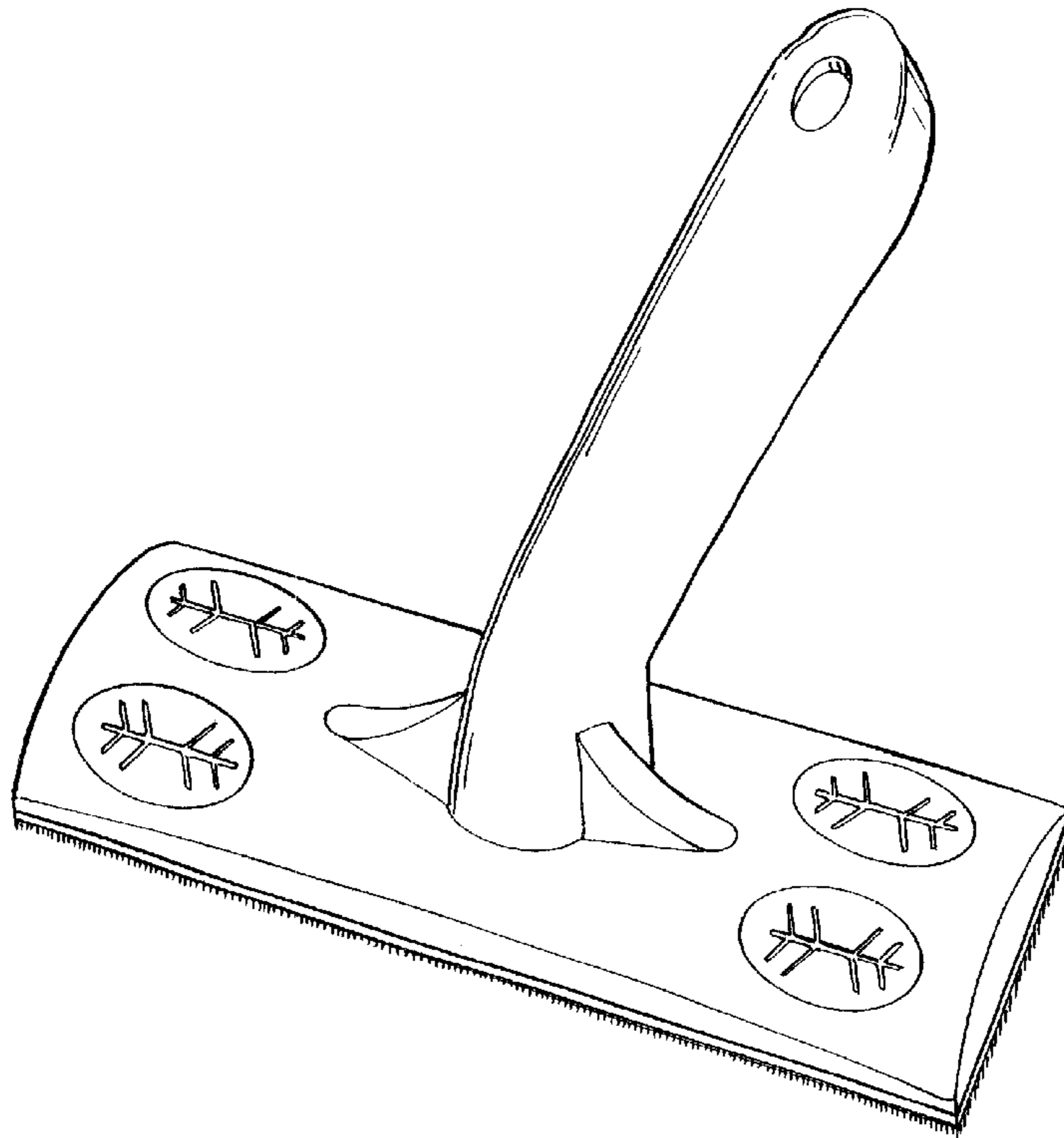


FIG. 2

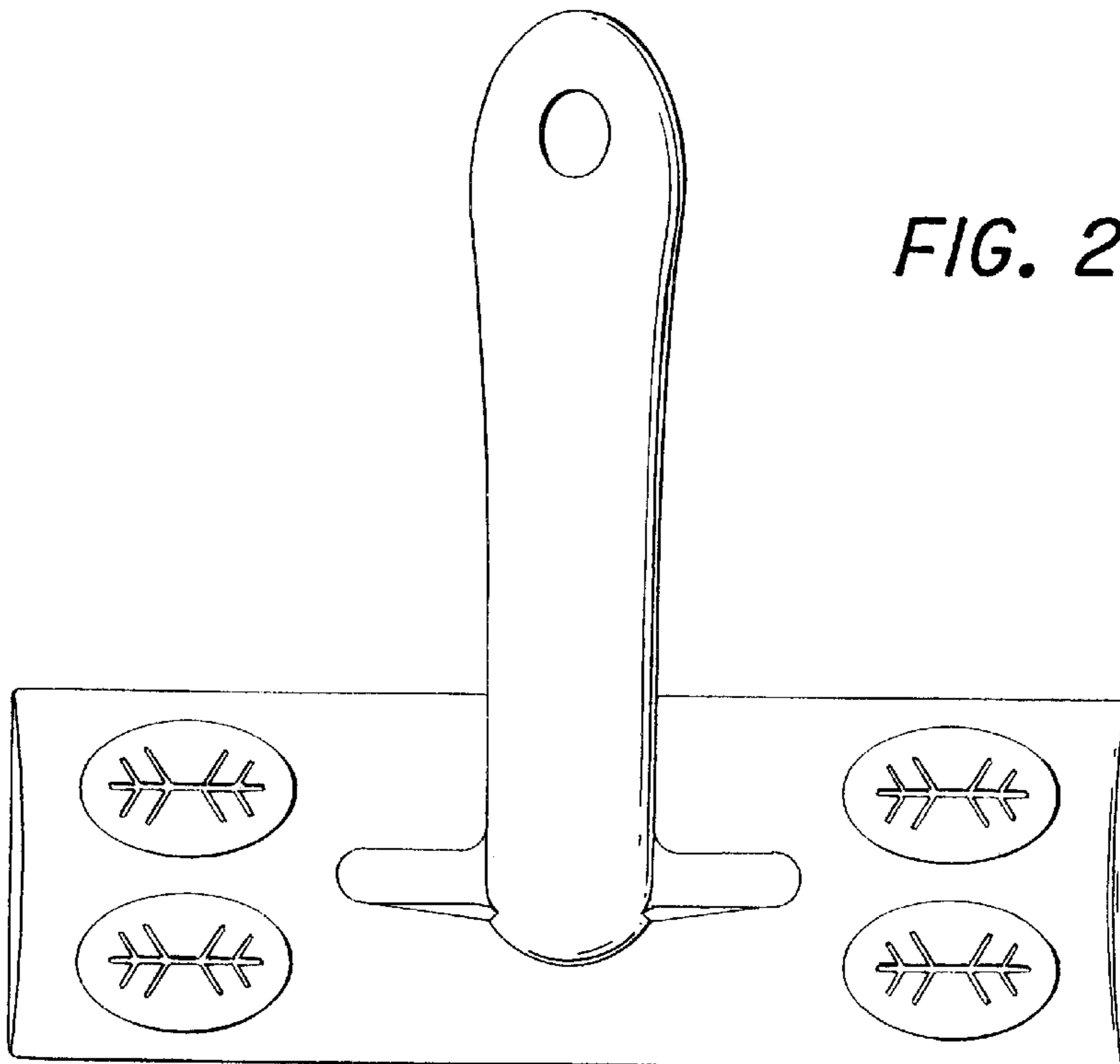


FIG. 3

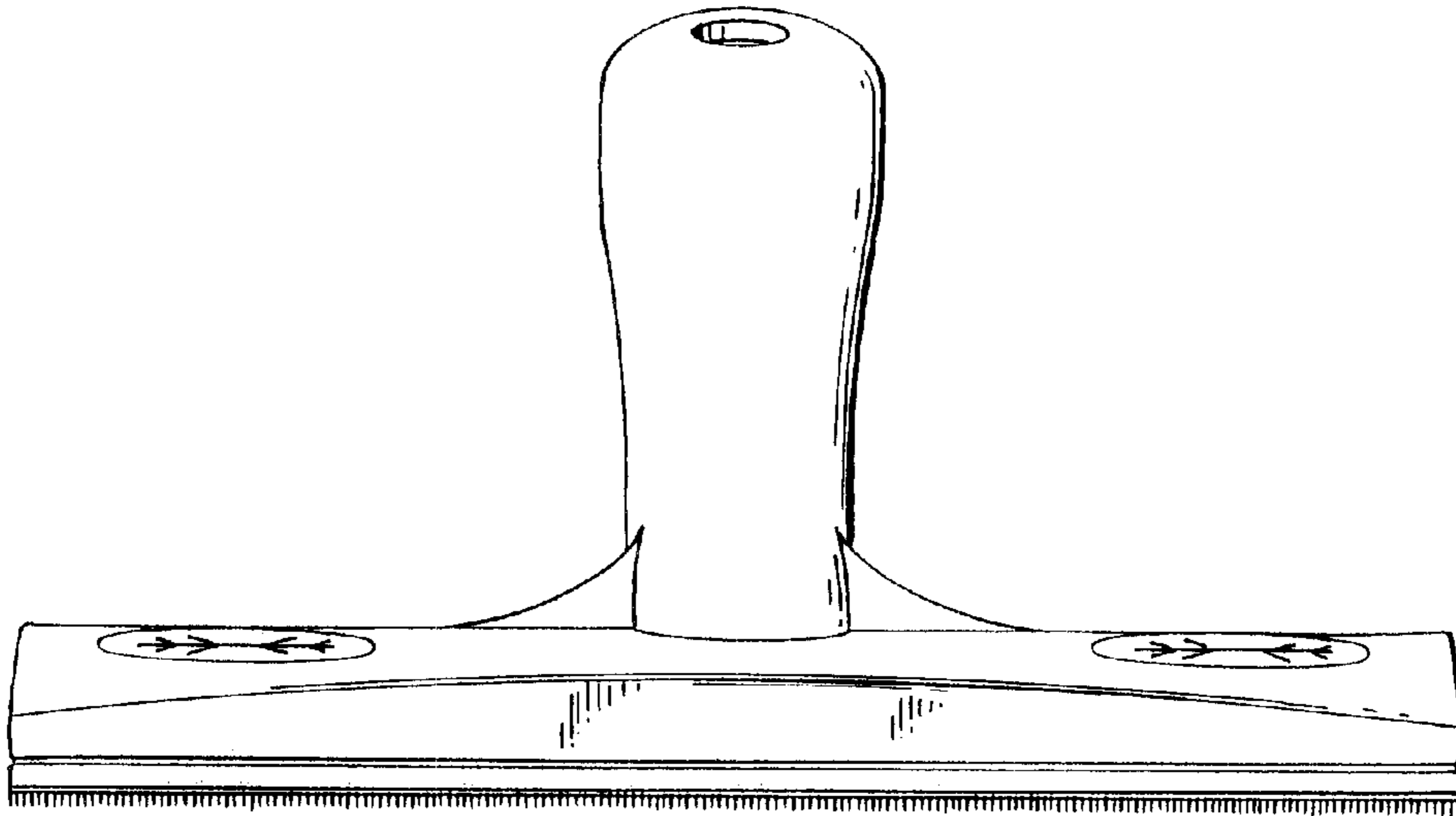


FIG. 4

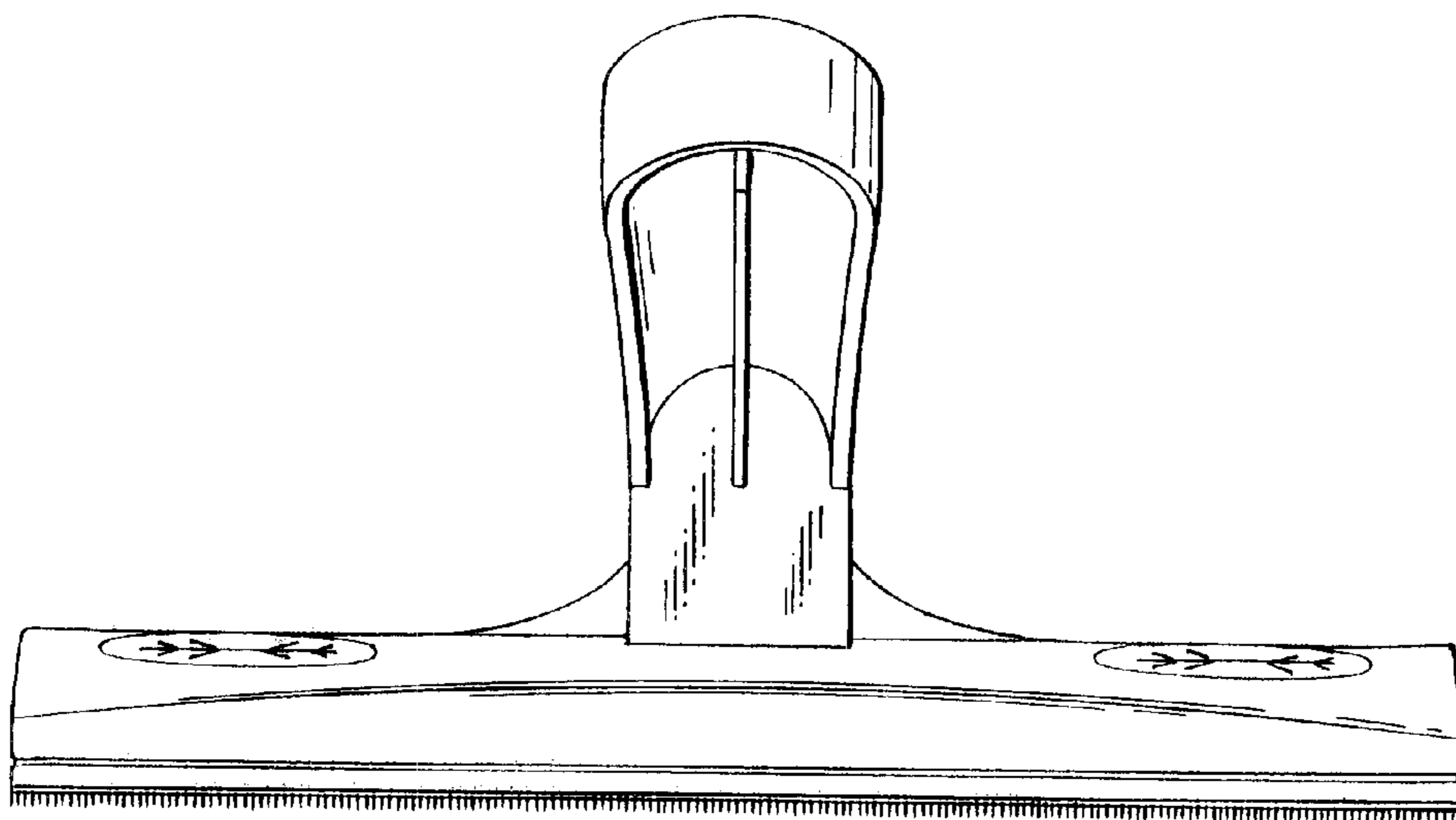


FIG. 5

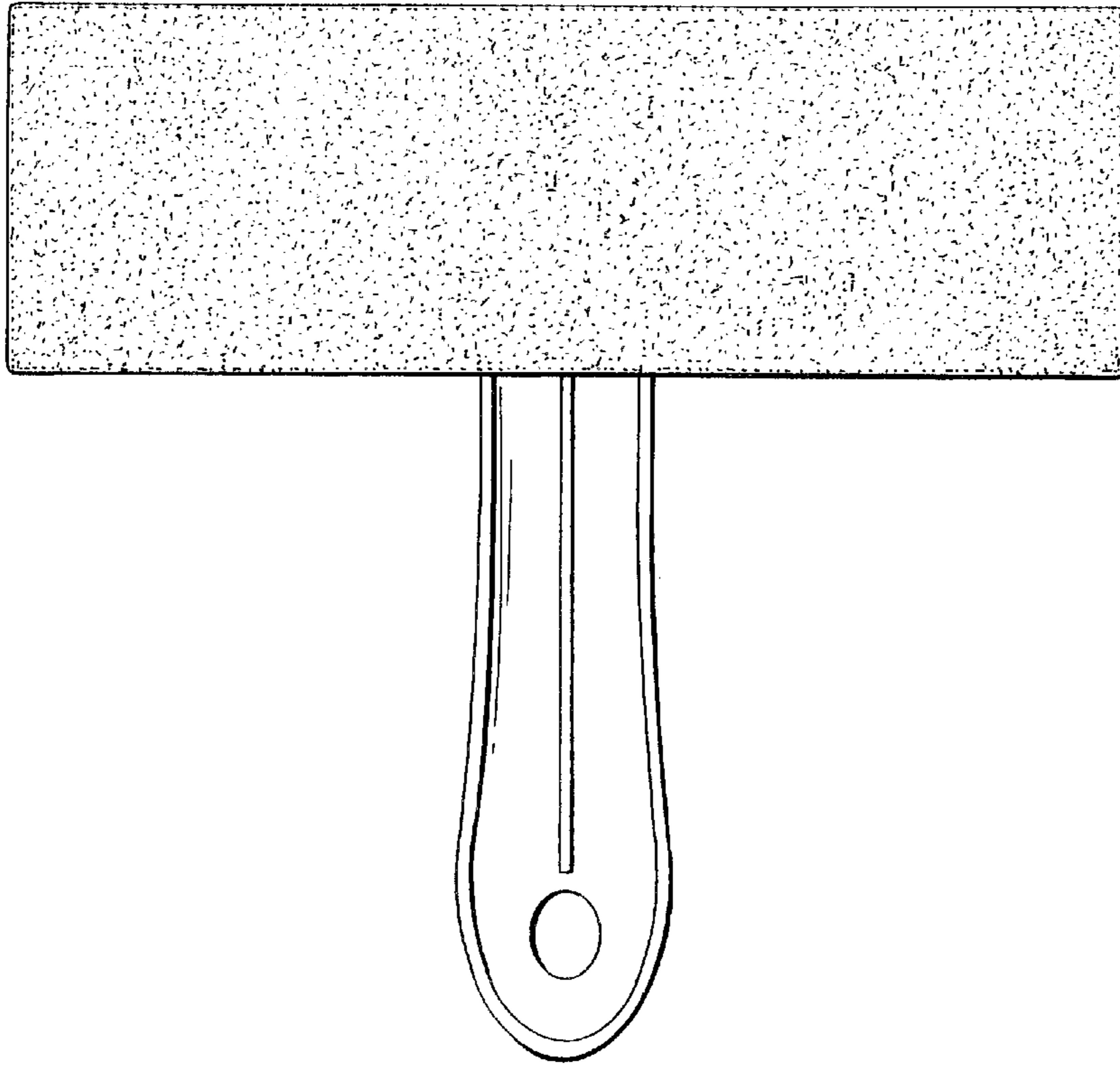


FIG. 6

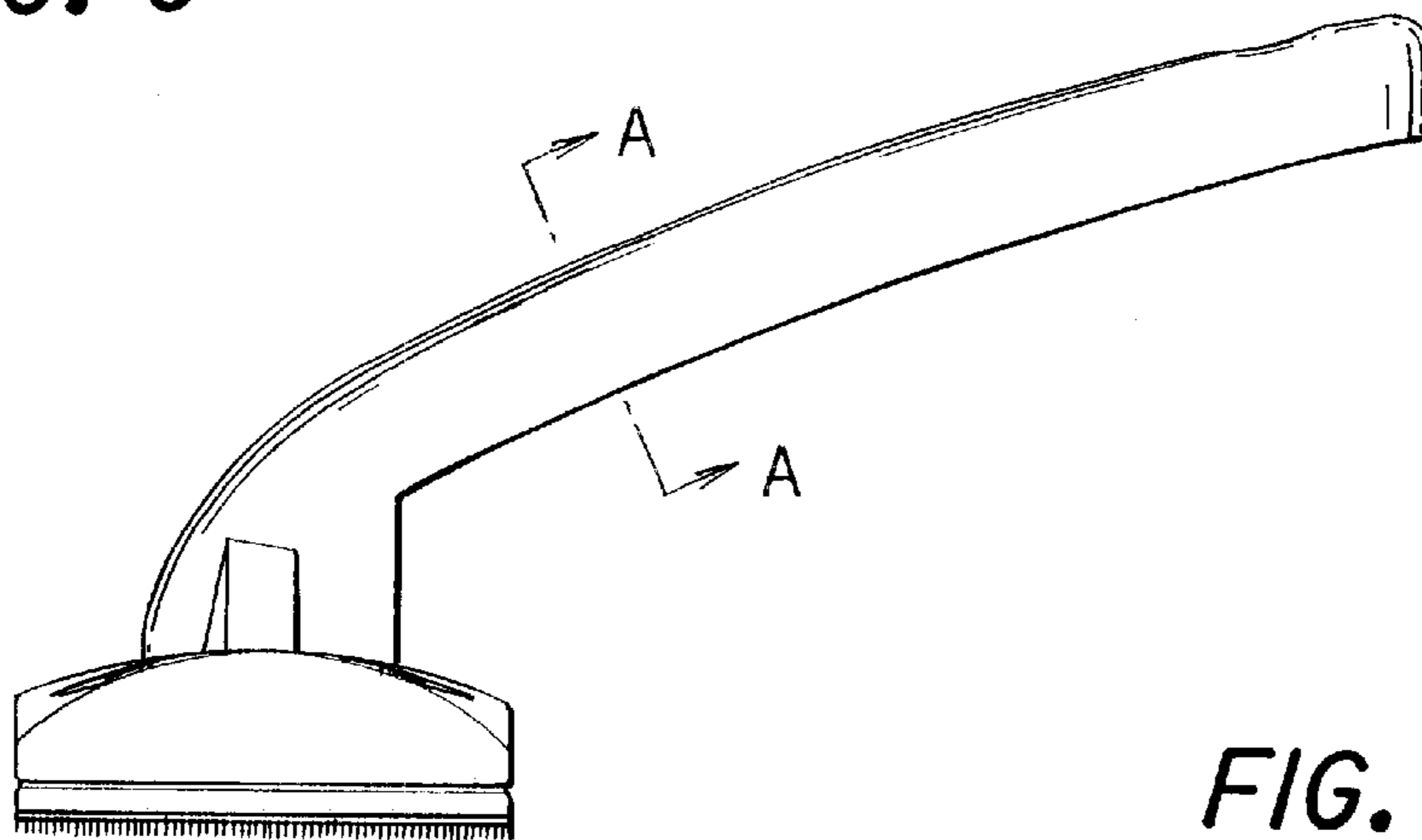


FIG. 7

