



US00D458456S

(12) **United States Design Patent**
Dragan et al.

(10) **Patent No.:** **US D458,456 S**
(45) **Date of Patent:** **** Jun. 11, 2002**

(54) **DOUBLE ENDED APPLICATOR**
(75) Inventors: **William B. Dragan**, Easton; **Gordon Rowe**, Wallingford, both of CT (US)
(73) Assignee: **Centrix, Inc.**, Shelton, CT (US)
(**) Term: **14 Years**

D385,964 S 11/1997 Mark
D392,465 S 3/1998 Mark
D403,768 S 1/1999 Mark et al.
D408,080 S 4/1999 Mark
D409,914 S 5/1999 Mark
D413,381 S 8/1999 Mark
D417,277 S 11/1999 Maissami
6,049,934 A 4/2000 Discko
D435,106 S * 12/2000 Tang D24/176

(21) Appl. No.: **29/139,268**
(22) Filed: **Mar. 26, 2001**

* cited by examiner
Primary Examiner—Alan P. Douglas
Assistant Examiner—Lavone Tabor
(74) *Attorney, Agent, or Firm*—Fattibene & Fattibene; Paul A. Fattibene; Arthur T. Fattibene

(51) **LOC (7) Cl.** **04-02**
(52) **U.S. Cl.** **D4/119; D4/127; D24/119; D24/152; D24/176; D28/7**
(58) **Field of Search** D4/105, 106, 111, D4/119, 127, 135, 138; D24/119, 146, 149, 152, 176; D28/7; 15/106, 143.1, 159.1, 160, 166, 191.1; 132/313, 317; 433/141–143; 600/569, 572; 604/1

(57) **CLAIM**
The ornamental design for a double ended applicator, as shown.

(56) **References Cited**
U.S. PATENT DOCUMENTS
1,446,906 A * 2/1923 Kelsey 433/143
4,060,897 A * 12/1977 Greenstein 433/141 X
4,206,547 A 6/1980 Tanaka
D306,067 S * 2/1990 Bogdanoff et al. D24/149
5,001,803 A 3/1991 Discko, Jr.
D329,142 S 9/1992 Discko, Jr. et al.
D377,216 S 1/1997 Mark
D377,526 S 1/1997 Mark
D378,235 S 2/1997 Mark
D379,230 S 5/1997 Mark
D380,265 S 6/1997 Mark

DESCRIPTION
FIG. 1 is a side elevational view of a double ended applicator showing my new design;
FIG. 2 is a top elevational view thereof;
FIG. 3 is a bottom elevational view thereof;
FIG. 4 is an enlarged cross section taken along line 4—4 in FIG. 2;
FIG. 5 is an enlarged cross section taken along line 5—5 in FIG. 2;
FIG. 6 is an enlarged front view thereof; and,
FIG. 7 is an enlarged partial perspective view of one end thereof.

1 Claim, 1 Drawing Sheet



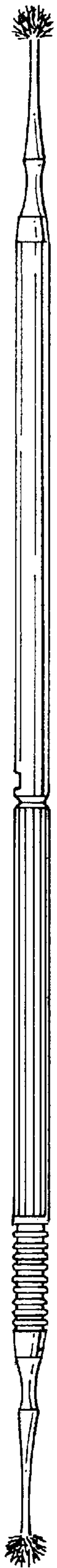


FIG. 1

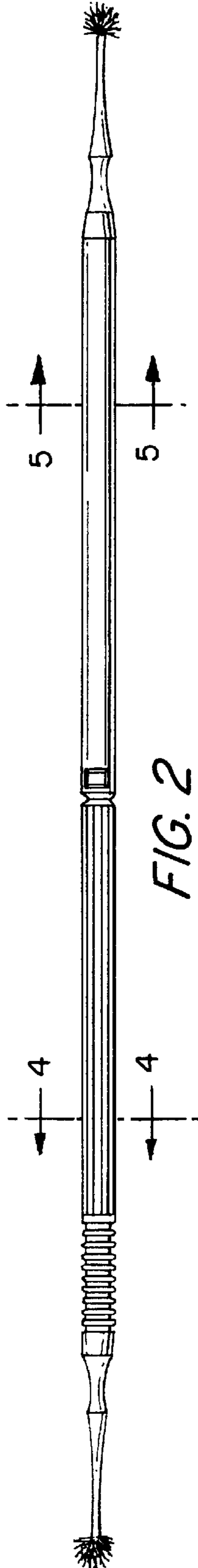


FIG. 2



FIG. 3

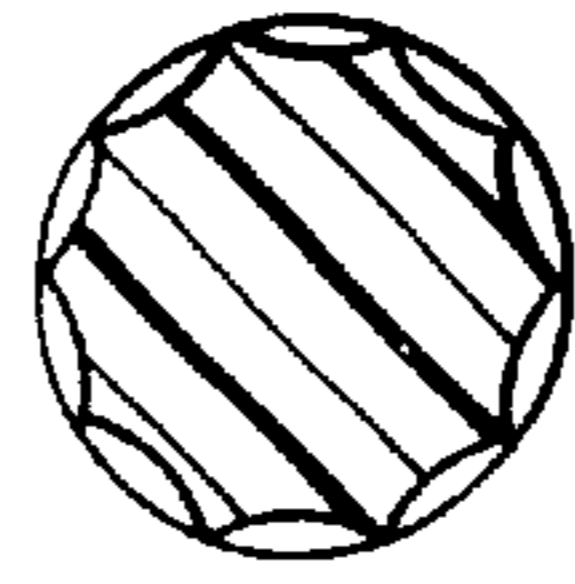


FIG. 4

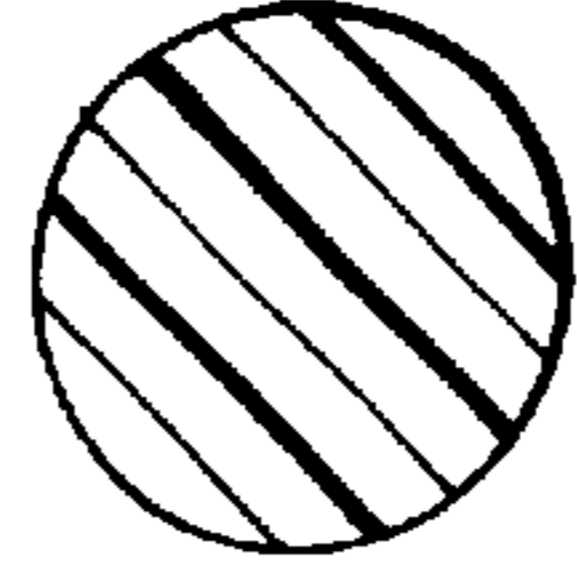


FIG. 5

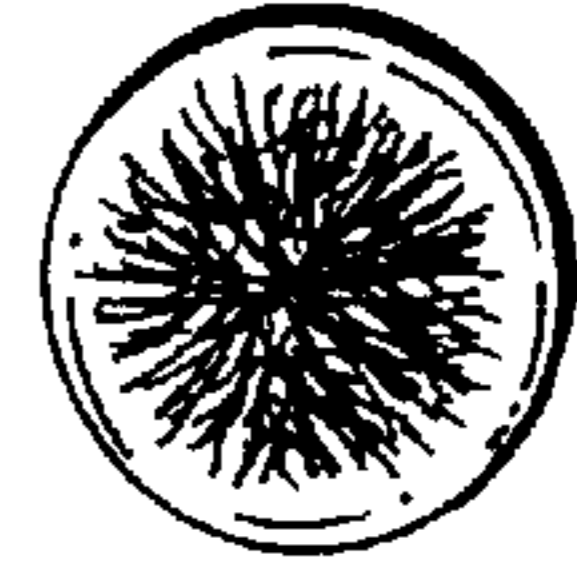


FIG. 6

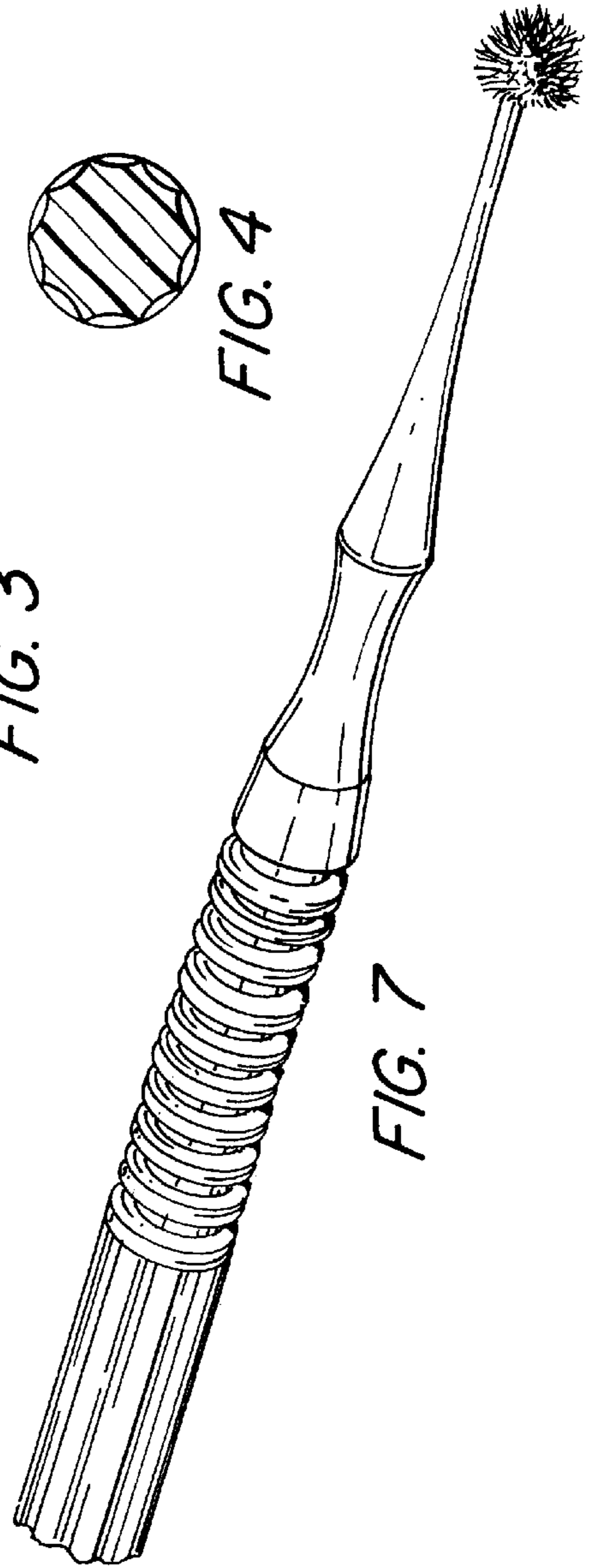


FIG. 7