



US00D458448S

(12) **United States Design Patent**
Jakab

(10) **Patent No.:** **US D458,448 S**

(45) **Date of Patent:** **** Jun. 11, 2002**

(54) **PERFORATED SHEET METAL CONTAINER**

(75) Inventor: **Mariana Jakab**, Tuttlingen (DE)

(73) Assignee: **Aesculap AG & Co. KG**, Tuttlingen (DE)

(**) Term: **14 Years**

(21) Appl. No.: **29/141,173**

(22) Filed: **May 1, 2001**

(30) **Foreign Application Priority Data**

Nov. 3, 2000 (XH) DM/054 059

(51) **LOC (7) Cl.** **03-01**

(52) **U.S. Cl.** **D3/276; D3/277; D3/291; D24/217**

(58) **Field of Search** D3/272, 273, 276, D3/281, 291, 315; D9/418; 206/379, 438; 220/491; D24/217; 422/300, 301, 302

(56) **References Cited**

U.S. PATENT DOCUMENTS

- 3,874,547 A * 4/1975 Howard 220/4.22
- D295,075 S * 4/1988 Jerge et al. D24/217
- D346,492 S * 5/1994 Cacciatore, Jr. D3/282

- D360,697 S * 7/1995 Riihimaki et al. D24/217
- D371,203 S * 6/1996 Deeds D24/217
- D374,936 S 10/1996 Jakab D24/217
- D429,565 S * 8/2000 Aiken D3/273
- D432,013 S * 10/2000 Glees D3/306
- D441,532 S * 5/2001 Nally D3/273

* cited by examiner

Primary Examiner—Philip S. Hyder

(74) *Attorney, Agent, or Firm*—Barry R. Lipsitz

(57) **CLAIM**

The ornamental design for a perforated sheet metal container, as shown and described.

DESCRIPTION

FIG. 1 is a front, top and left side perspective view showing the design;

FIG. 2 is a top plan view showing the design;

FIG. 3 is a front elevational view showing the design;

FIG. 4 is a left side elevational view showing the design;

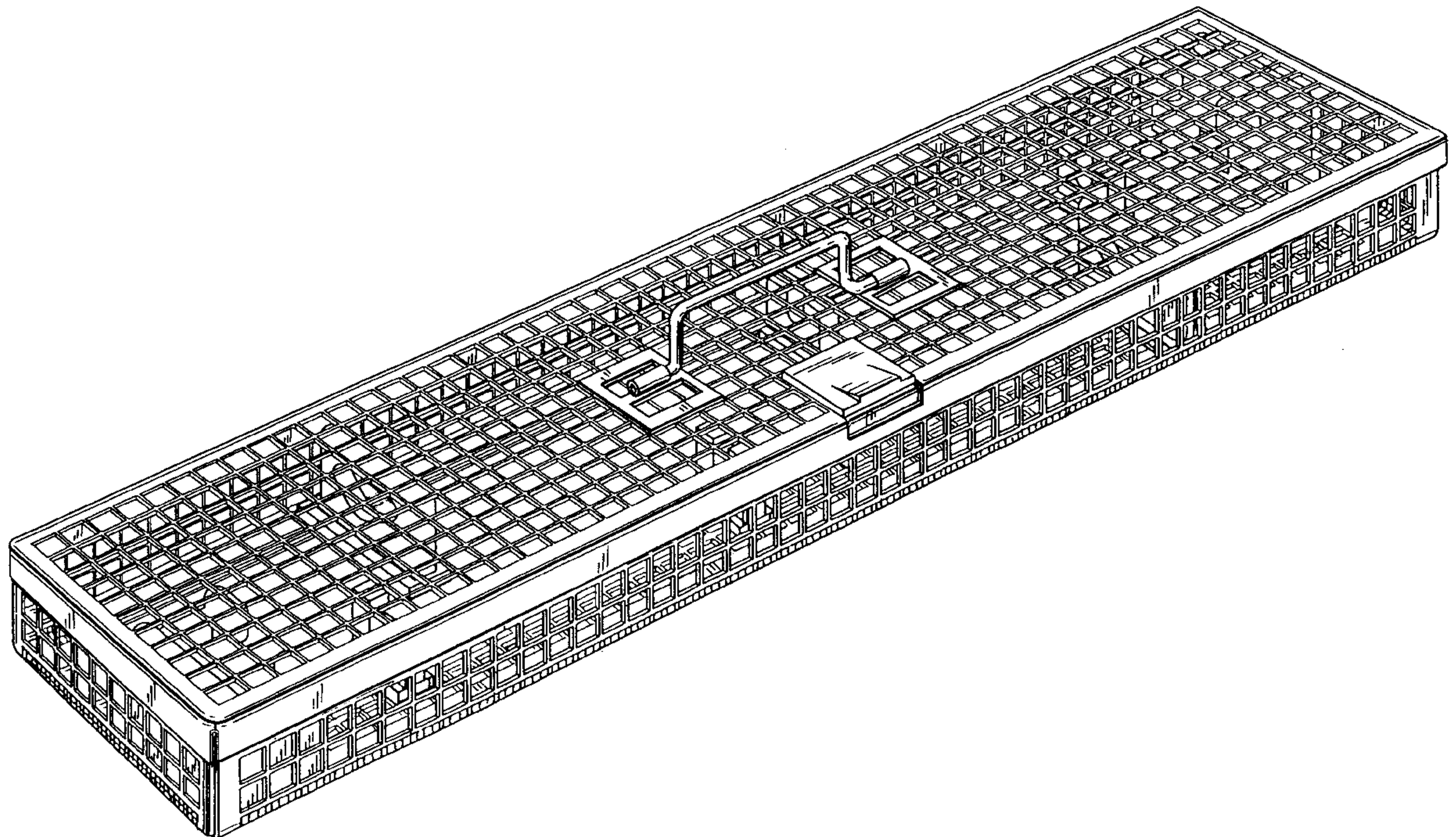
FIG. 5 is a right side elevational view showing the design;

FIG. 6 is a rear elevational view showing the design;

FIG. 7 is a bottom plan view showing the design; and,

FIG. 8 is a front, top and left side perspective view showing the design in an open position.

1 Claim, 5 Drawing Sheets



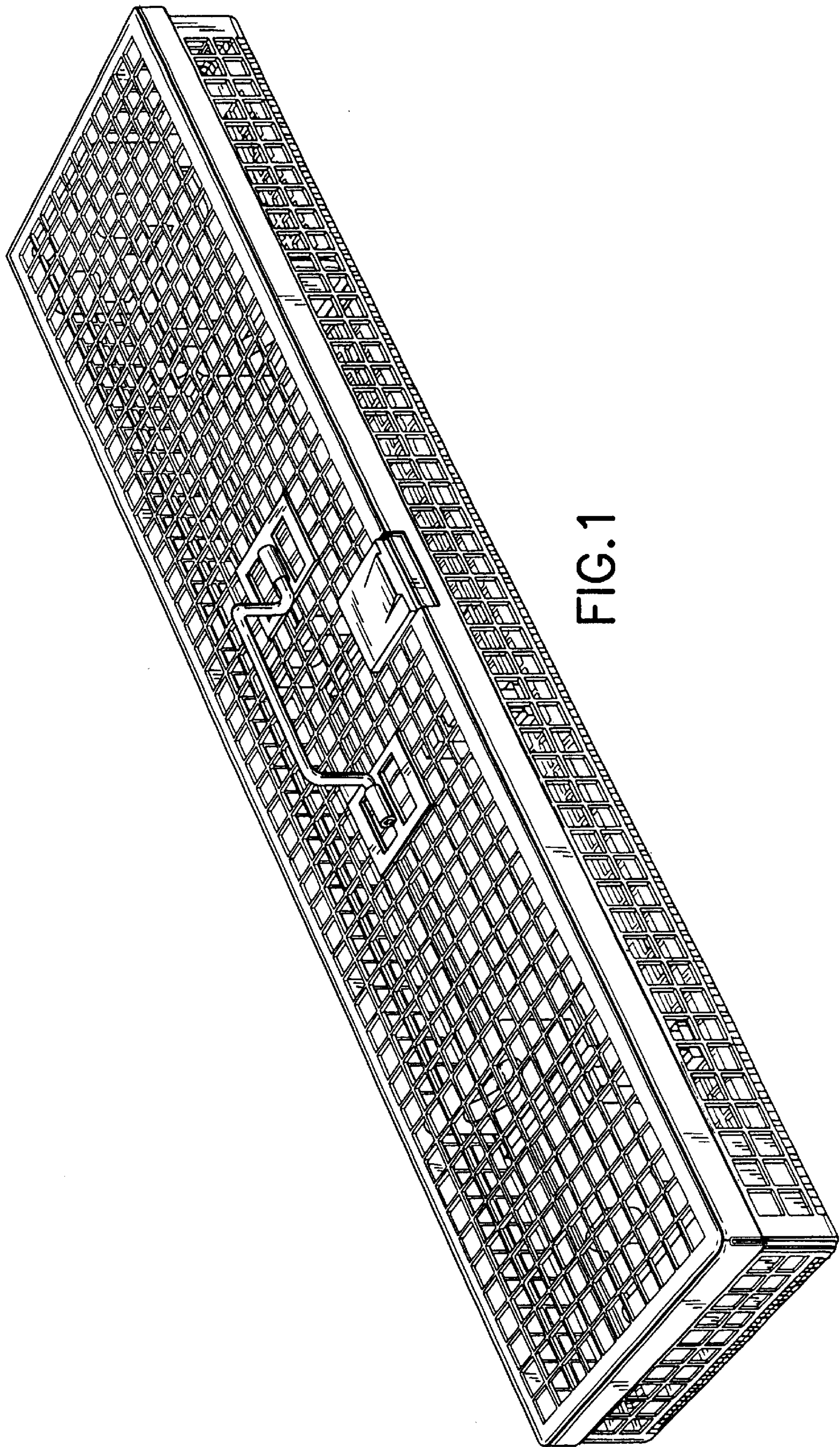


FIG. 1

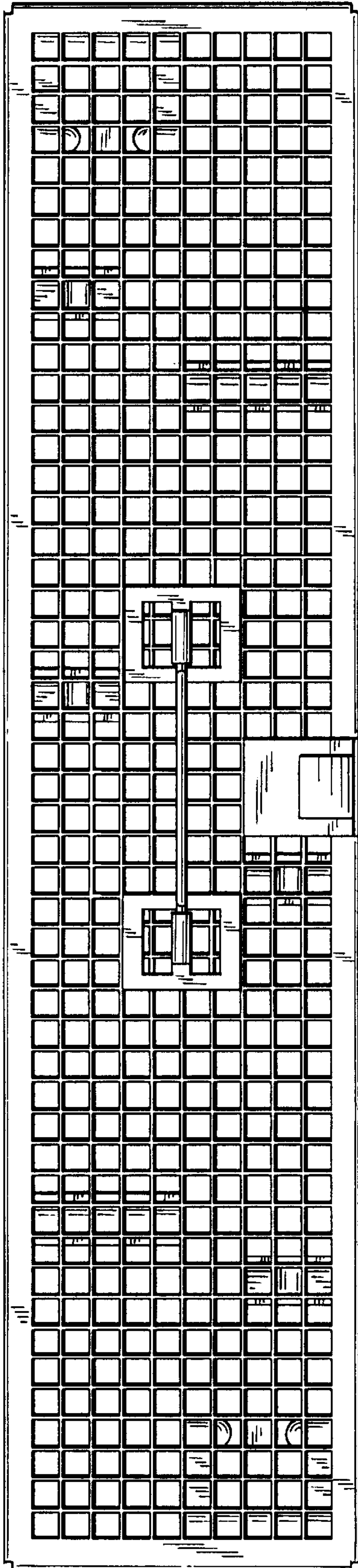


FIG. 2

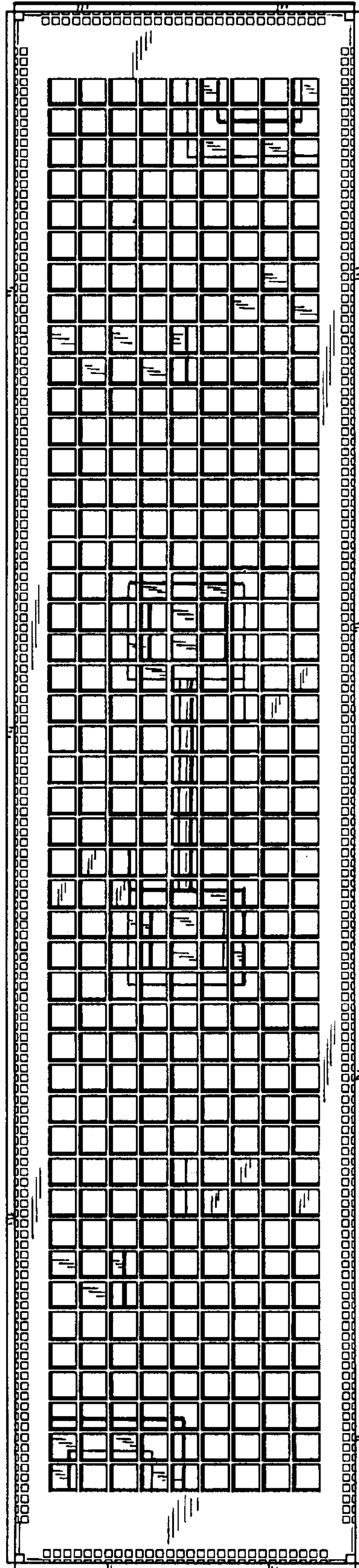


FIG. 7

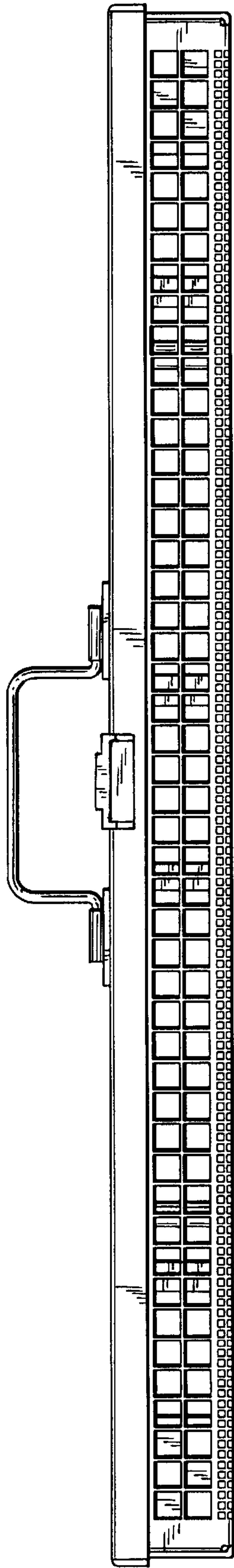


FIG. 3

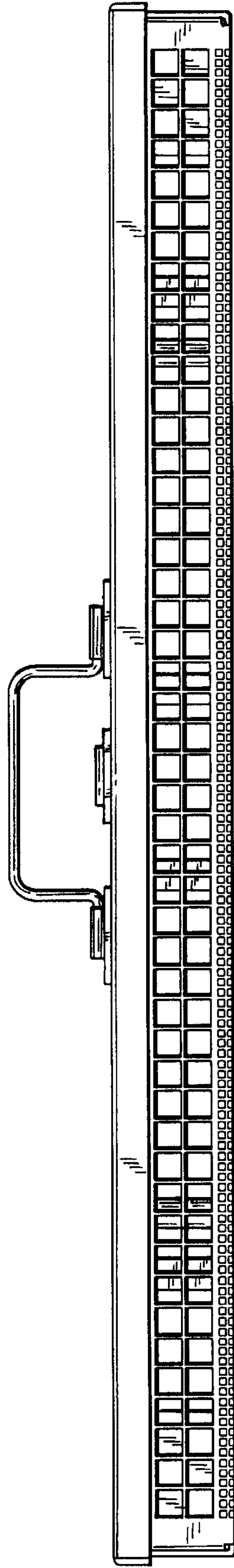


FIG. 6

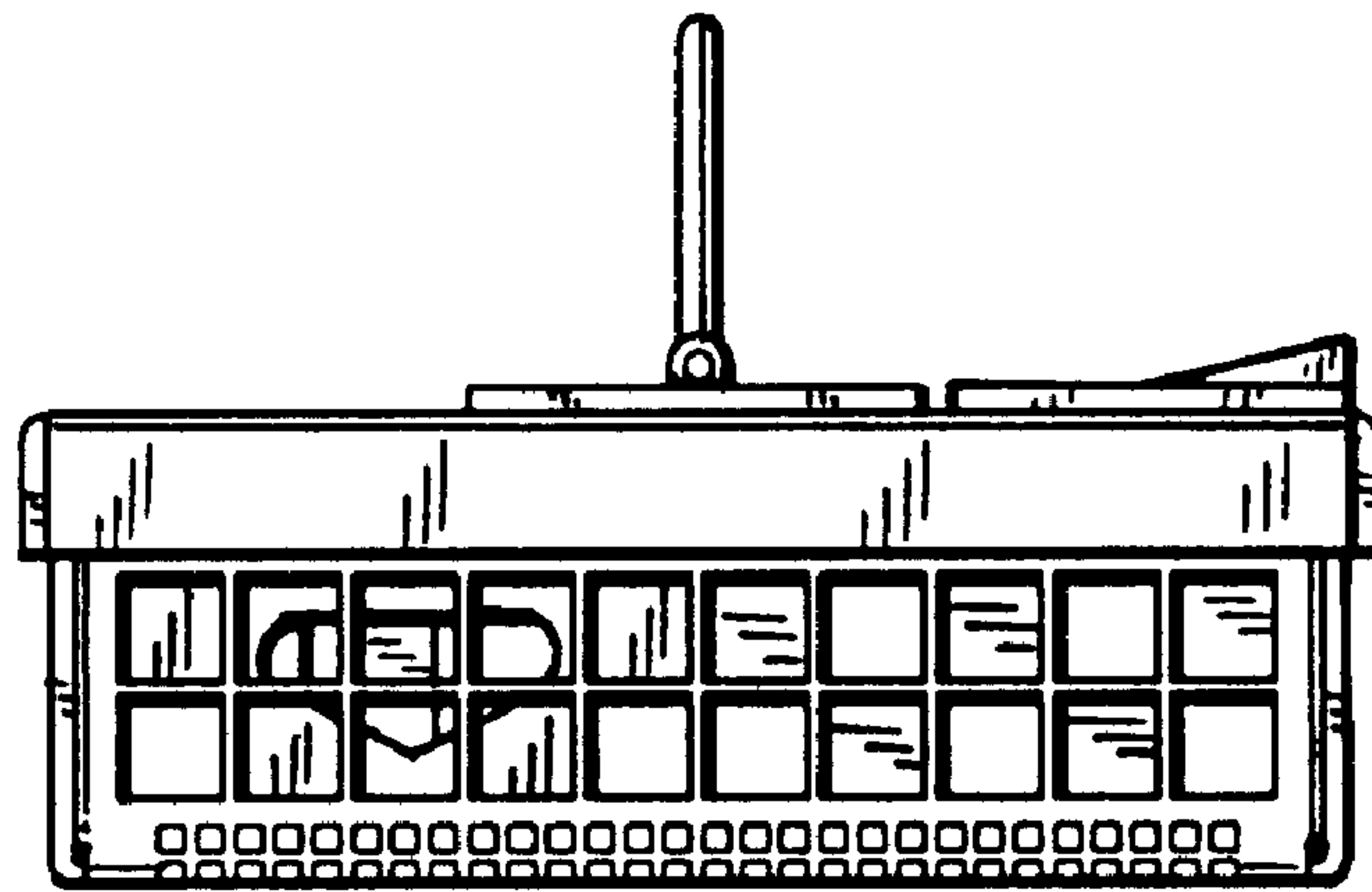


FIG. 4

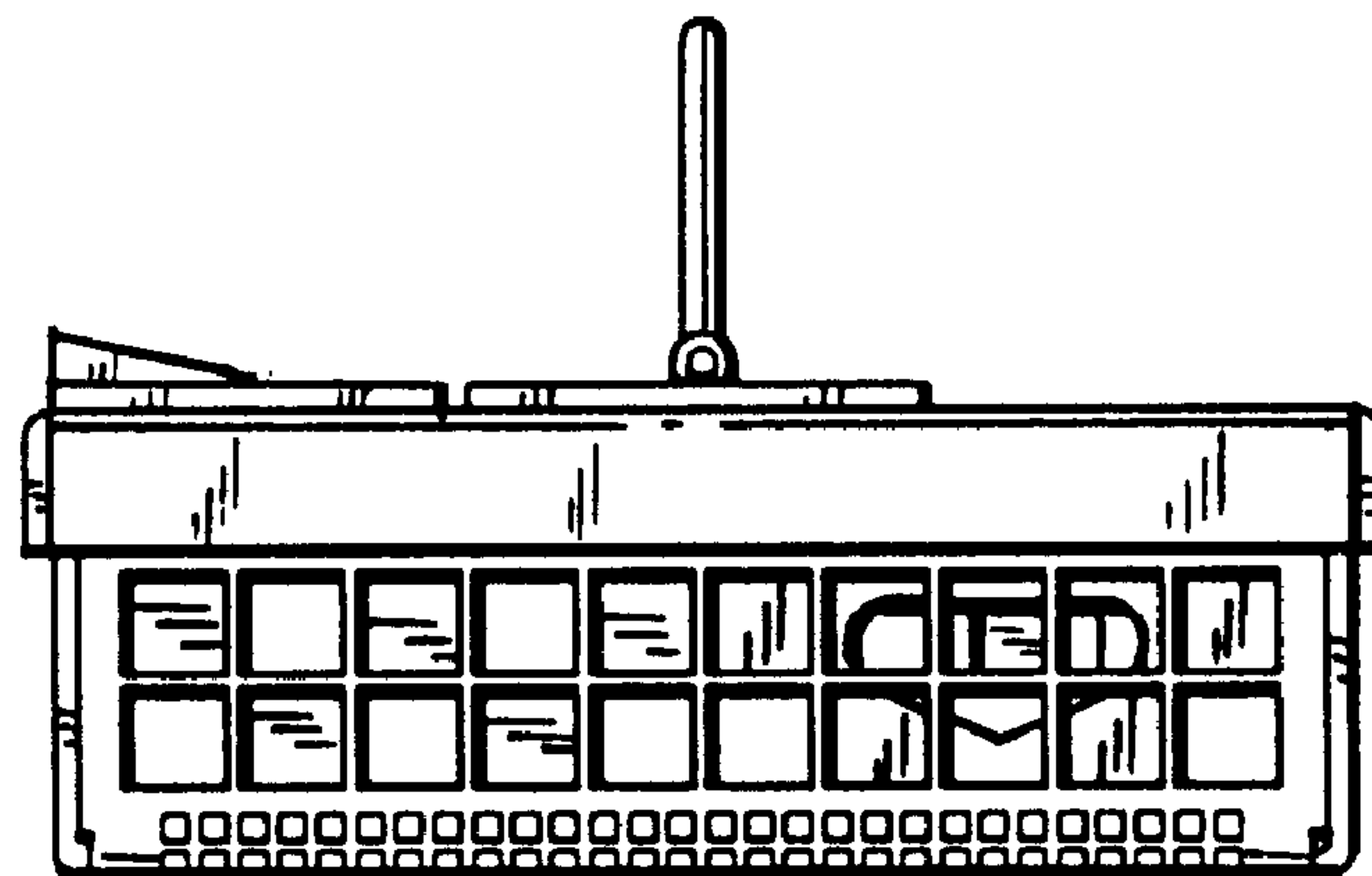


FIG. 5

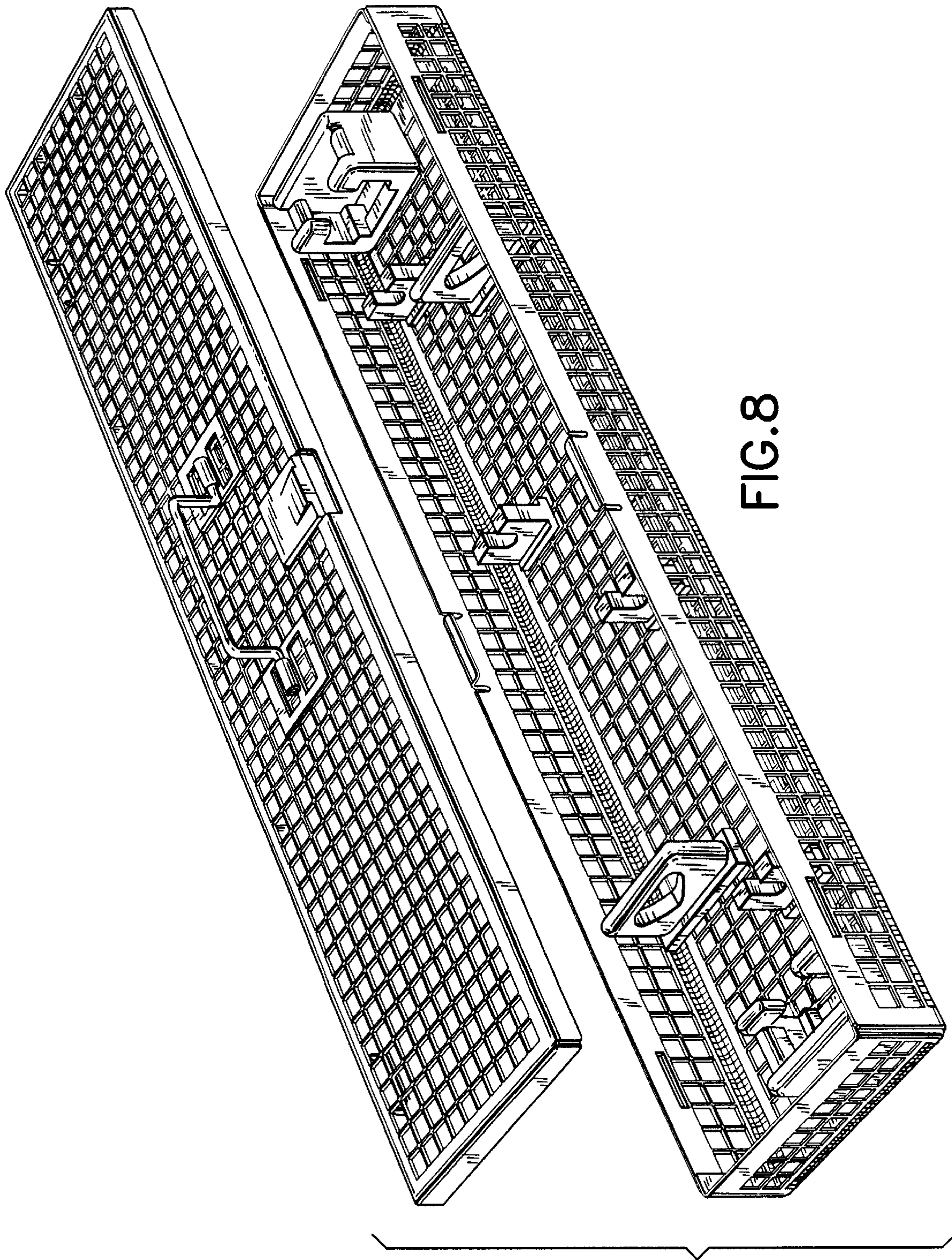


FIG. 8