



US00D458438S

(12) **United States Design Patent**  
**Volk, III et al.**

(10) **Patent No.:** **US D458,438 S**

(45) **Date of Patent:** **\*\* Jun. 11, 2002**

(54) **CUSHION AND HAT COMBINATION**

D410,133 S \* 5/1999 Kapas ..... D2/869  
D412,620 S \* 8/1999 Vu ..... D6/597 X  
D414,591 S \* 10/1999 Baker ..... D2/869

(76) Inventors: **William E. Volk, III**, 117 Durham Dr.;  
**Dennis W. Richardson**, 101 Fairfax  
Blvd., both of Goose Creek, SC (US)  
29445

\* cited by examiner

(\*\*) Term: **14 Years**

*Primary Examiner*—Paula A. Mortimer  
(74) *Attorney, Agent, or Firm*—Harleston Law Firm, LLC;  
Kathleen M. Harleston

(21) Appl. No.: **29/138,283**

(57) **CLAIM**

(22) Filed: **Mar. 9, 2001**

The ornamental design for a cushion and hat combination, as shown and described.

(51) **LOC (7) Cl.** ..... **02-03**

(52) **U.S. Cl.** ..... **D2/869**

(58) **Field of Search** ..... D2/865, 869, 871,  
D2/875; 2/171, 181, 195.1, 209.11; D8/399;  
D6/595, 596, 597, 601

**DESCRIPTION**

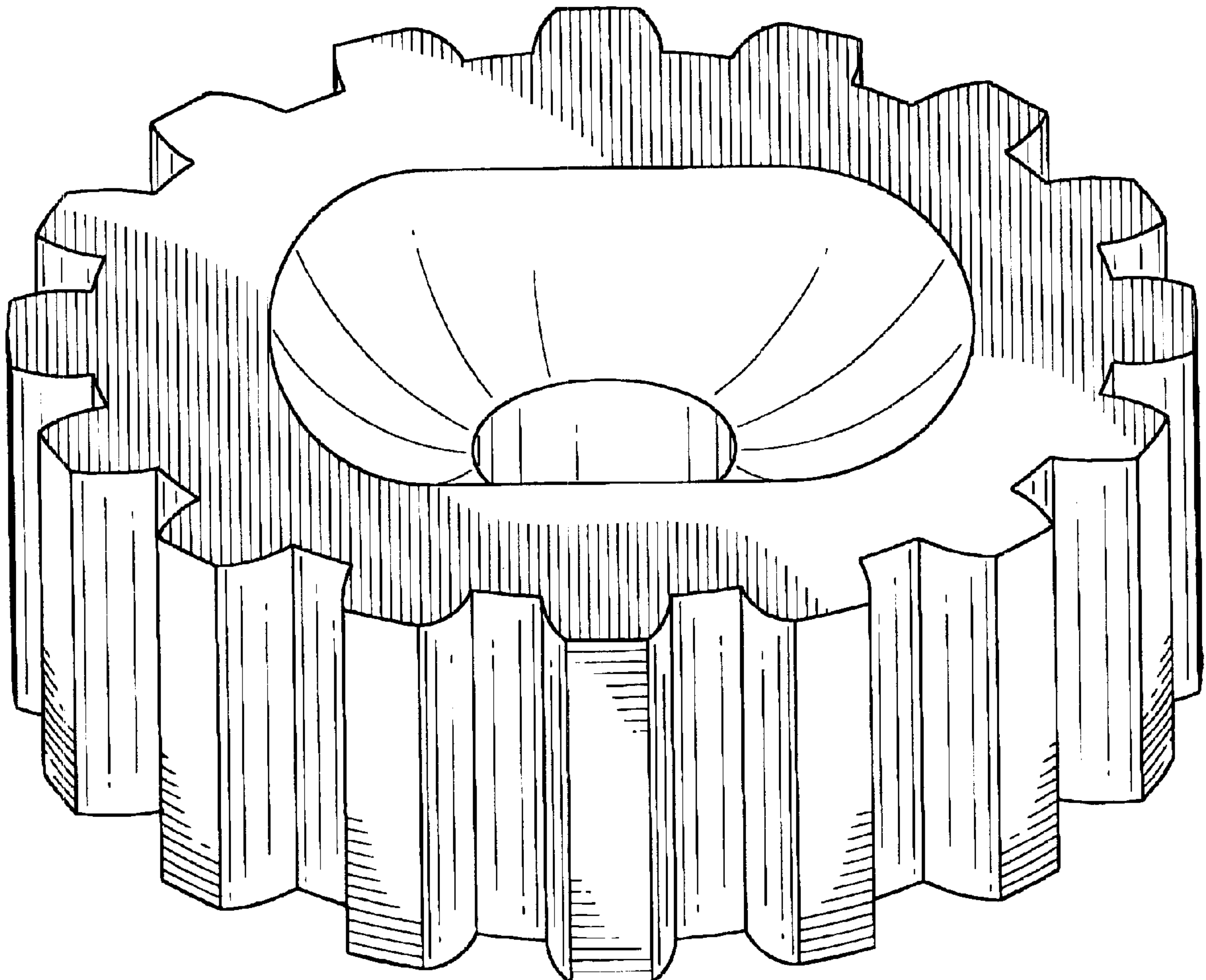
(56) **References Cited**

**U.S. PATENT DOCUMENTS**

D387,541 S \* 12/1997 Keuman et al. .... D2/871  
D393,345 S \* 4/1998 Clegg et al. .... D2/869  
D393,535 S \* 4/1998 Farbor ..... D2/869  
D399,990 S \* 10/1998 Parson et al. .... D2/869

FIG. 1 is a perspective view of a cushion and hat combination, showing my new design;  
FIG. 2 is a front elevational view of a cushion and hat combination, showing my new design;  
FIG. 3 is a rear elevational view of the cushion and hat combination according to FIG. 2; and,  
FIG. 4 is a side plan view of the cushion and hat combination according to FIG. 2, all side plan views being the same.

**1 Claim, 4 Drawing Sheets**



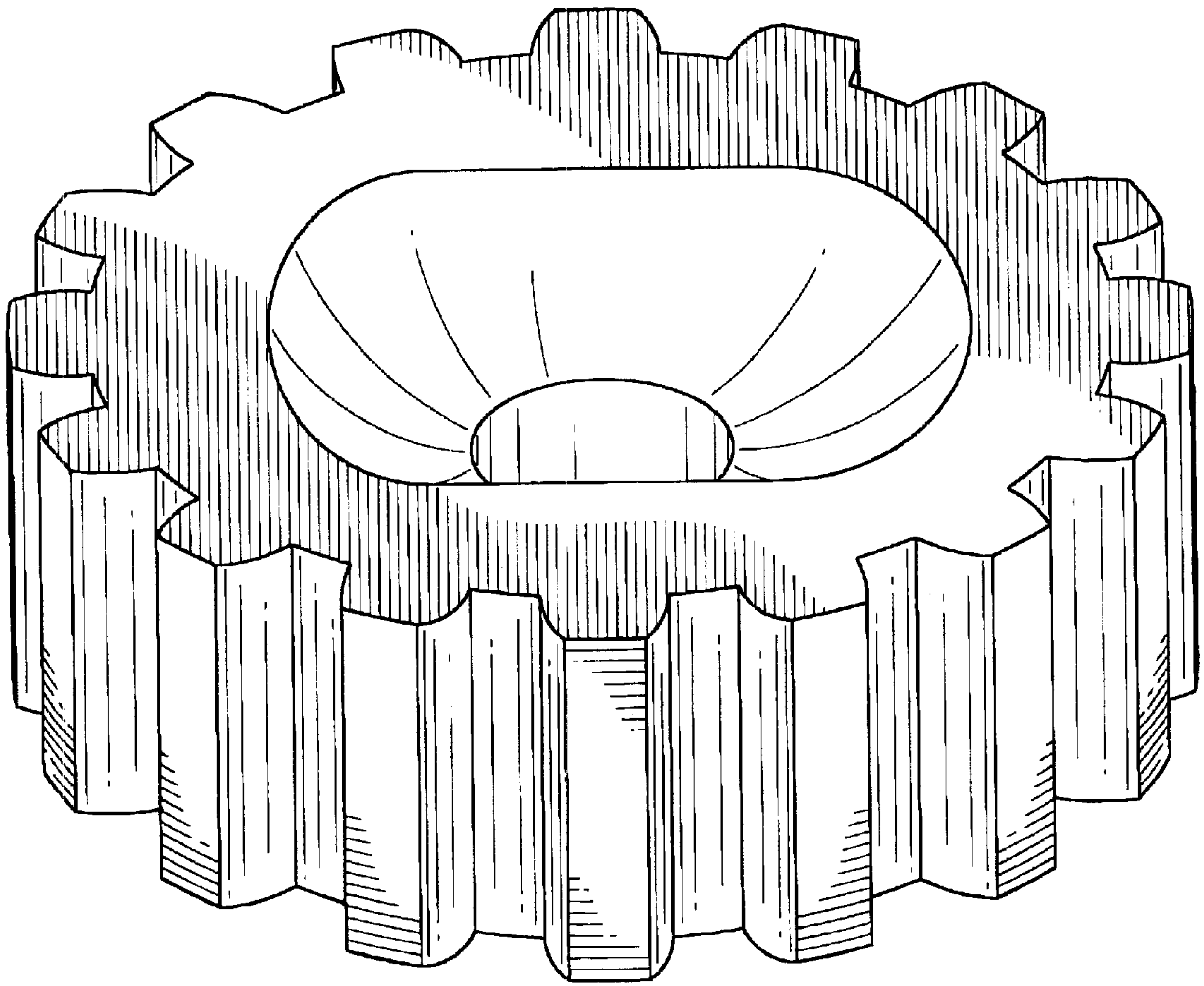


FIG. 1

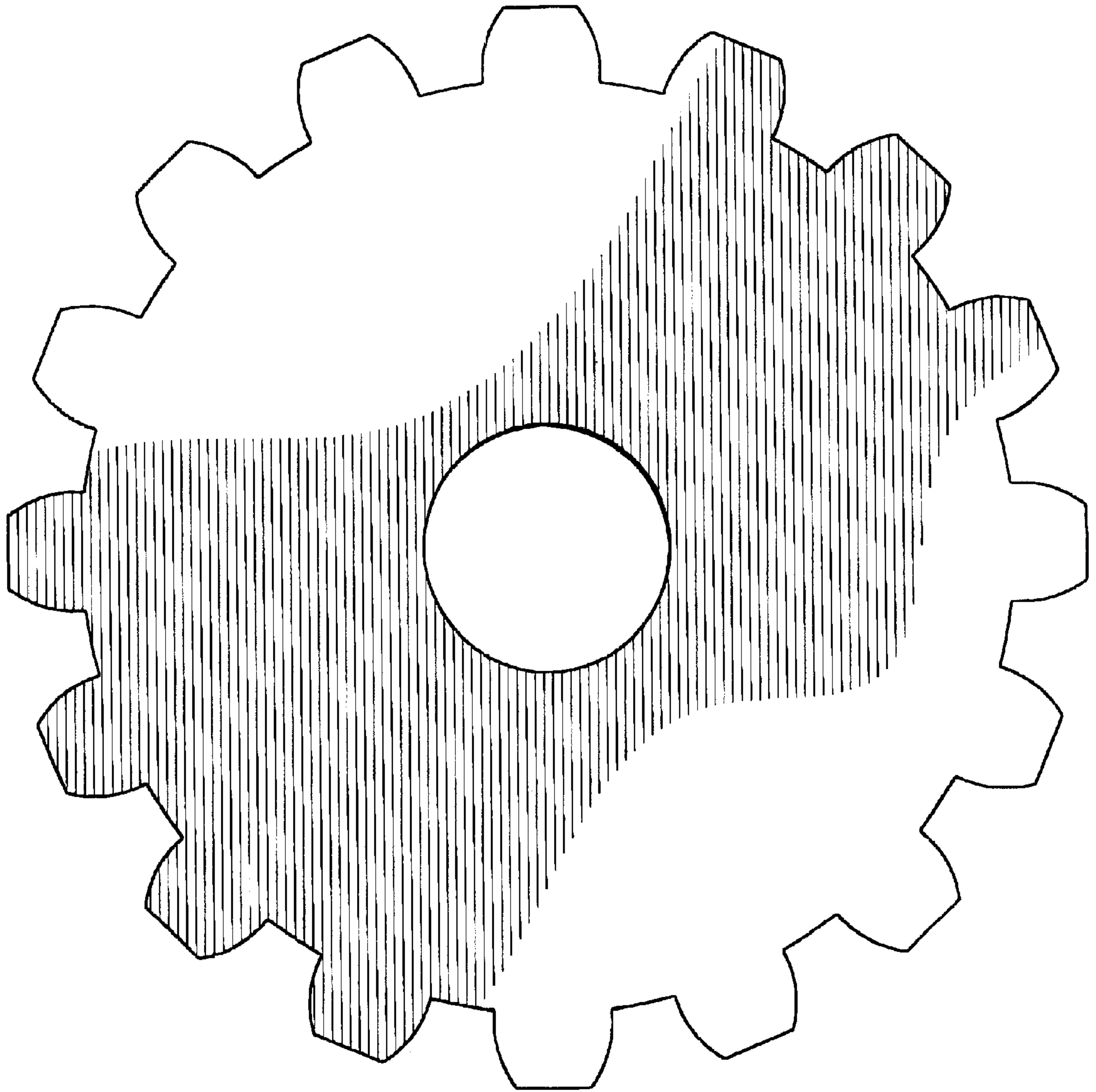


FIG.2

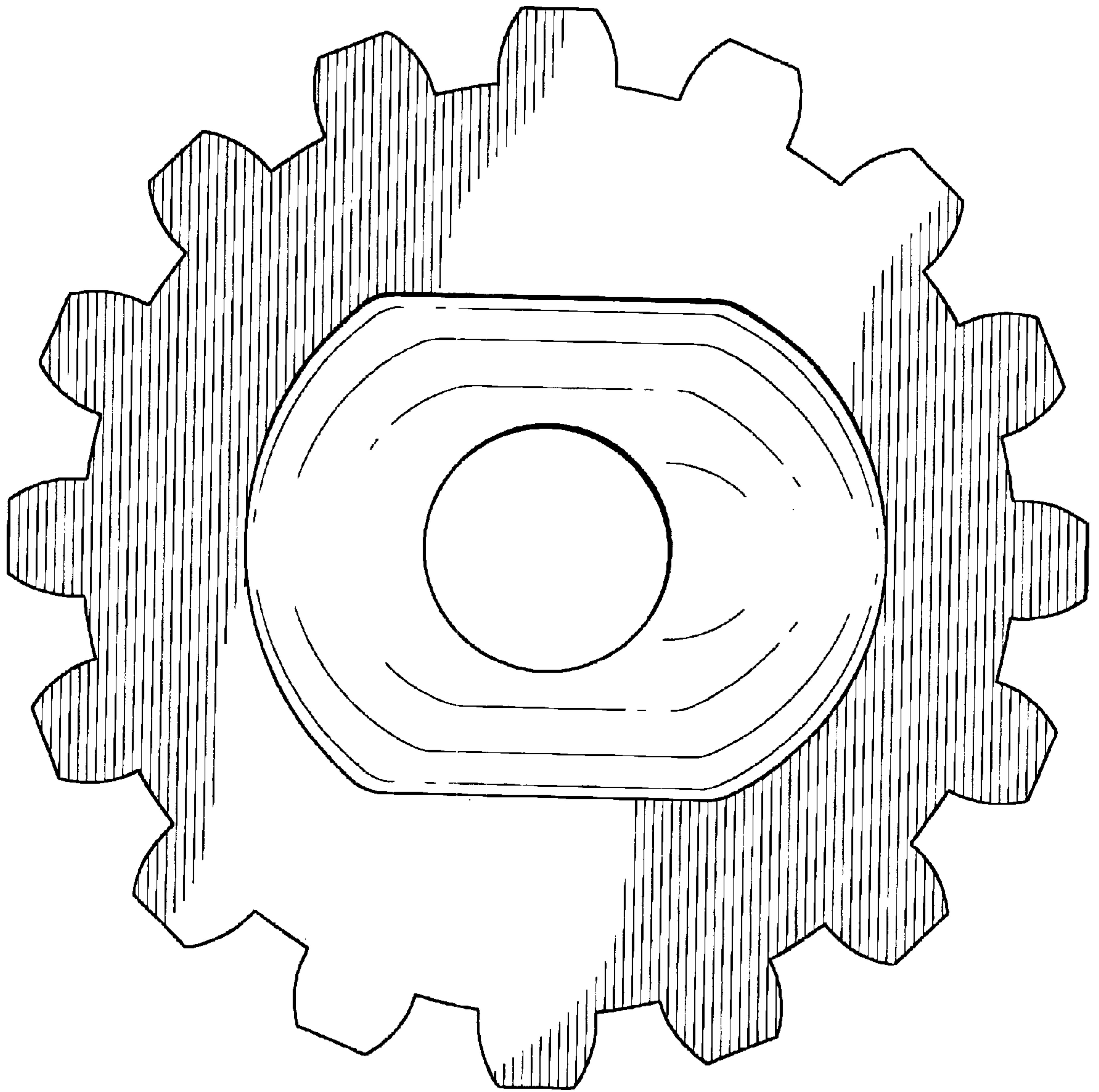


FIG.3

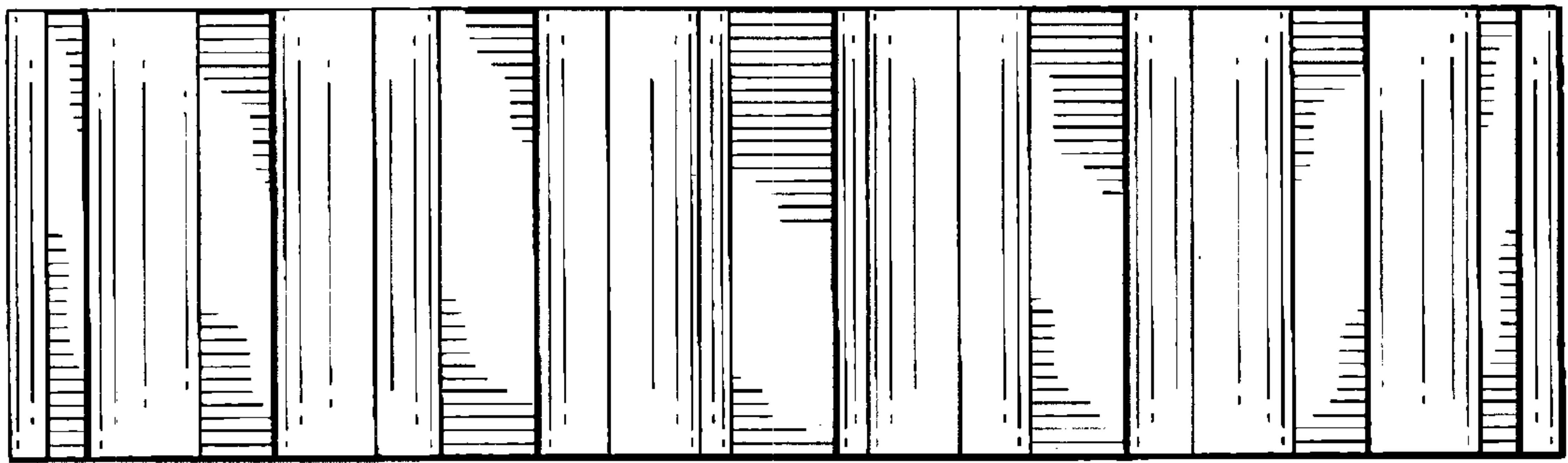


FIG.4