



US00D458437S

(12) **United States Design Patent**
Vazquez

(10) **Patent No.:** **US D458,437 S**

(45) **Date of Patent:** **** Jun. 11, 2002**

(54) **TIER APRON WITH FOLD POCKETS**

(75) Inventor: **Maximino Vazquez**, New York, NY
(US)

(73) Assignee: **Maxworld Inc.**, New York, NY (US)

(**) Term: **14 Years**

(21) Appl. No.: **29/143,268**

(22) Filed: **Jun. 11, 2001**

Related U.S. Application Data

(63) Continuation-in-part of application No. 29/109,201, filed on Aug. 12, 1999, now Pat. No. Des. 443,403.

(51) **LOC (7) Cl.** **02-02**

(52) **U.S. Cl.** **D2/861; D2/860; D2/864**

(58) **Field of Search** D2/700, 705, 706,
D2/711, 717, 719, 720, 728, 734, 739,
742, 746, 777, 826, 856, 860-864, 983;
D6/608; 2/46-48, 49.1-49.4, 50, 51, 55,
69, 75, 69.5, 83, 84, 88, 104, 105, 113,
312, 912; 248/102, 104

(56) **References Cited**

U.S. PATENT DOCUMENTS

- 1,403,287 A * 1/1922 Brisbane 2/48
- 1,568,826 A * 1/1926 Gallemore
- 2,164,369 A * 7/1939 Woolever
- D133,954 S * 9/1942 Siegle
- 2,317,176 A * 4/1943 Byrd
- D140,330 S * 2/1945 Baker
- 2,464,946 A * 3/1949 Ryan 2/75
- D170,689 S * 10/1953 Godfredsen
- D174,495 S * 4/1955 Fraser et al.
- 2,907,042 A * 10/1959 Murphy 2/48
- 3,004,315 A * 10/1961 Masure
- 3,299,440 A * 1/1967 Grable
- 3,350,720 A * 11/1967 Freund 2/48

- D253,016 S * 10/1979 Frank D2/795
- D255,392 S * 6/1980 Geffner D2/864
- D258,020 S * 1/1981 Bryce D2/864
- D259,673 S * 6/1981 Ruszczynski D2/864
- 4,343,046 A * 8/1982 Zebell 2/105
- 4,412,369 A * 11/1983 Carnaghi 2/311
- 4,416,025 A * 11/1983 Moret et al. 2/49.3
- 4,441,212 A * 4/1984 Ahr et al. 2/49.2
- 4,495,658 A * 1/1985 Moret et al. 2/49.3
- 4,523,333 A * 6/1985 Spangler 2/49.3
- 4,523,334 A * 6/1985 Lavash 2/49.3
- D301,382 S * 6/1989 Meade D2/862
- D323,238 S * 1/1992 Lee D2/864
- 5,715,542 A * 2/1998 Reinhart, Jr. 2/49.1
- 5,822,792 A * 10/1998 Reinhart, Jr. 2/49.1
- 5,887,278 A * 3/1999 Lewis et al. 2/49.1
- 5,918,311 A * 7/1999 Lampson et al. 2/49.2
- 6,058,506 A * 5/2000 Reinhart, Jr. 2/49.2
- D436,243 S * 1/2001 Hoy D2/864
- D443,403 S * 6/2001 Vazquez D2/861

* cited by examiner

Primary Examiner—Celia Murphy

(57) **CLAIM**

The ornamental design for a tier apron with fold pockets, as shown and described.

DESCRIPTION

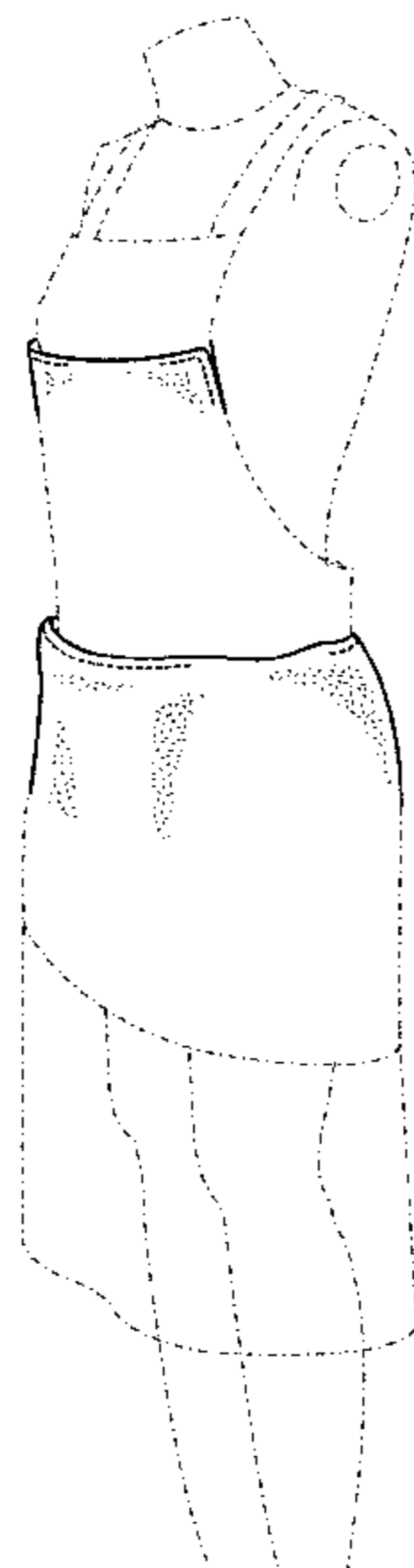
FIG. 1 is a front right perspective view of a tier apron with fold pockets showing my new design, the left perspective view being a mirror image;

FIG. 2 is a front elevational view thereof; and,

FIG. 3 is a rear elevational view thereof.

The broken lines shown in the Figures including the mannequin, the top and bottom of the apron as well as conventional stitching on an apron with tier fold pockets illustrate the environment only and form no part of the claimed design.

1 Claim, 2 Drawing Sheets



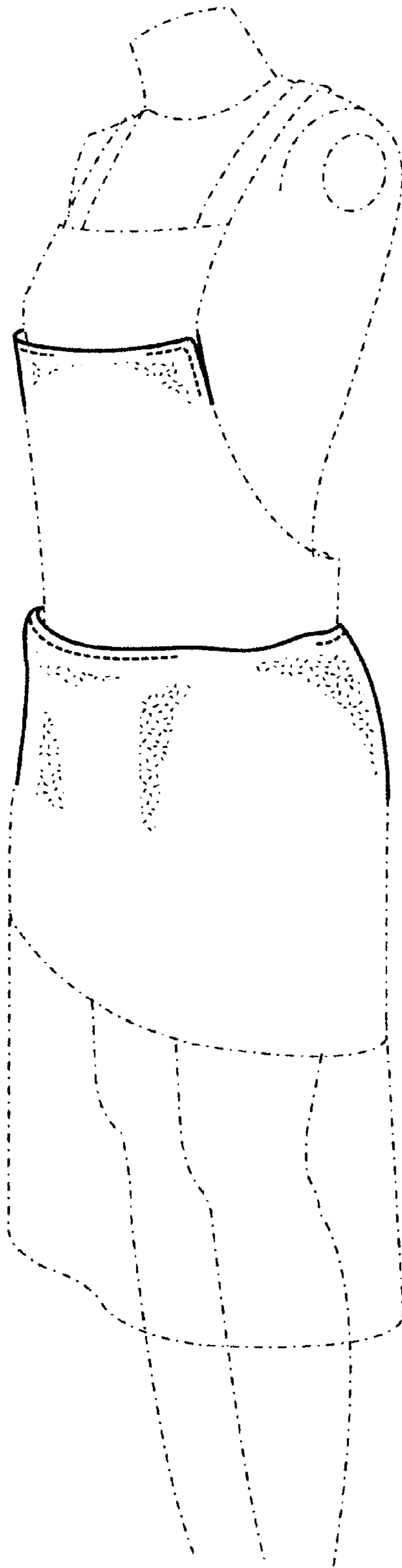


FIG. 1

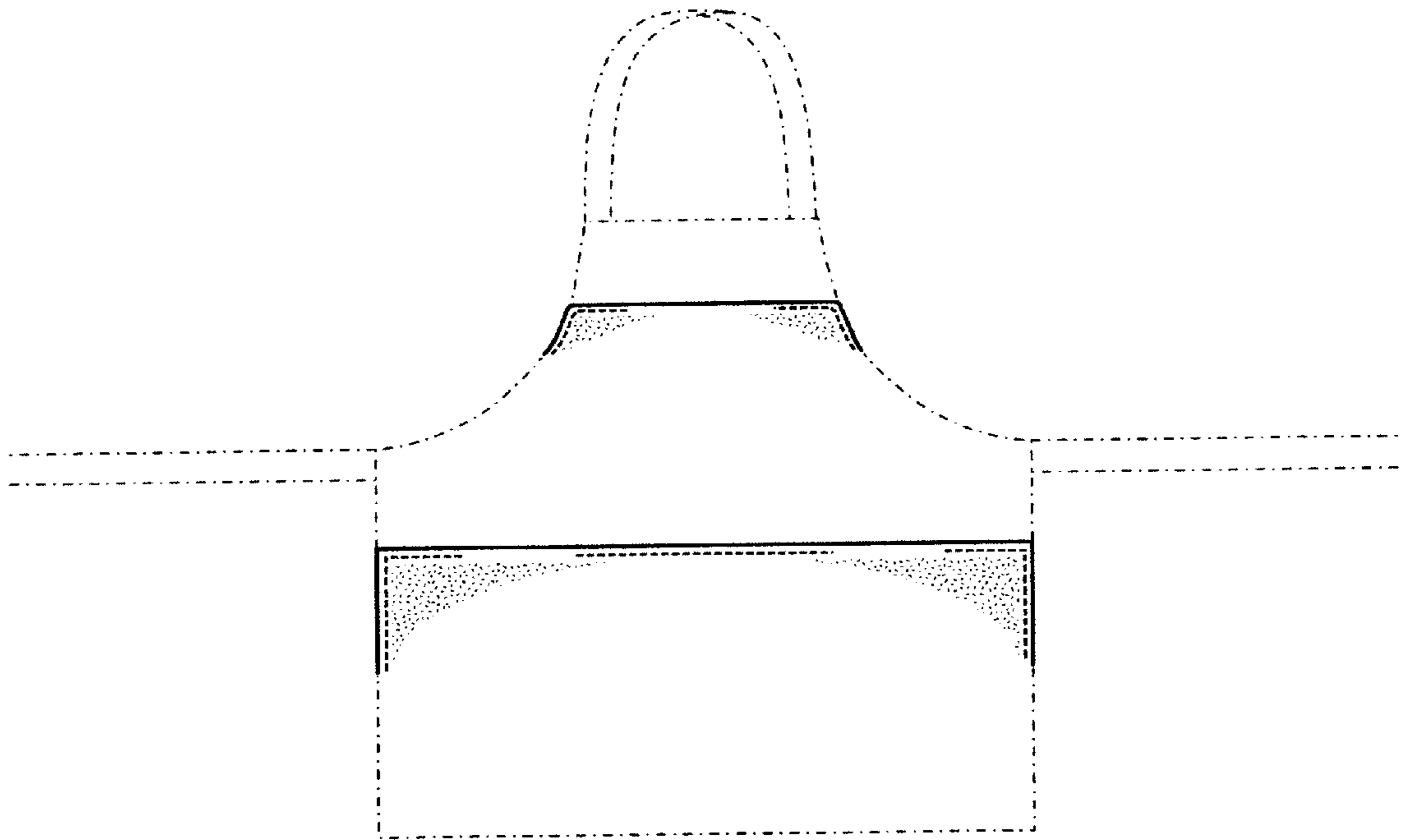


FIG. 2

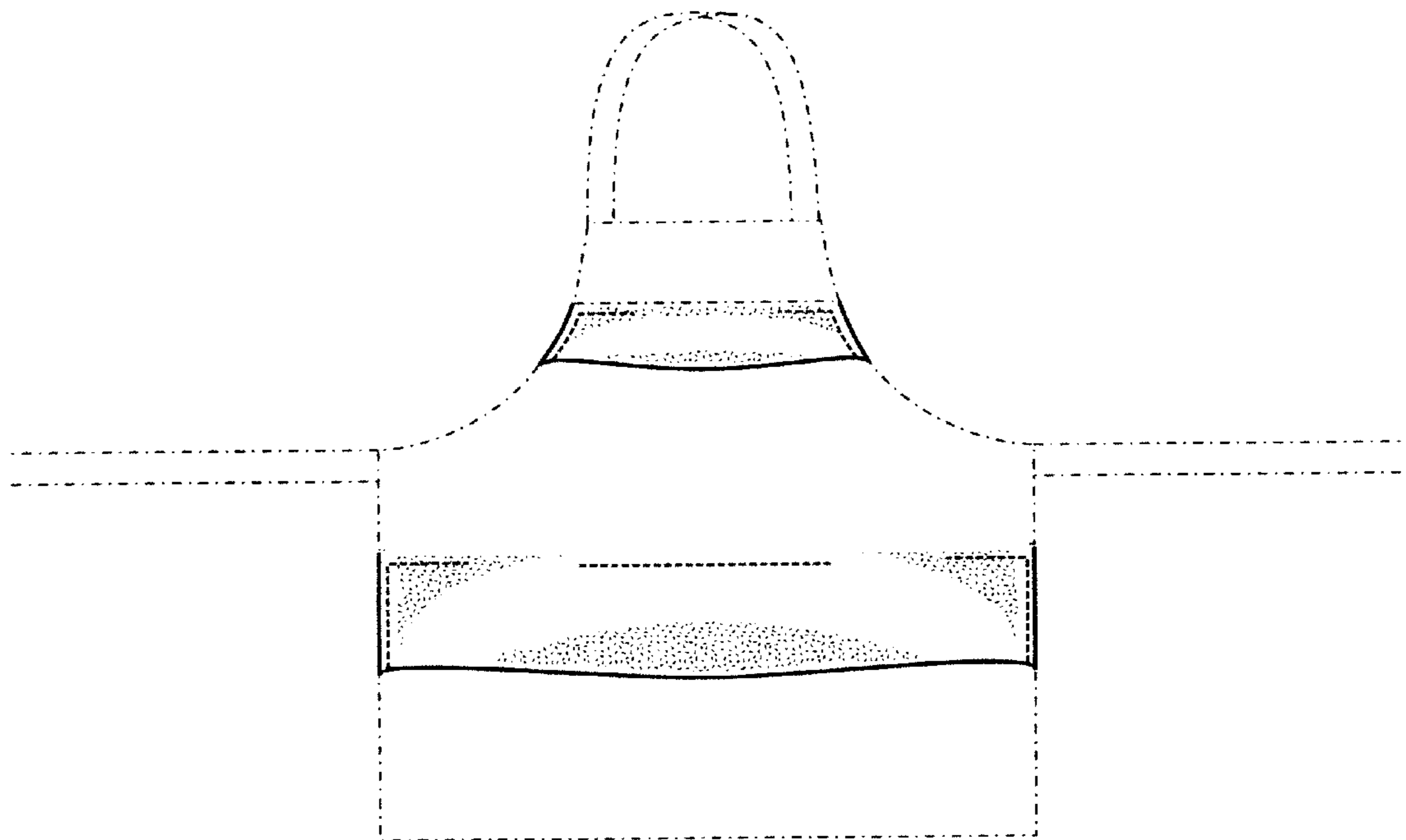


FIG. 3