



US00D458432S

(12) **United States Design Patent**  
**Whiteside et al.**

(10) **Patent No.:** **US D458,432 S**

(45) **Date of Patent:** **\*\* Jun. 4, 2002**

(54) **FRAME FOR A CREEPER**

(75) Inventors: **Kirt E. Whiteside**, Marion; **Terry L. Whiteside**, Delaware, both of OH (US)

(73) Assignee: **Whiteside Mfg. Co.**, Delaware, OH (US)

(\*\*) Term: **14 Years**

(21) Appl. No.: **29/146,591**

(22) Filed: **Aug. 13, 2001**

(51) **LOC (7) Cl.** ..... **12-02**

(52) **U.S. Cl.** ..... **D34/23**

(58) **Field of Search** ..... D34/12-27; 280/32.5, 280/32.6, 79.11, 79.2, 79.7

(56) **References Cited**

**U.S. PATENT DOCUMENTS**

D396,920 S	8/1998	Whiteside et al. ....	D34/23
D401,029 S	11/1998	Taylor .....	D34/23
D401,714 S	11/1998	Whiteside et al. ....	D34/23
D403,822 S	1/1999	Whiteside et al. ....	D34/23
D436,708 S	1/2001	Whiteside .....	D34/27

*Primary Examiner*—Kay H. Chin

(74) *Attorney, Agent, or Firm*—Renner, Kenner, Greive, Bobak, Taylor & Weber

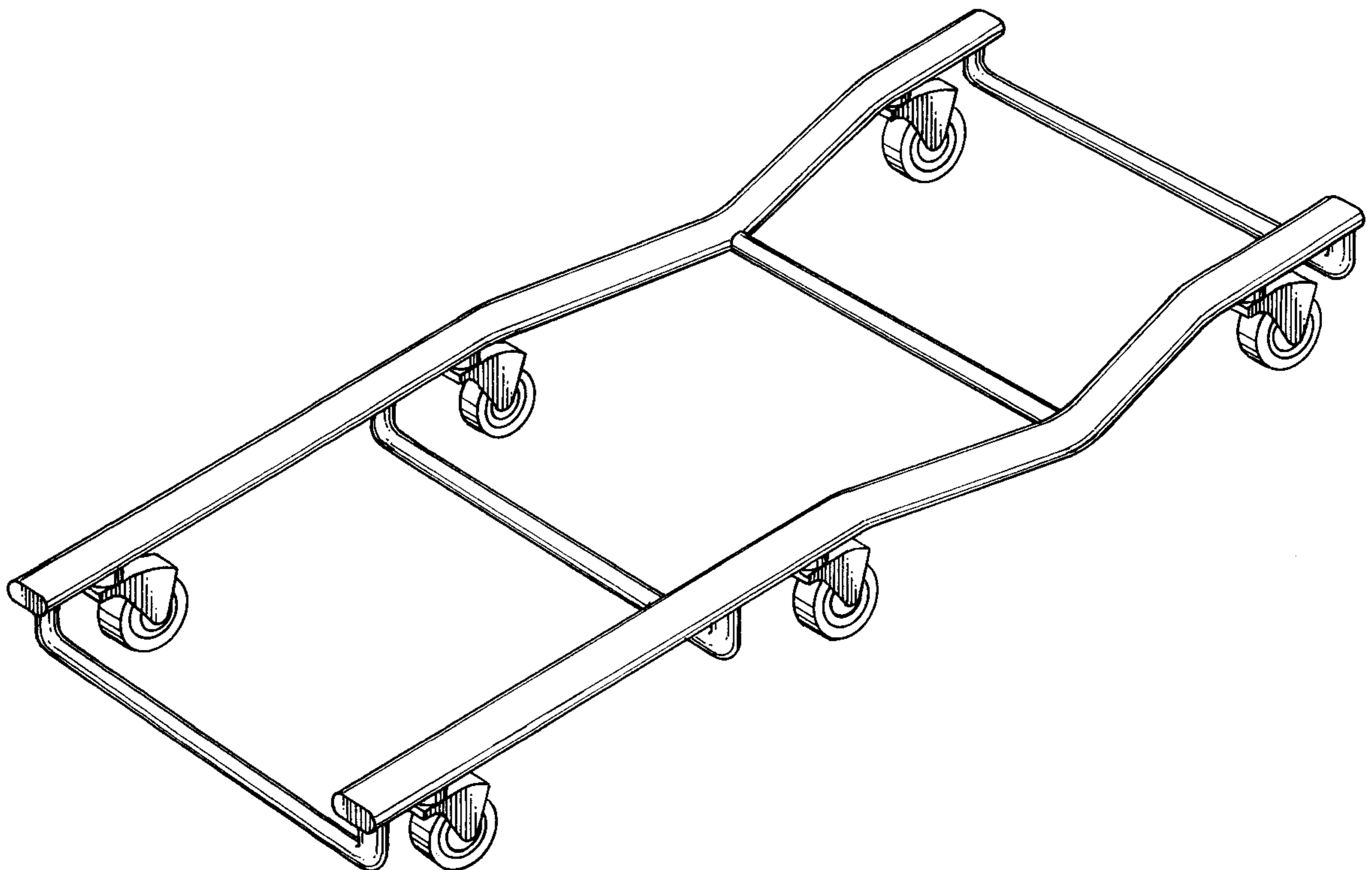
(57) **CLAIM**

The ornamental design for a frame for a creeper, as shown and described.

**DESCRIPTION**

FIG. 1 is a top, rear, right side perspective view of a frame for a creeper showing our new design;  
 FIG. 2 is a top plan view thereof;  
 FIG. 3 is a bottom plan view thereof;  
 FIG. 4 is a left side elevational view thereof, the right side being a mirror image of this left side; and  
 FIG. 5 is a front elevational view thereof, the rear elevational being the same as this front elevational.  
 FIG. 6 is a top, rear, right side perspective view of a second embodiment of a frame for a creeper showing our new design;  
 FIG. 7 is a top plan view thereof;  
 FIG. 8 is a bottom plan view thereof;  
 FIG. 9 is a left side elevational view thereof, the right side being a mirror image of this left side; and,  
 FIG. 10 is a front elevational view thereof, the rear elevational being the same as this front elevational.

**1 Claim, 8 Drawing Sheets**



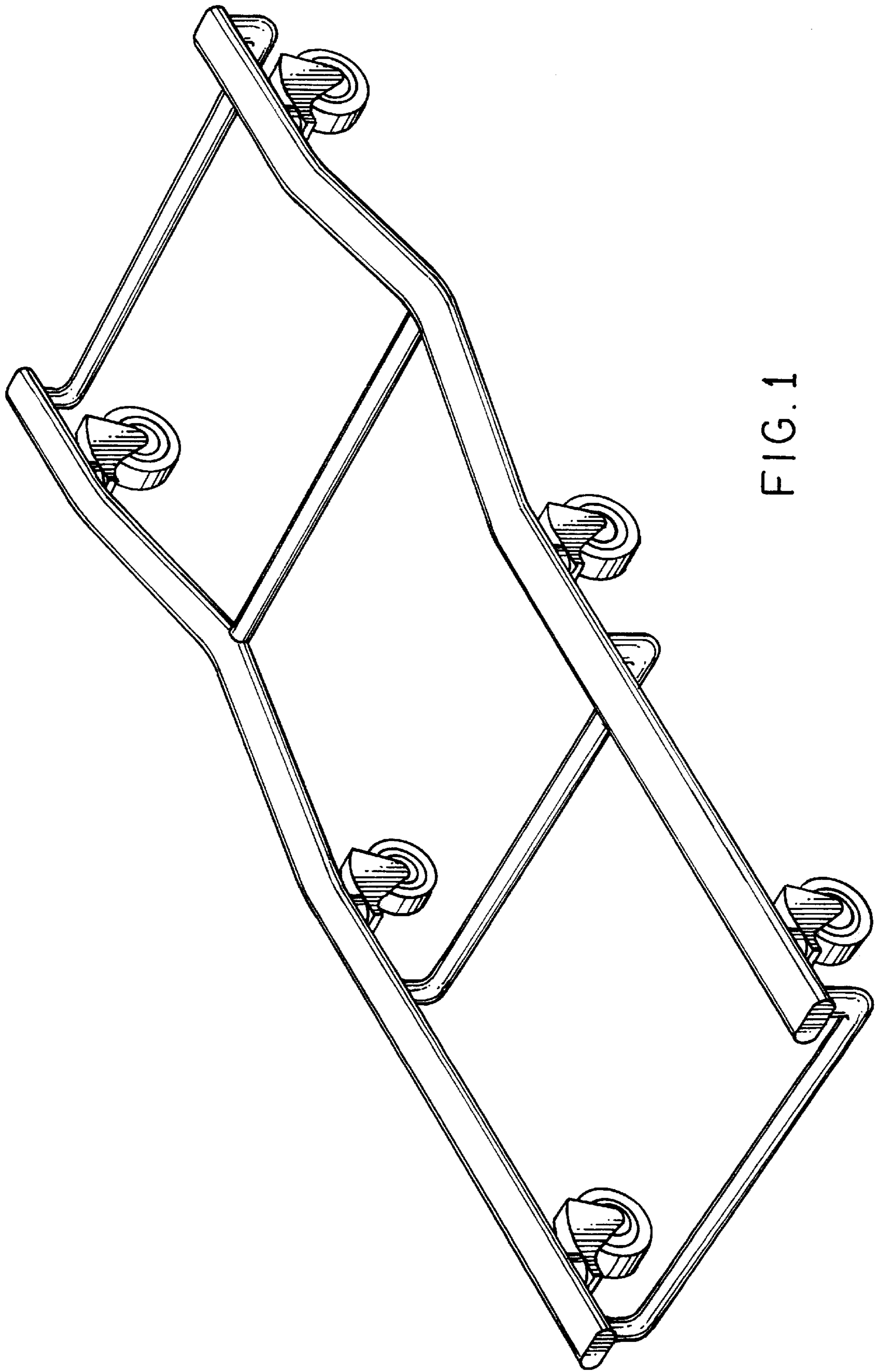


FIG. 1

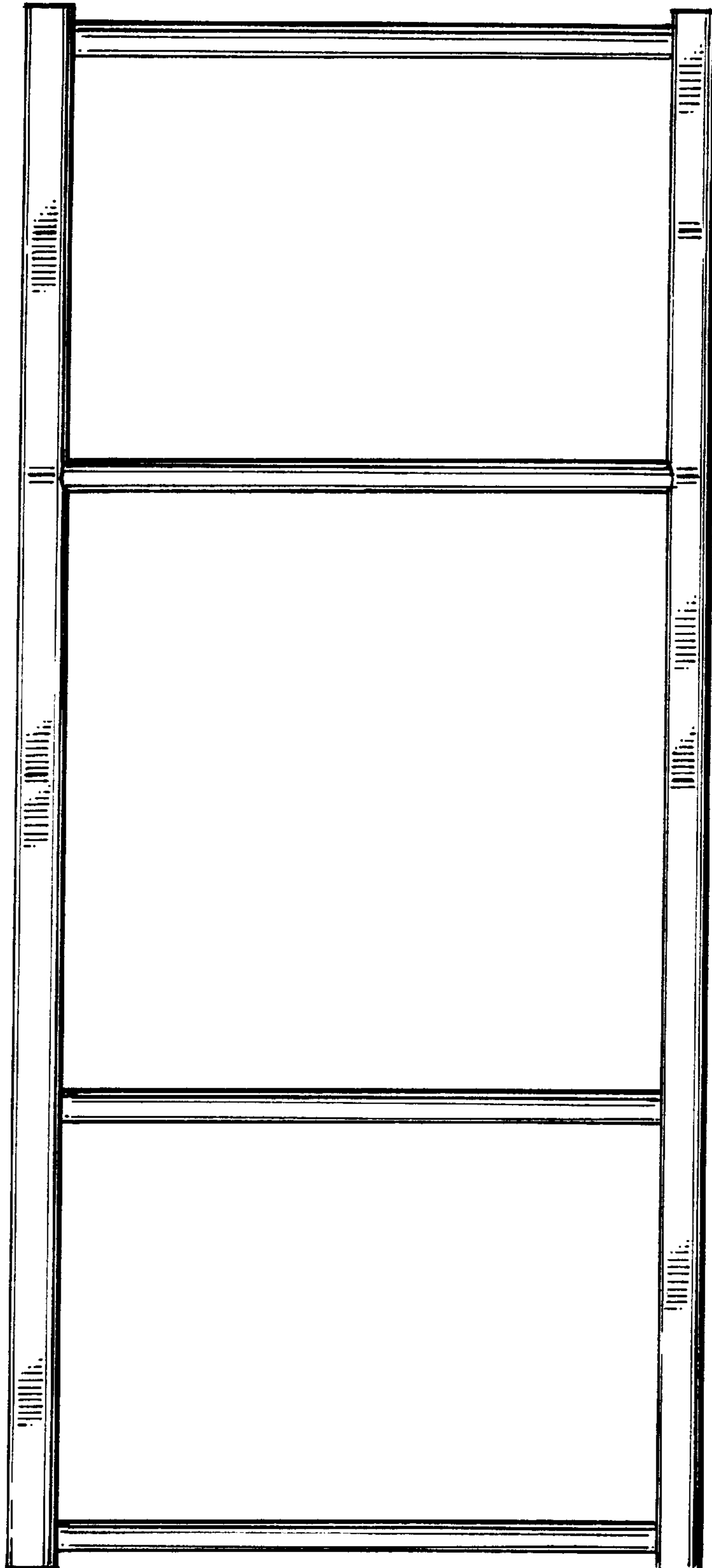


FIG. 2

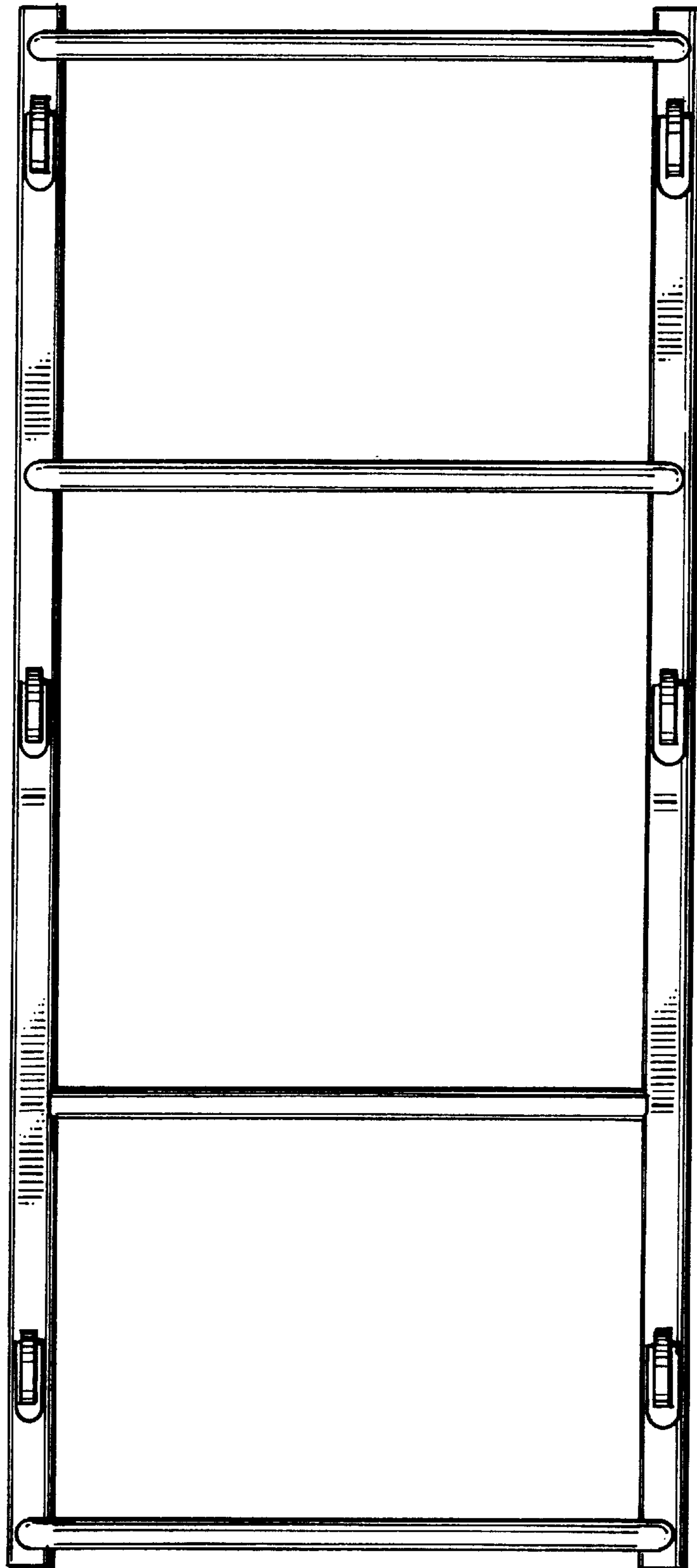


FIG. 3

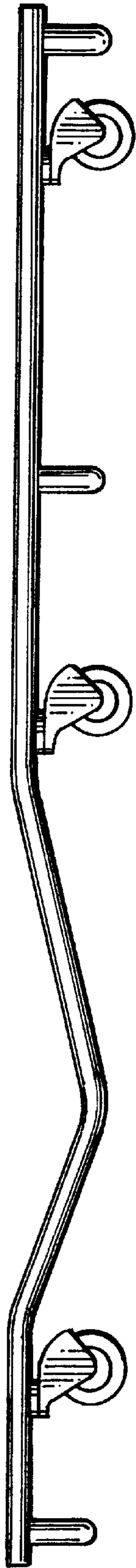


FIG. 4

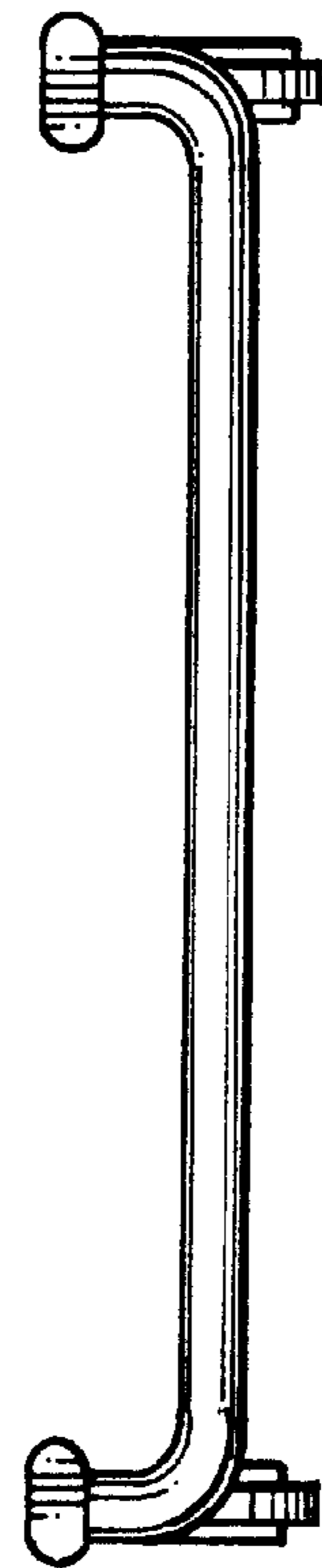


FIG. 5



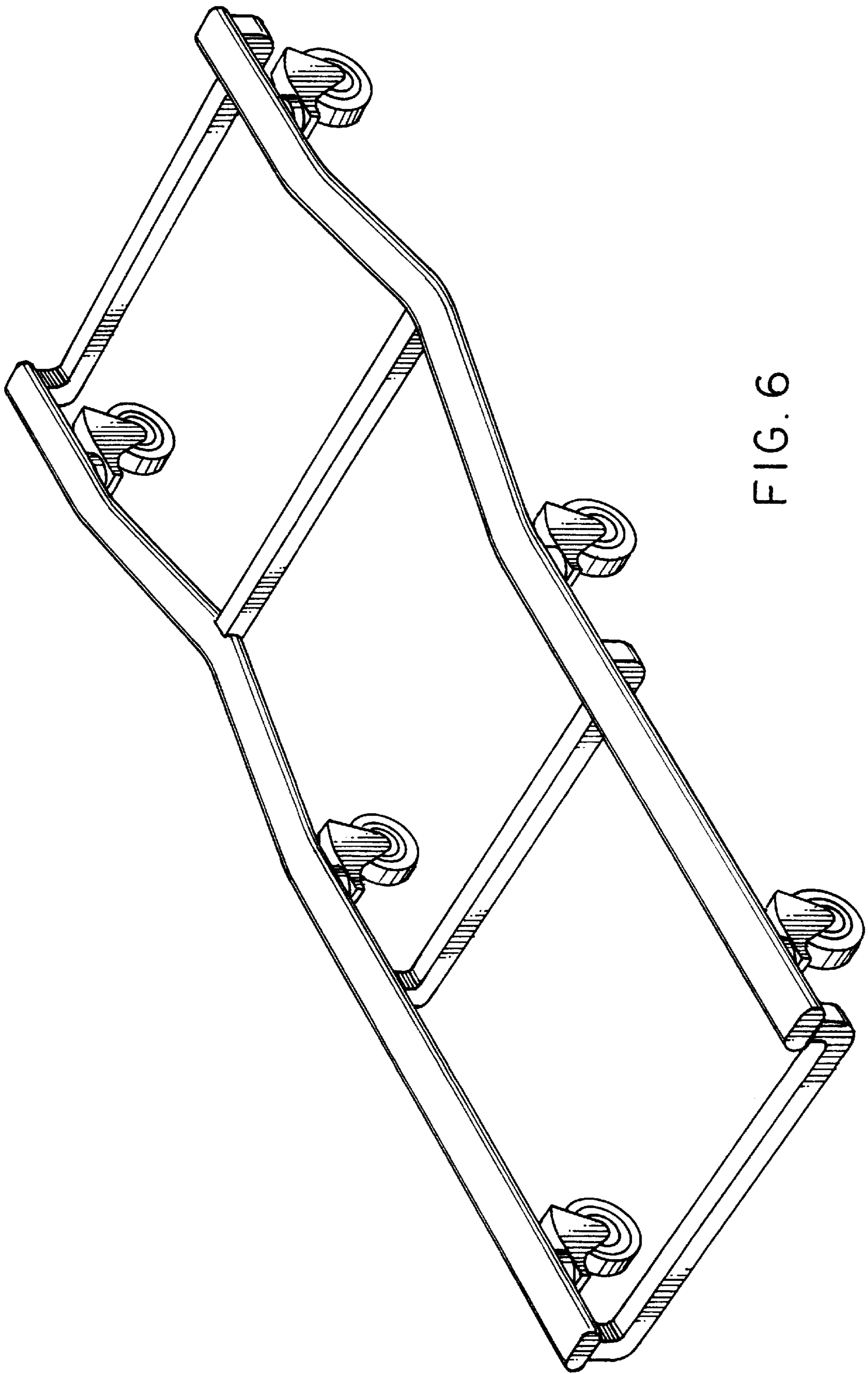


FIG. 6

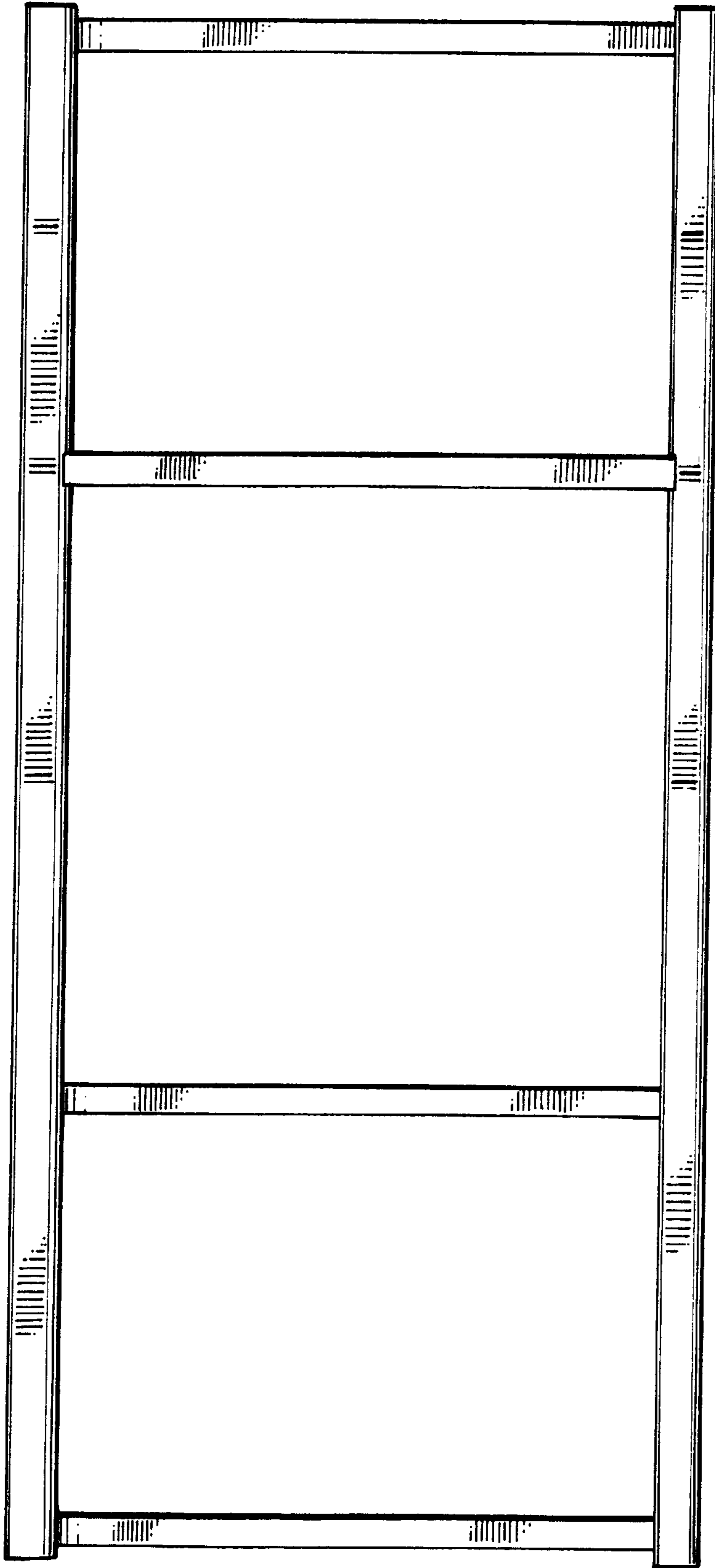


FIG. 7

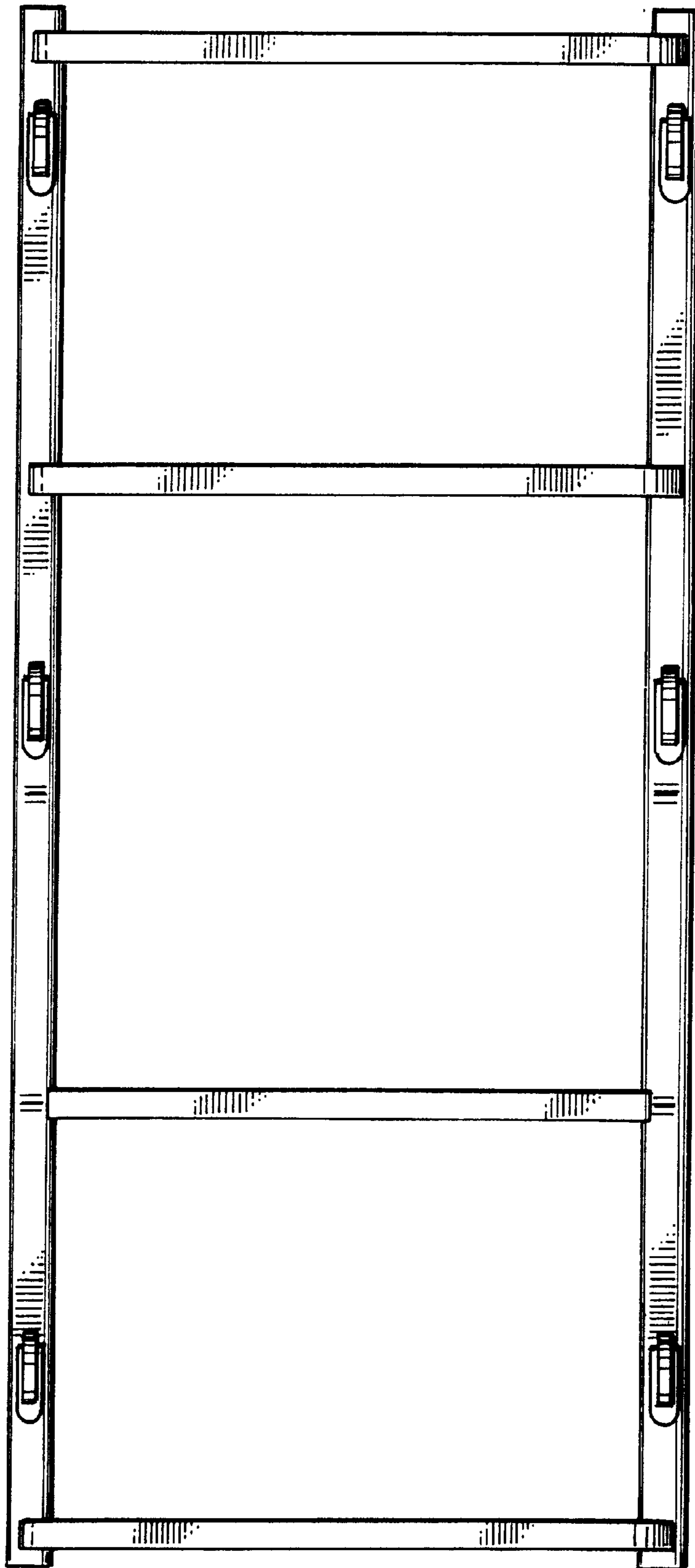


FIG. 8



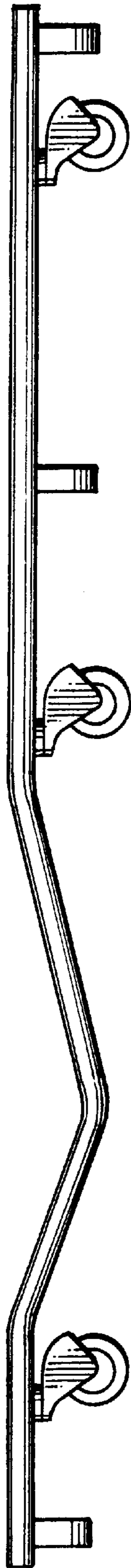


FIG. 9

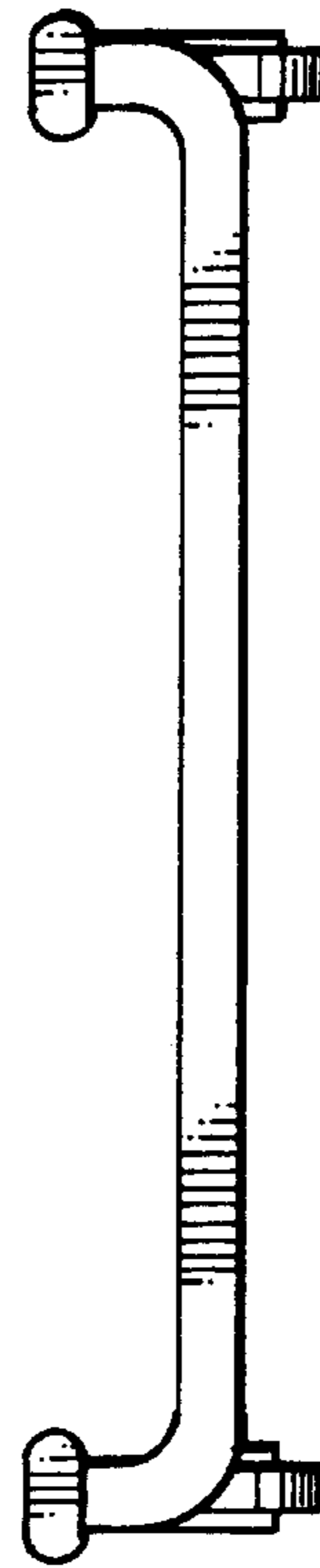


FIG. 10