



US00D458431S

(12) **United States Design Patent**
Skalka

(10) **Patent No.: US D458,431 S**

(45) **Date of Patent: ** Jun. 4, 2002**

(54) **TRASH CAN RECEPTACLE**

(75) Inventor: **Gerald P. Skalka**, Potomac, MD (US)

(73) Assignee: **Victor Stanley, Inc.**, Dunkirk, MD (US)

(**) Term: **14 Years**

(21) Appl. No.: **29/148,740**

(22) Filed: **Sep. 27, 2001**

Related U.S. Application Data

(62) Division of application No. 29/121,054, filed on Mar. 31, 2000.

(51) **LOC (7) Cl.** **09-09**

(52) **U.S. Cl.** **D34/7; D34/1**

(58) **Field of Search** **D34/1, 4, 5, 6, D34/7, 9, 10, 11; 220/908, 909, 910, 911**

(56) **References Cited**

U.S. PATENT DOCUMENTS

D314,461 S * 2/1991 Skalka D34/5

(List continued on next page.)

Primary Examiner—Cynthia E. Ramirez

(74) *Attorney, Agent, or Firm*—Jacobson Holman, PLLC

(57) **CLAIM**

An ornamental design for a trash can receptacle, as shown and described.

DESCRIPTION

FIG. 1 is a perspective view of a trash can receptacle showing a first embodiment of my new design, shown with the door in an open position.

FIG. 2 is a perspective view of the trash can receptacle of FIG. 1, shown with the door in a closed position.

FIG. 3 is a left side elevational view of the trash can receptacle of FIG. 1, shown with the door in a closed position, the right side elevational view being a mirror image thereof.

FIG. 4 is a front elevational view of the trash can receptacle of FIG. 1, shown with the door in a closed position.

FIG. 5 is a rear elevational view of the trash can receptacle of FIG. 1, shown with the door in a closed position.

FIG. 6 is a top plan view of the trash can receptacle of FIG. 1, shown with the door in a closed position.

FIG. 7 is a bottom plan view of the trash can receptacle of FIG. 1, shown with the door in a closed position.

FIG. 8 is a perspective view of a trash can receptacle showing a second embodiment of my new design, shown with the door in an open position.

FIG. 9 is a perspective view of the trash can receptacle of FIG. 8, shown with the door in a closed position.

FIG. 10 is a left side elevational view of the trash can receptacle of FIG. 8, shown with the door in a closed position, the right side elevational view being a mirror image thereof.

FIG. 11 is a front elevational view of the trash can receptacle of FIG. 8, shown with the door in a closed position.

FIG. 12 is a rear elevational view of the trash can receptacle of FIG. 8, shown with the door in a closed position.

FIG. 13 is a top plan view of the trash can receptacle of FIG. 8, shown with the door in a closed position.

FIG. 14 is a bottom plan view of the trash can receptacle of FIG. 8, shown with the door in a closed position.

FIG. 15 is a side elevational view of a trash can receptacle showing a third embodiment of my new design, shown with the door in a closed position, the third embodiment being identical to the first embodiment except for the width of the vertical bars, and the top and bottom views thereof being identical to the views of FIGS. 6 and 7.

FIG. 16 is a side elevational view of a trash can receptacle showing a fourth embodiment of my new design, shown with the door in a closed position, the fourth embodiment being identical to the second embodiment except for the width of the vertical bars, and the top and bottom views thereof being identical to the views of FIGS. 13 and 14.

FIG. 17 is a perspective view of a trash can receptacle showing a fifth embodiment of my new design, shown with the door in an open position.

FIG. 18 is a perspective view of the trash can receptacle of FIG. 17, shown with the door in a closed position.

FIG. 19 is a left side elevational view of the trash can receptacle of FIG. 17, shown with the door in a closed position, the right side elevational view being a mirror image thereof.

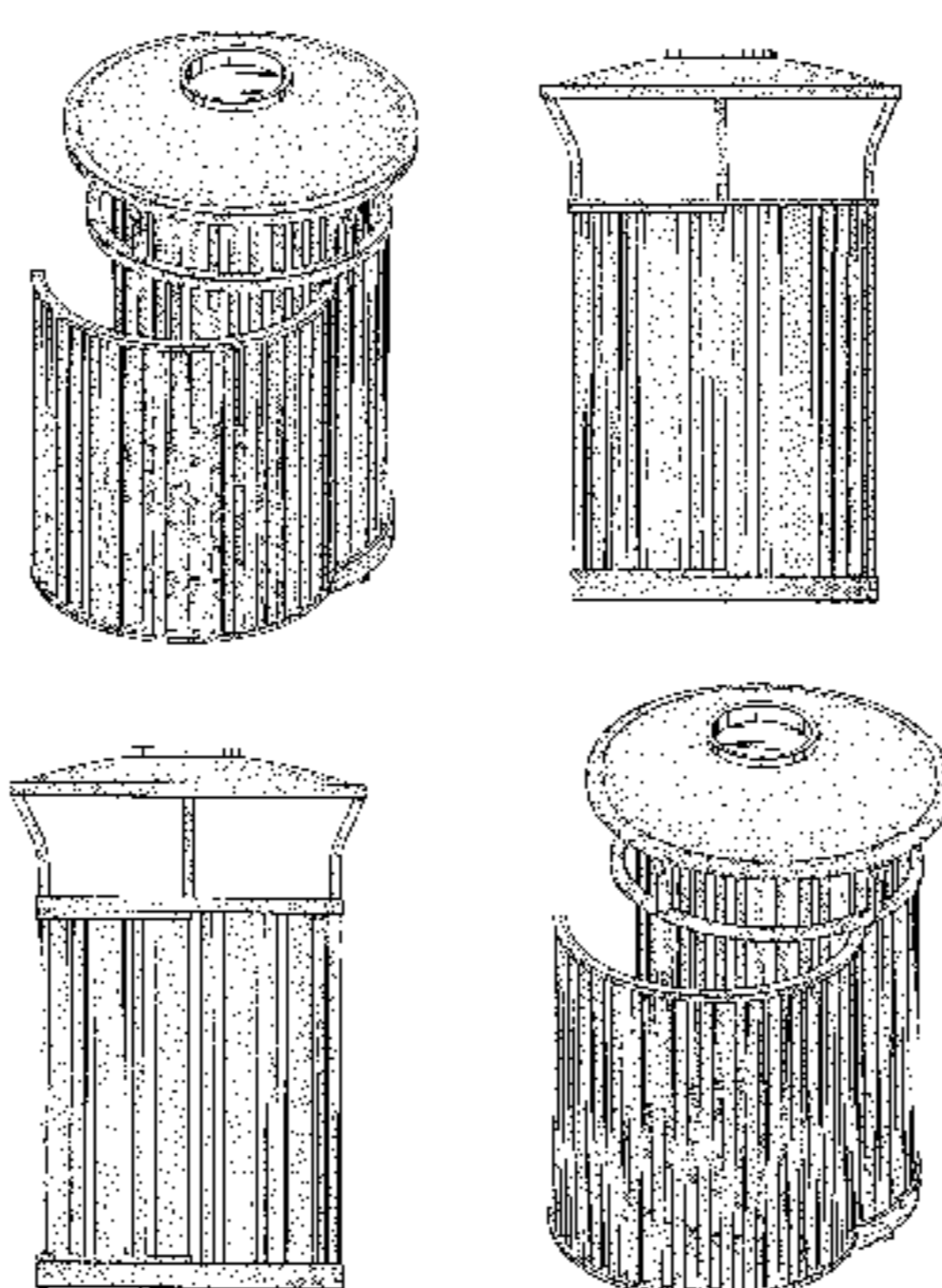
FIG. 20 is a front elevational view of the trash can receptacle of FIG. 17, shown with the door in a closed position.

FIG. 21 is a rear elevational view of the trash can receptacle of FIG. 17, shown with the door in a closed position.

FIG. 22 is a top plan view of the trash can receptacle of FIG. 17, shown with the door in a closed position; and,

FIG. 23 is a bottom plan view of the trash can receptacle of FIG. 17, shown with the door in a closed position.

1 Claim, 10 Drawing Sheets



US D458,431 S

Page 2

U.S. PATENT DOCUMENTS

D353,250 S	*	12/1994	Skalka	D34/1	D397,361 S	*	8/1998	Goodman et al.	D34/1 X
D371,657 S	*	7/1996	Kirn et al.	D34/1	D421,824 S	*	3/2000	Hornyak	D34/1
5,624,050 A	*	4/1997	Haas	220/909 X	D423,166 S	*	4/2000	Hornyak	D34/1
D394,930 S	*	6/1998	Creske	D34/1	D424,769 S	*	5/2000	Hornyak	D34/1

* cited by examiner

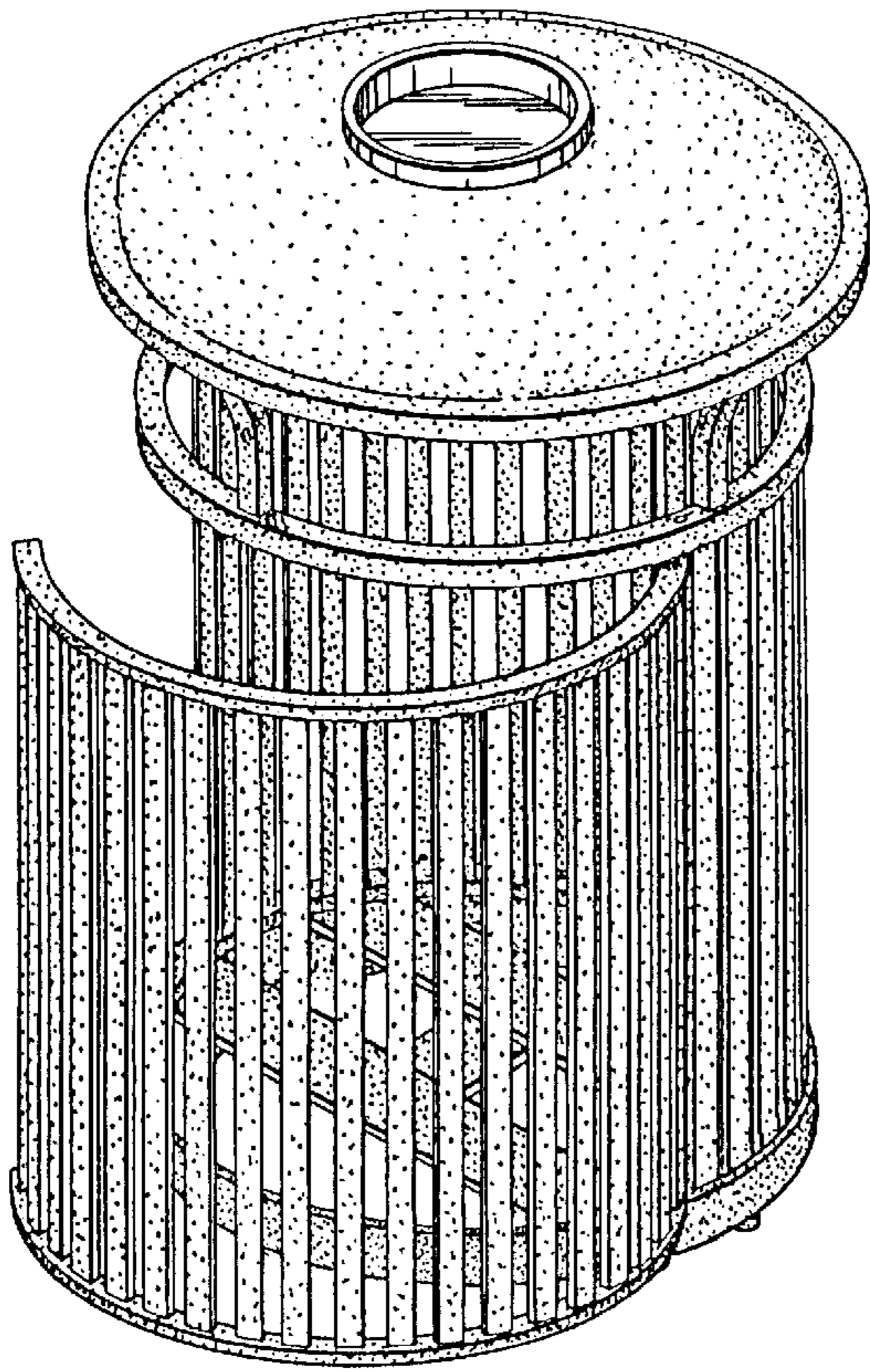


FIG. 1

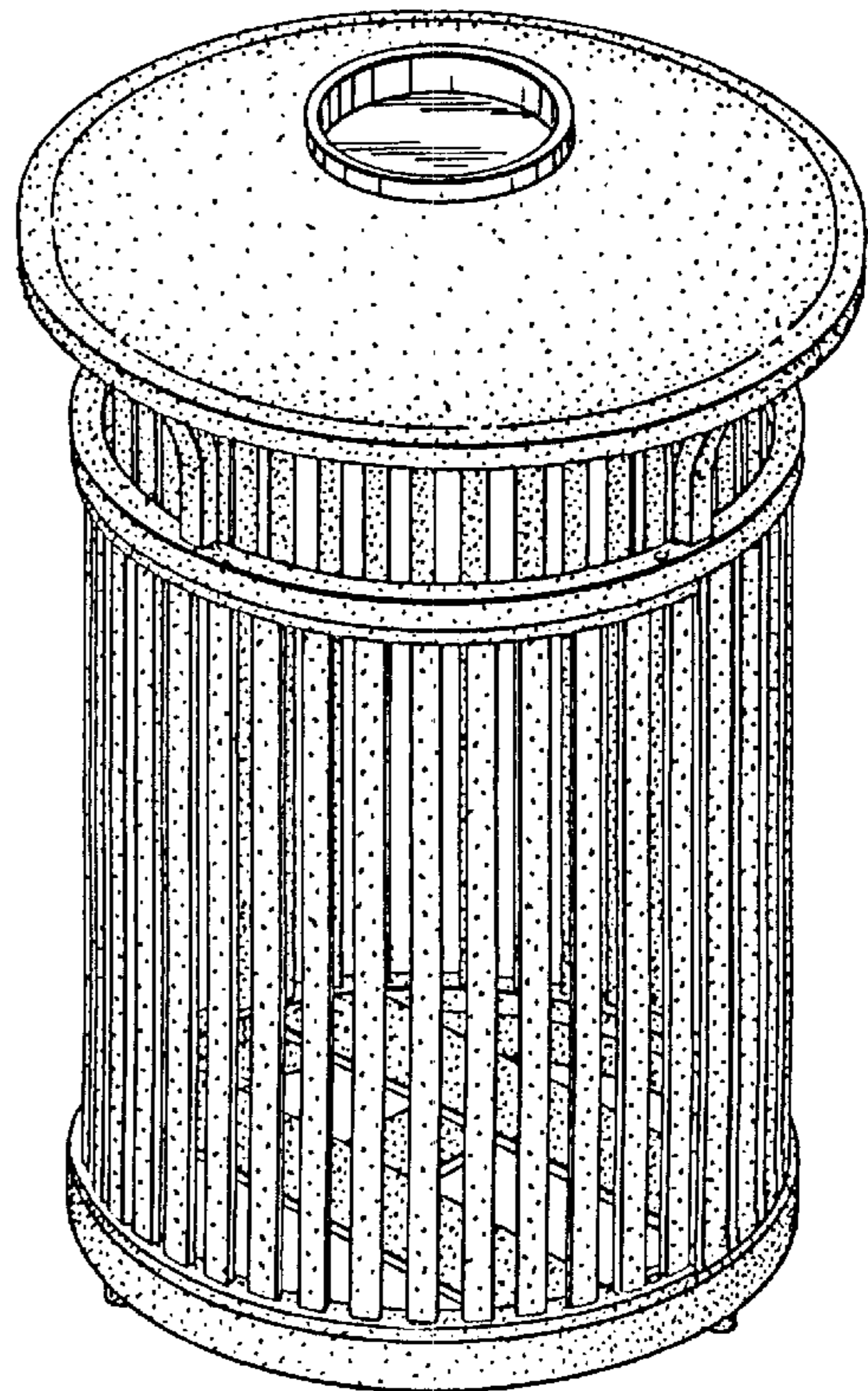


FIG. 2

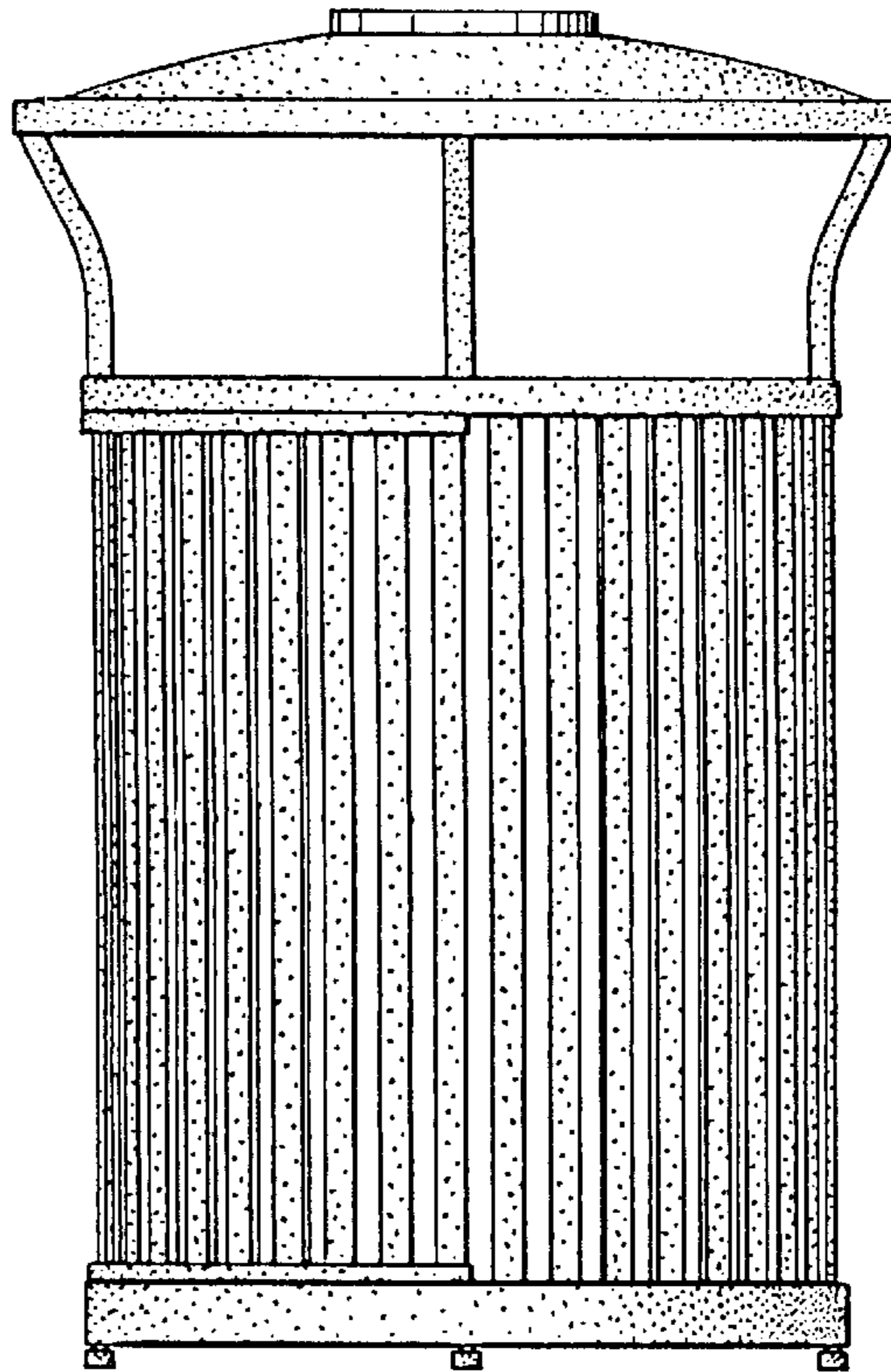


FIG. 3

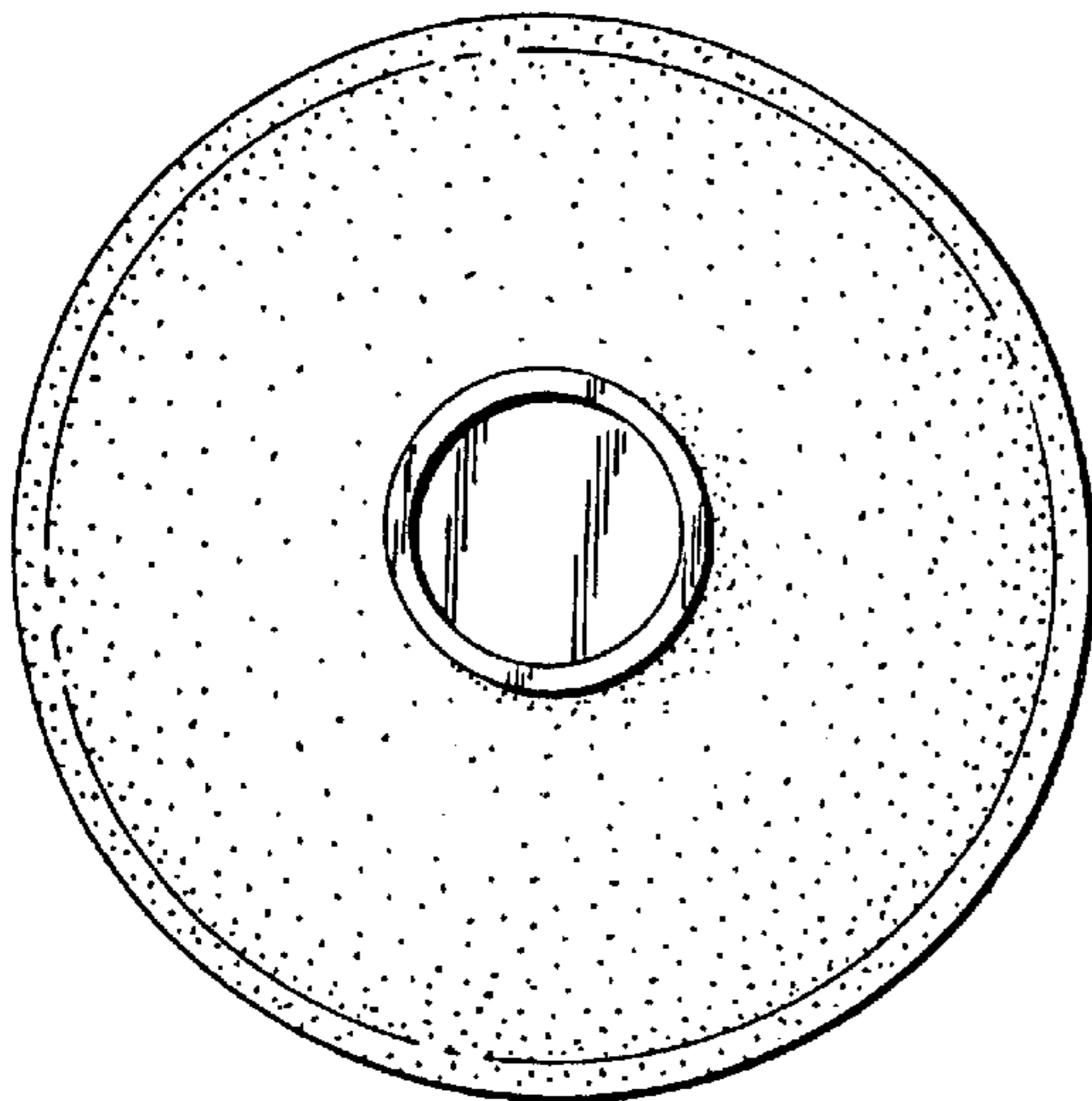


FIG. 6

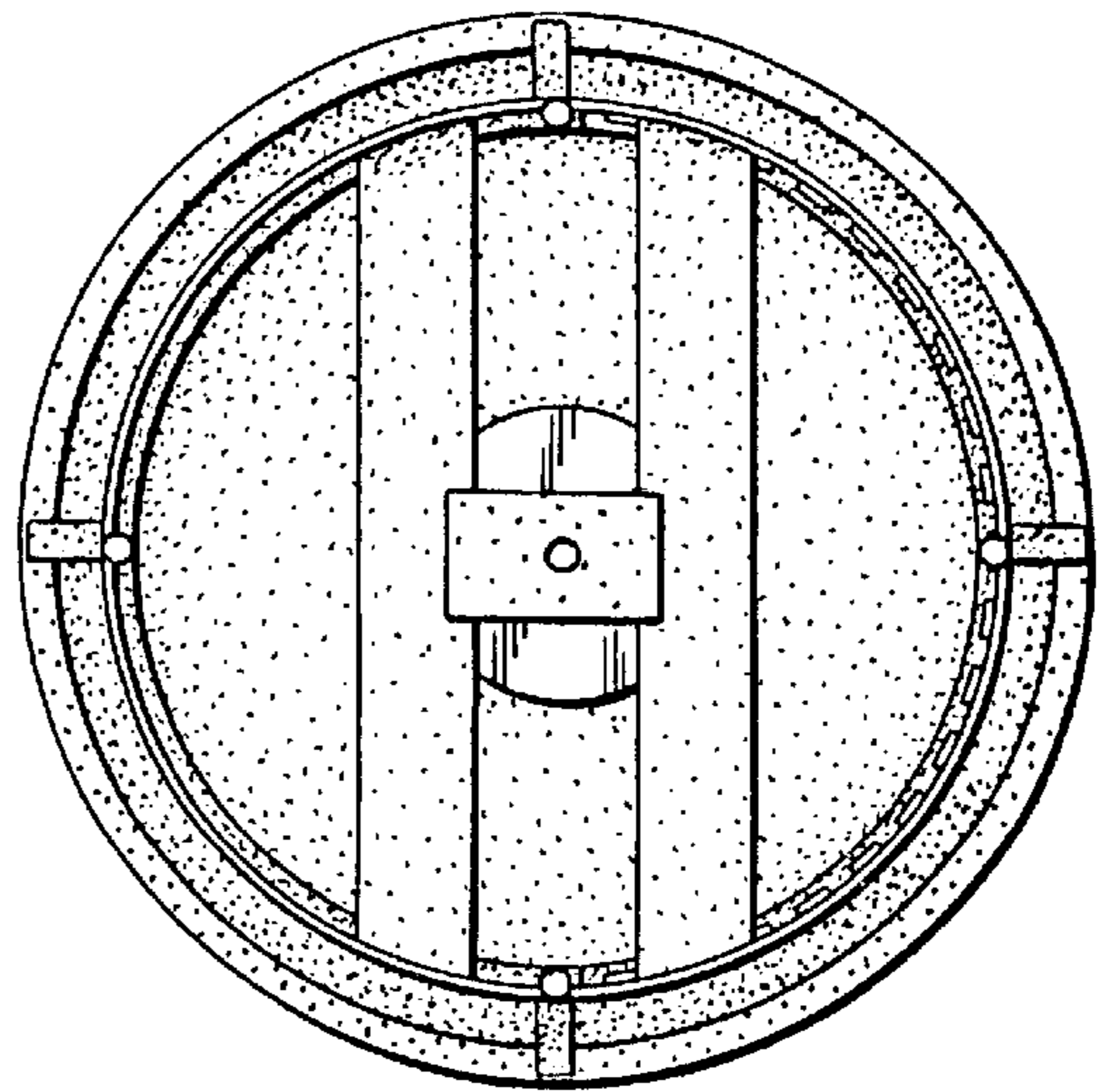


FIG. 7

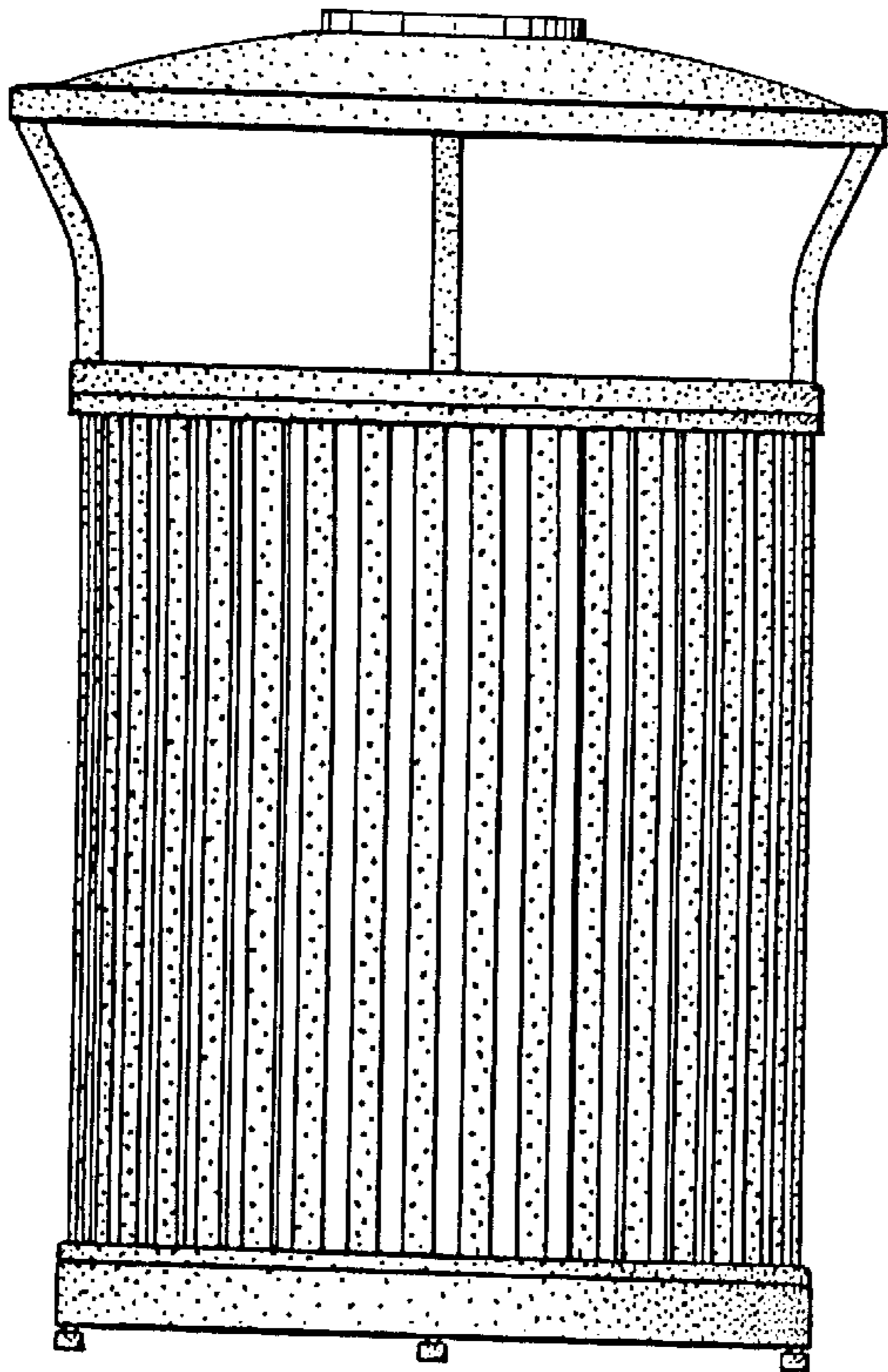


FIG. 4

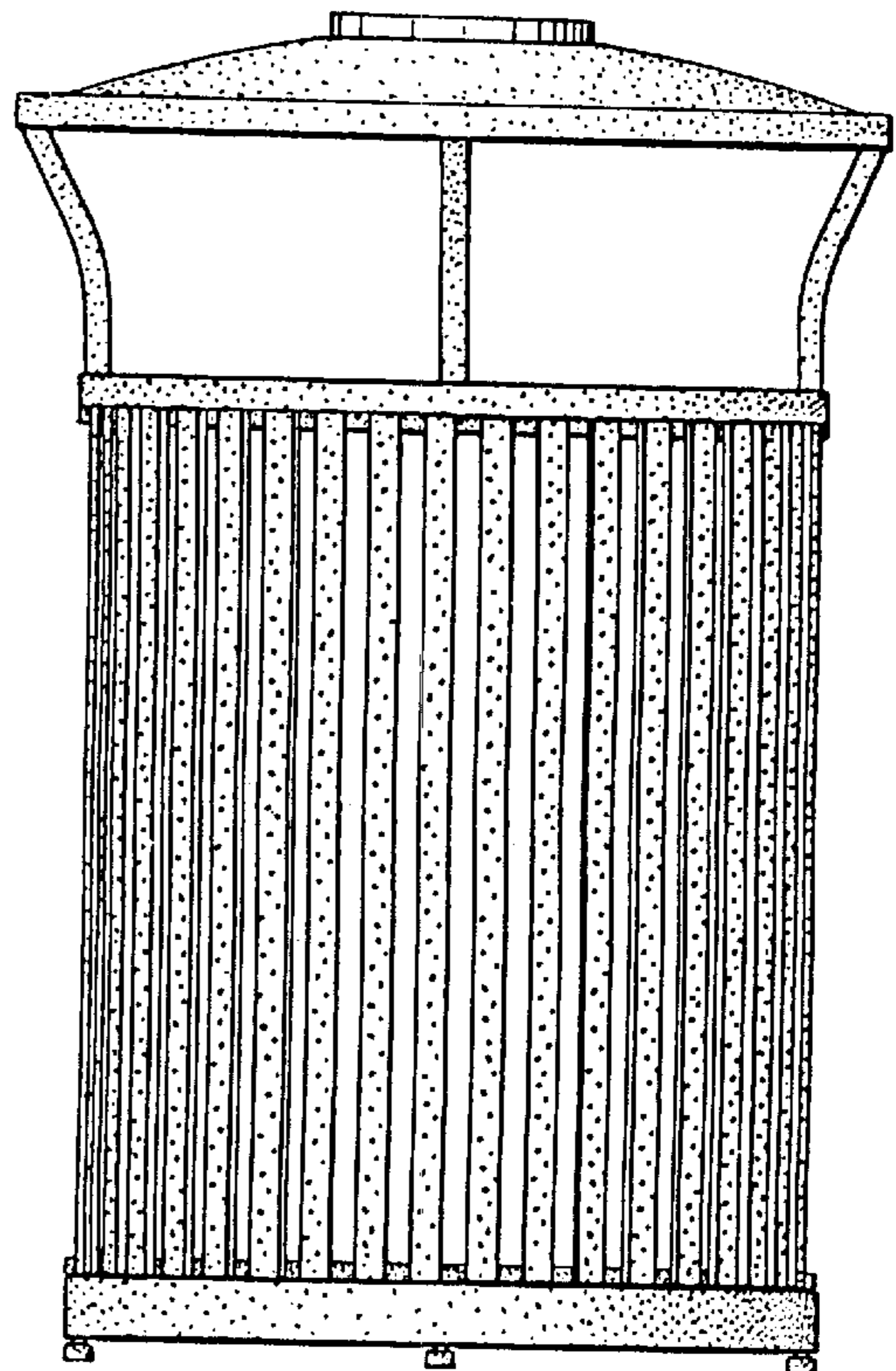


FIG. 5

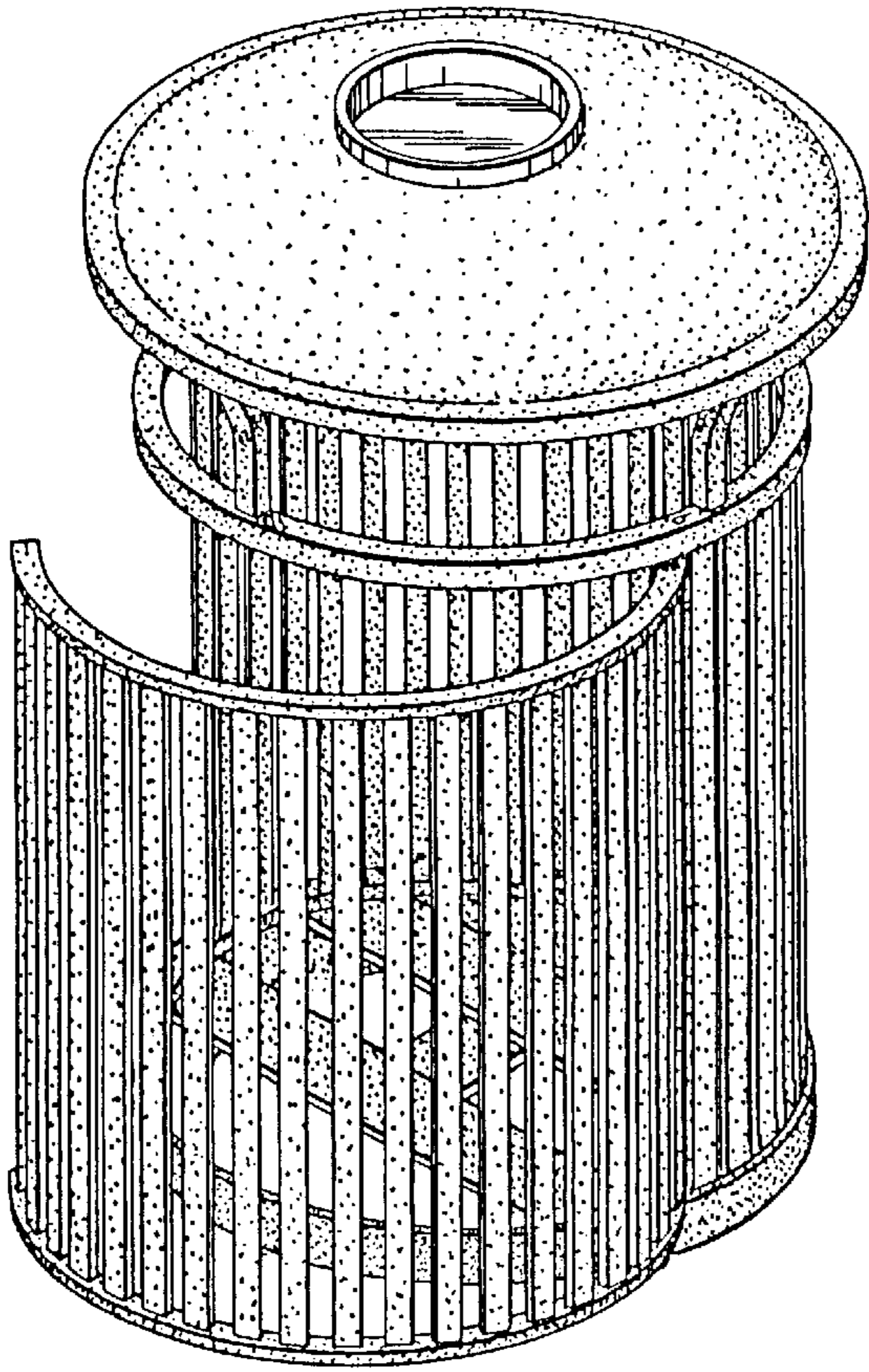


FIG. 8

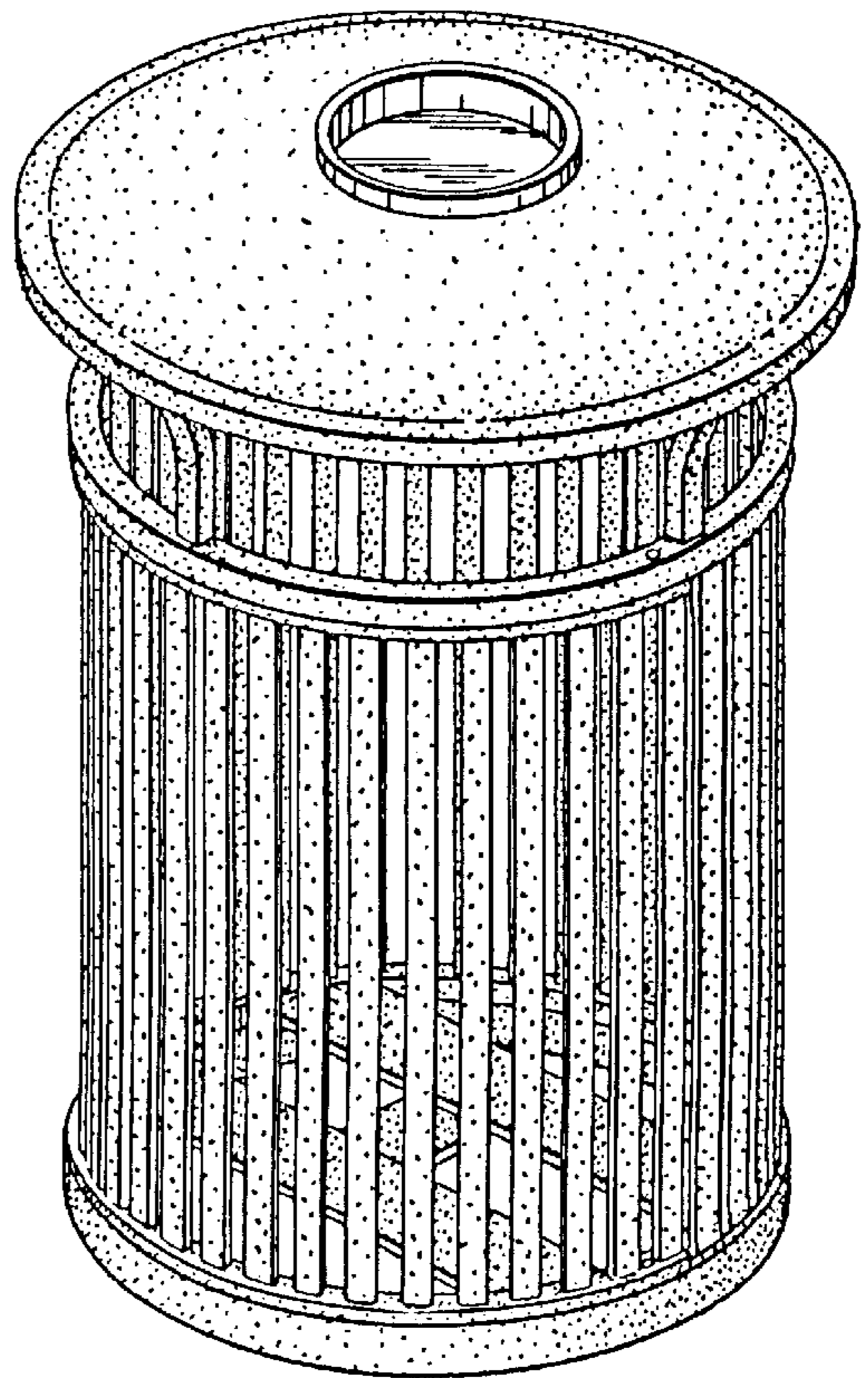


FIG. 9

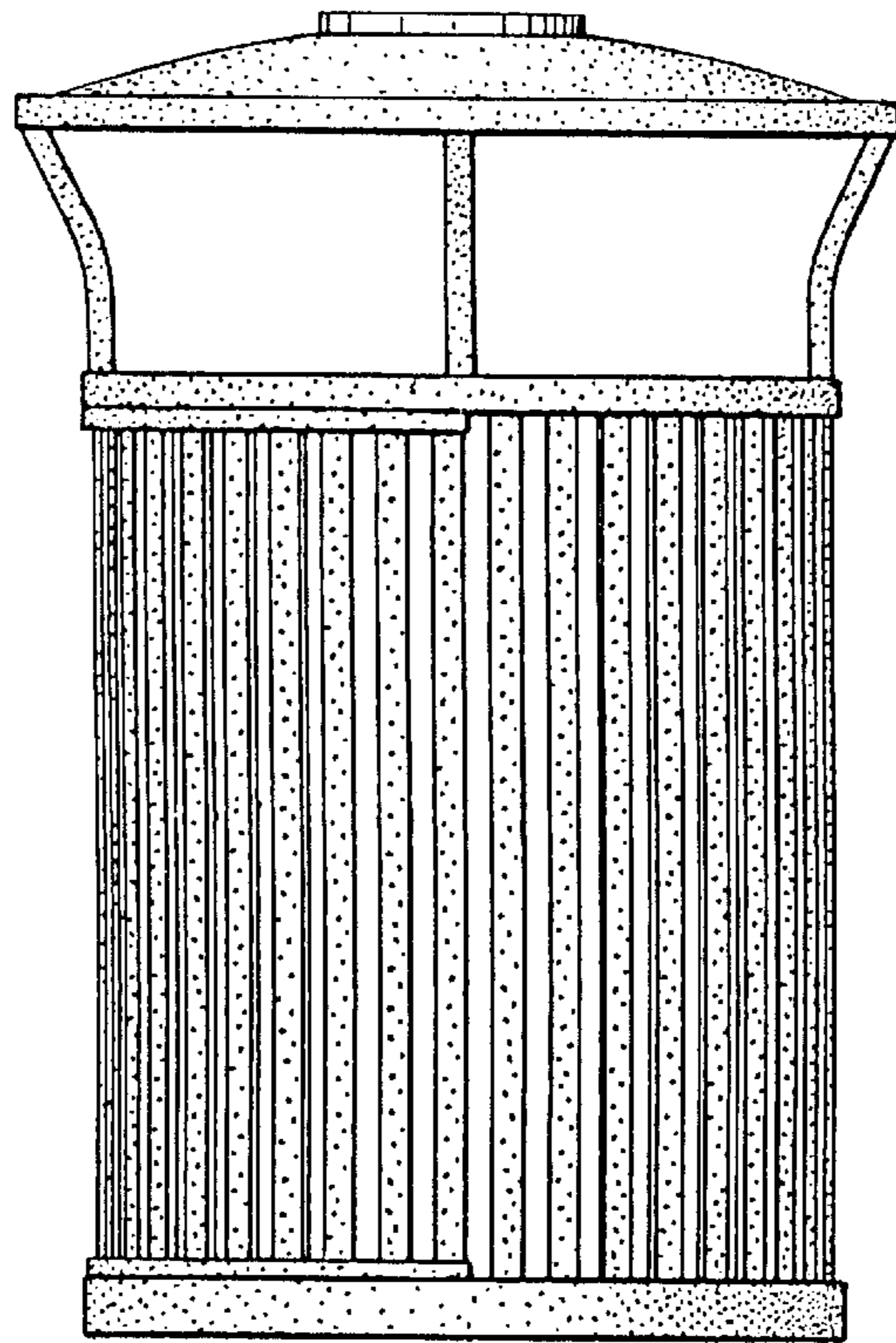


FIG. 10

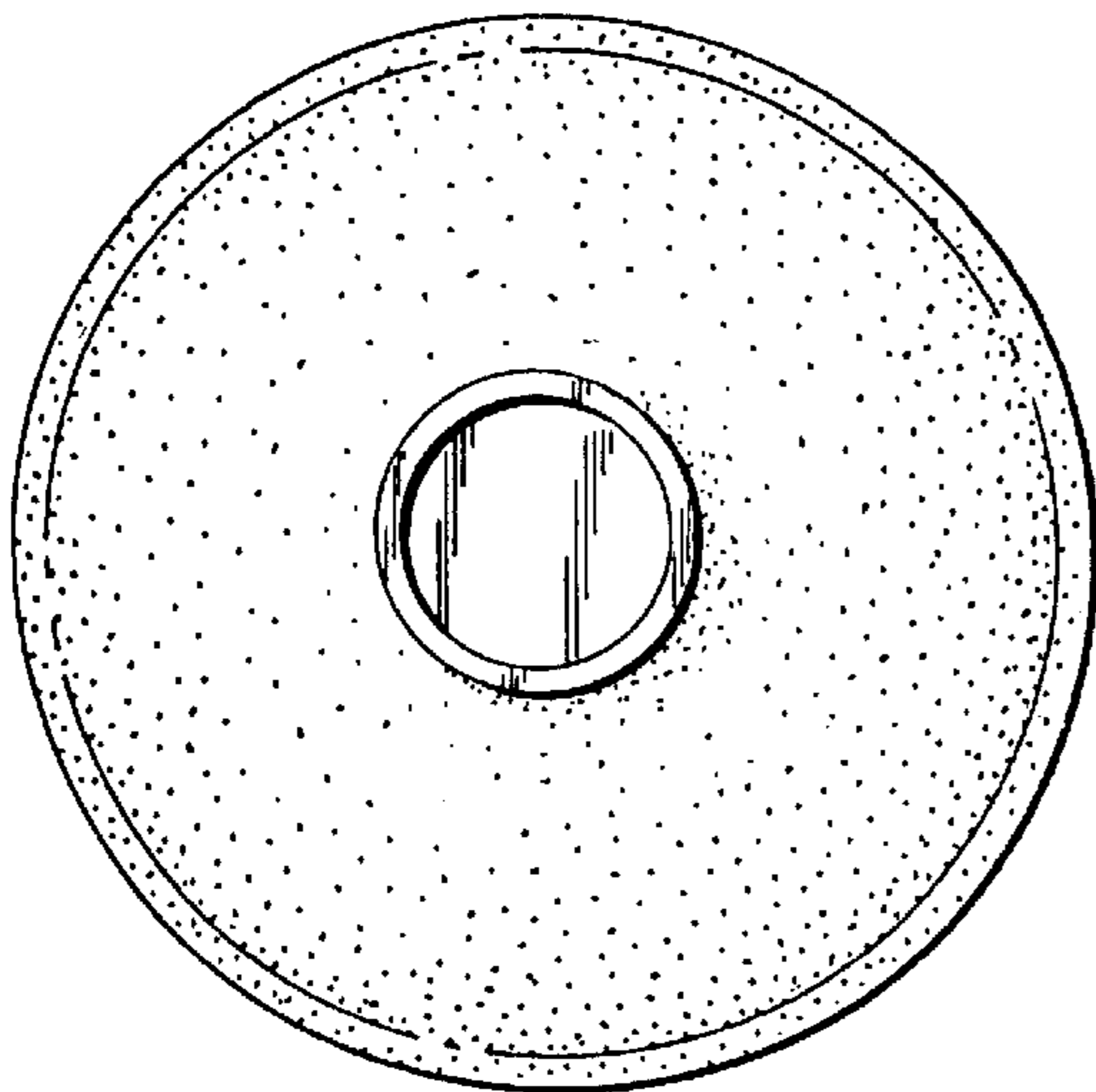


FIG. 13

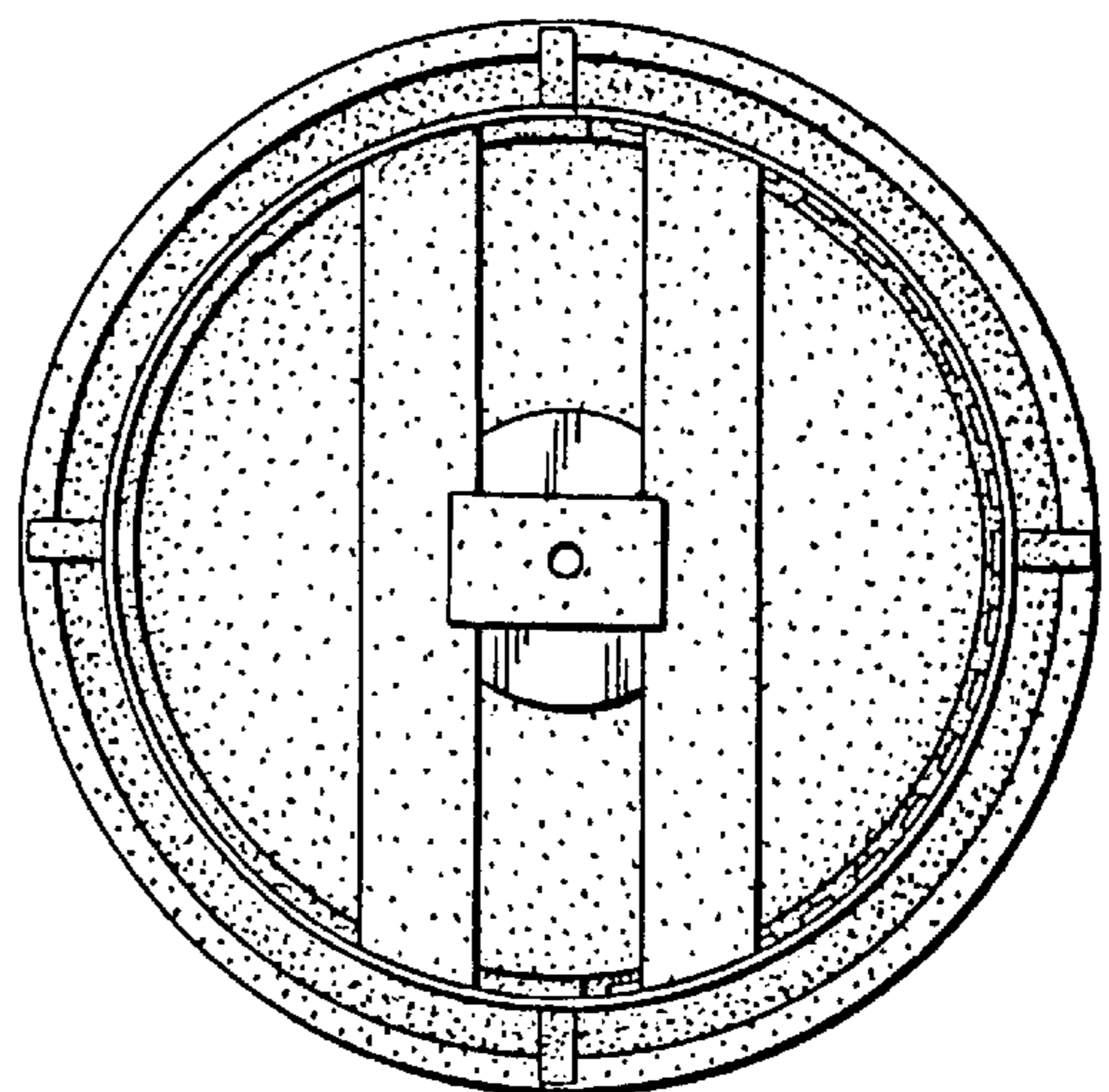


FIG. 14

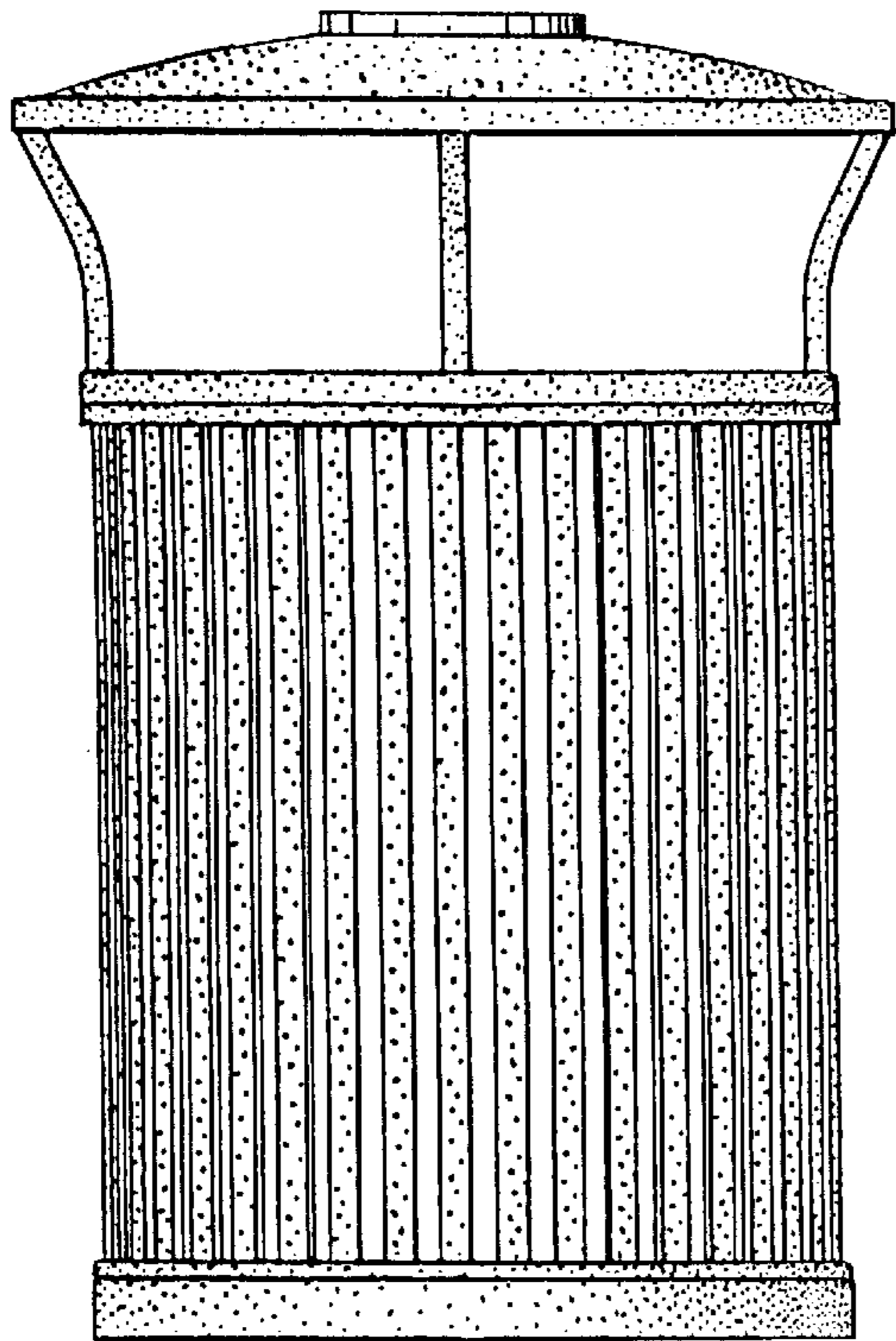


FIG. 11

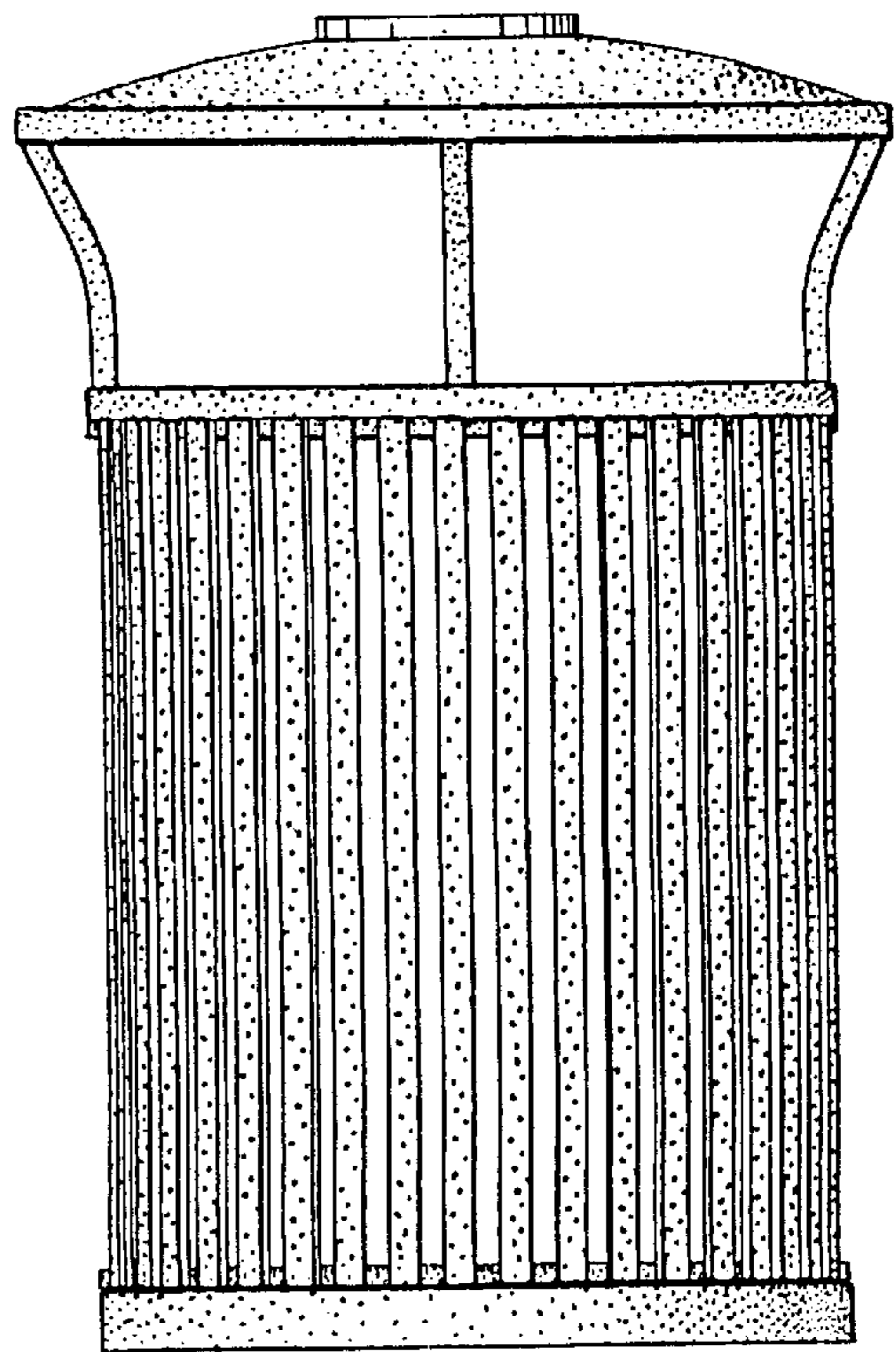


FIG. 12

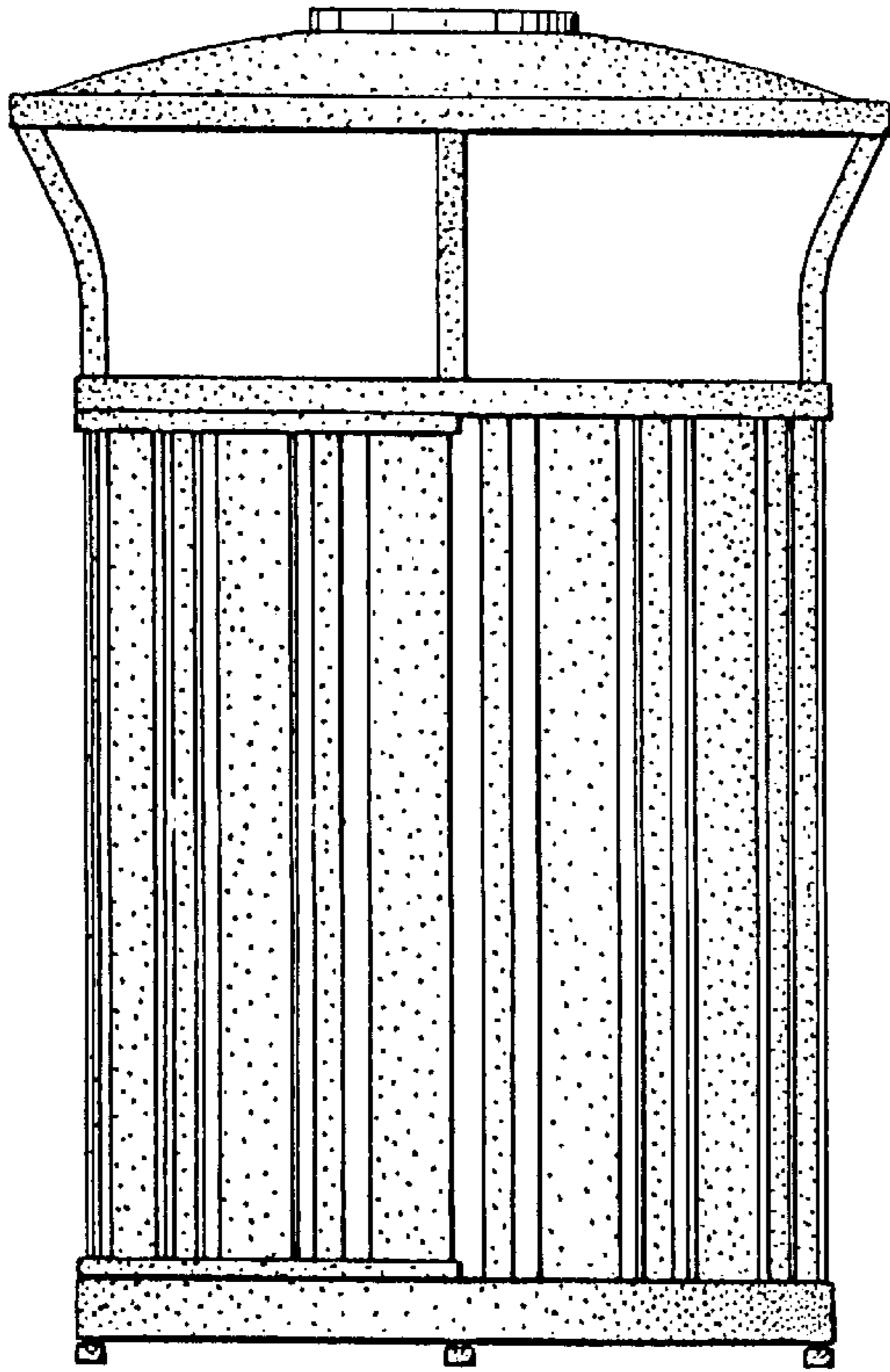


FIG. 15

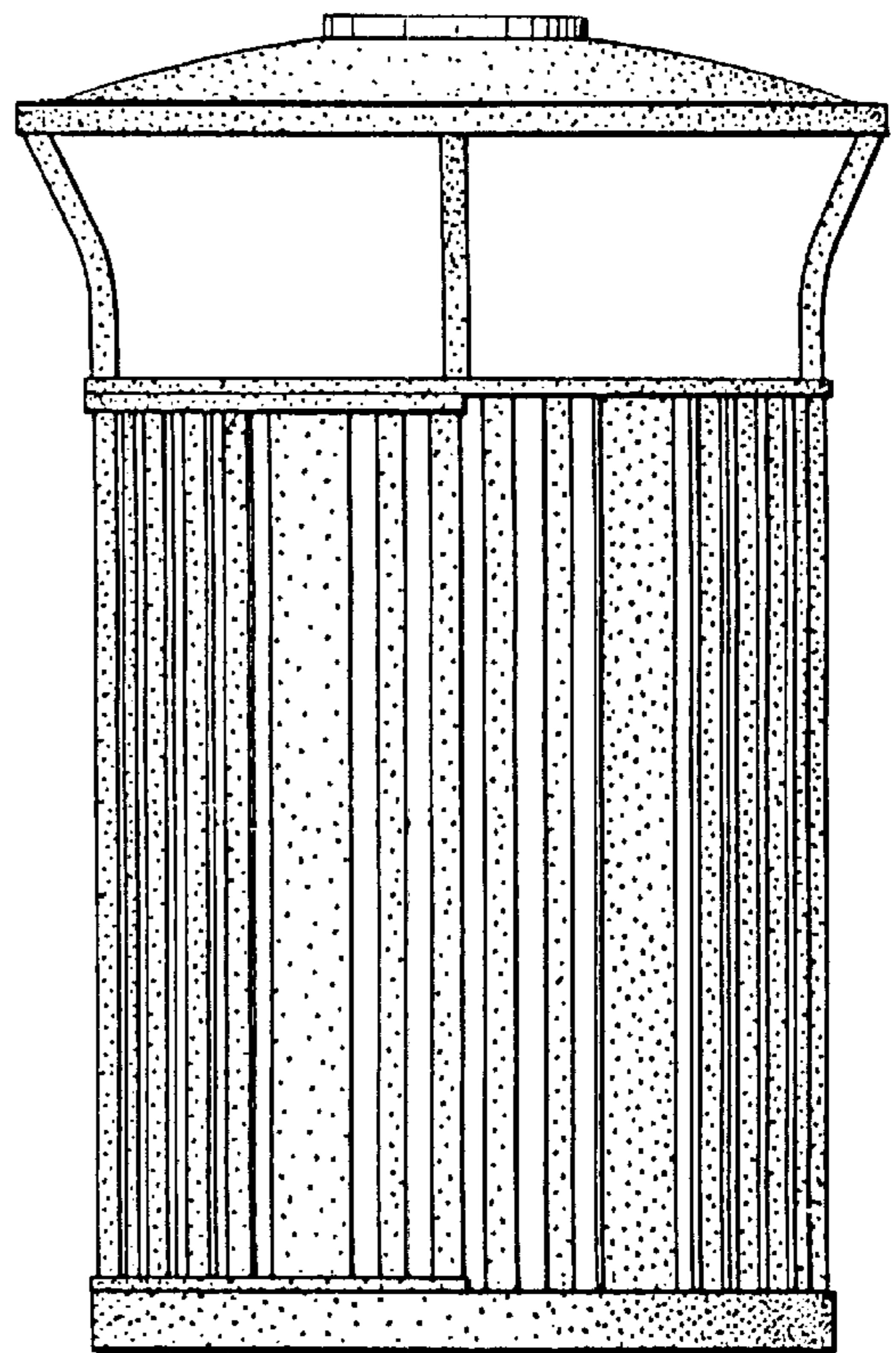


FIG. 16

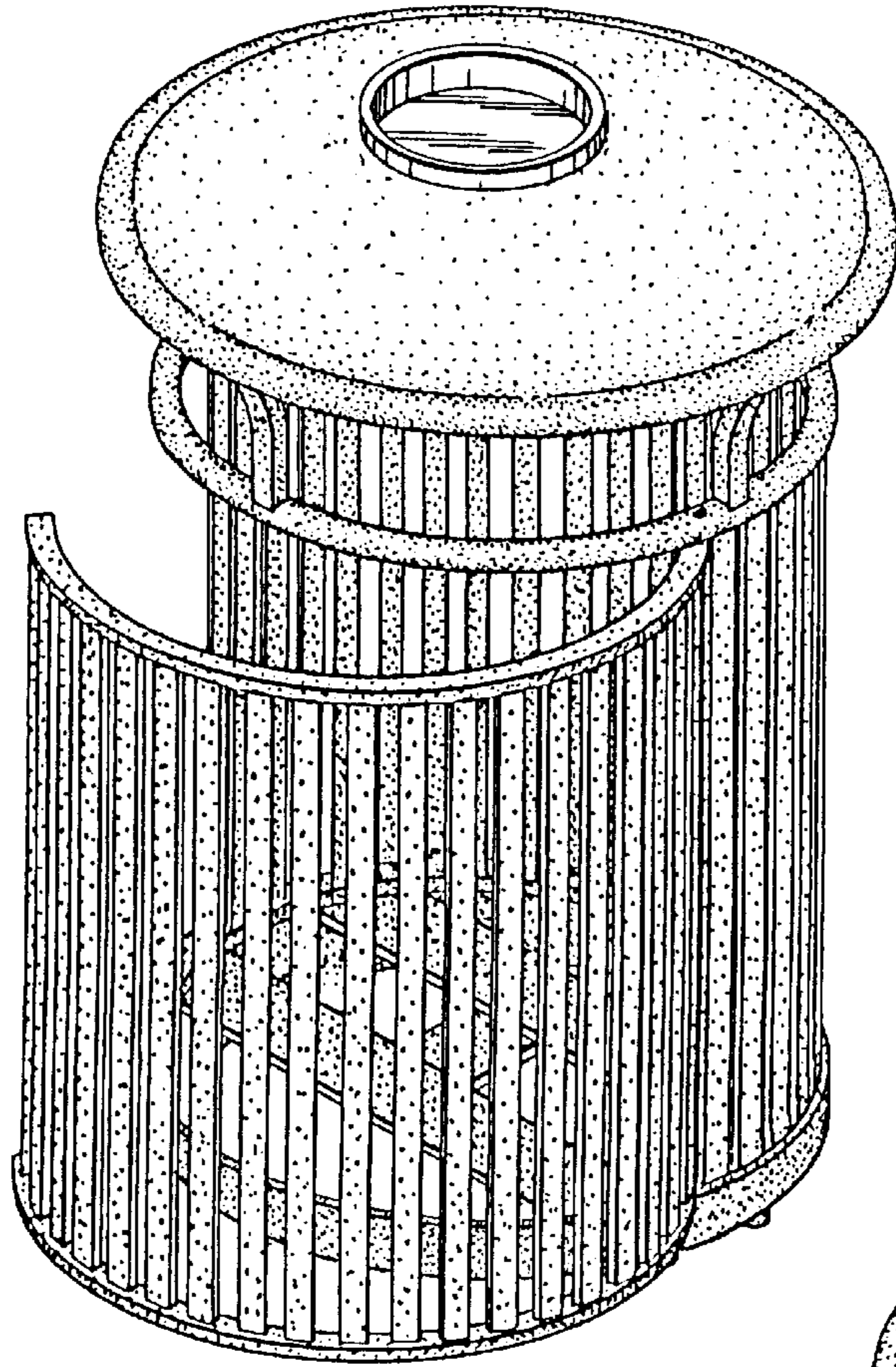


FIG. 17

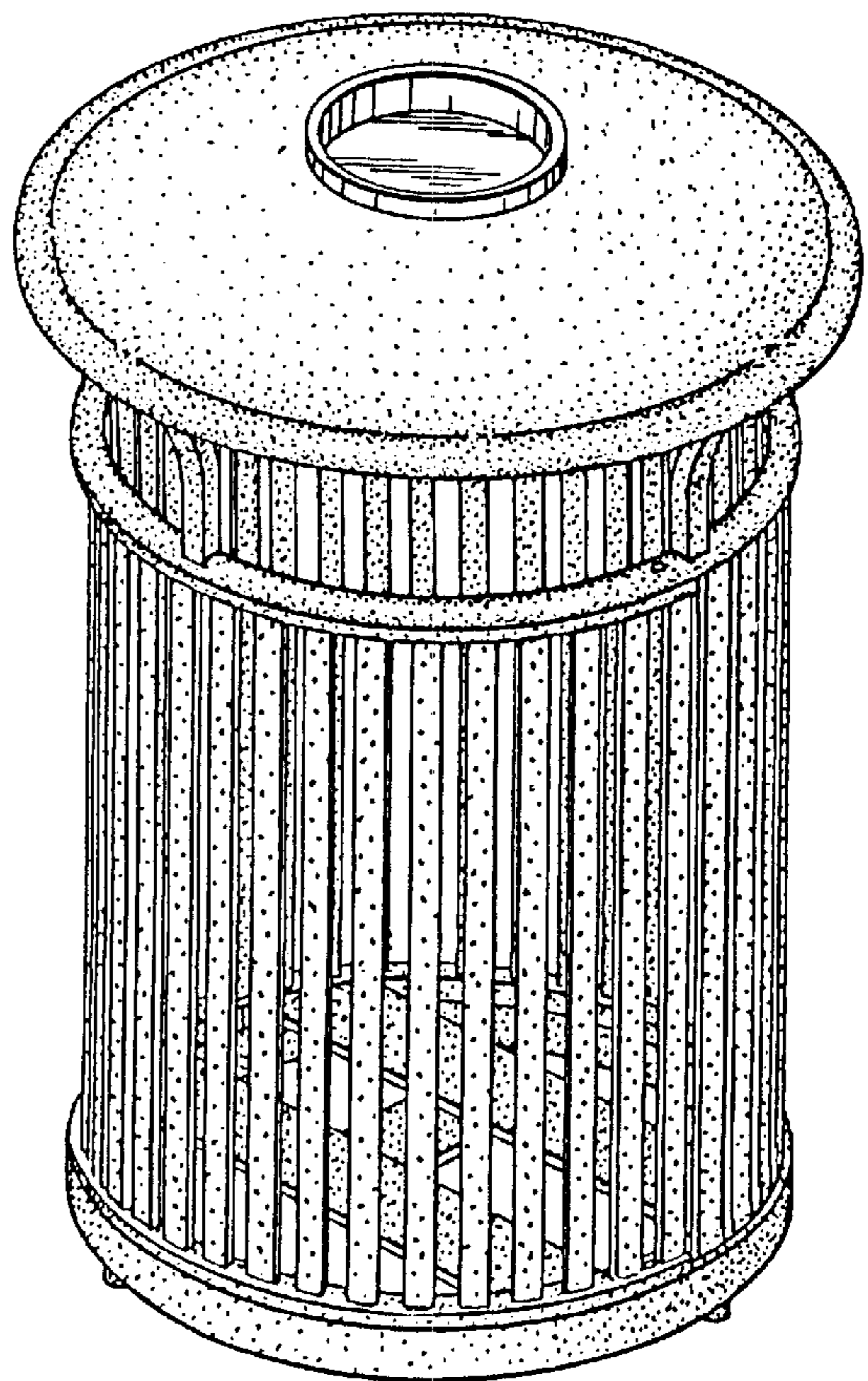


FIG. 18

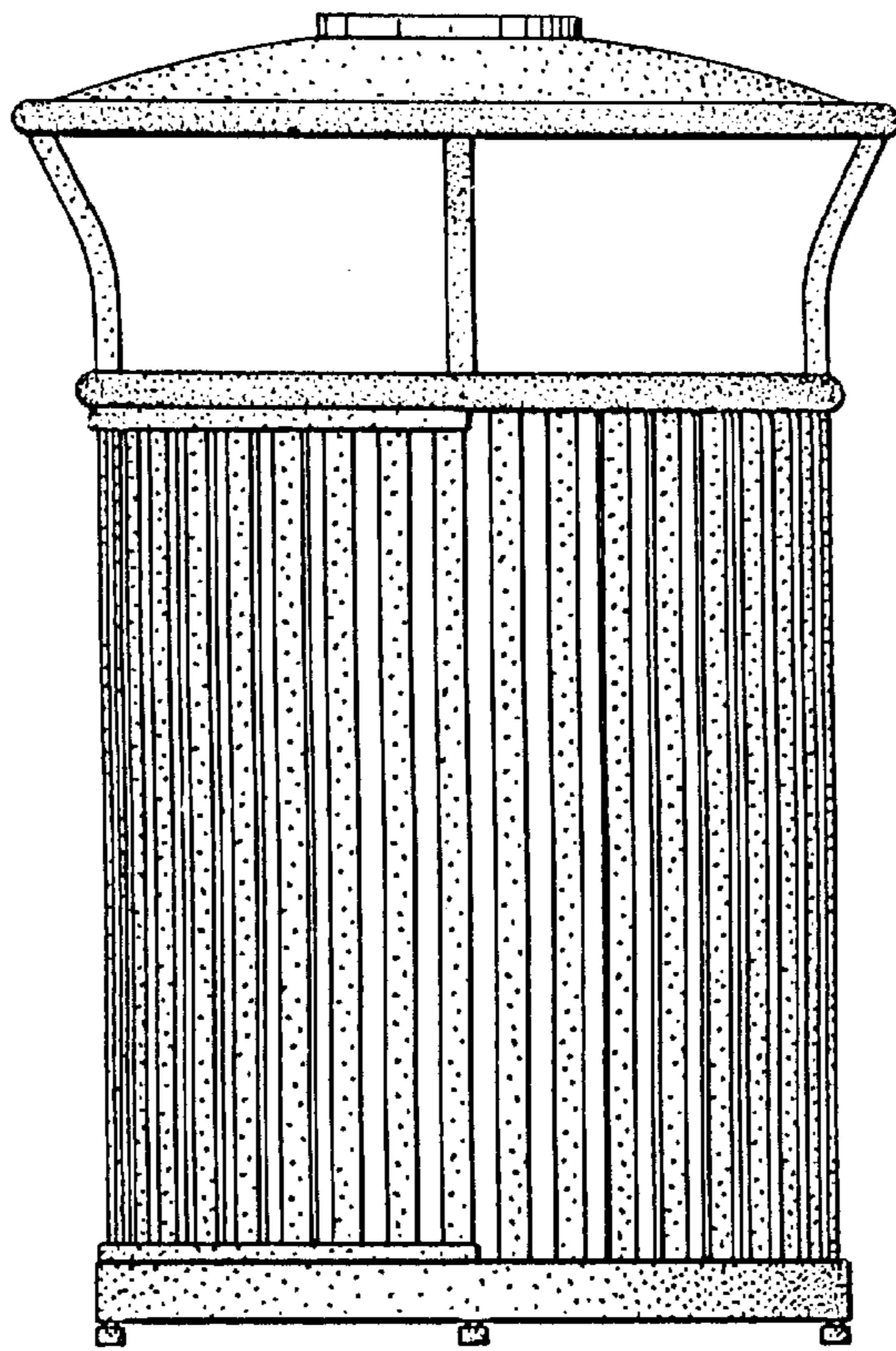


FIG. 19

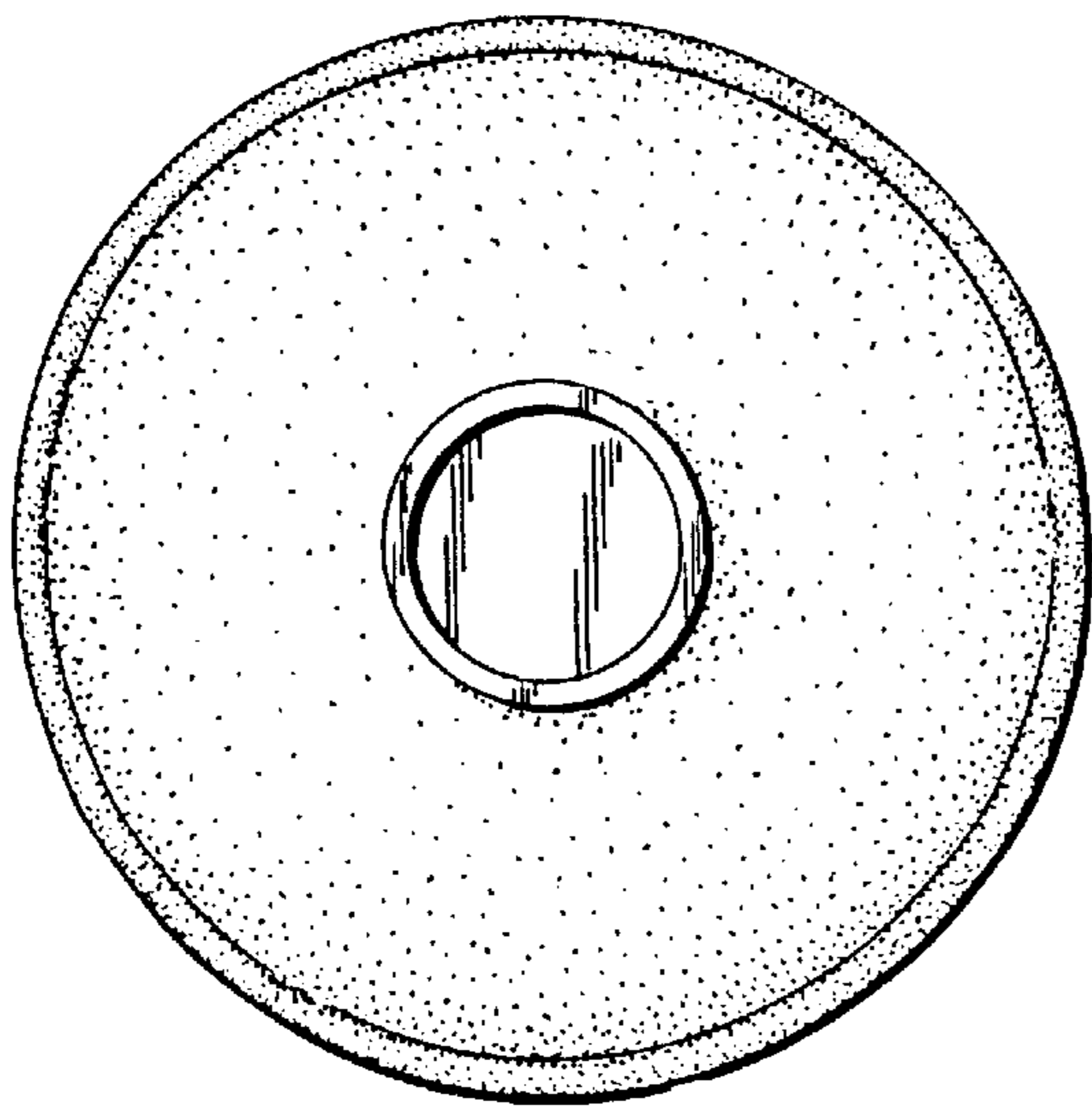


FIG. 22

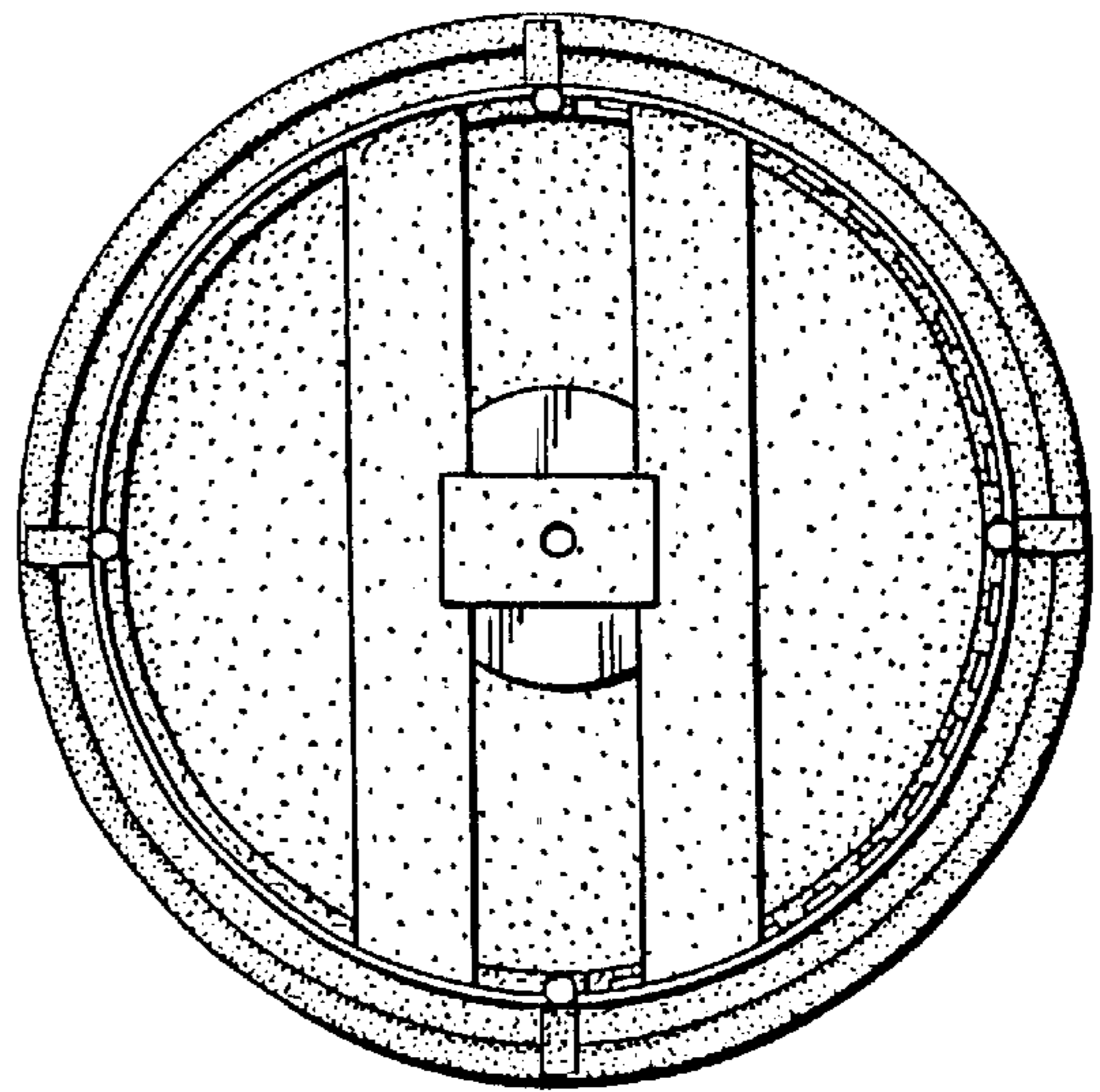


FIG. 23

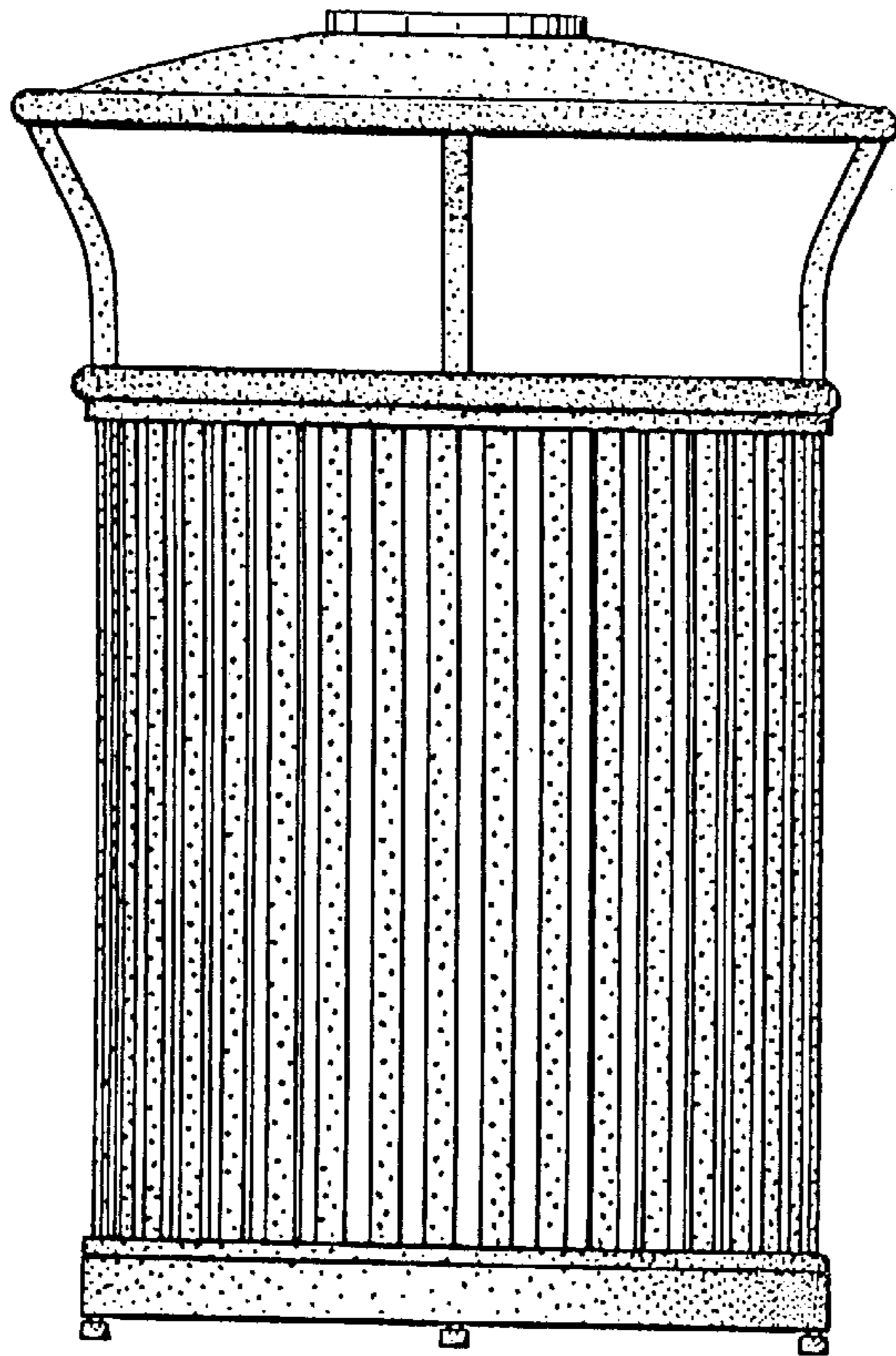


FIG. 20

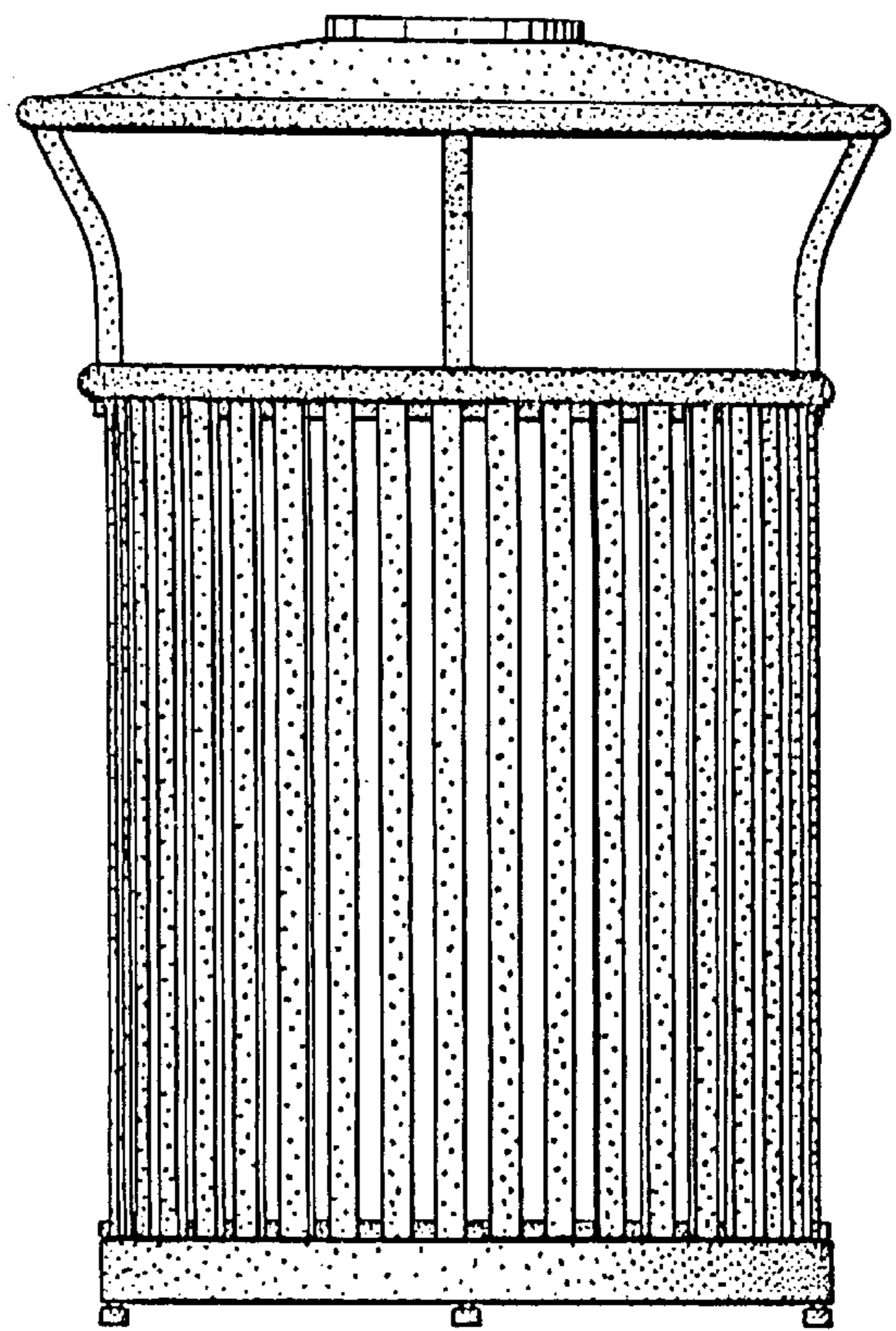


FIG. 21