



US00D458429S

(12) **United States Design Patent**
Lenard

(10) **Patent No.:** **US D458,429 S**

(45) **Date of Patent:** **** Jun. 4, 2002**

(54) **DIVIDED REFUSE CONTAINER**

(76) Inventor: **Sharon Shushon Lenard**, 392 N. Renn Ave., Fresno, CA (US) 93727

(**) Term: **14 Years**

(21) Appl. No.: **29/121,209**

(22) Filed: **Apr. 21, 2000**

(51) **LOC (7) Cl.** **09-09**

(52) **U.S. Cl.** **D34/1**

(58) **Field of Search** D34/1, 6, 5; 220/908, 220/909, 910, 911, 530, 531; D32/37

(56) **References Cited**

U.S. PATENT DOCUMENTS

4,576,310	A	*	3/1986	Isgar et al.	220/530
4,721,226	A	*	1/1988	Yurko	220/908
4,763,808	A	*	8/1988	Guhl et al.	220/908
4,765,579	A	*	8/1988	Robbins, III et al.	220/909
5,082,139	A	*	1/1992	Quam	220/530
D335,730	S	*	5/1993	Tessner et al.	D34/7
5,484,078	A	*	1/1996	Bronovicki	220/531
D405,576	S	*	2/1999	Rausch	D34/1

D414,987	S	*	10/1999	Moffett, III et al.	D34/7 X
D429,399	S	*	8/2000	Swanson	D34/5
D430,372	S	*	8/2000	Howard et al.	D34/1
D433,548	S	*	11/2000	Baines et al.	D32/37
D436,705	S	*	1/2001	Dow et al.	D34/5
D441,511	S	*	5/2001	Windle	D34/1

* cited by examiner

Primary Examiner—Cynthia E. Ramirez

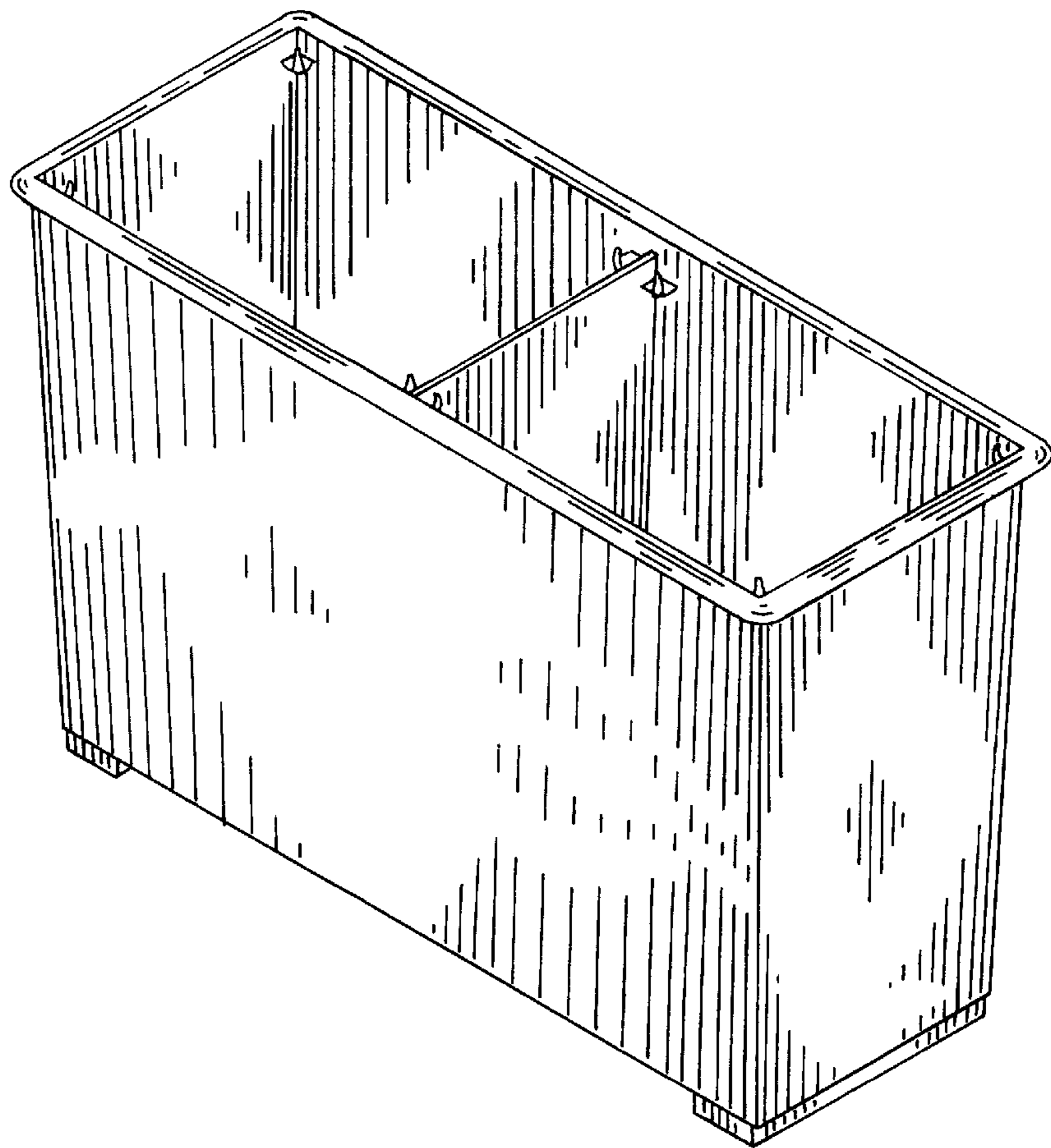
(57) **CLAIM**

The ornamental design for a divided refuse container, as shown.

DESCRIPTION

FIG. 1 is a Perspective view of a divided refuse container showing my new design;
FIG. 2 is a Front view thereof;
FIG. 3 is a Back view thereof;
FIG. 4 is a Top view thereof;
FIG. 5 is a Bottom view thereof;
FIG. 6 is a Right Side view thereof; and,
FIG. 7 is a Left Side view thereof.

1 Claim, 2 Drawing Sheets



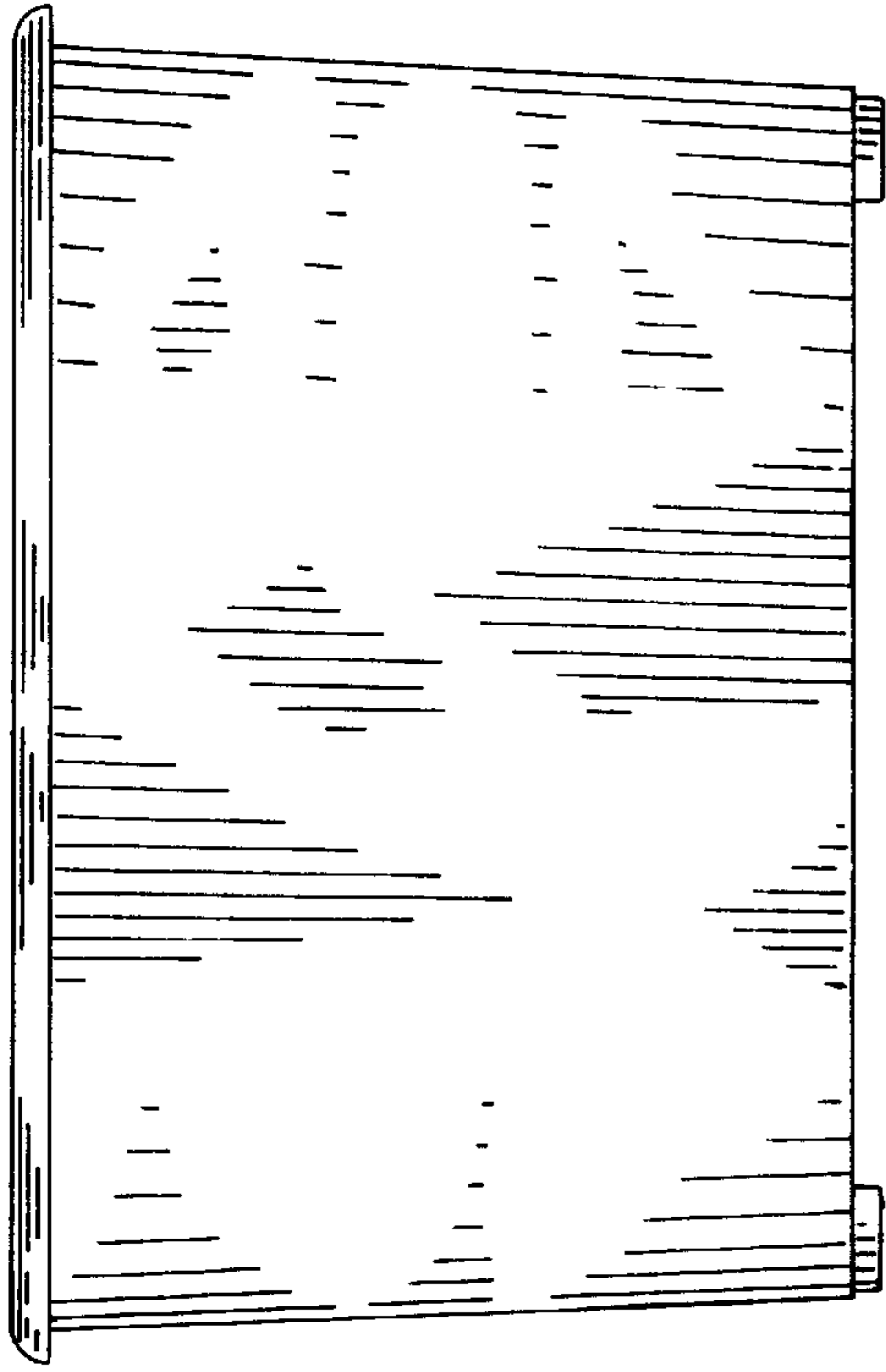


FIG. 2

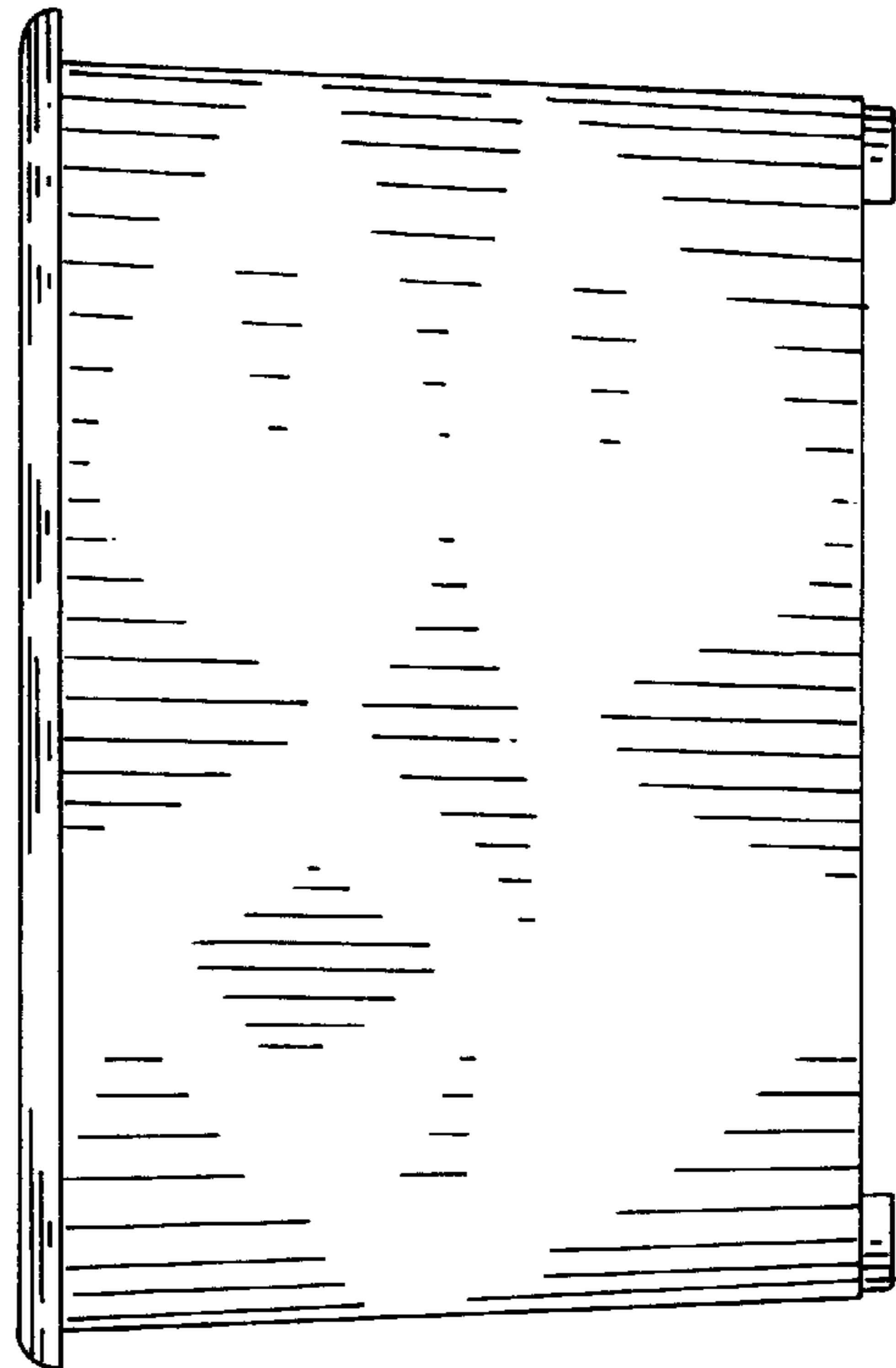


FIG. 3

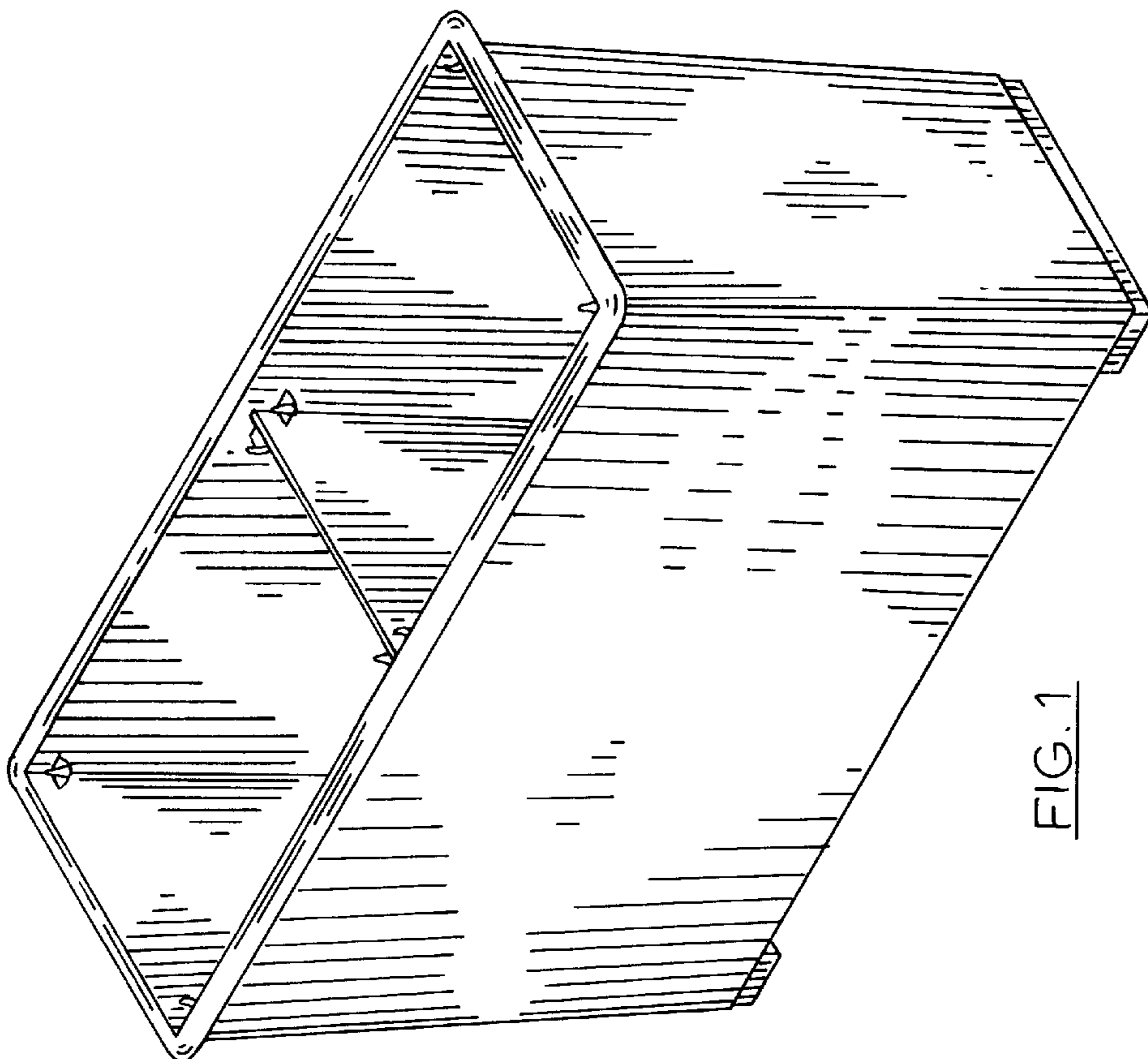


FIG. 1

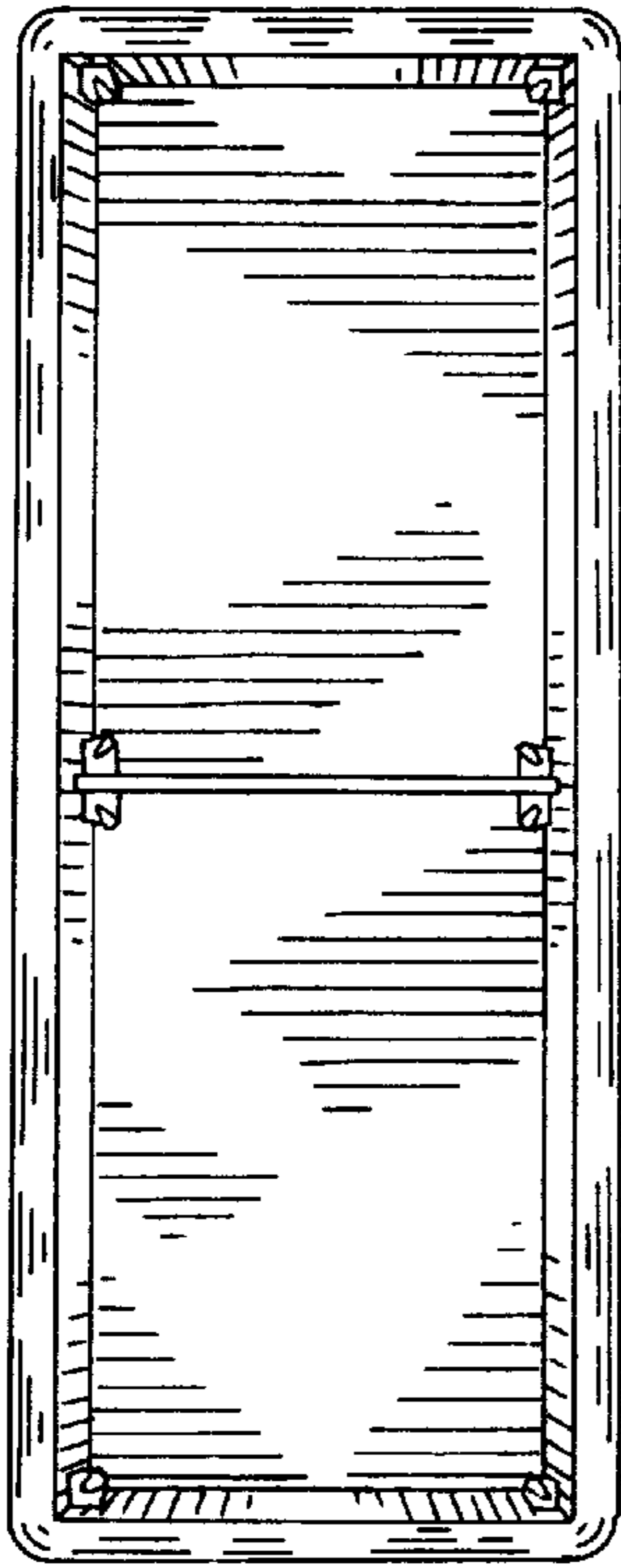


FIG. 4

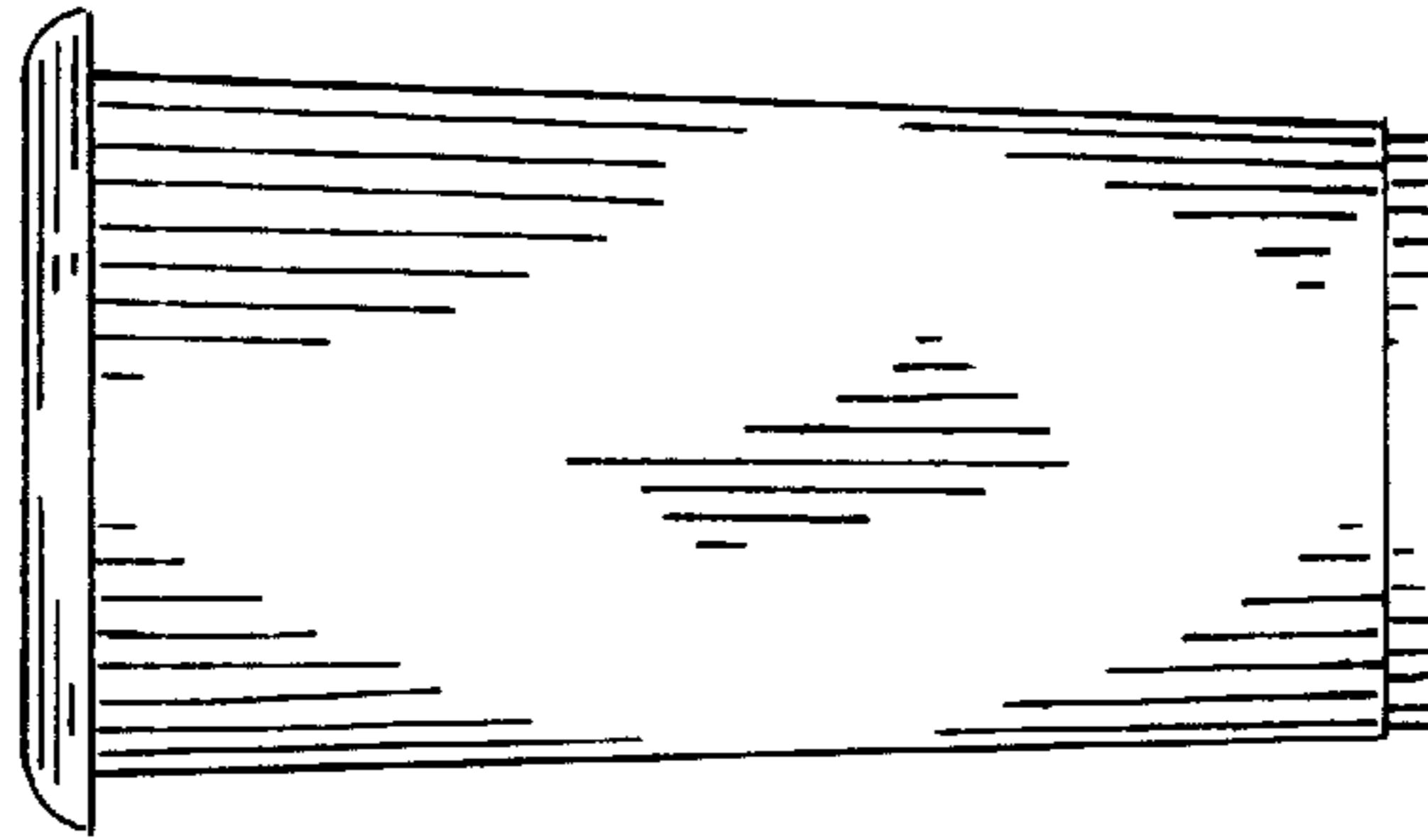


FIG. 6

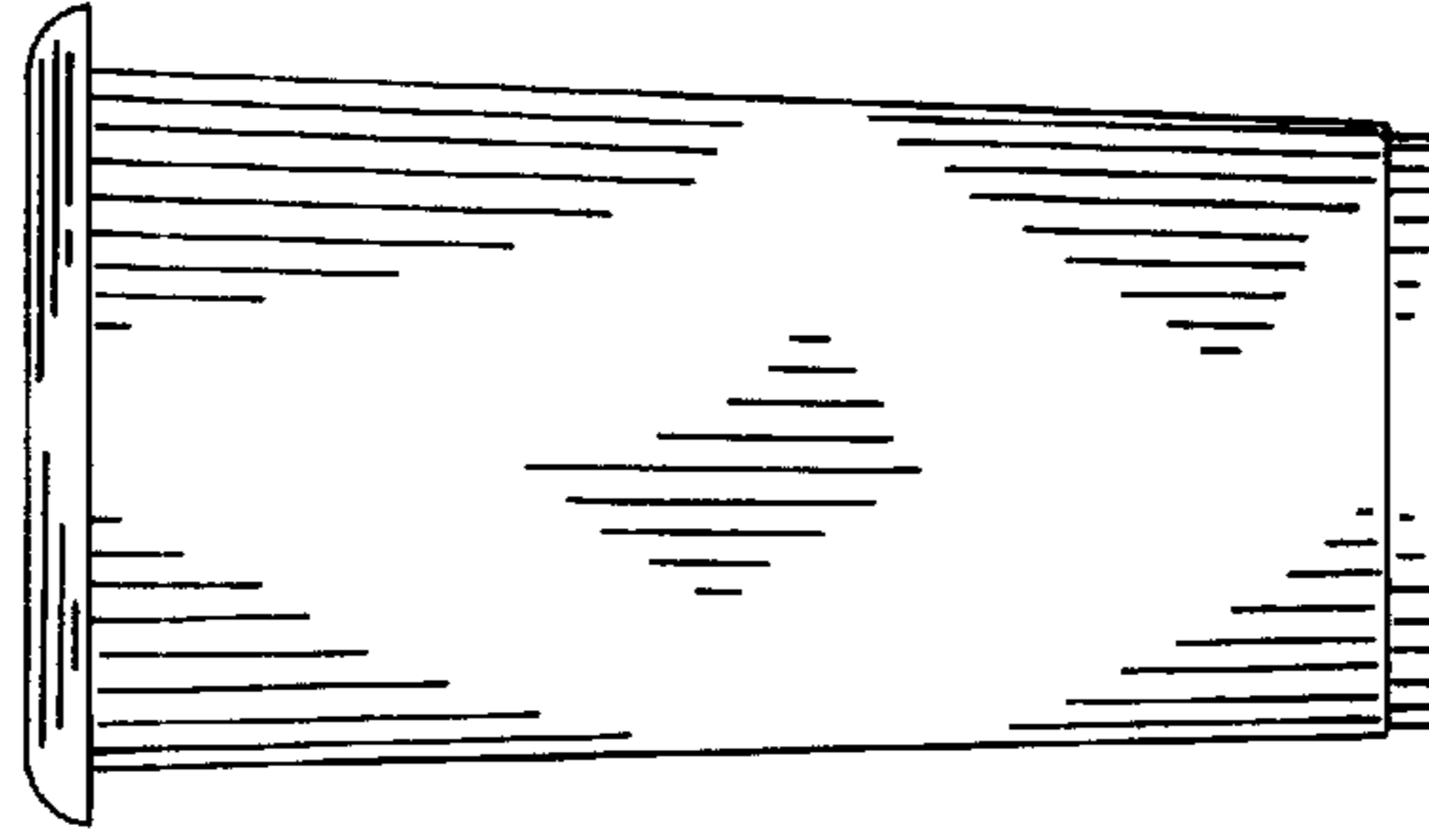


FIG. 7

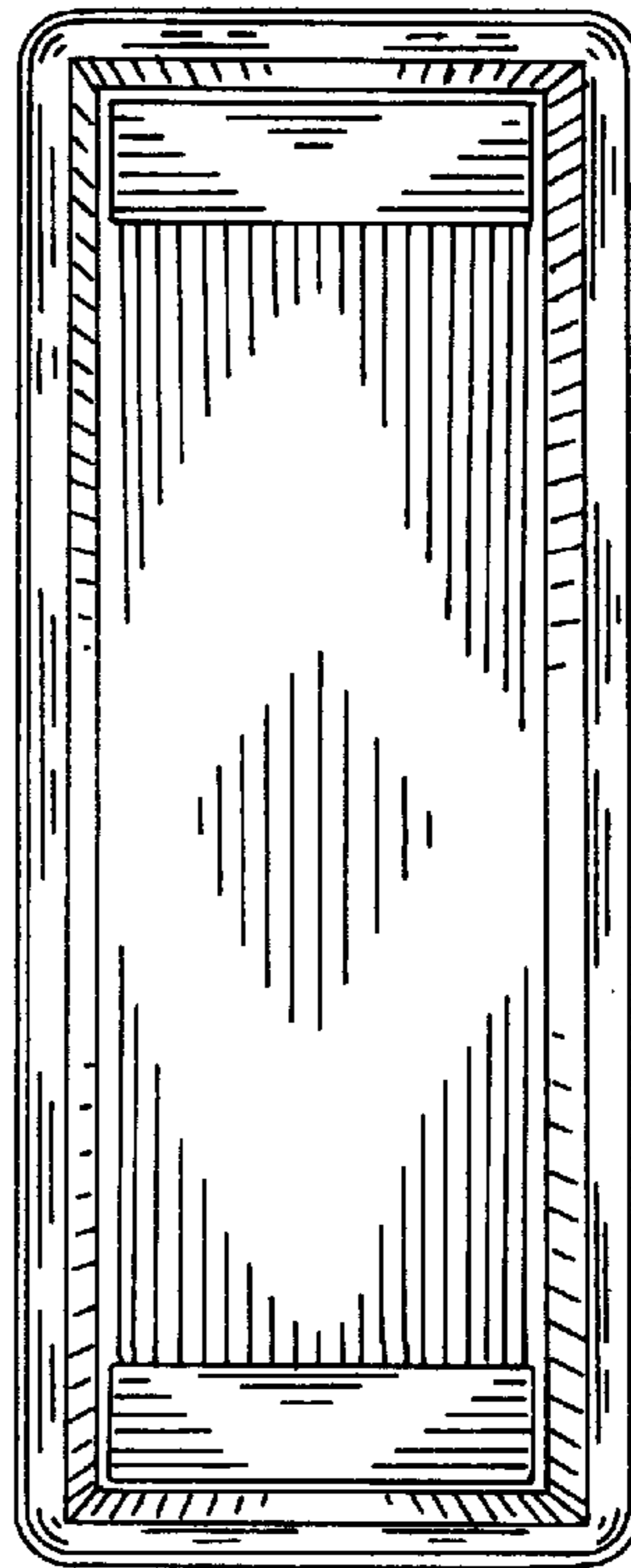


FIG. 5