



US00D458424S

(12) **United States Design Patent**
Chen

(10) **Patent No.:** **US D458,424 S**

(45) **Date of Patent:** **** Jun. 4, 2002**

(54) **STEAM CLEANER**

(76) **Inventor:** **Chung-ming Chen**, 2F, No.13, Lane
218, chuan-hsien St., Taipei (TW)

(**) **Term:** **14 Years**

(21) **Appl. No.:** **29/142,583**

(22) **Filed:** **May 31, 2001**

(51) **LOC (7) Cl.** **15-05**

(52) **U.S. Cl.** **D32/17**

(58) **Field of Search** D32/17-18, 21,
D32/25, 31; D28/50; D30/158, 199; D8/30;
15/344, 329, 320, 350, 352, 413, 345, 409,
32; 132/112; 68/222; 134/172, 198, 105

(56) **References Cited**

U.S. PATENT DOCUMENTS

D314,846 S	*	2/1991	deBlois	D32/18
D315,622 S	*	3/1991	deBlois et al.	D32/18
5,341,541 A	*	8/1994	Sham	15/320
D388,562 S	*	12/1997	Doria	D32/17

5,870,851 A	*	2/1999	Shoemaker	43/114
D421,670 S	*	3/2000	Schupp	D32/17
6,314,972 B1	*	11/2001	Sin	134/105

* cited by examiner

Primary Examiner—Ruth McInroy

(74) *Attorney, Agent, or Firm*—Bacon & Thomas, PLLC

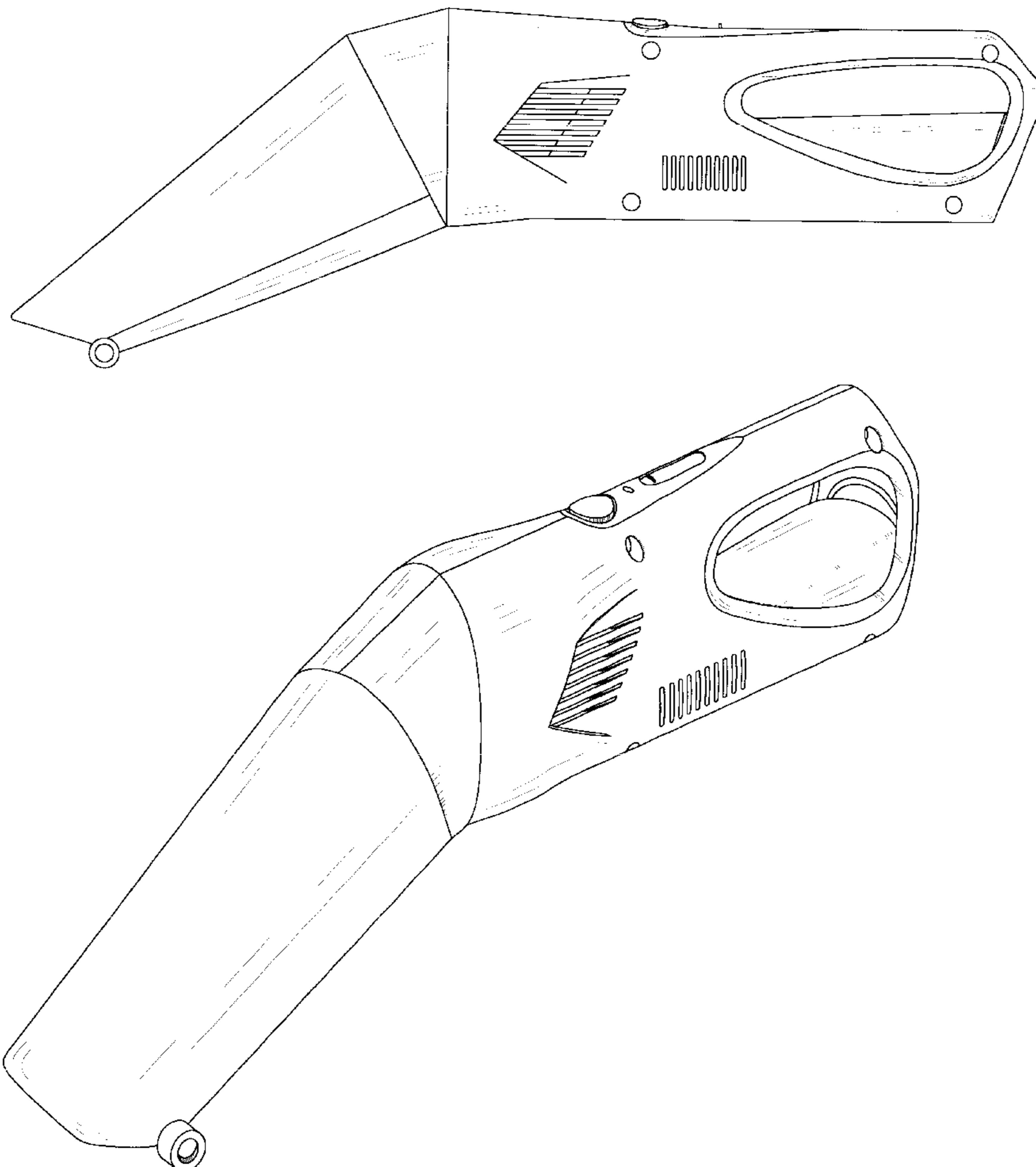
(57) **CLAIM**

The ornamental design for a steam cleaner, as shown and described.

DESCRIPTION

FIG. 1 is a front elevational view of a steam cleaner showing my design;
 FIG. 2 is a rear elevational view thereof;
 FIG. 3 is a left elevational view thereof;
 FIG. 4 is a right elevational view thereof;
 FIG. 5 is a top plan view thereof;
 FIG. 6 is a bottom plan view thereof; and,
 FIG. 7 is a perspective view thereof.

1 Claim, 4 Drawing Sheets



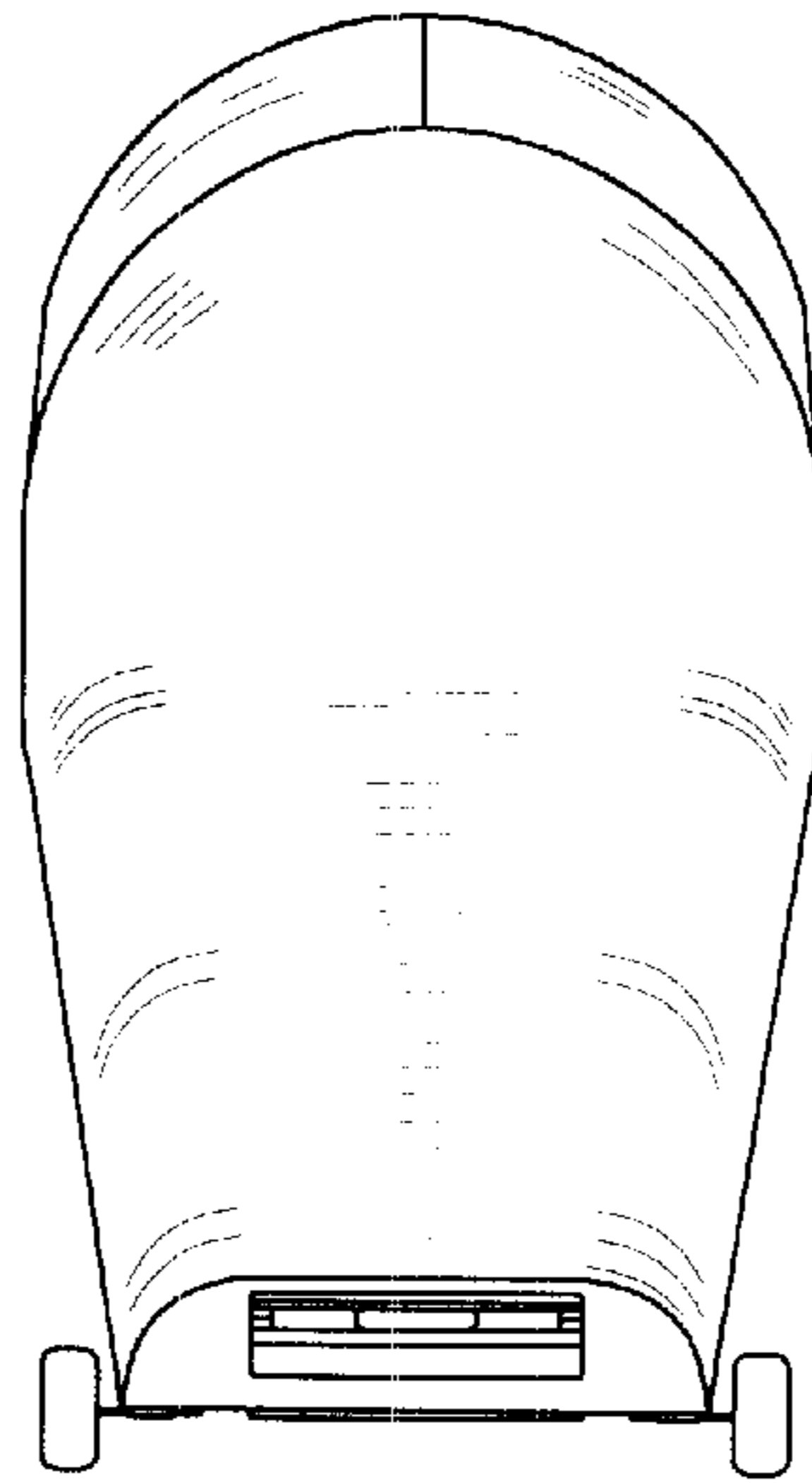


FIG.1

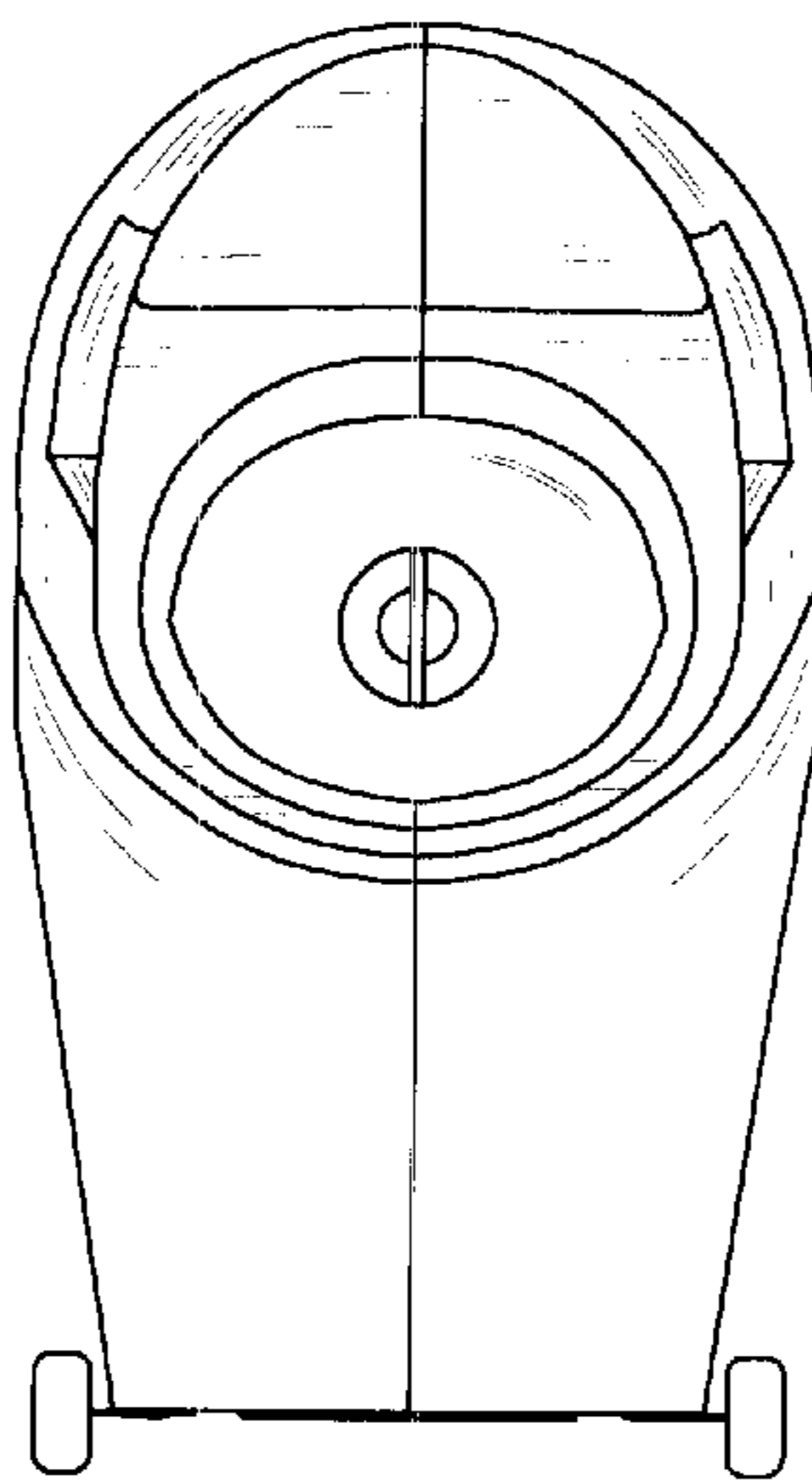


FIG.2

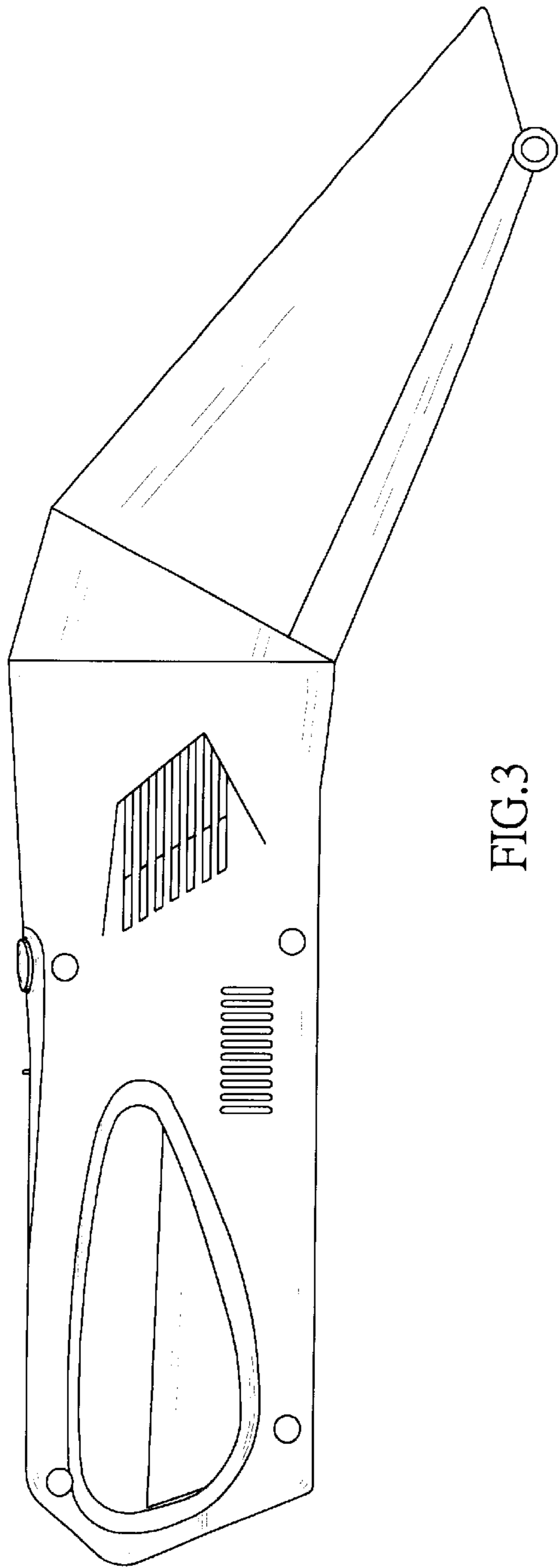


FIG.3

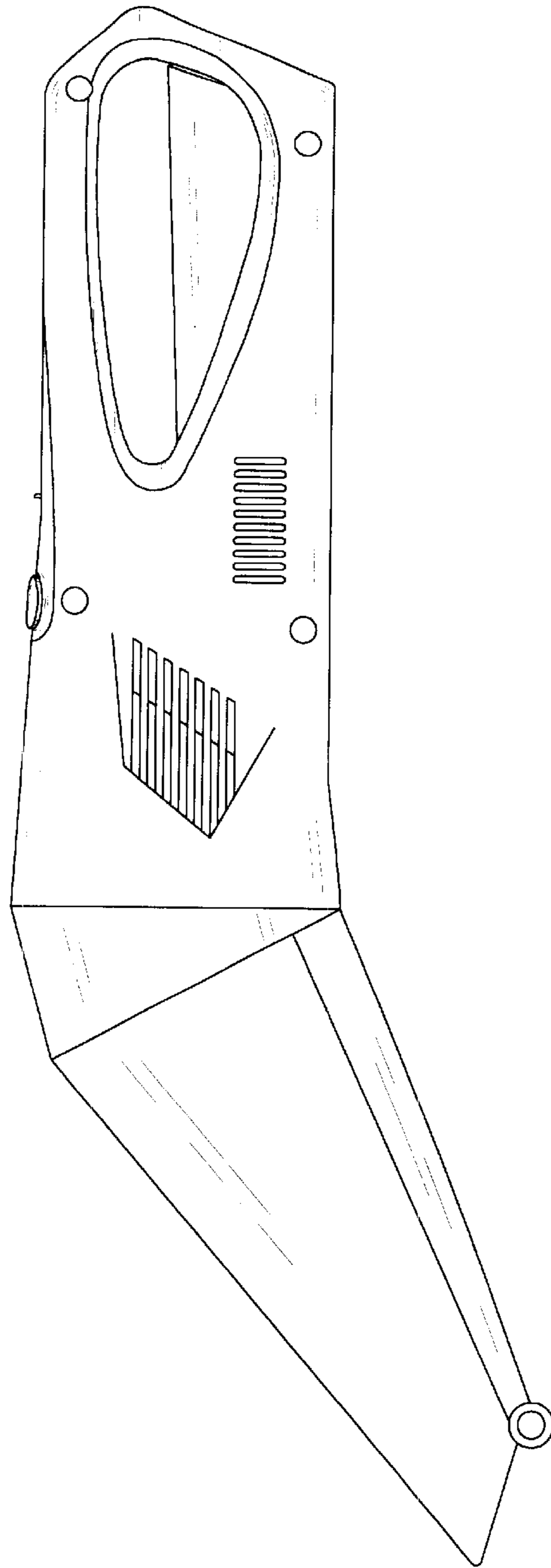


FIG.4

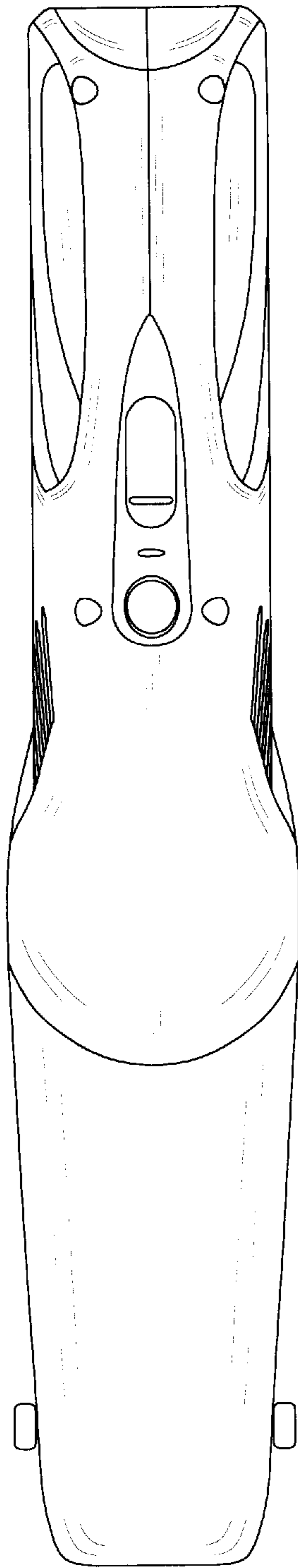


FIG.5

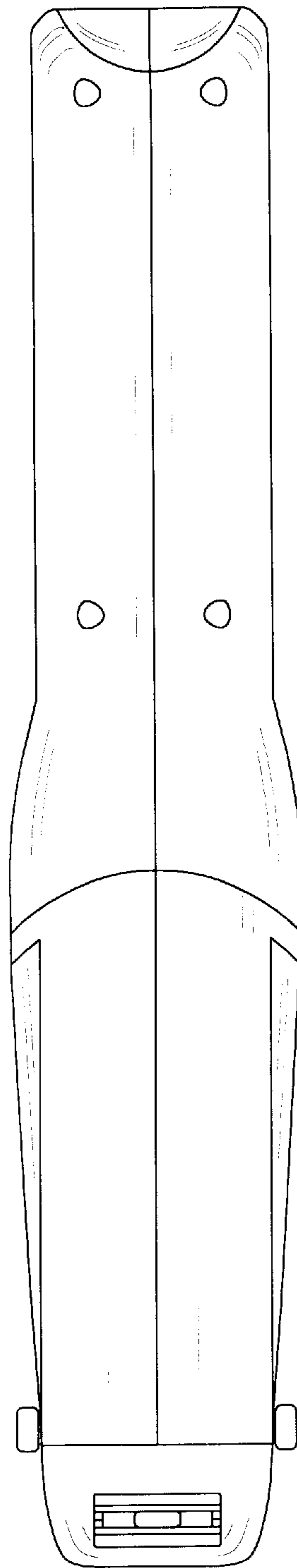


FIG.6

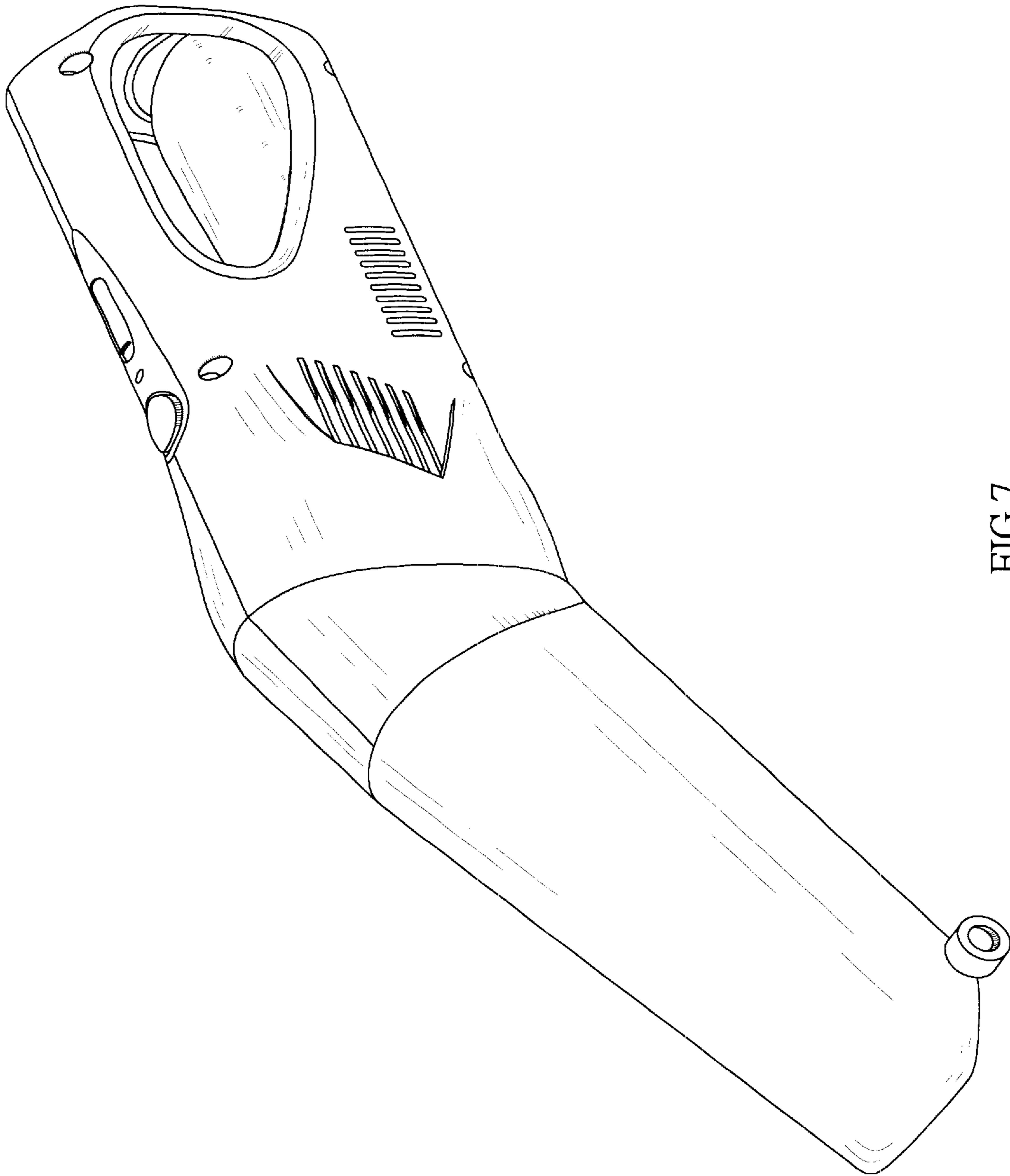


FIG.7