



US00D458423S

(12) **United States Design Patent**  
**Rehkugler et al.**

(10) **Patent No.:** **US D458,423 S**  
(45) **Date of Patent:** **\*\* Jun. 4, 2002**

(54) **HIGH PRESSURE CLEANING DEVICE**

(75) Inventors: **Rolf Rehkugler**, Stuttgart (DE); **Paulo Kolicheski**, Rancho Cucamonga, CA (US)

(73) Assignee: **Alfred Kaercher GmbH & Co.**, Winnenden (DE)

(\*\*) Term: **14 Years**

(21) Appl. No.: **29/127,880**

(22) Filed: **Aug. 11, 2000**

(51) **LOC (7) Cl.** ..... **15-05**

(52) **U.S. Cl.** ..... **D32/16; D32/1**

(58) **Field of Search** ..... D32/1, 4, 15, 16, D32/17, 18, 21, 25; 239/146, 147, 148, 149, 273, 375, 525, 532, 722; 134/103.2; D15/9; 15/320, 340.1, 340.2; 417/360, 364

(56) **References Cited**

**U.S. PATENT DOCUMENTS**

- D204,365 S \* 4/1966 Trombetta ..... D32/1
- 3,675,851 A \* 7/1972 Merfeld et al. .... 239/318
- 3,940,065 A \* 2/1976 Ware et al. .... 239/146
- D239,048 S \* 3/1976 Hewett ..... D32/1
- D273,431 S \* 4/1984 Linton ..... D32/15

- 4,865,255 A \* 9/1989 Luvisotto ..... 239/149
- 5,213,480 A \* 5/1993 Yedinak et al. .... 417/234
- D341,008 S \* 11/1993 Berfeld et al. .... D32/1
- D420,773 S \* 2/2000 Ertl et al. .... D32/16
- 6,070,808 A \* 6/2000 Kildow ..... 239/146
- 6,279,838 B1 \* 8/2001 Sivells et al. .... 239/146

**OTHER PUBLICATIONS**

Alfred Kärcher GmbH & Co., brochure entitled "Reinigen mit System—für Haus, Gewerbe und Industrie", Programm 1997, p. 16 HD 2000 Super. (3 pages).

\* cited by examiner

*Primary Examiner*—Martie K. Holtje

(74) *Attorney, Agent, or Firm*—Barry R. Lipsitz

(57) **CLAIM**

The ornamental design for a high pressure cleaning device, as shown and described.

**DESCRIPTION**

FIG. 1 is a front, top and left side perspective view showing our new design;

FIG. 2 is a top plan view of the design;

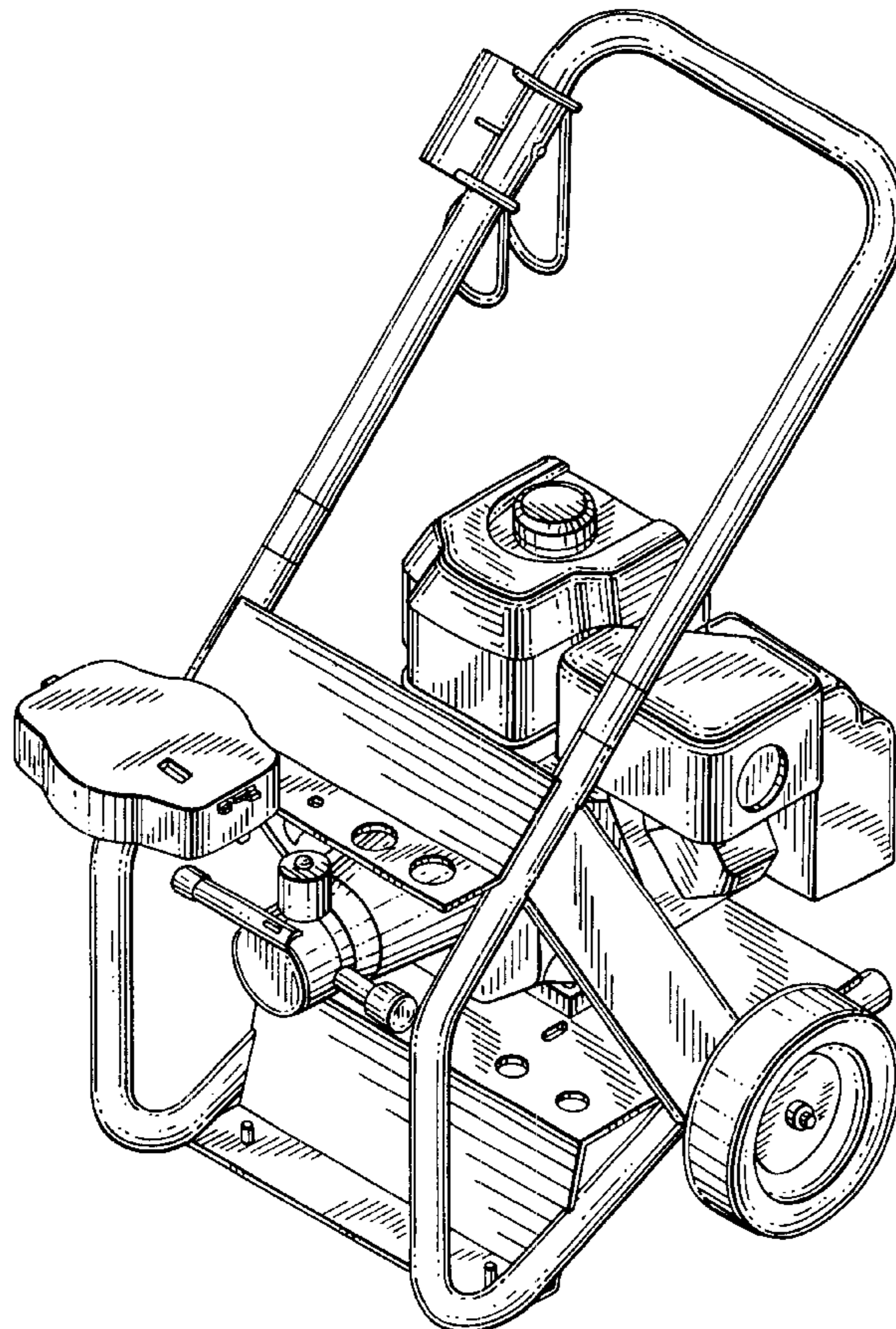
FIG. 3 is a front elevational view of the design;

FIG. 4 is a right side elevational view of the design;

FIG. 5 is a left side elevational view of the design; and,

FIG. 6 is a rear elevational view of the design.

**1 Claim, 6 Drawing Sheets**



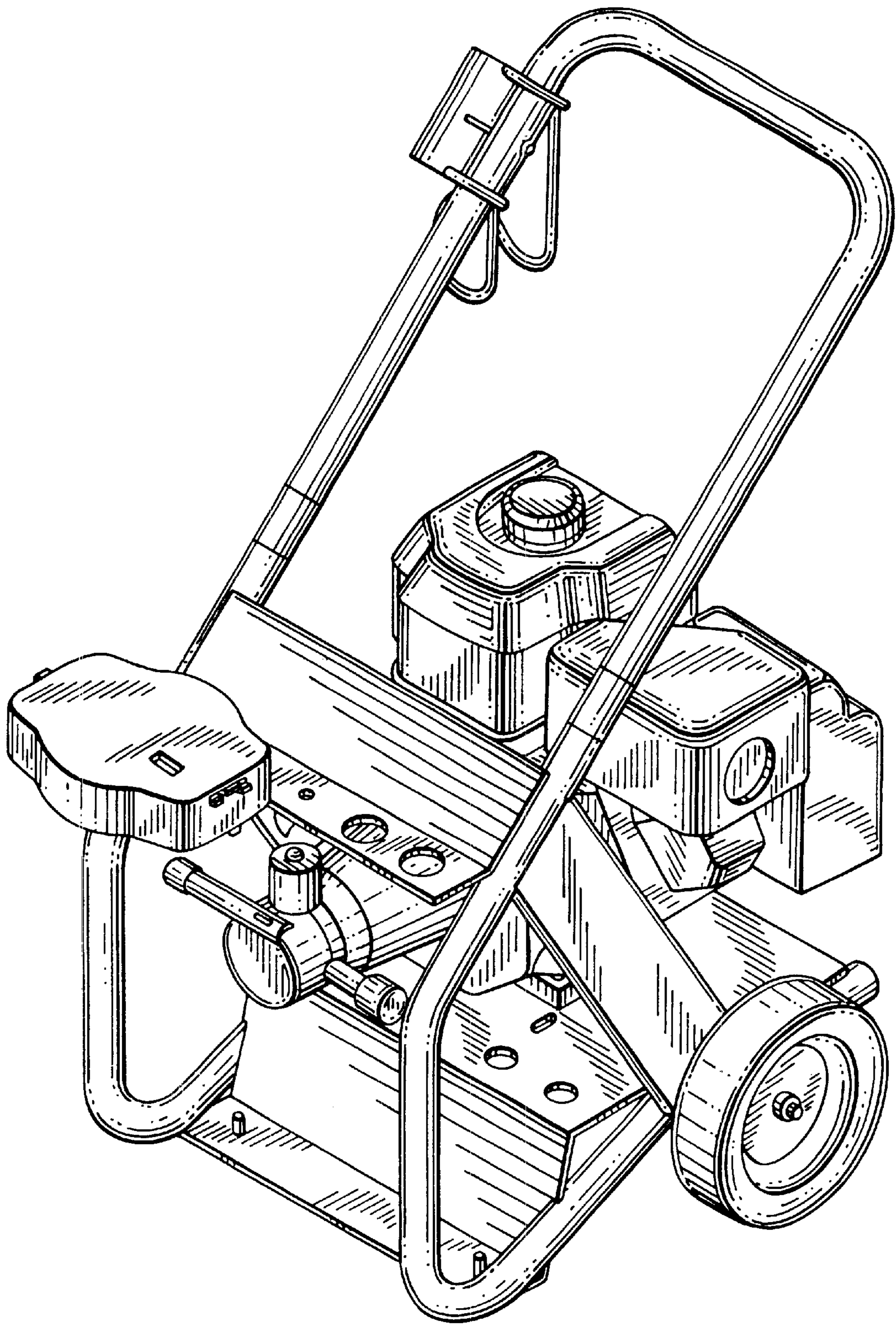


FIG. 1



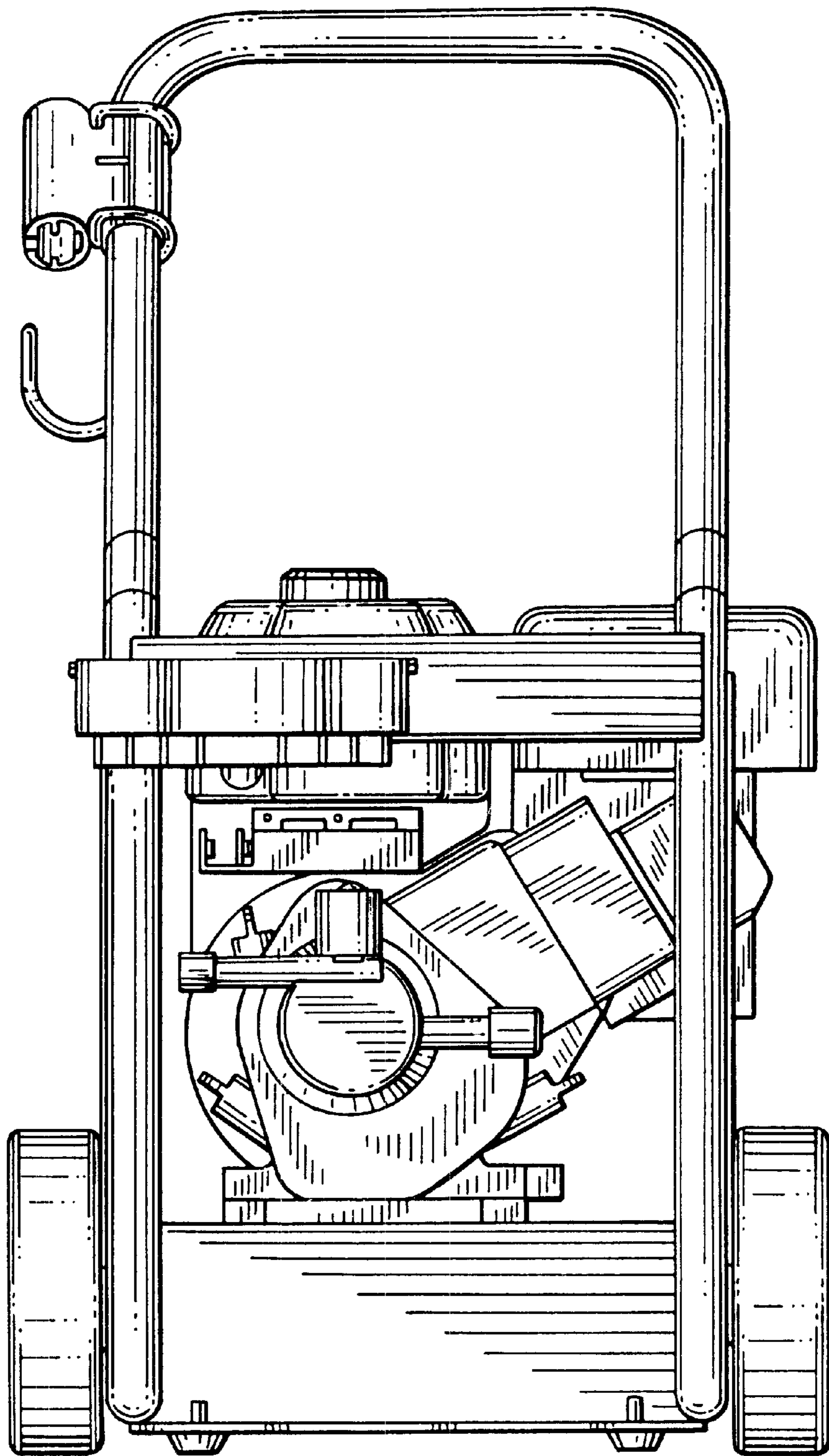
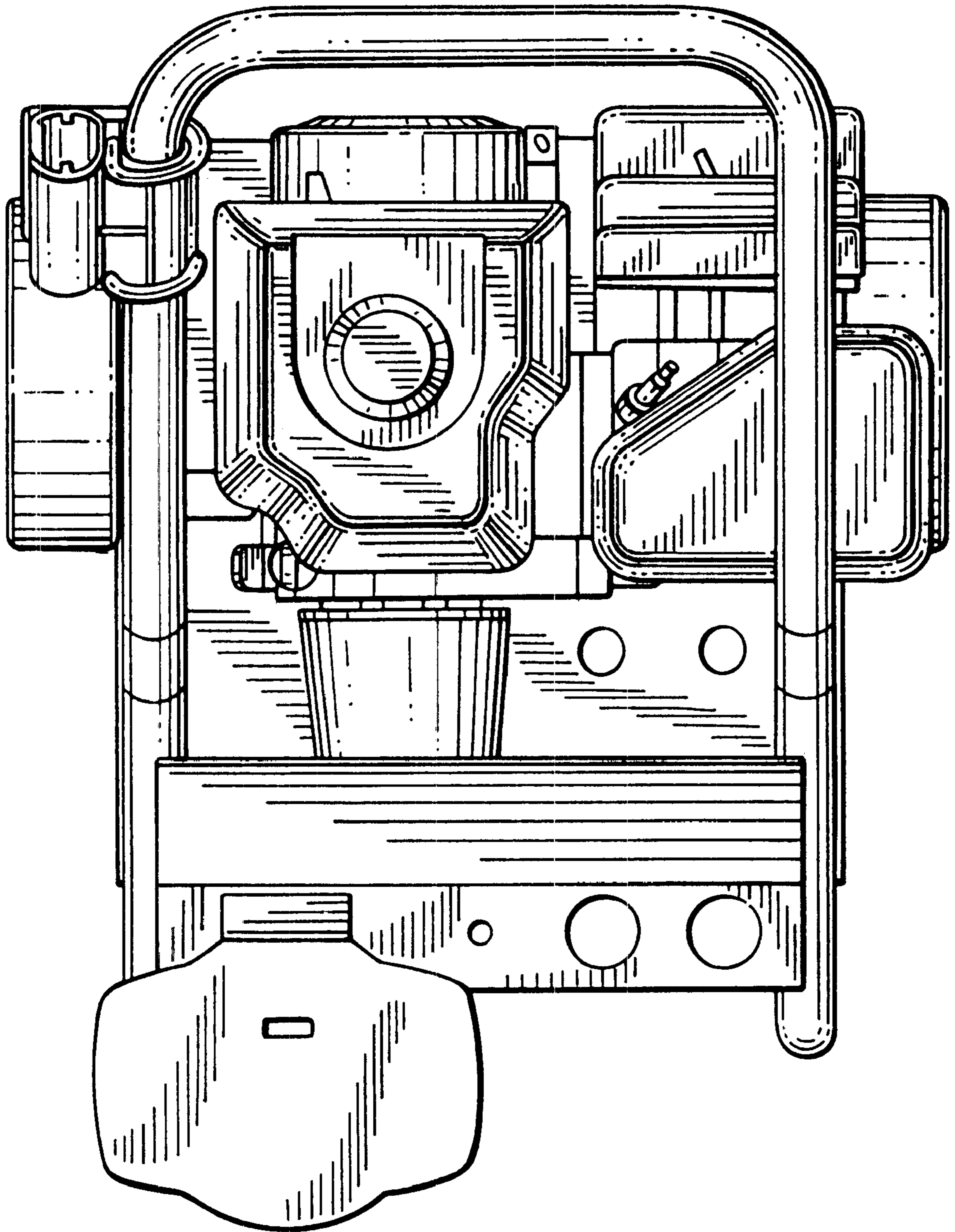


FIG. 2

FIG. 3



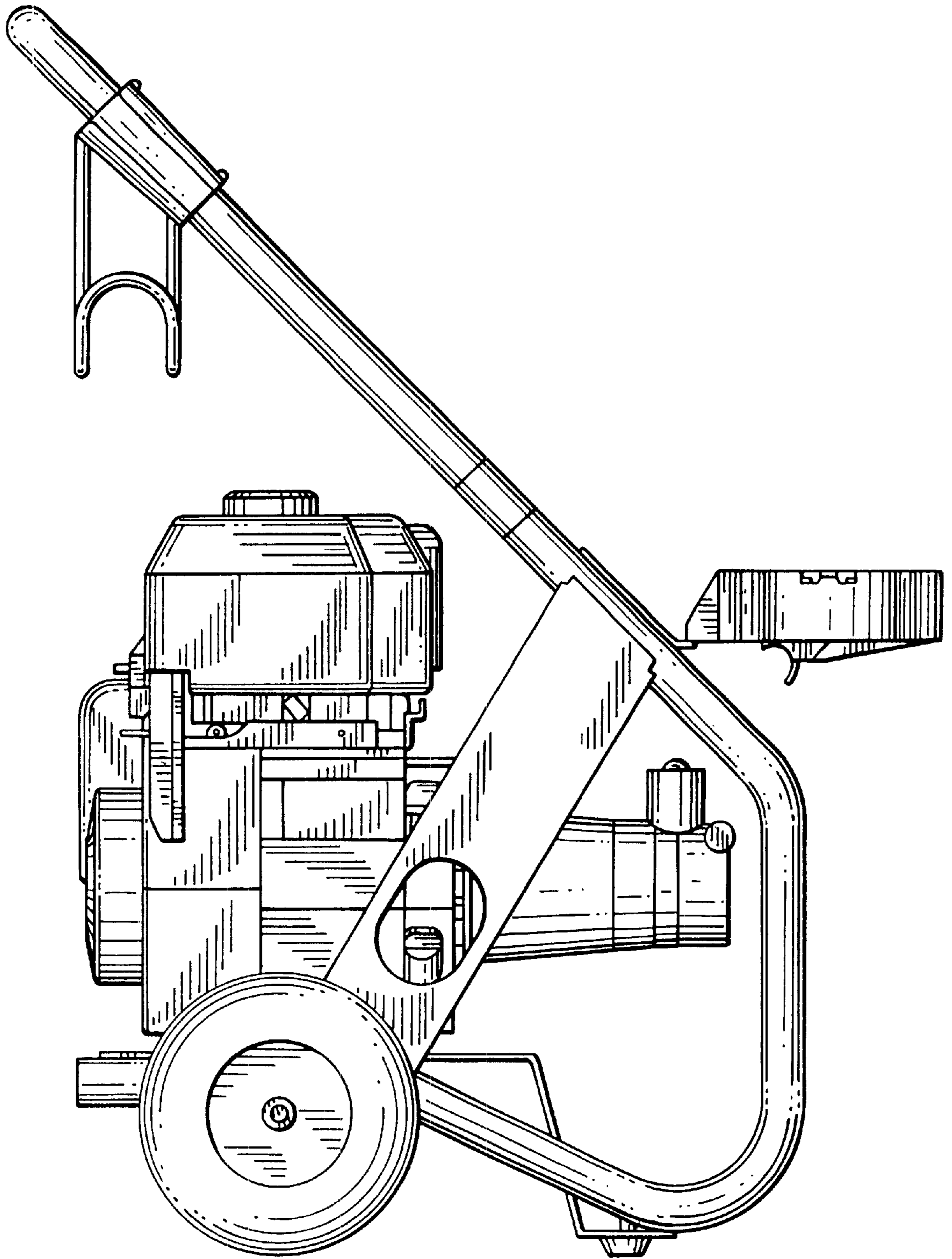


FIG. 4

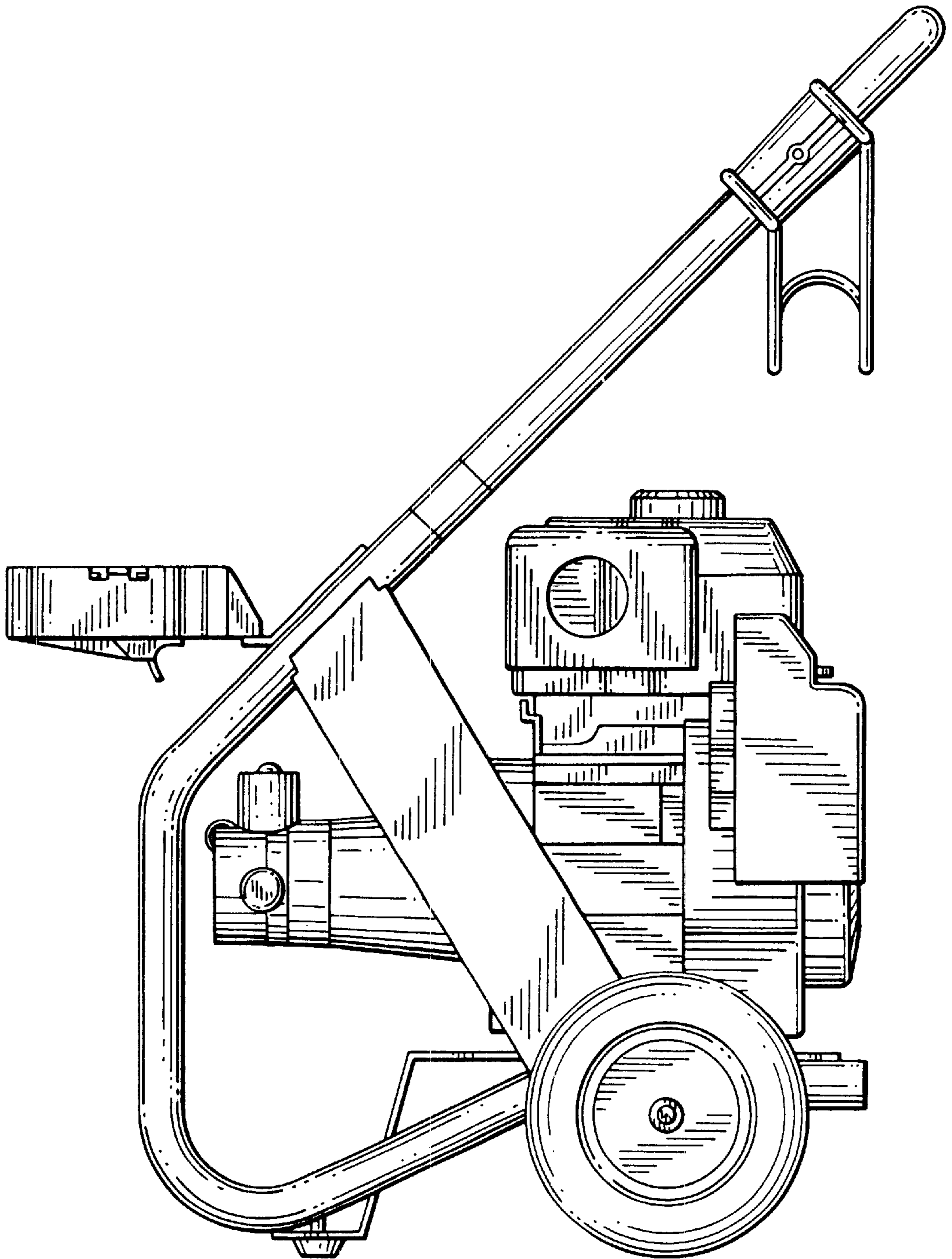


FIG. 5



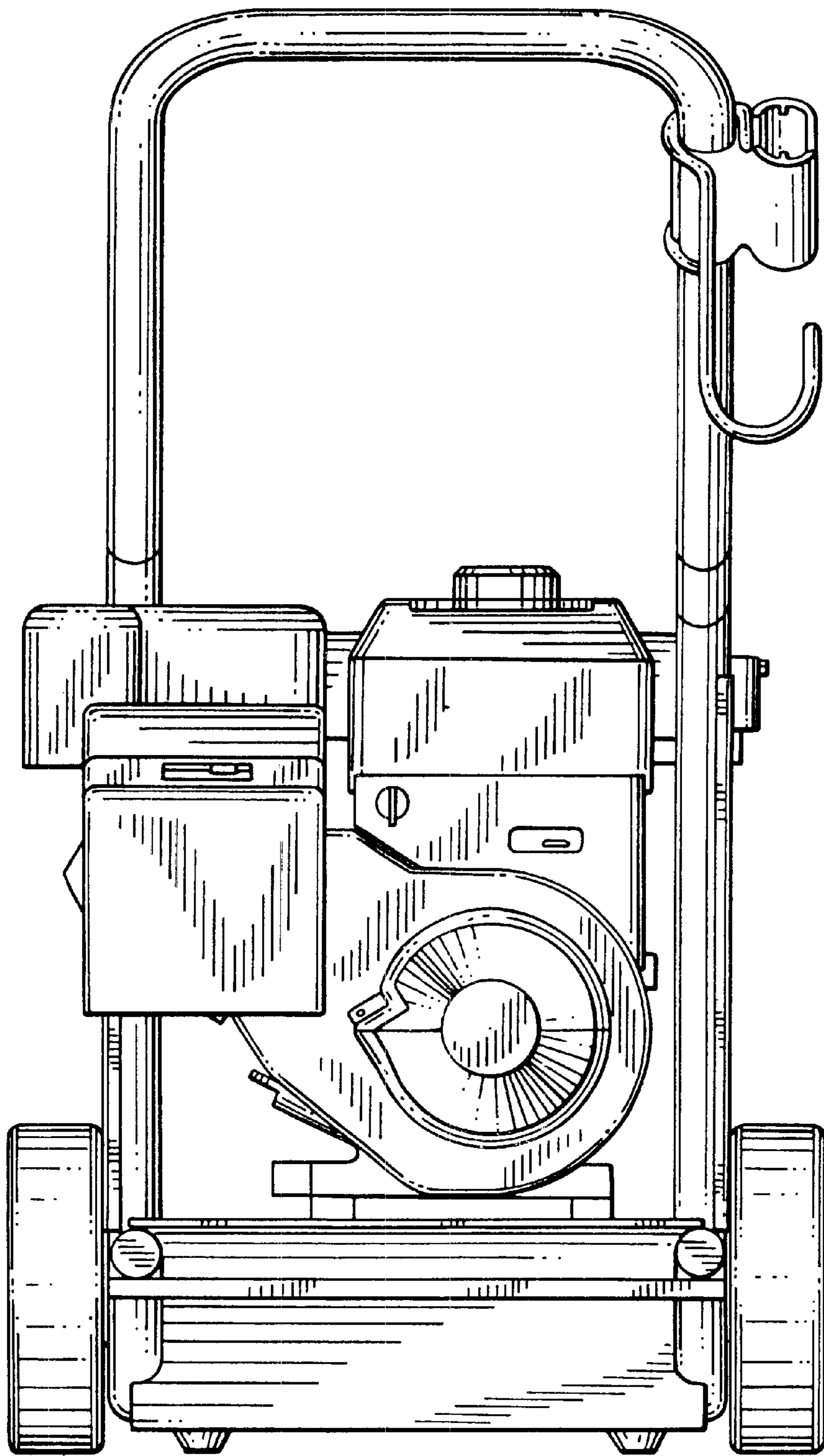


FIG. 6

UNITED STATES PATENT AND TRADEMARK OFFICE  
**CERTIFICATE OF CORRECTION**

PATENT NO. : Des. 458,423 S  
DATED : June 4, 2002  
INVENTOR(S) : Rolf Rehkugler et al.

Page 1 of 8

It is certified that error appears in the above-identified patent and that said Letters Patent is hereby corrected as shown below:

Title page,

The title page should be deleted and insert the attached title page.

Drawings,

Replace Drawing Sheets 1-6 with the attached Drawing Sheets 1-6.

Signed and Sealed this

Tenth Day of September, 2002

*Attest:*

A handwritten signature in black ink, appearing to read "James E. Rogan", with a horizontal line drawn underneath it.

*Attesting Officer*

JAMES E. ROGAN  
*Director of the United States Patent and Trademark Office*



(12) **United States Design Patent** (10) **Patent No.:** **US D458,423 S**  
**Rehkugler et al.** (45) **Date of Patent:** **\*\* Jun. 4, 2002**

(54) **HIGH PRESSURE CLEANING DEVICE**  
 (75) Inventors: **Rolf Rehkugler**, Stuttgart (DE); **Paulo Kolicheski**, Rancho Cucamonga, CA (US)

4,865,255 A \* 9/1989 Luisotto ..... 239/149  
 5,213,480 A \* 5/1993 Yedinak et al. .... 417/234  
 D341,008 S \* 11/1993 Berfield et al. .... D32/1  
 D420,773 S \* 2/2000 Ertl et al. .... D32/16  
 6,070,808 A \* 6/2000 Kildow ..... 239/146  
 6,279,838 B1 \* 8/2001 Sivells et al. .... 239/146

(73) Assignee: **Alfred Kaercher GmbH & Co.**, Winnenden (DE)

**OTHER PUBLICATIONS**

Alfred Kärcher GmbH & Co., brochure entitled "Reinigen mit System—für Haus, Gewerbe und Industrie", Programm 1997, p. 16 HD 2000 Super. (3 pages).

(\*\*) Term: **14 Years**

\* cited by examiner

(21) Appl. No.: **29/127,880**

*Primary Examiner*—Martie K. Holtje

(22) Filed: **Aug. 11, 2000**

(74) *Attorney, Agent, or Firm*—Barry R. Lipsitz

(51) **LOC (7) Cl.** ..... **15-05**

(52) **U.S. Cl.** ..... **D32/16; D32/1**

(58) **Field of Search** ..... **D32/1, 4, 15, 16, D32/17, 18, 21, 25; 239/146, 147, 148, 149, 273, 375, 525, 532, 722; 134/103.2; D15/9; 15/320, 340.1, 340.2; 417/360, 364**

(57) **CLAIM**

The ornamental design for a high pressure cleaning device, as shown and described.

**DESCRIPTION**

FIG. 1 is a front, top and left side perspective view showing our new design;  
 FIG. 2 is a top plan view of the design;  
 FIG. 3 is a front elevational view of the design;  
 FIG. 4 is a right side elevational view of the design;  
 FIG. 5 is a left side elevational view of the design; and  
 FIG. 6 is a rear elevational view of the design.

(56) **References Cited**

**U.S. PATENT DOCUMENTS**

D204,365 S \* 4/1966 Trombetta ..... D32/1  
 3,675,851 A \* 7/1972 Merfeld et al. .... 239/318  
 3,940,065 A \* 2/1976 Ware et al. .... 239/146  
 D239,048 S \* 3/1976 Hewitt ..... D32/1  
 D273,431 S \* 4/1984 Linton ..... D32/15

**1 Claim, 6 Drawing Sheets**

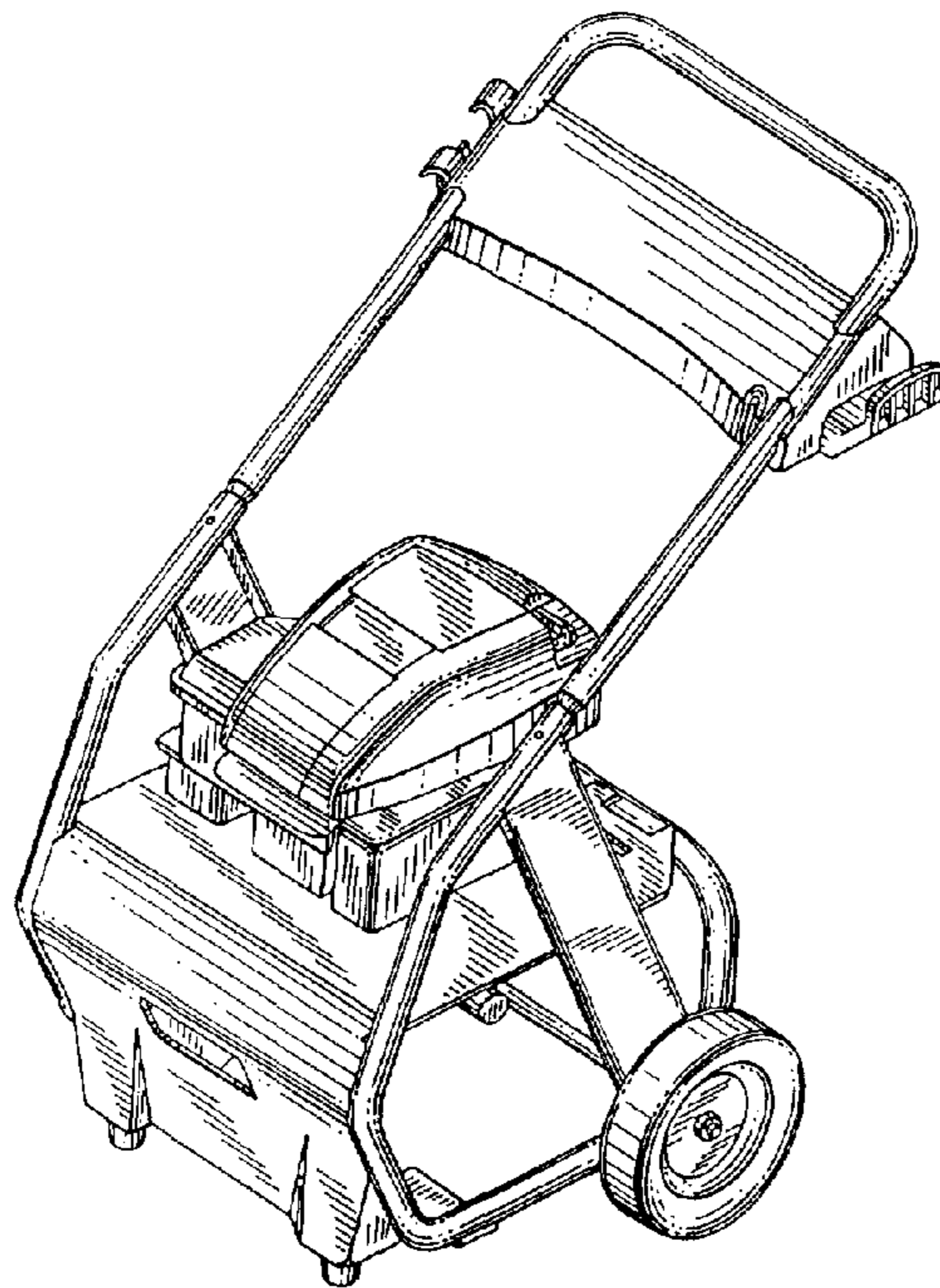
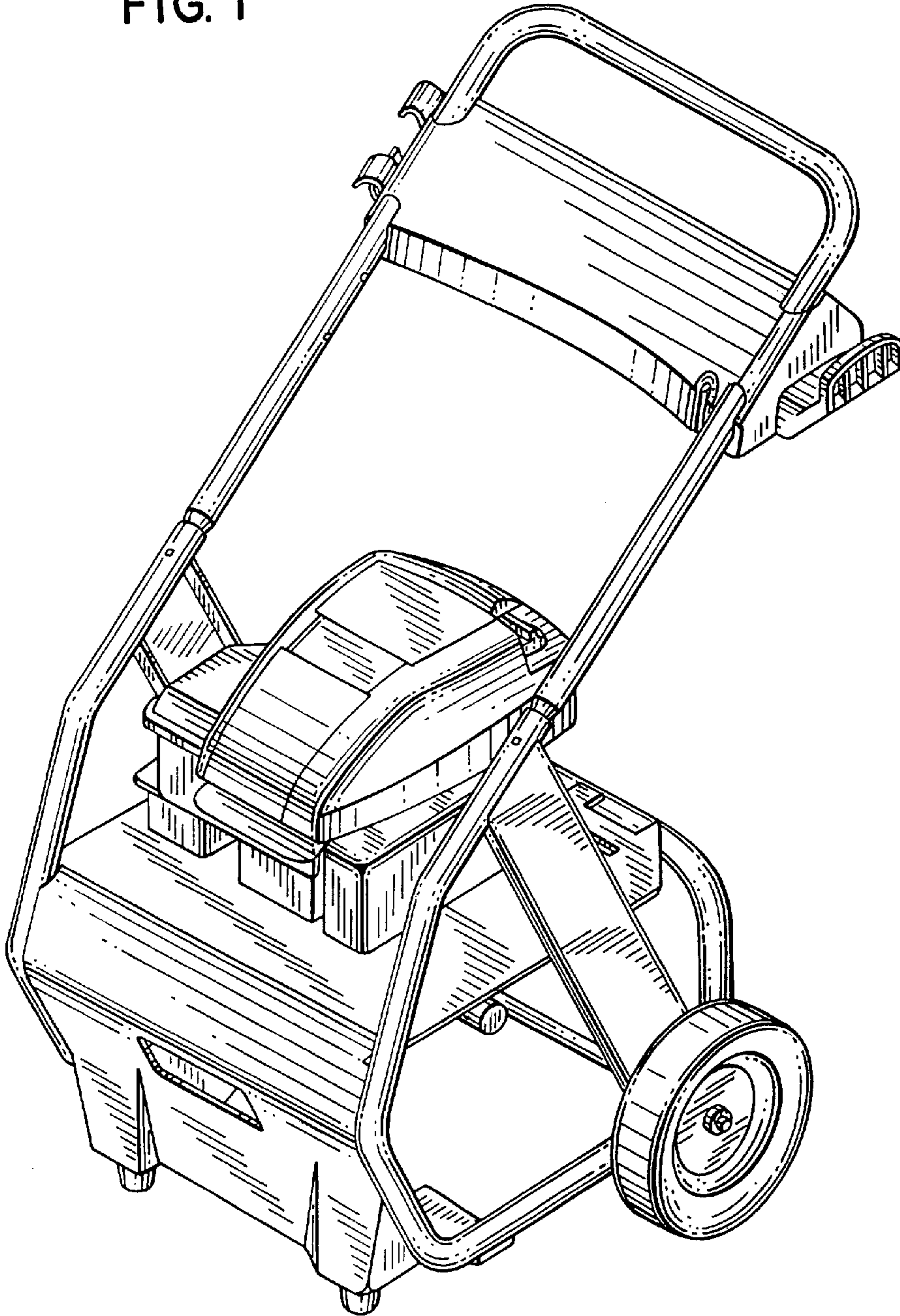


FIG. 1



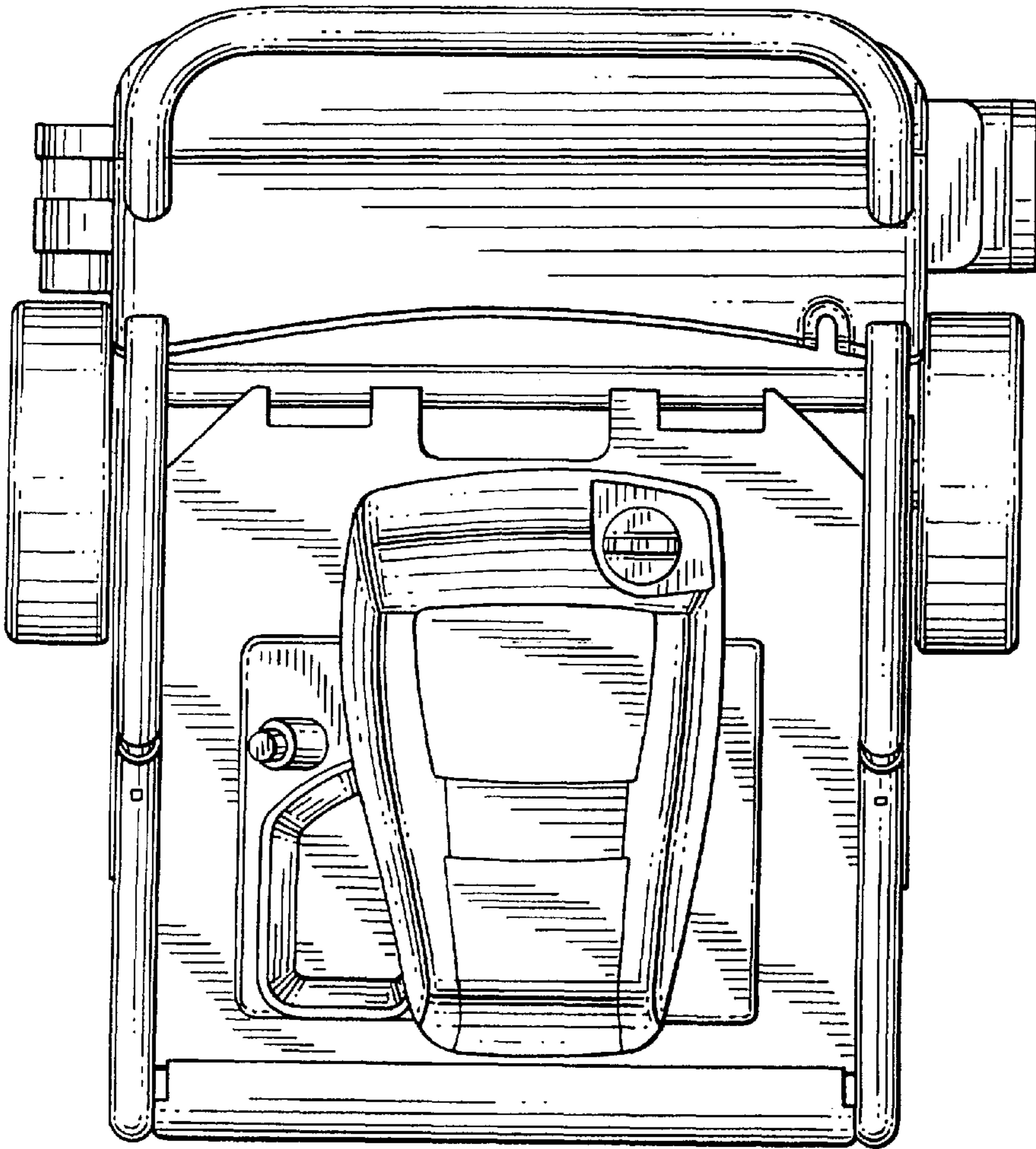


FIG. 2



FIG. 3

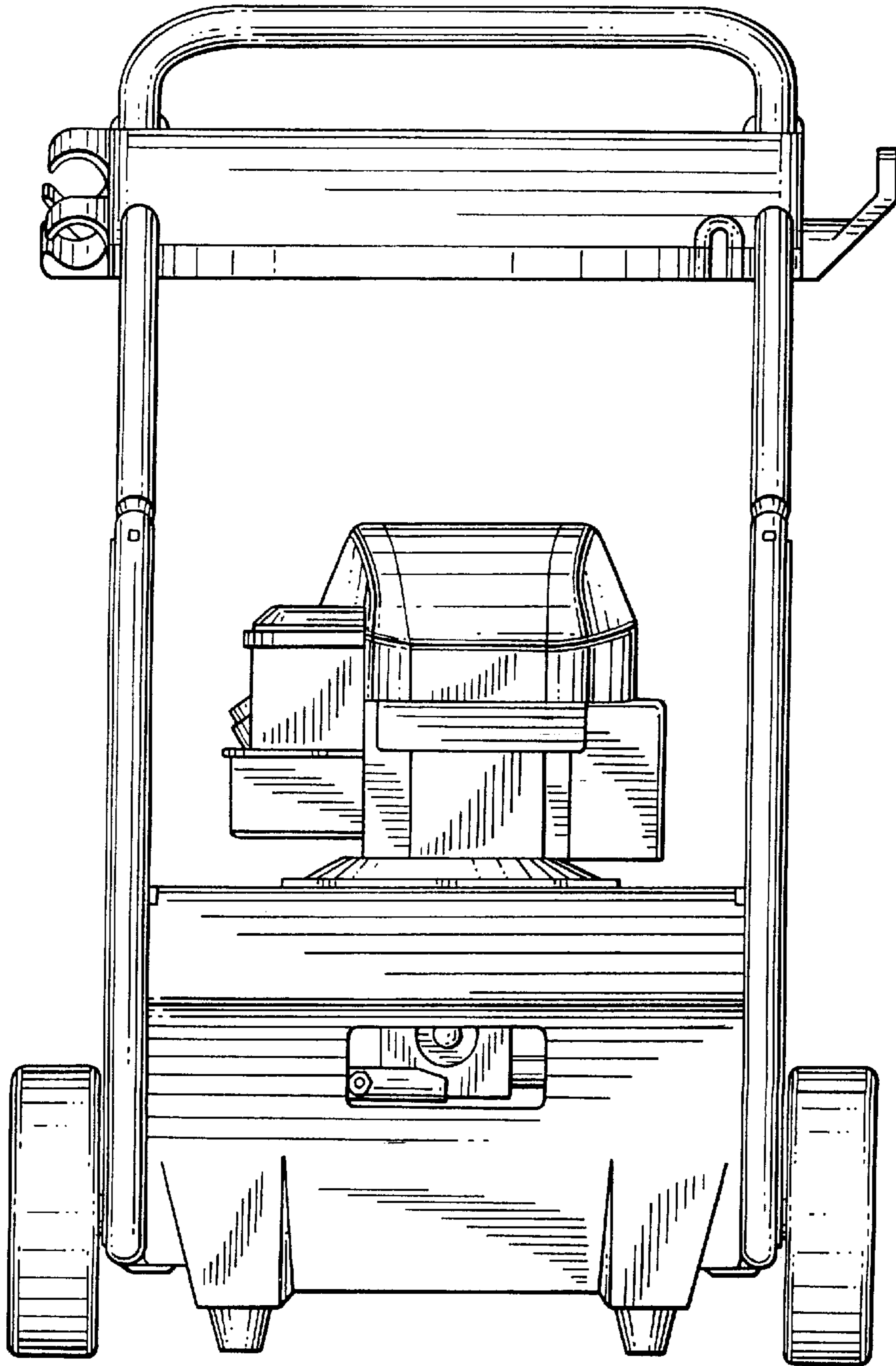


FIG. 4

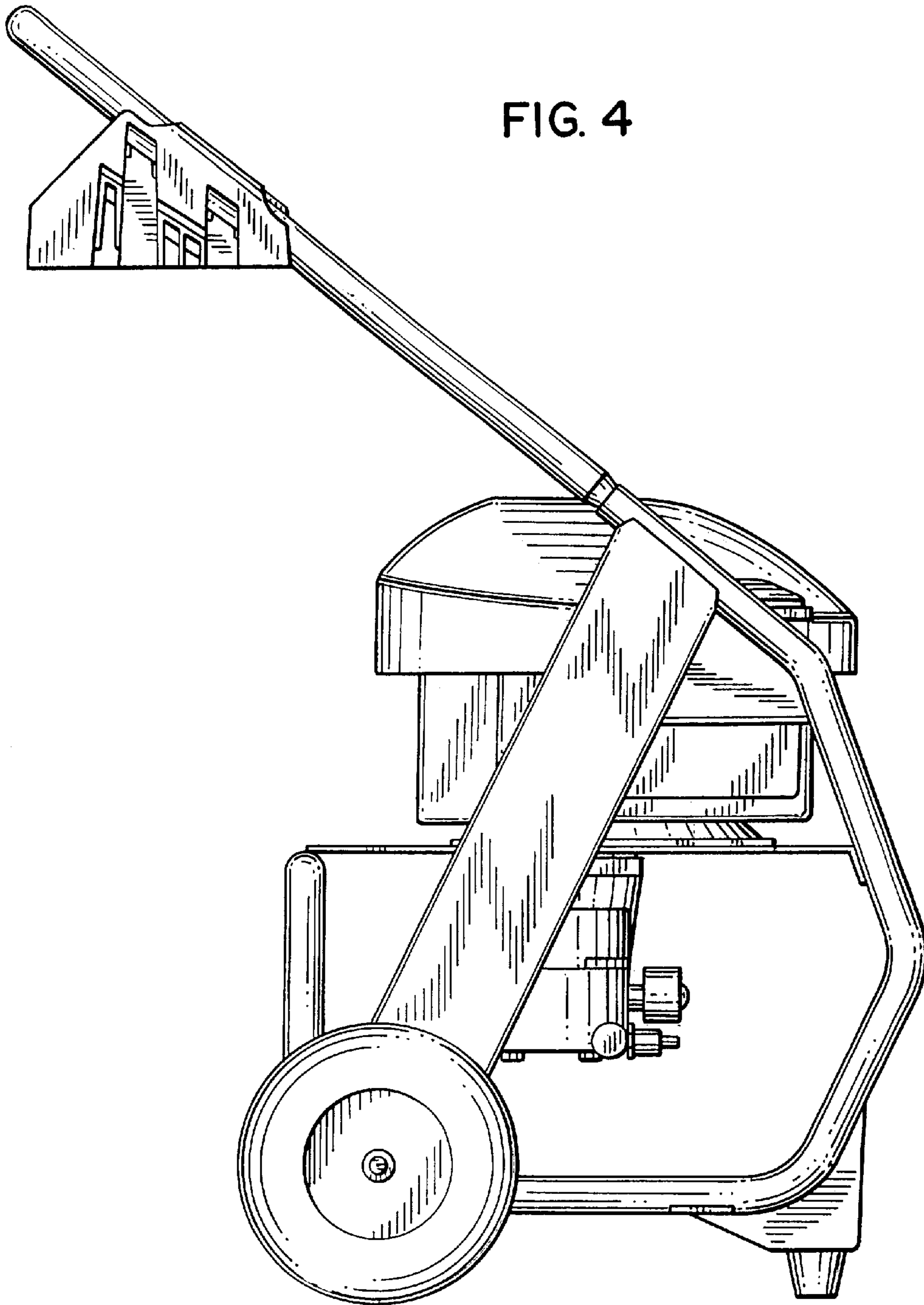


FIG. 5

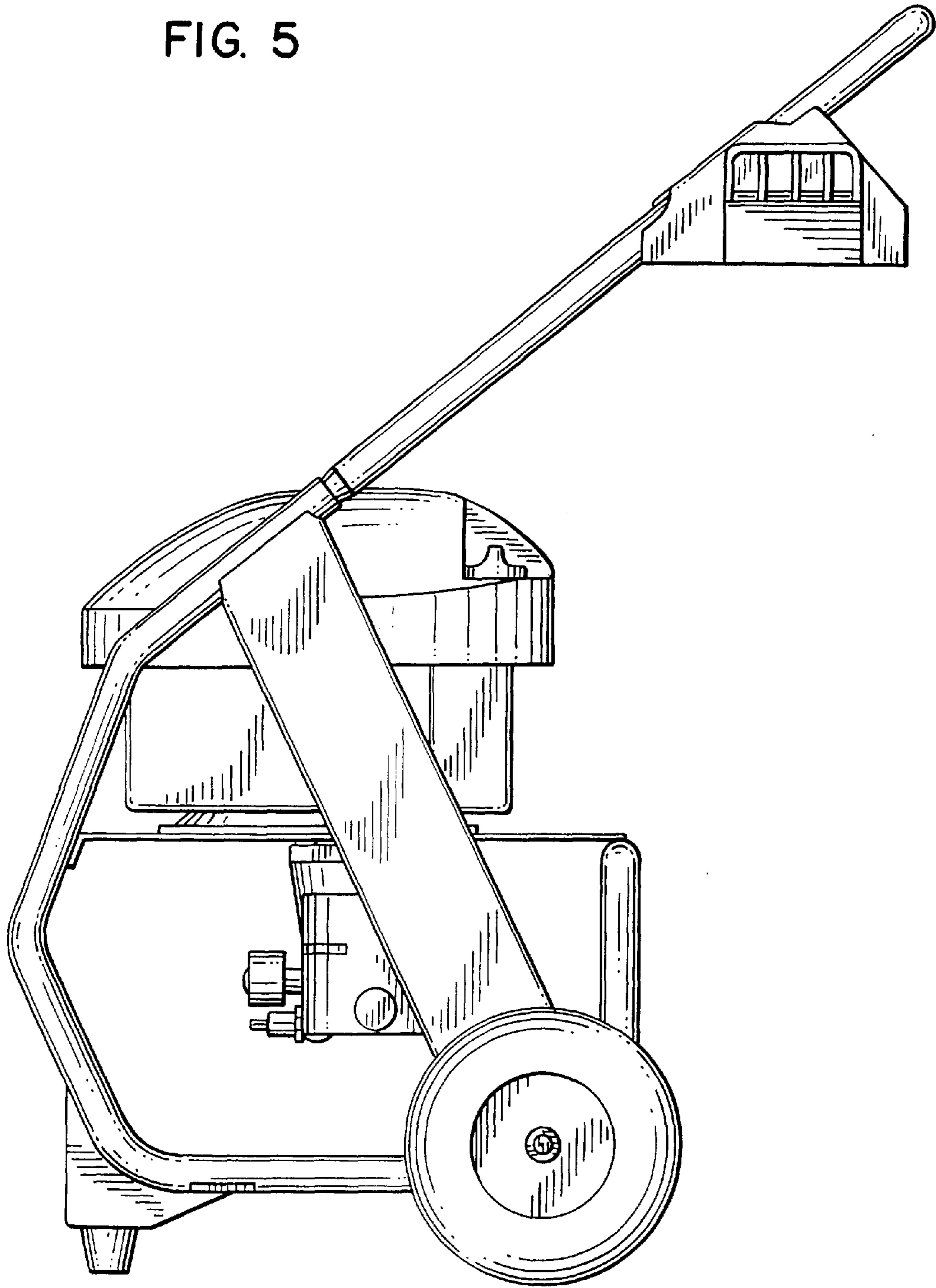




FIG. 6

