



US00D458418S

(12) **United States Design Patent**
Krause et al.

(10) **Patent No.:** **US D458,418 S**

(45) **Date of Patent:** **** Jun. 4, 2002**

(54) **TOP OF A CAGE FOR SMALL PETS**

(75) **Inventors:** **Robert C. Krause; Yuzo Migita;**
Kazutoshi Tominaga, all of Elk Grove
Village, IL (US)

(73) **Assignee:** **Pets International, Ltd.**, Arlington
Heights, IL (US)

(**) **Term:** **14 Years**

(21) **Appl. No.:** **29/145,595**

(22) **Filed:** **Jul. 25, 2001**

(51) **LOC (7) Cl.** **30-02**

(52) **U.S. Cl.** **D30/119**

(58) **Field of Search** D30/101-106,
D30/108-119; 119/416, 418-420, 428-435,
452-456, 458-472, 474-475, 477, 479,
482, 484-485, 489-491, 496-498, 500,
502, 512-513, 531

(56) **References Cited**

U.S. PATENT DOCUMENTS

- D192,202 S * 2/1962 Willinger D30/107
- 3,212,474 A * 10/1965 Higgins et al. 119/475
- D209,837 S * 1/1968 Artig D30/117
- D240,238 S * 6/1976 Perkins et al. D30/117

- 4,201,153 A * 5/1980 Nace 119/224
- D317,369 S * 6/1991 Tominaga D30/107
- 5,092,269 A * 3/1992 Phillips et al. 119/452
- D343,481 S * 1/1994 Hampel D30/108
- 6,044,799 A * 4/2000 Tominaga 119/472

* cited by examiner

Primary Examiner—Cathy Anne MacCormac

(74) *Attorney, Agent, or Firm*—Douglas B. White

(57) **CLAIM**

The ornamental design for top of a cage for small pets, as shown and described.

DESCRIPTION

The characteristic feature of the design resides in the accessible compartment formed within the cage top.

FIG. 1 is a perspective view of a top of a cage for small pets;

FIG. 2 is a top view thereof;

FIG. 3 is a left side view thereof;

FIG. 4 is a right side view thereof;

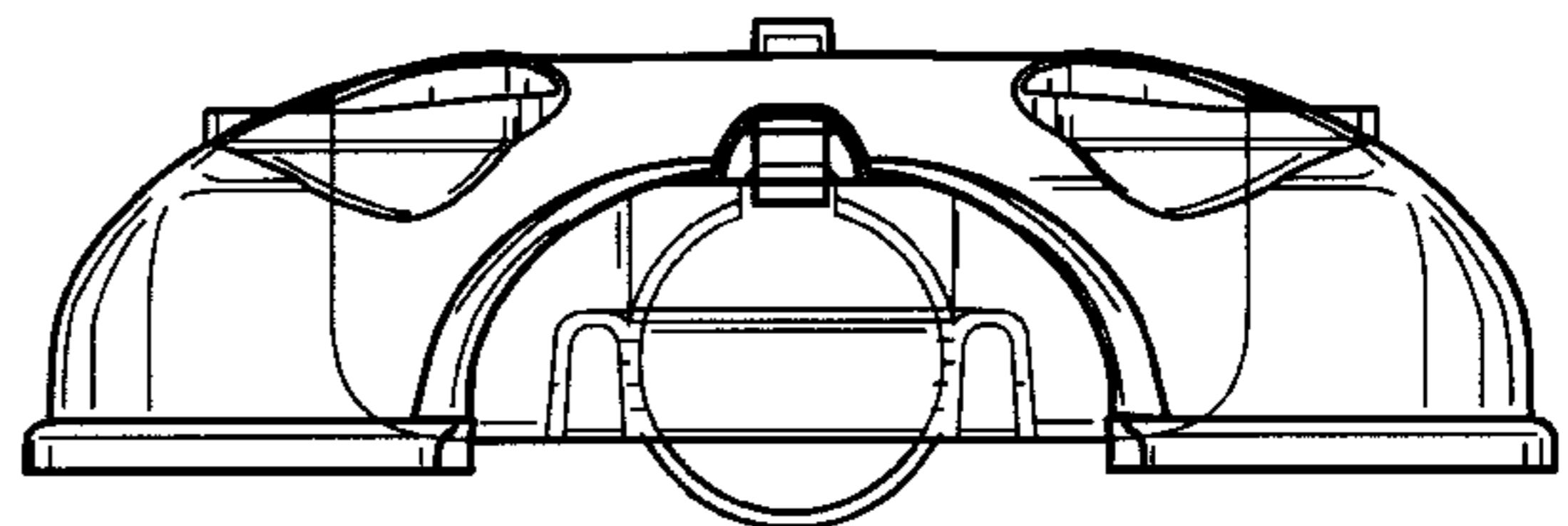
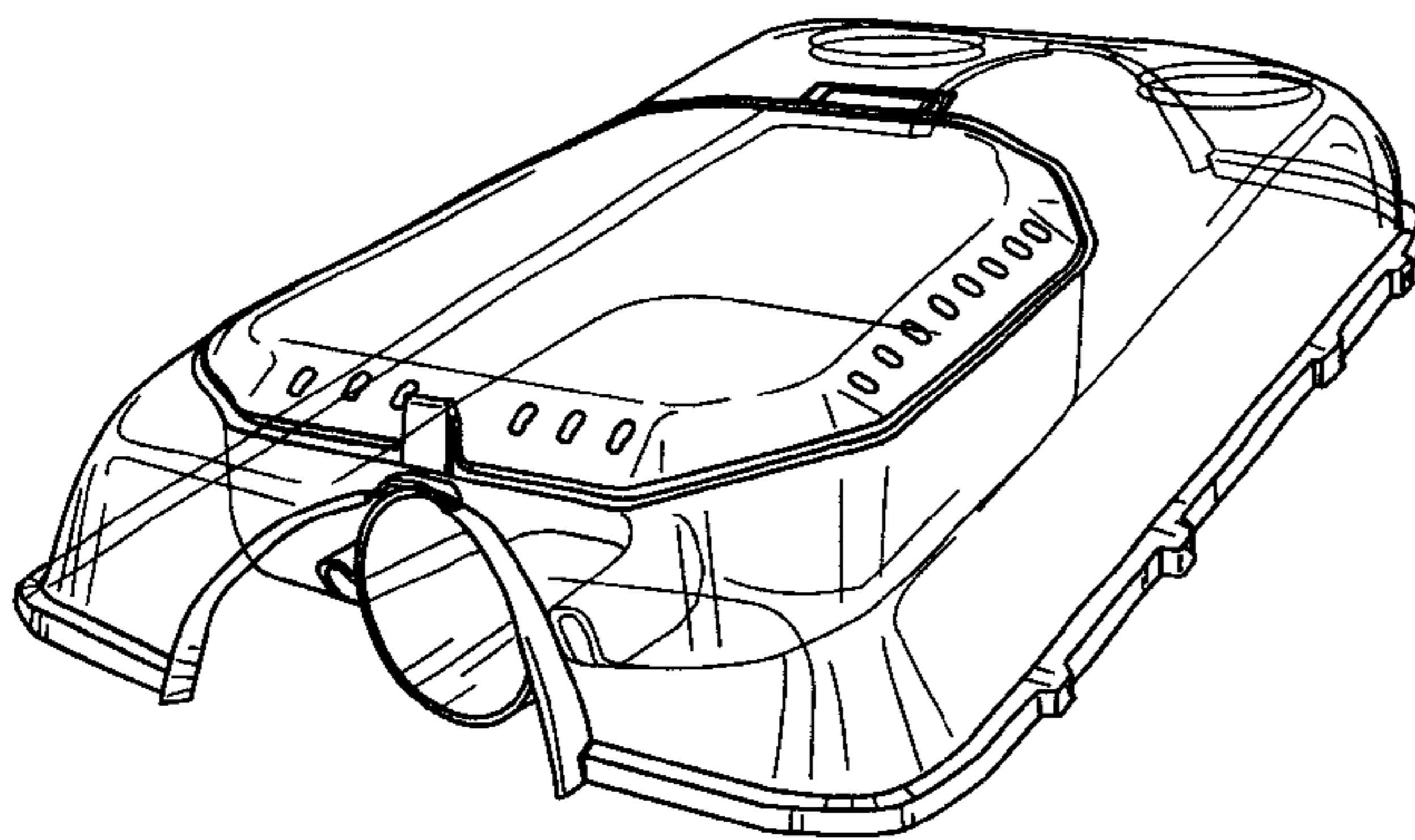
FIG. 5 is a front view thereof;

FIG. 6 is another perspective view thereof showing the access door in opened position;

FIG. 7 is another left side view thereof in opened position; and,

FIG. 8 is a rear view thereof in opened position.

1 Claim, 4 Drawing Sheets



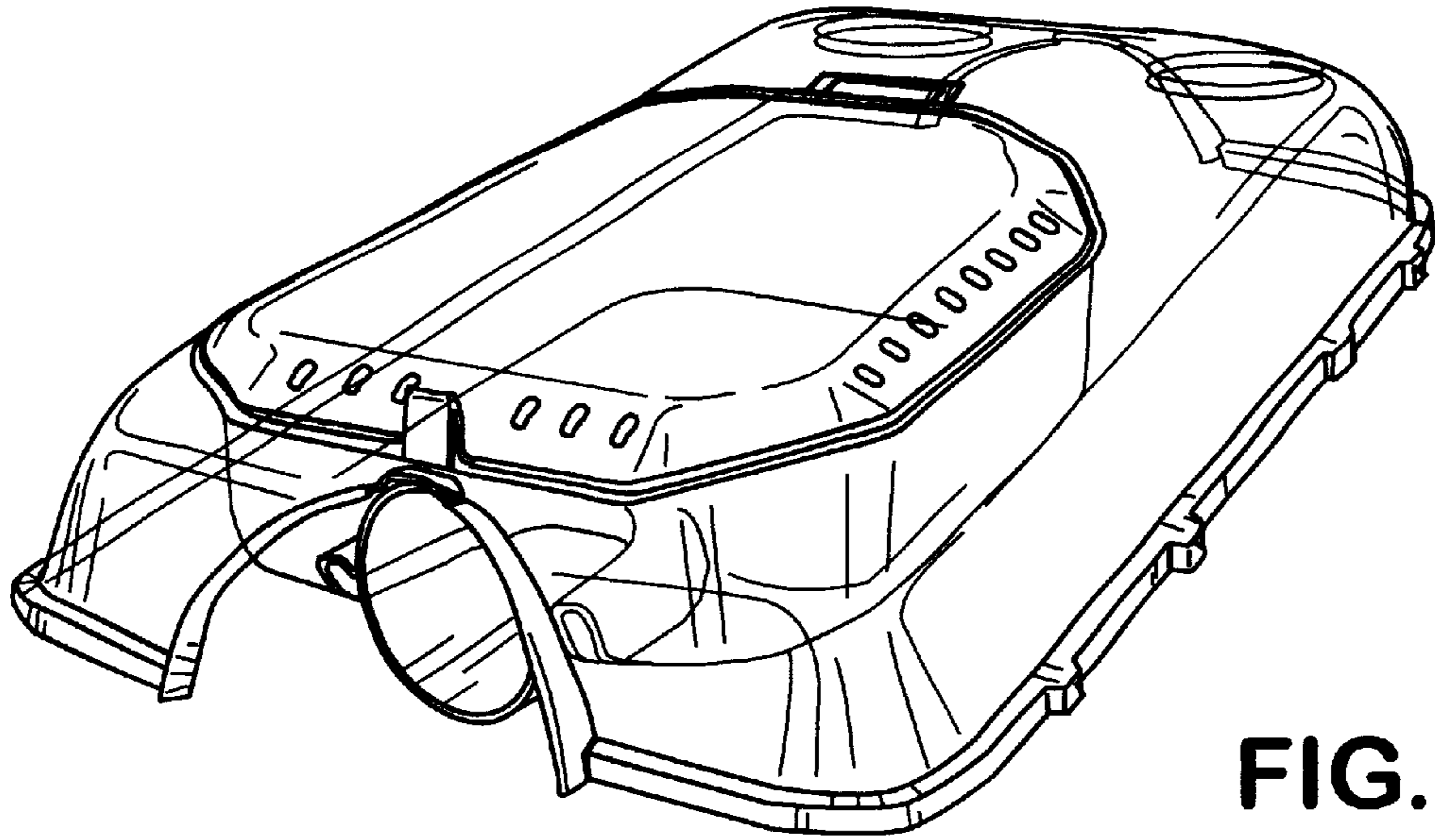


FIG. 1

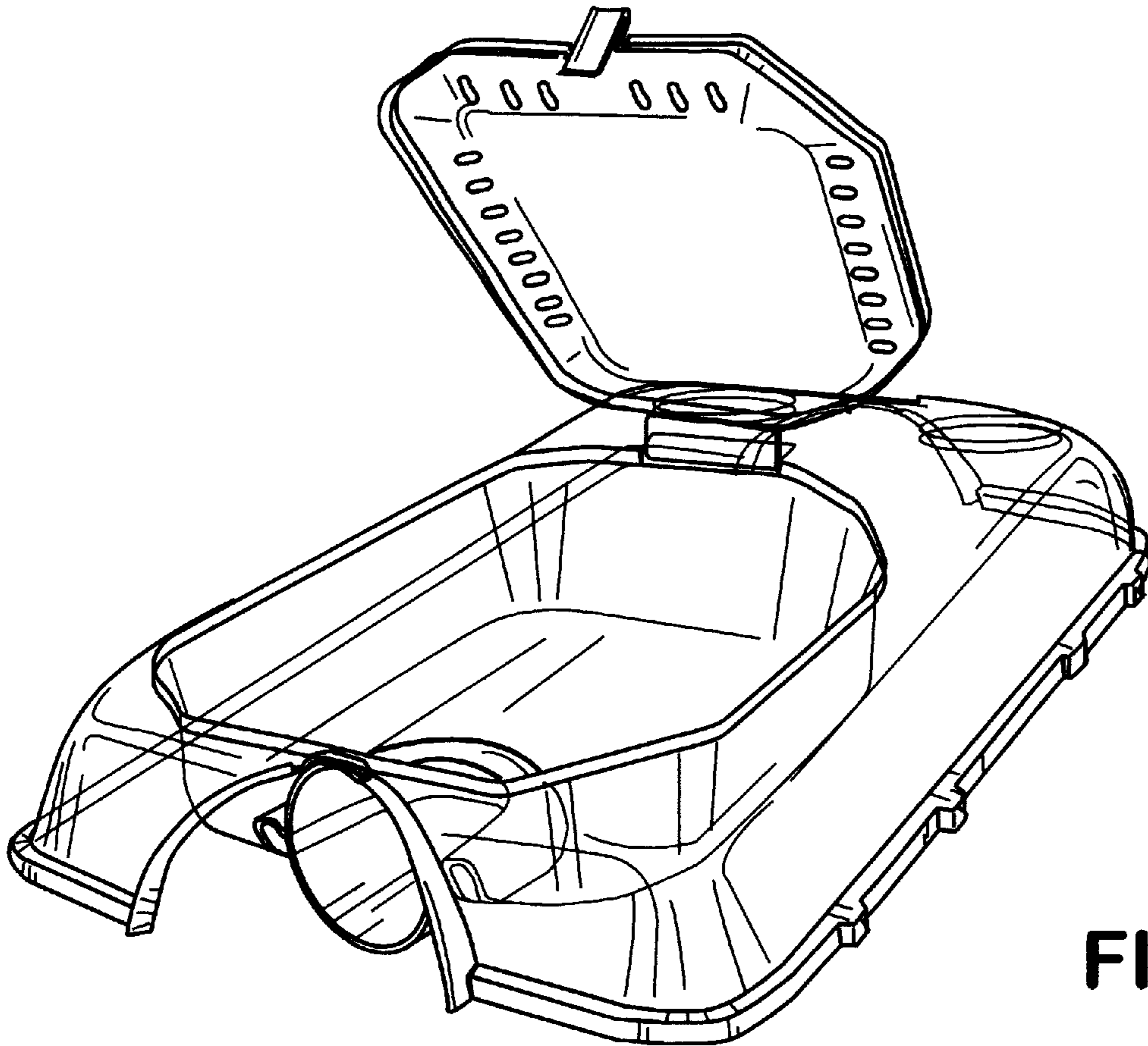


FIG. 2

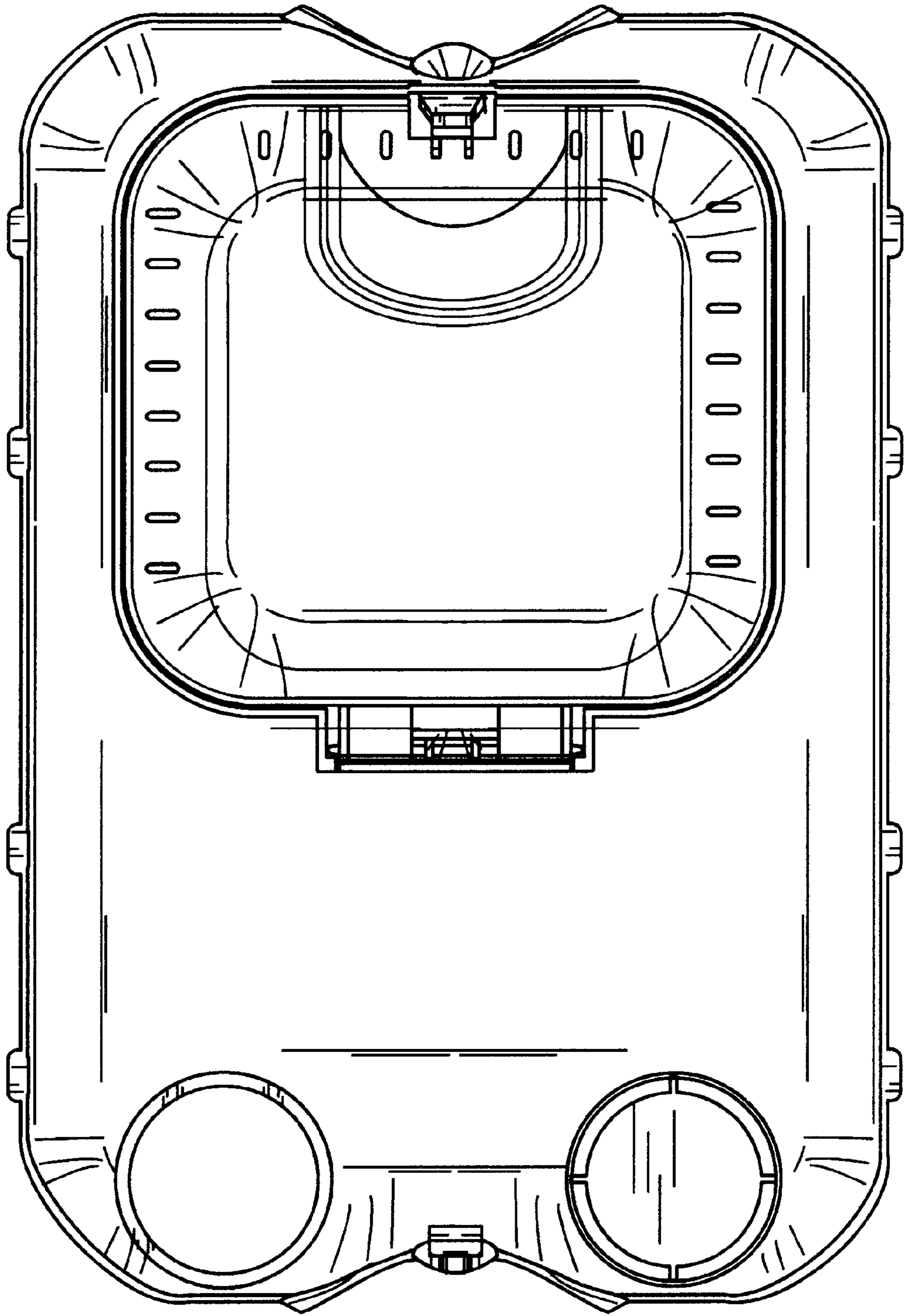


FIG. 3

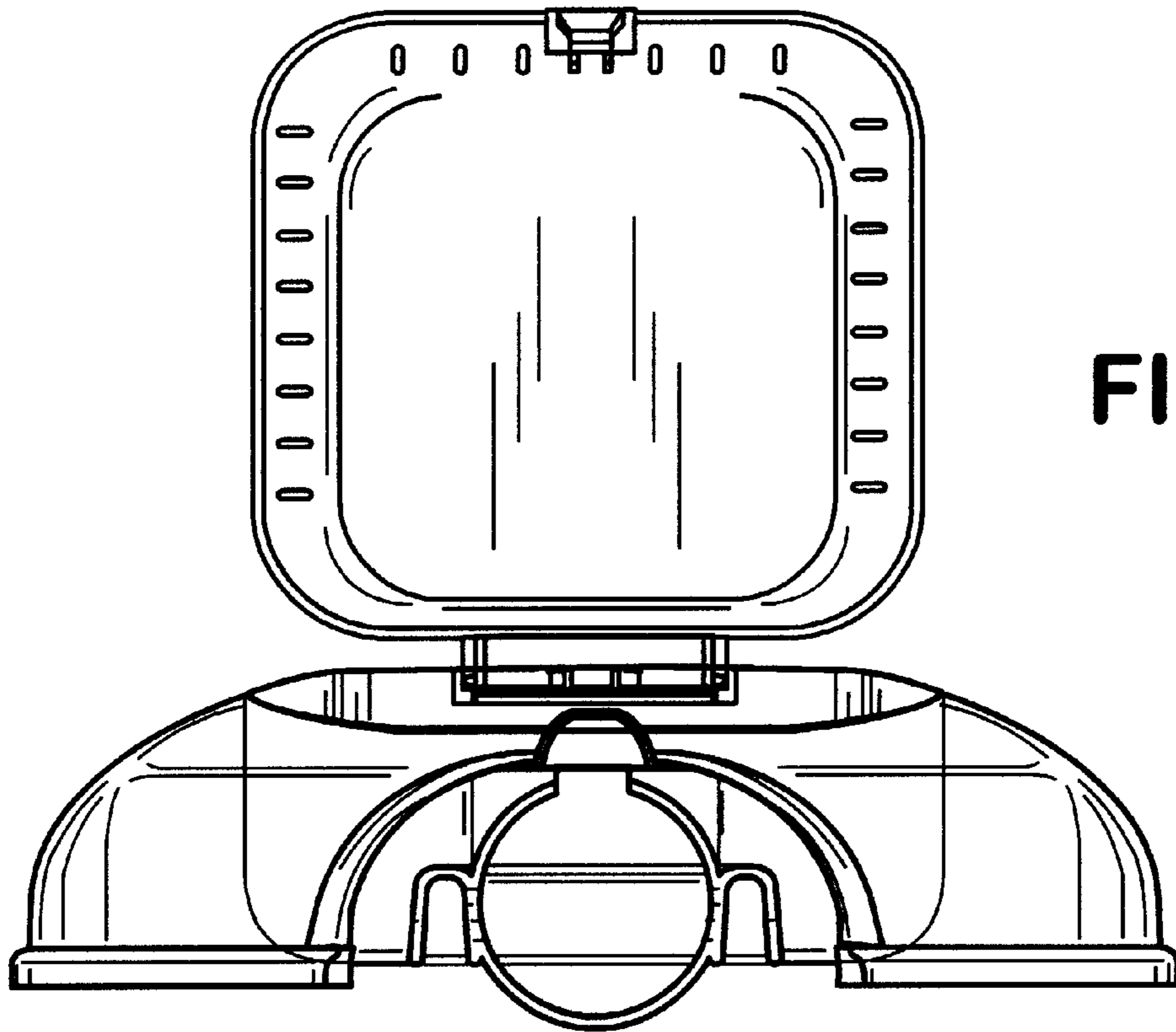


FIG. 4

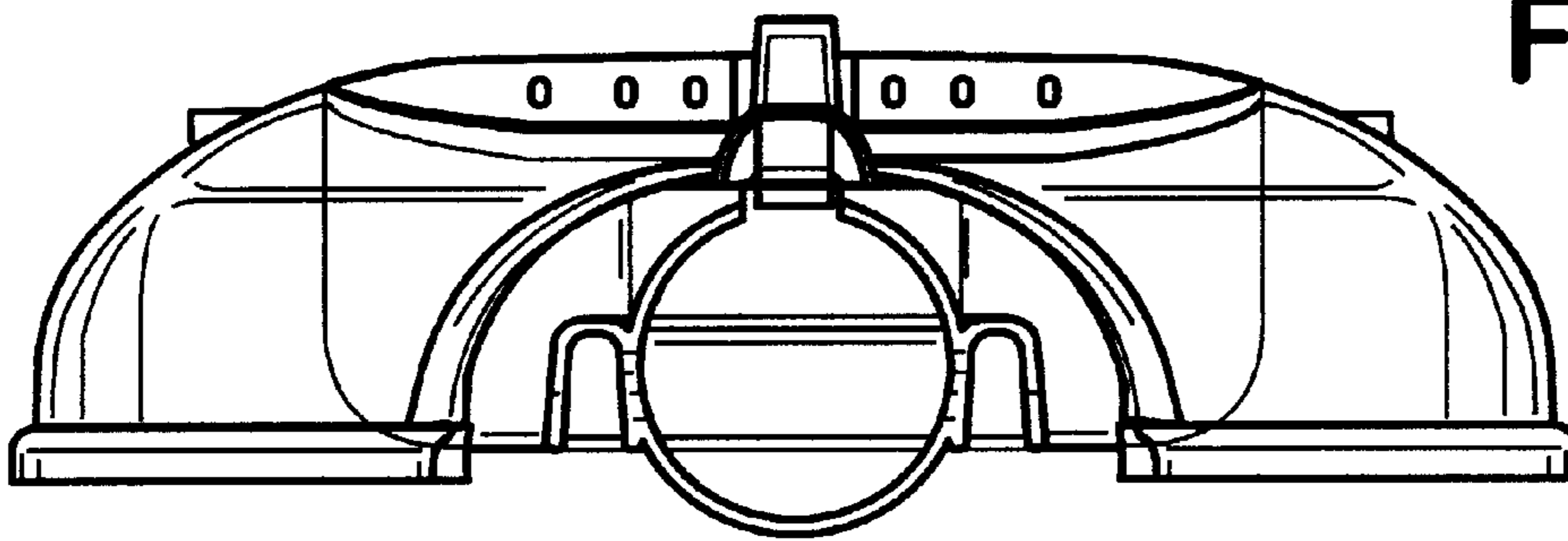


FIG. 5

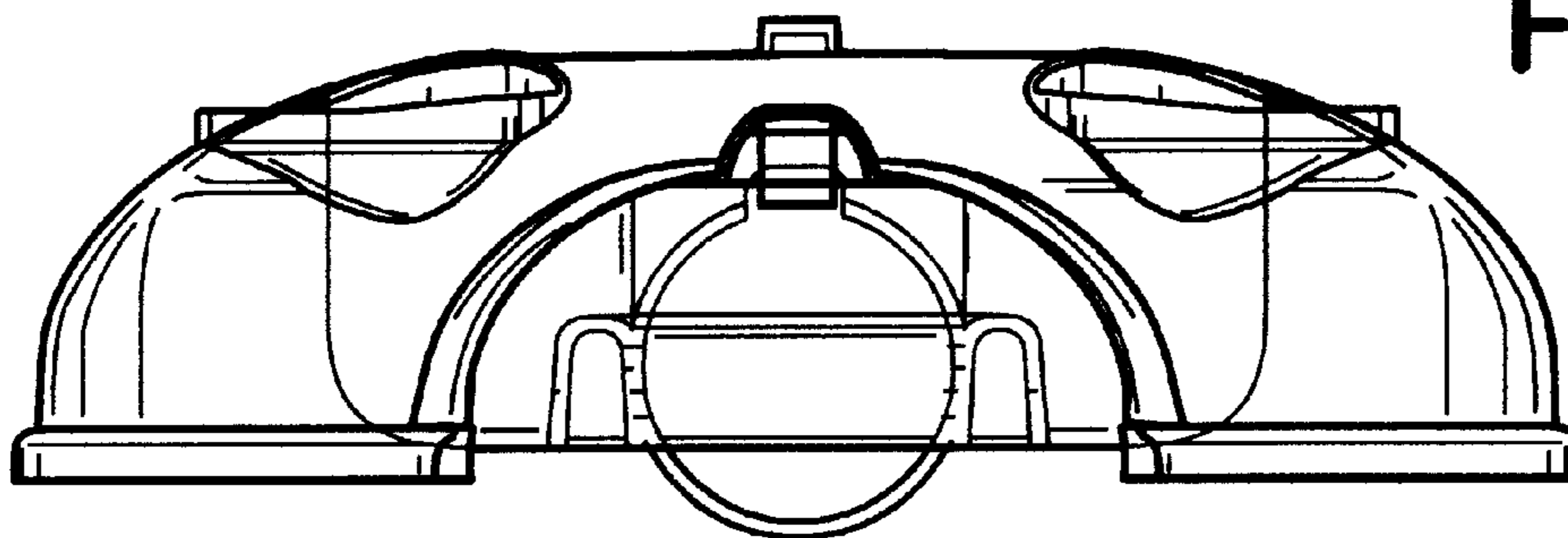


FIG. 6

FIG. 7

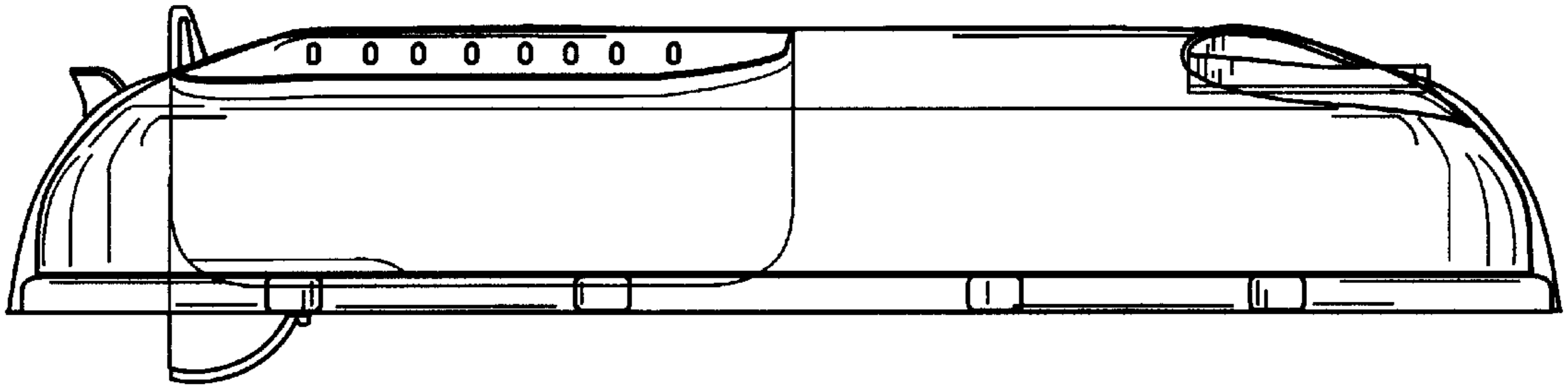


FIG. 8

