



US00D458417S

(12) **United States Design Patent**
Baskinger et al.

(10) **Patent No.:** **US D458,417 S**

(45) **Date of Patent:** **** Jun. 4, 2002**

(54) **KITCHEN FIRE EXTINGUISHER**

(75) Inventors: **Mark John Baskinger**, Pittsburgh, PA
(US); **Andrzej Jan Wroblewski**,
Vancouver (CA)

(73) Assignee: **The Board of Trustees of the**
University of Illinois, Urbana, IL (US)

(**) Term: **14 Years**

(21) Appl. No.: **29/143,418**

(22) Filed: **Jun. 13, 2001**

(51) **LOC (7) Cl.** **29-01**

(52) **U.S. Cl.** **D29/126**

(58) **Field of Search** D29/125-130;
D9/300, 536, 531; D23/225, 223; 169/30,
70, 71, 74-78, 88; 222/324, 465.1, 470,
402.14; D8/2

(56) **References Cited**

U.S. PATENT DOCUMENTS

D140,743 S * 4/1945 Boal D29/126
D211,559 S * 7/1968 Pizzurro D9/300
D244,392 S 5/1977 Montambo
D246,325 S 11/1977 Rakocy et al.
4,120,430 A * 10/1978 French 222/324

D250,353 S 11/1978 Avant
D307,648 S 5/1990 Arrington
D328,368 S * 7/1992 Levy D29/126
D334,826 S 4/1993 McSheffrey et al.
D336,607 S * 6/1993 Nye D9/300
D342,809 S 12/1993 Thomas
D406,408 S 3/1999 Fougrousse
D411,651 S 6/1999 Fougrousse

* cited by examiner

Primary Examiner—Lucy Lieberman

(74) *Attorney, Agent, or Firm*—Greer, Burns & Crain, Ltd.

(57) **CLAIM**

The ornamental design for a kitchen fire extinguisher, as shown and described.

DESCRIPTION

FIG. 1 is a perspective view of a kitchen fire extinguisher showing the new design;

FIG. 2 is a side view thereof;

FIG. 3 is a rear view thereof;

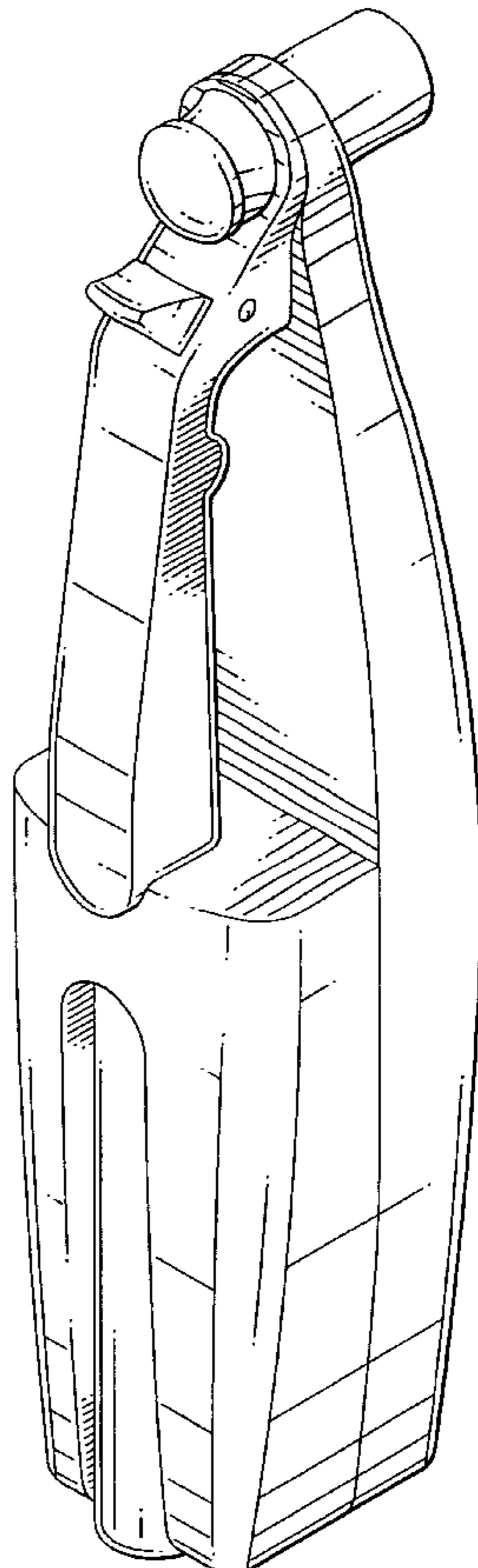
FIG. 4 is a front view thereof;

FIG. 5 is a top view thereof; and,

FIG. 6 is a bottom view thereof.

The broken lines shown in FIG. 4 are for illustrative purposes only and do not form part of the claimed design.

1 Claim, 5 Drawing Sheets



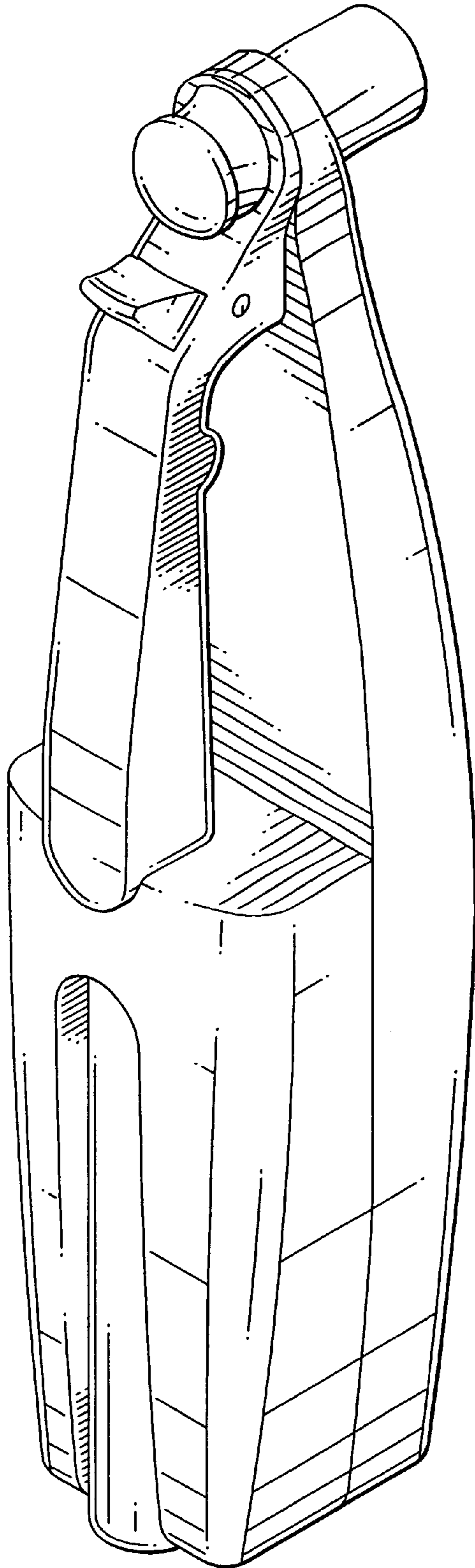


FIG.1

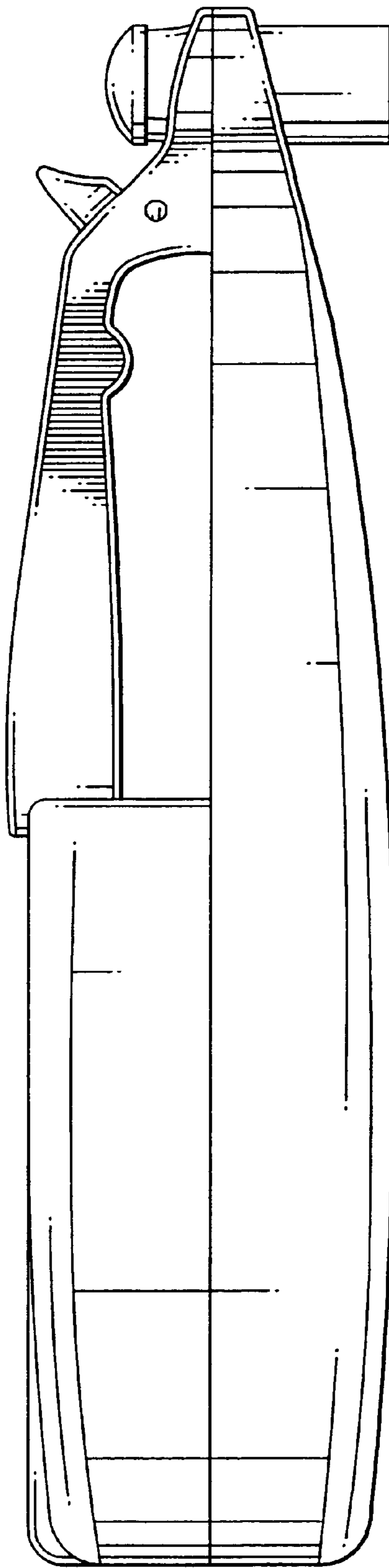


FIG.2

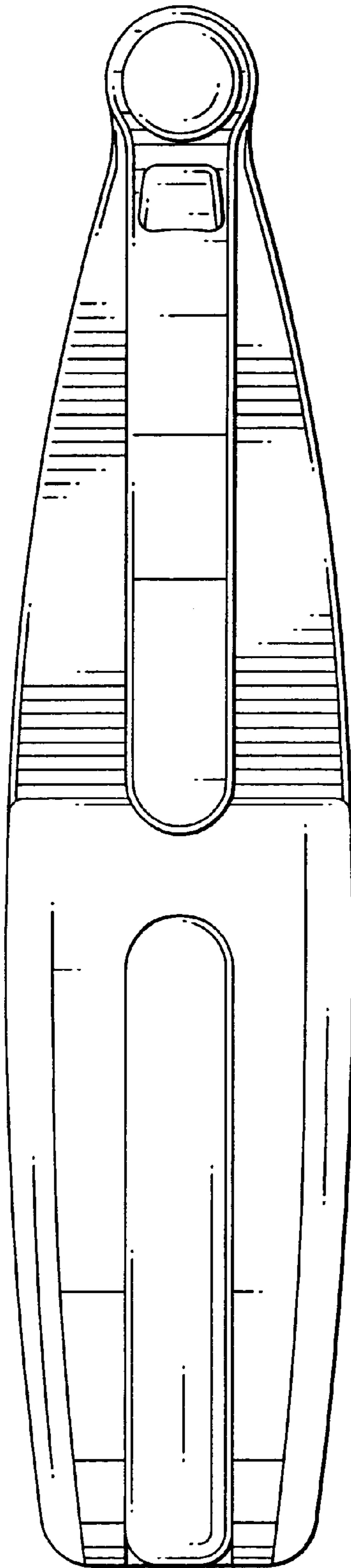


FIG.3

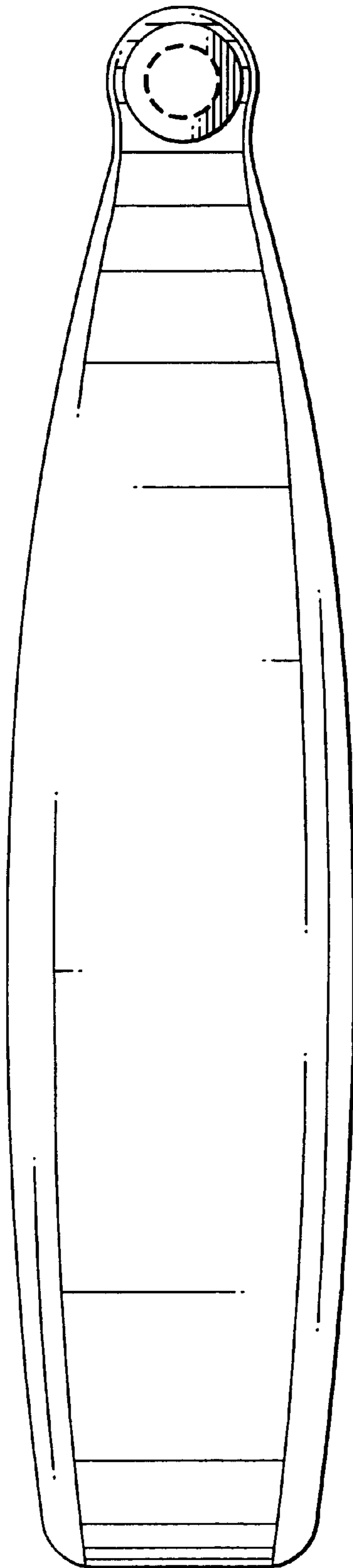


FIG.4

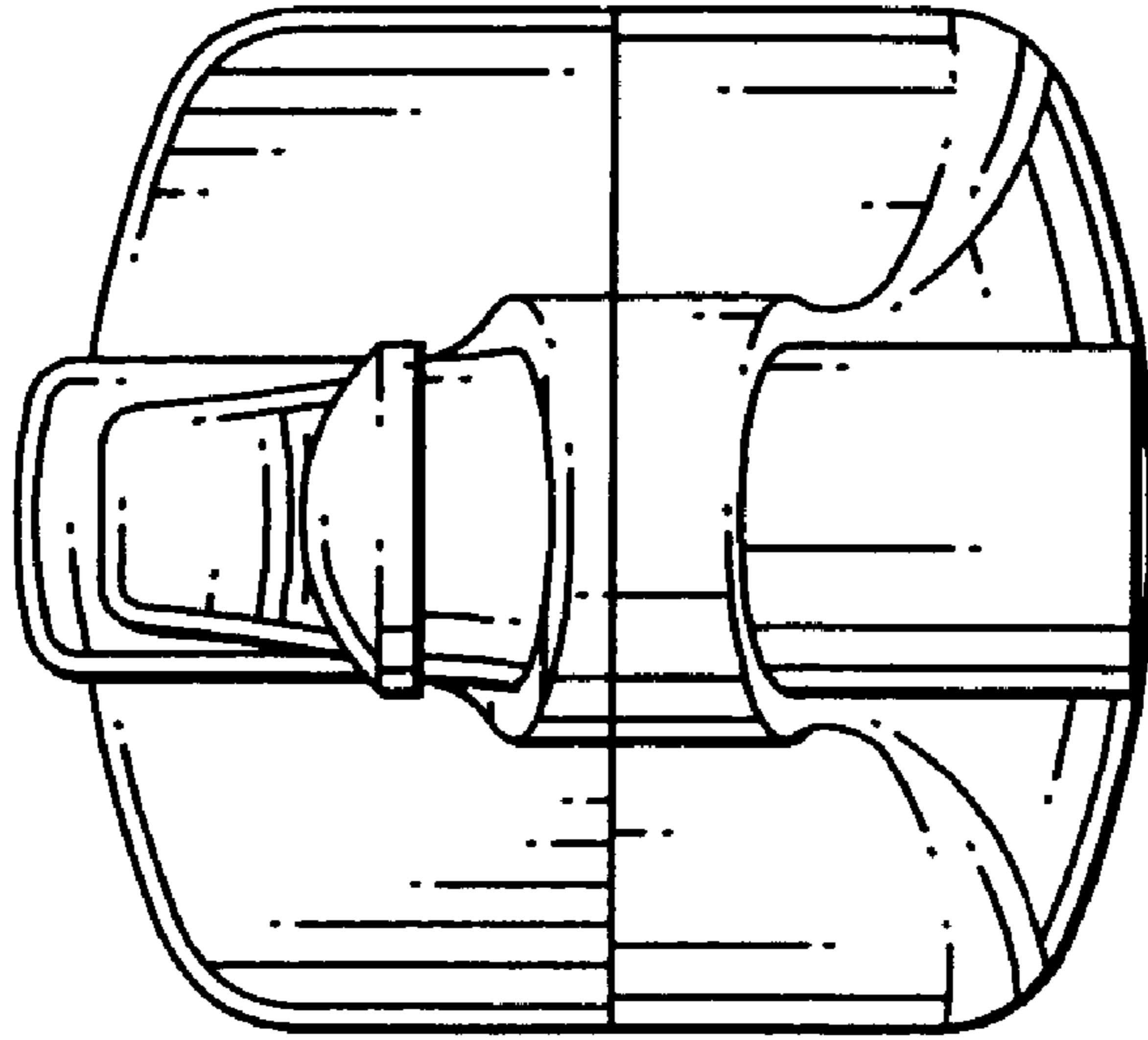


FIG. 5

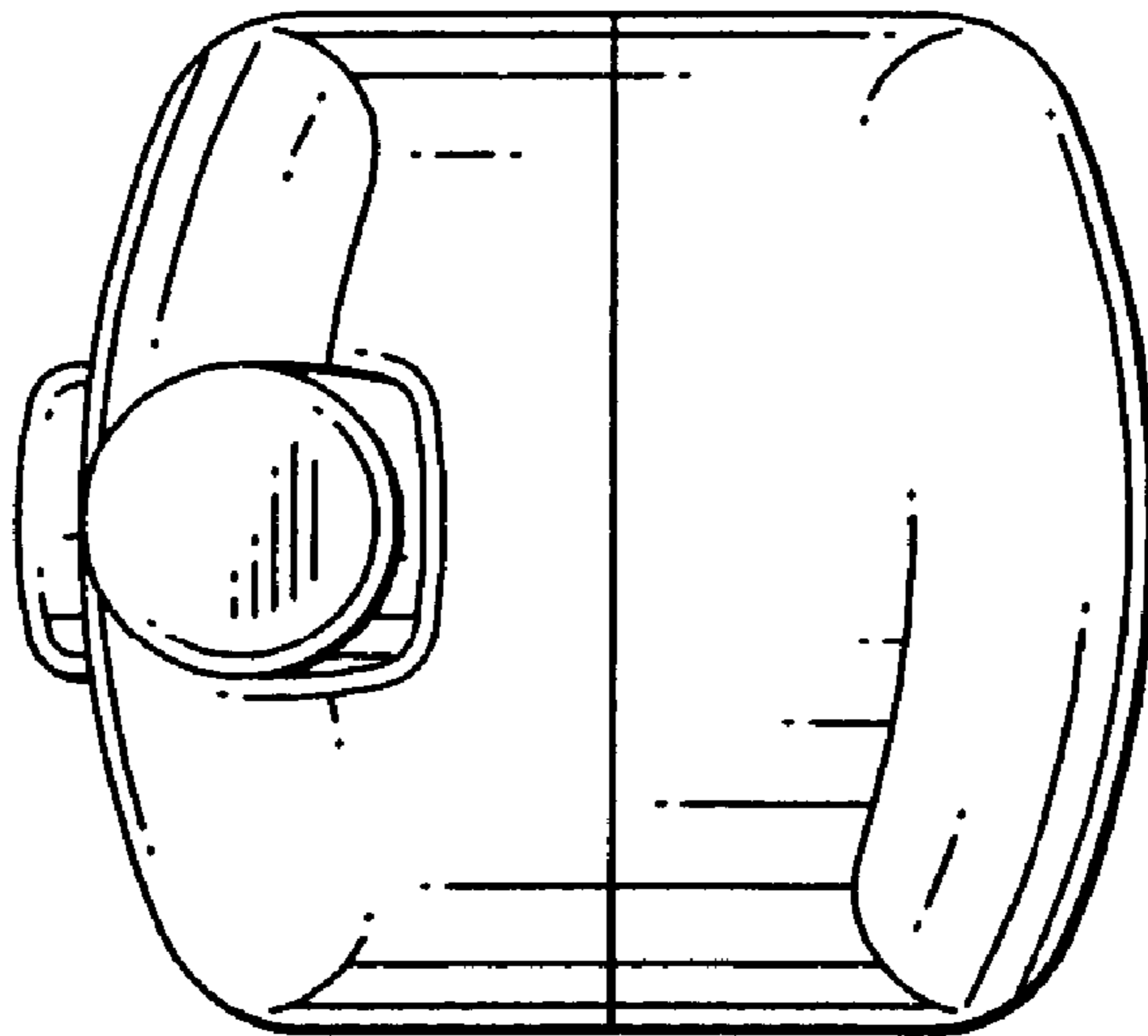


FIG. 6