

US00D458409S

(12) **United States Design Patent**
Najar et al.

(10) **Patent No.: US D458,409 S**

(45) **Date of Patent: ** *Jun. 4, 2002**

(54) **RECONFIGURABLE WINDPROOF LIGHTER STYLE PIPE**

(76) Inventors: **Rafat H. Najar; Yesser H. Alnajjar**,
both of 5842 Santa Teresa Blvd., San
Jose, CA (US) 95030

(*) Notice: This patent is subject to a terminal dis-
claimer.

(**) Term: **14 Years**

(21) Appl. No.: **29/126,400**

(22) Filed: **Jul. 17, 2000**

(51) **LOC (7) Cl. 27-02**

(52) **U.S. Cl. D27/165; D27/143**

(58) **Field of Search D27/141, 142,**
D27/143, 147, 159, 163-169; 431/253;
206/242, 266; 131/329, 330, 222, 178,
184.2, 193, 225, 226, 227

(56) **References Cited**

U.S. PATENT DOCUMENTS

5,529,078 A * 6/1996 Rehder et al. 131/329 X
D399,600 S * 10/1998 Bowen et al. D27/163 X
5,967,312 A * 10/1999 Jacobs 206/266

* cited by examiner

Primary Examiner—Jennifer Rivard

(74) *Attorney, Agent, or Firm*—William W. Burns

(57) **CLAIM**

The ornamental design for a reconfigurable windproof
lighter style pipe, as shown and described.

DESCRIPTION

FIG. 1 is a perspective view of the reconfigurable windproof
lighter style pipe shown in an unassembled state.

FIG. 2 is an exploded perspective view of the reconfigurable
windproof lighter style pipe.

FIG. 3 is an exploded perspective view of the reconfigurable
windproof lighter style pipe.

FIG. 4 is an exploded perspective view of the reconfigurable
windproof lighter style pipe.

FIG. 5 is a perspective of the reconfigurable windproof
lighter style pipe shown in an assembled state.

FIG. 6 is a left side elevation view of the case portion of the
reconfigurable windproof lighter style pipe.

FIG. 7 is a right side elevation view thereof.

FIG. 8 is a top plan view thereof.

FIG. 9 is a bottom plan view thereof.

FIG. 10 is a front elevation view thereof.

FIG. 11 is a rear elevation view thereof.

FIG. 12 a left side elevation view of the pipe portion of the
reconfigurable windproof lighter style pipe.

FIG. 13 is a right side elevation view thereof.

FIG. 14 is a top plan view thereof.

FIG. 15 is a bottom plan view thereof.

FIG. 16 is a rear elevation view thereof.

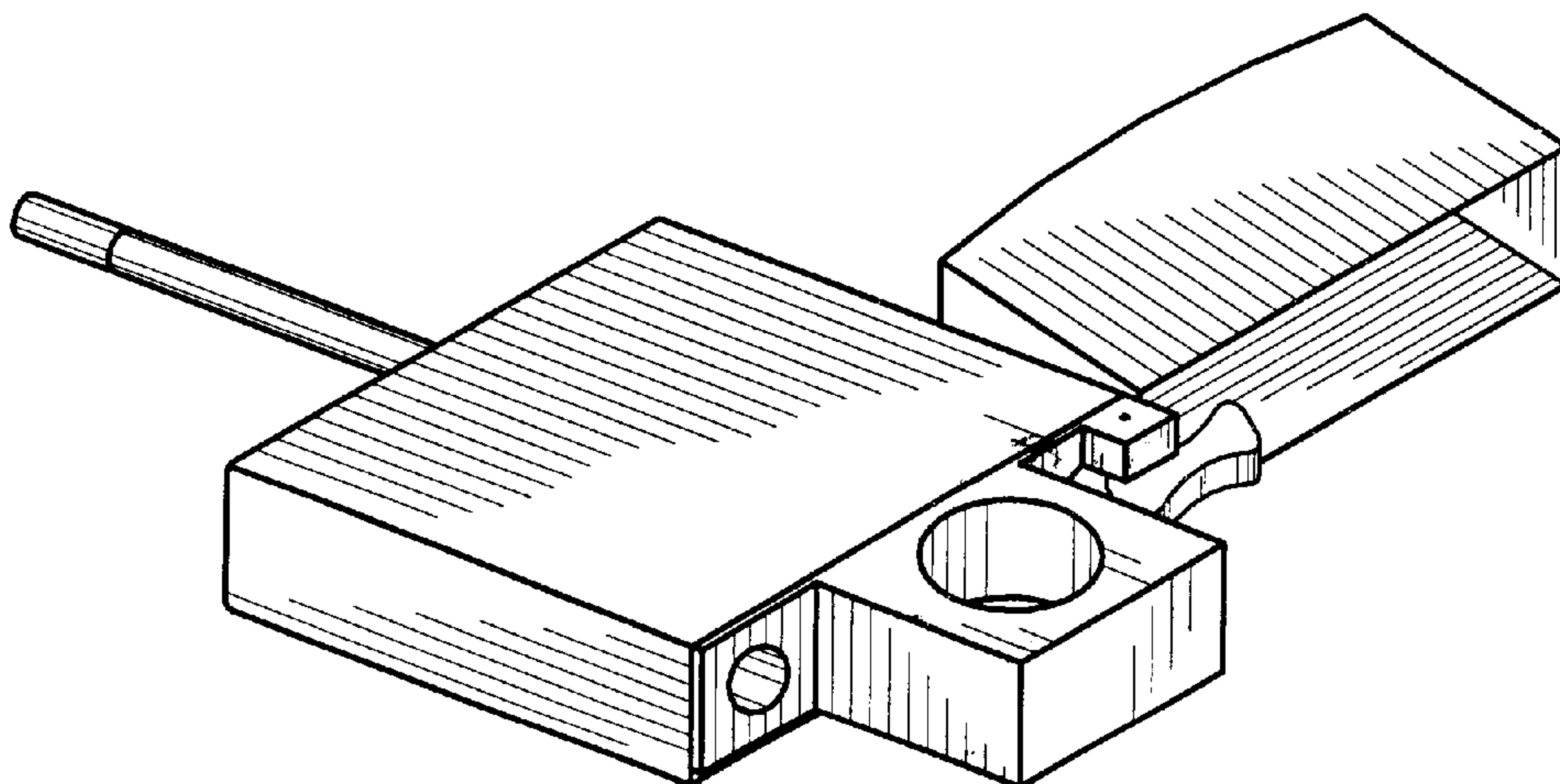
FIG. 17 is a front elevation view thereof.

FIG. 18 is a side elevation view of the pipe stem portion of
the reconfigurable windproof lighter style pipe; and,

FIG. 19 is a top plan view of the O-ring portion of the
reconfigurable windproof lighter style pipe.

The various portions of the claimed design are shown
separately for convenience of illustration.

1 Claim, 5 Drawing Sheets



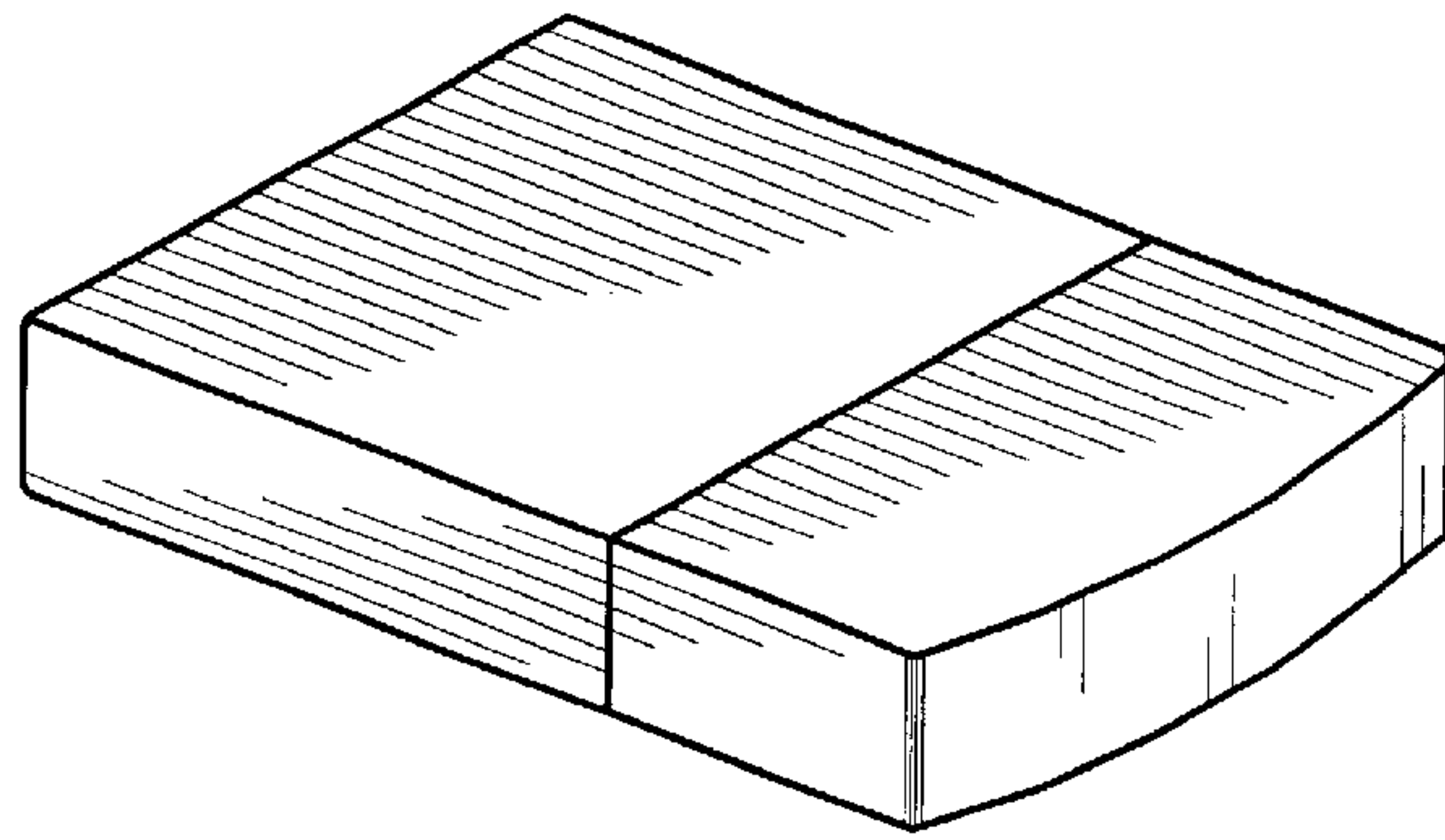


FIG. 1

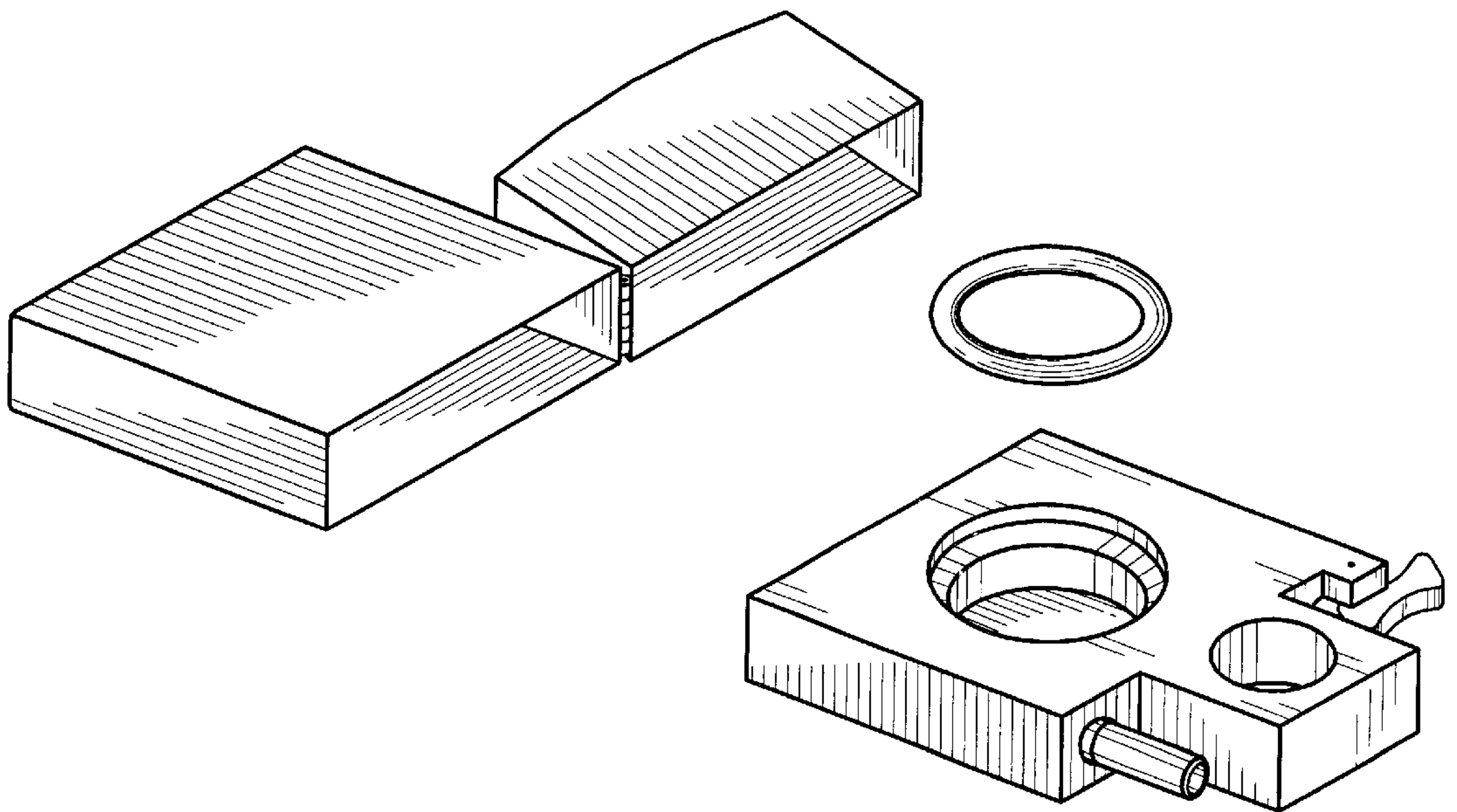


FIG. 2

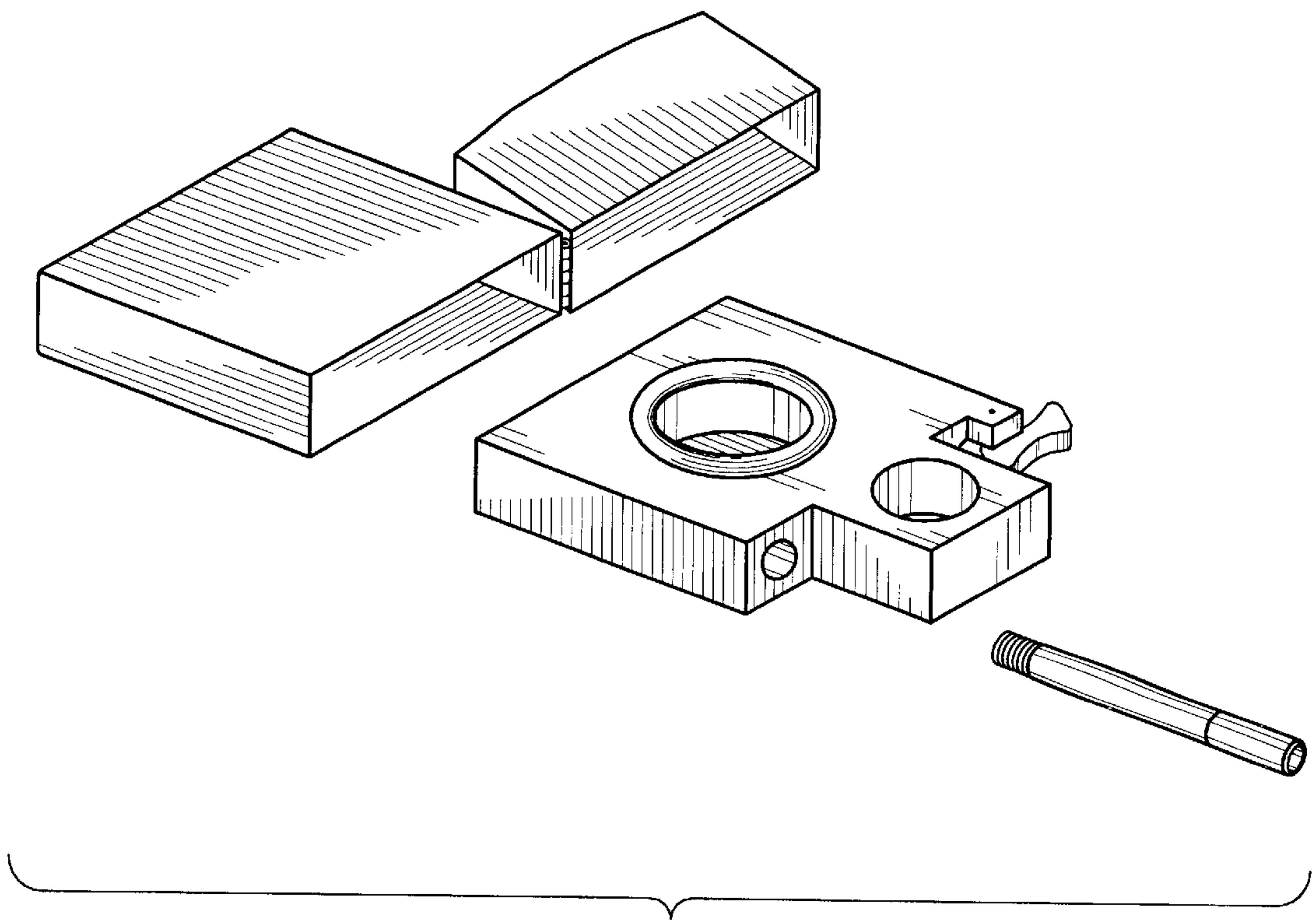


FIG. 3

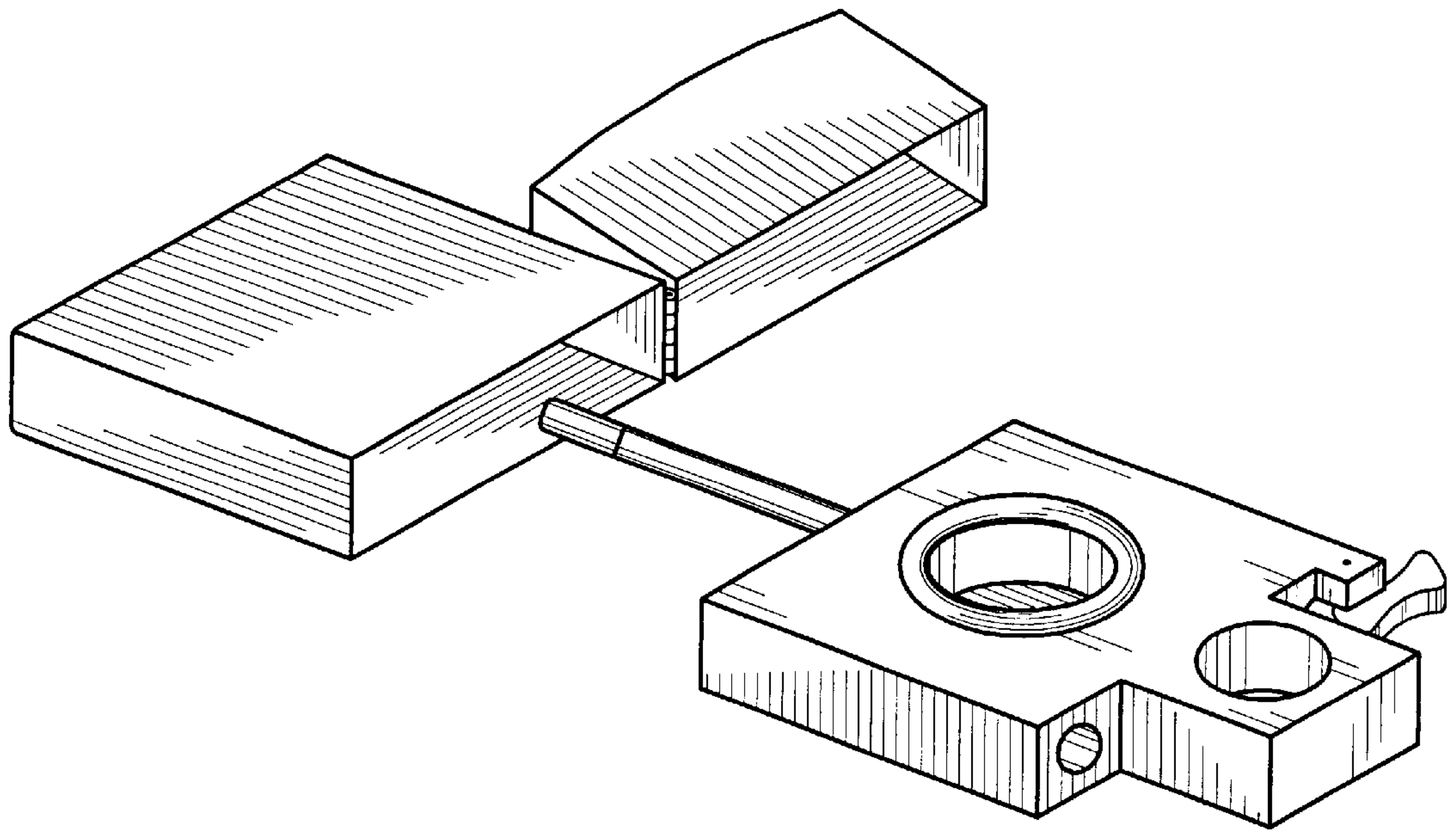


FIG. 4

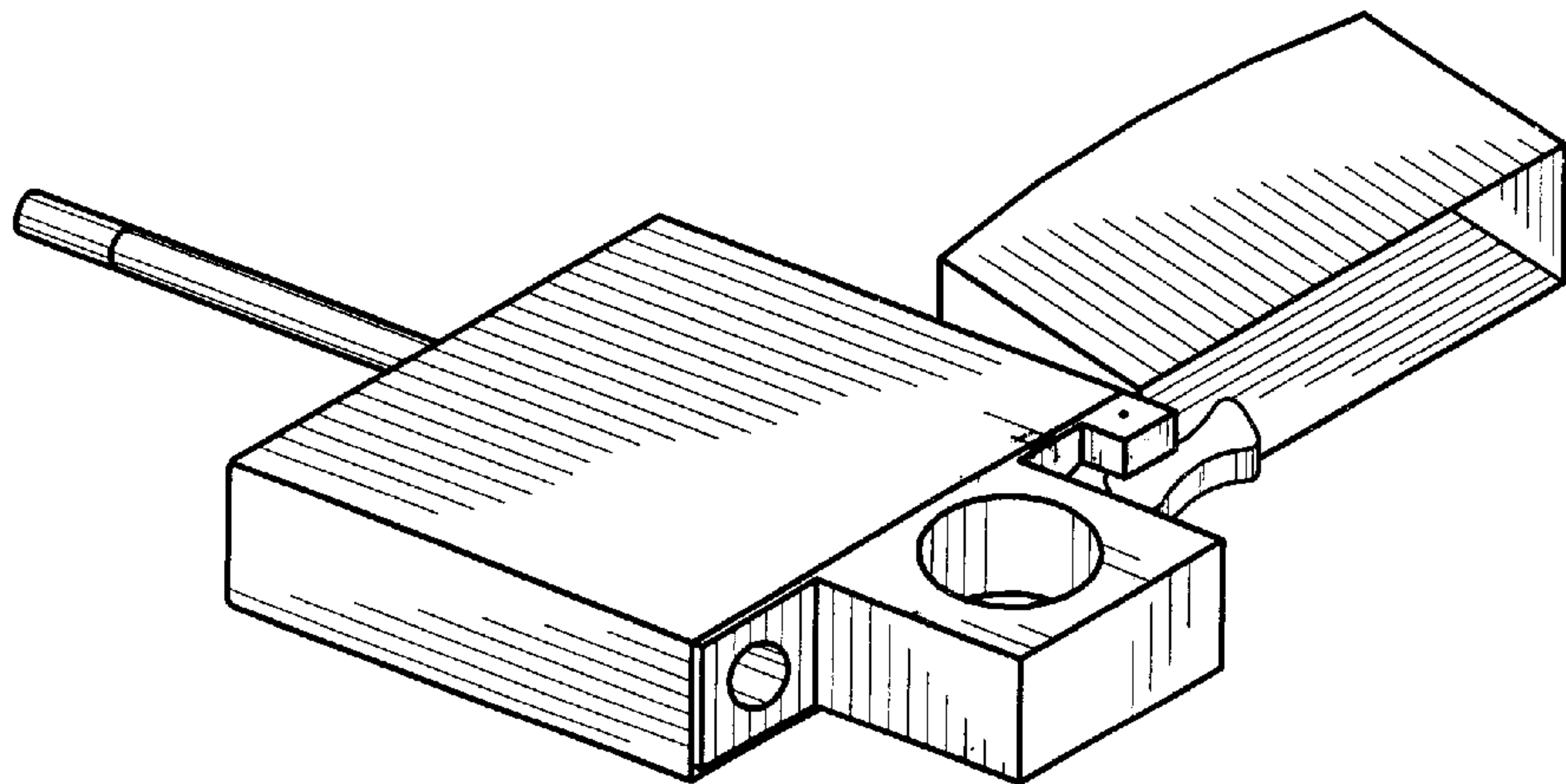


FIG. 5

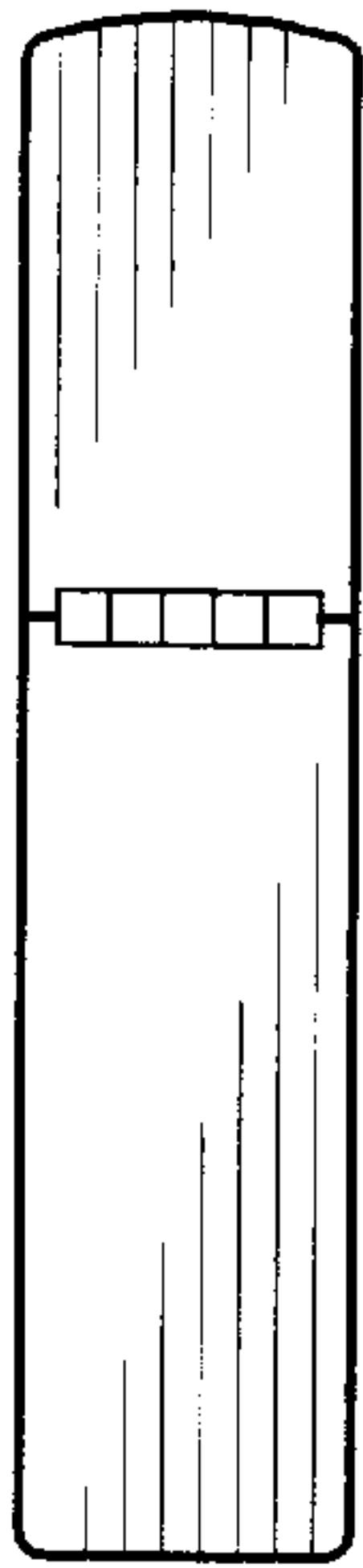


FIG. 6

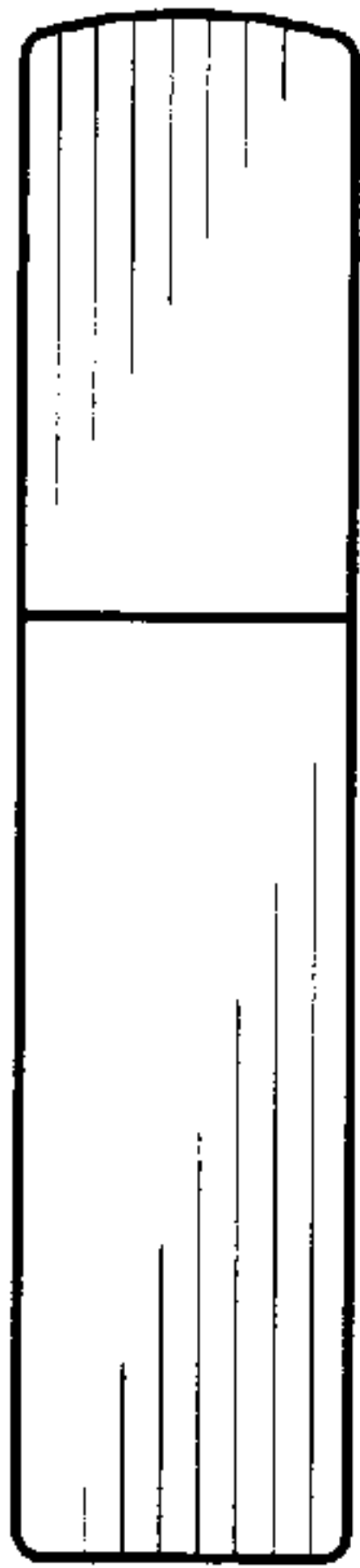


FIG. 7

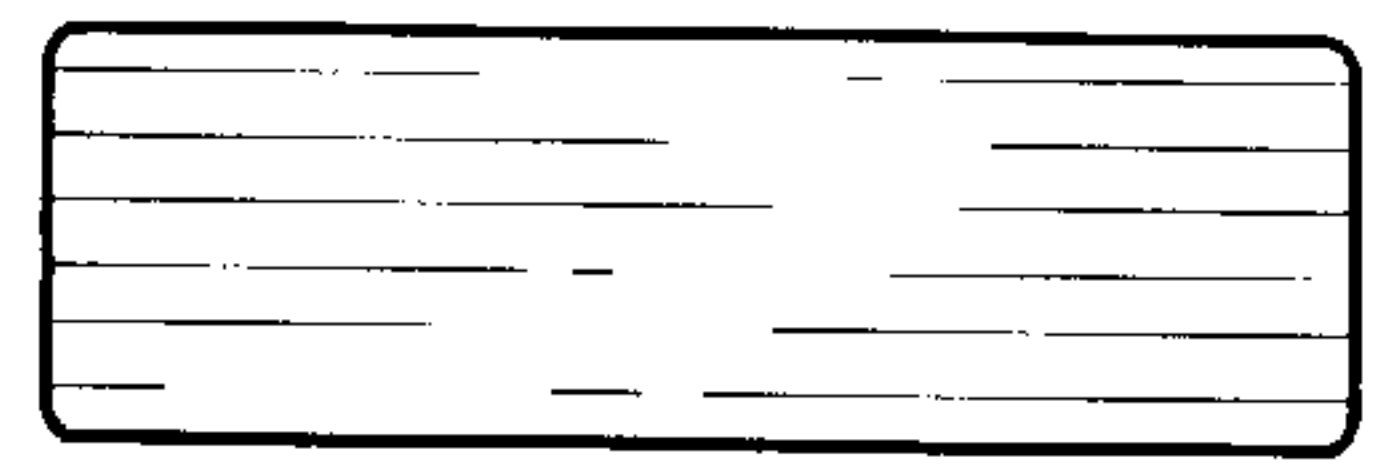


FIG. 8

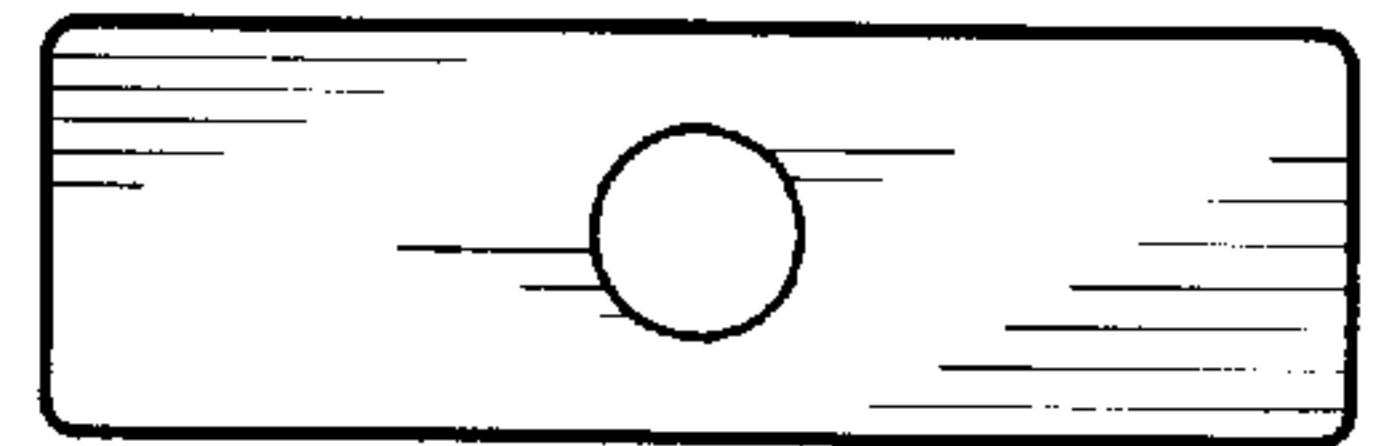


FIG. 9

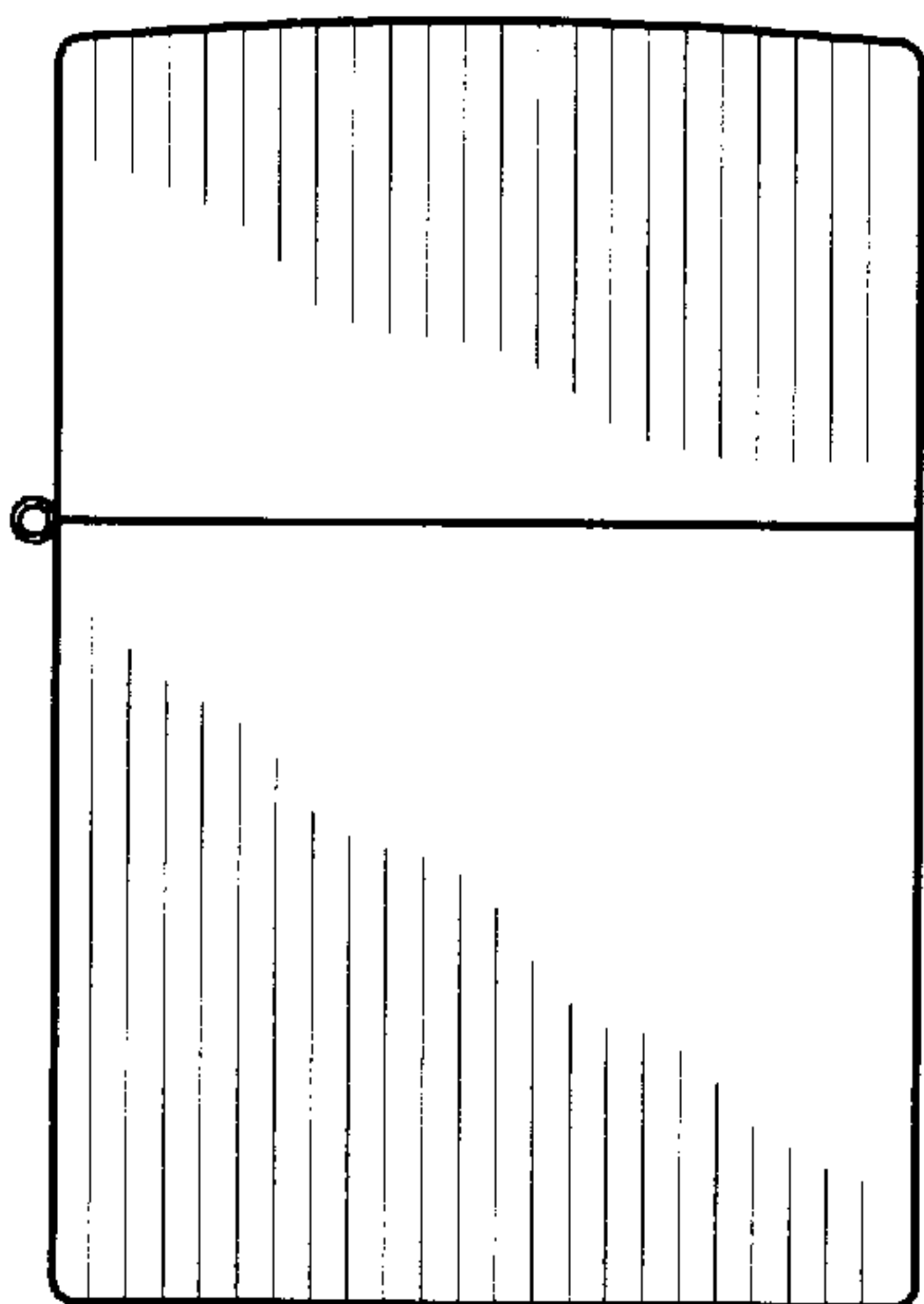


FIG. 10

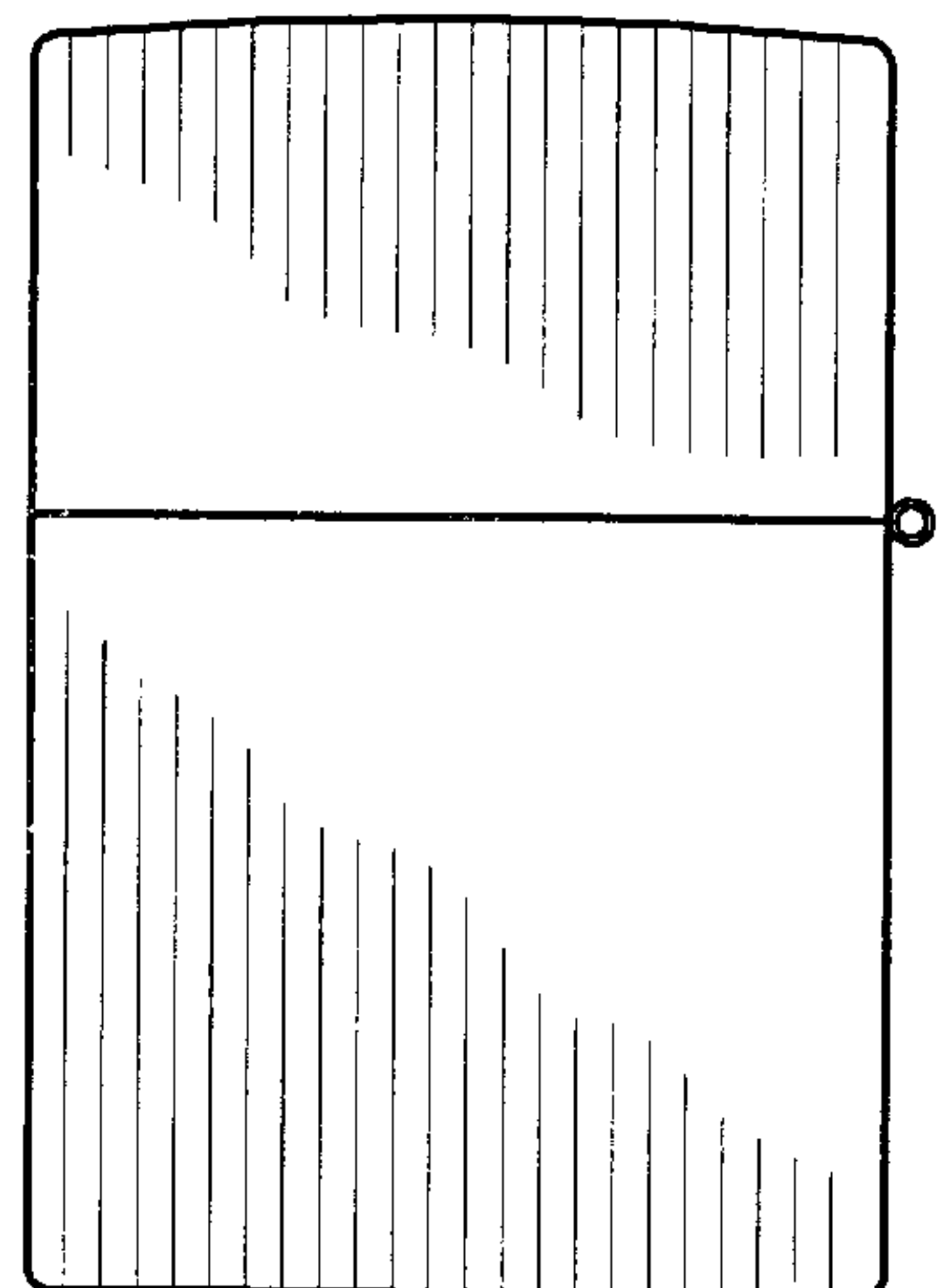


FIG. 11

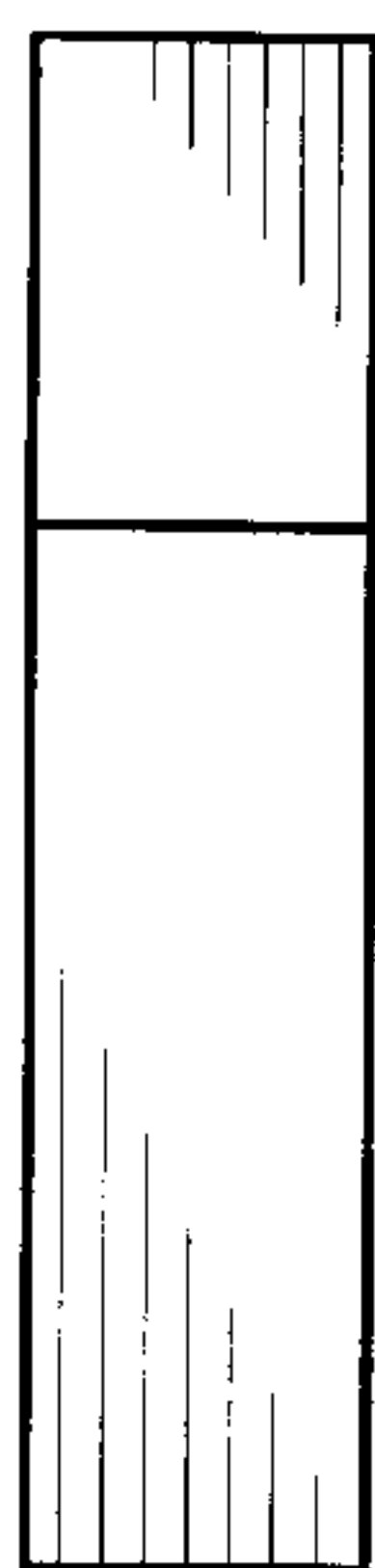


FIG. 12

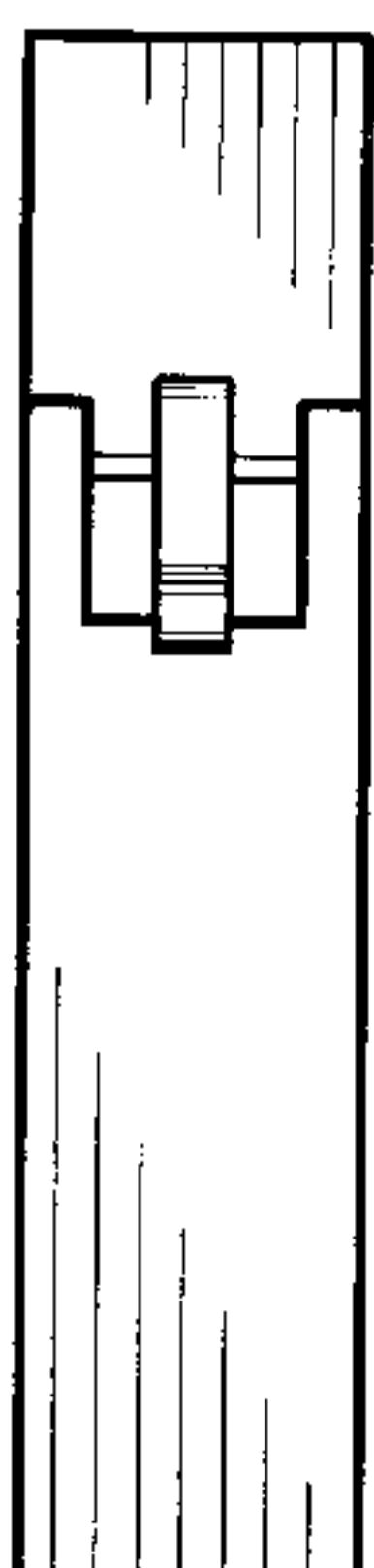


FIG. 13



FIG. 14

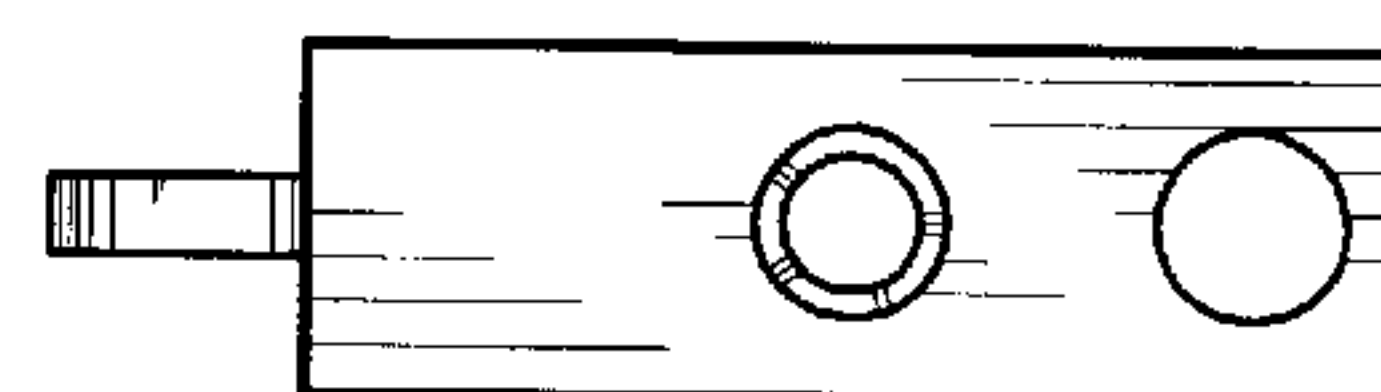


FIG. 15

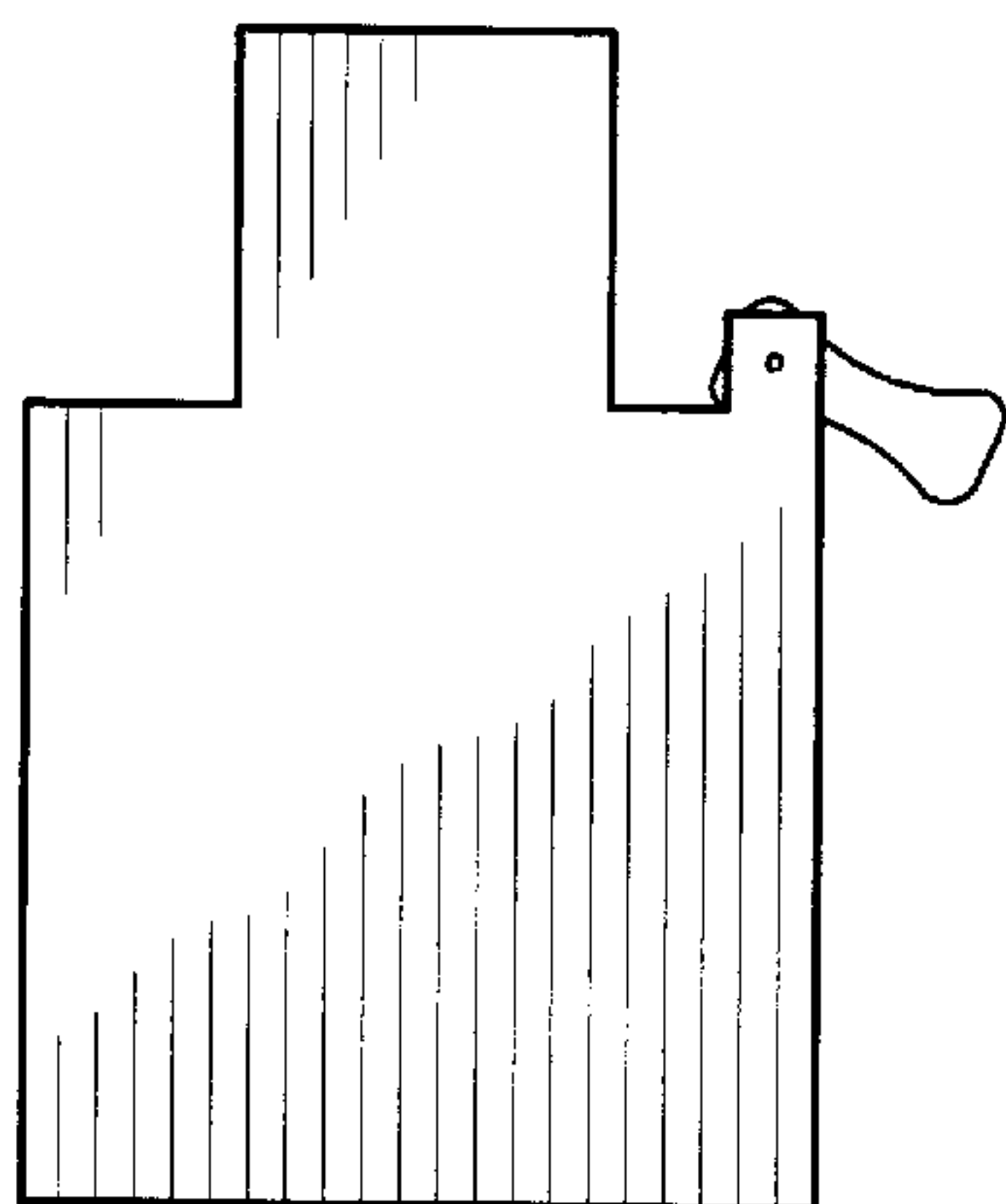


FIG. 16

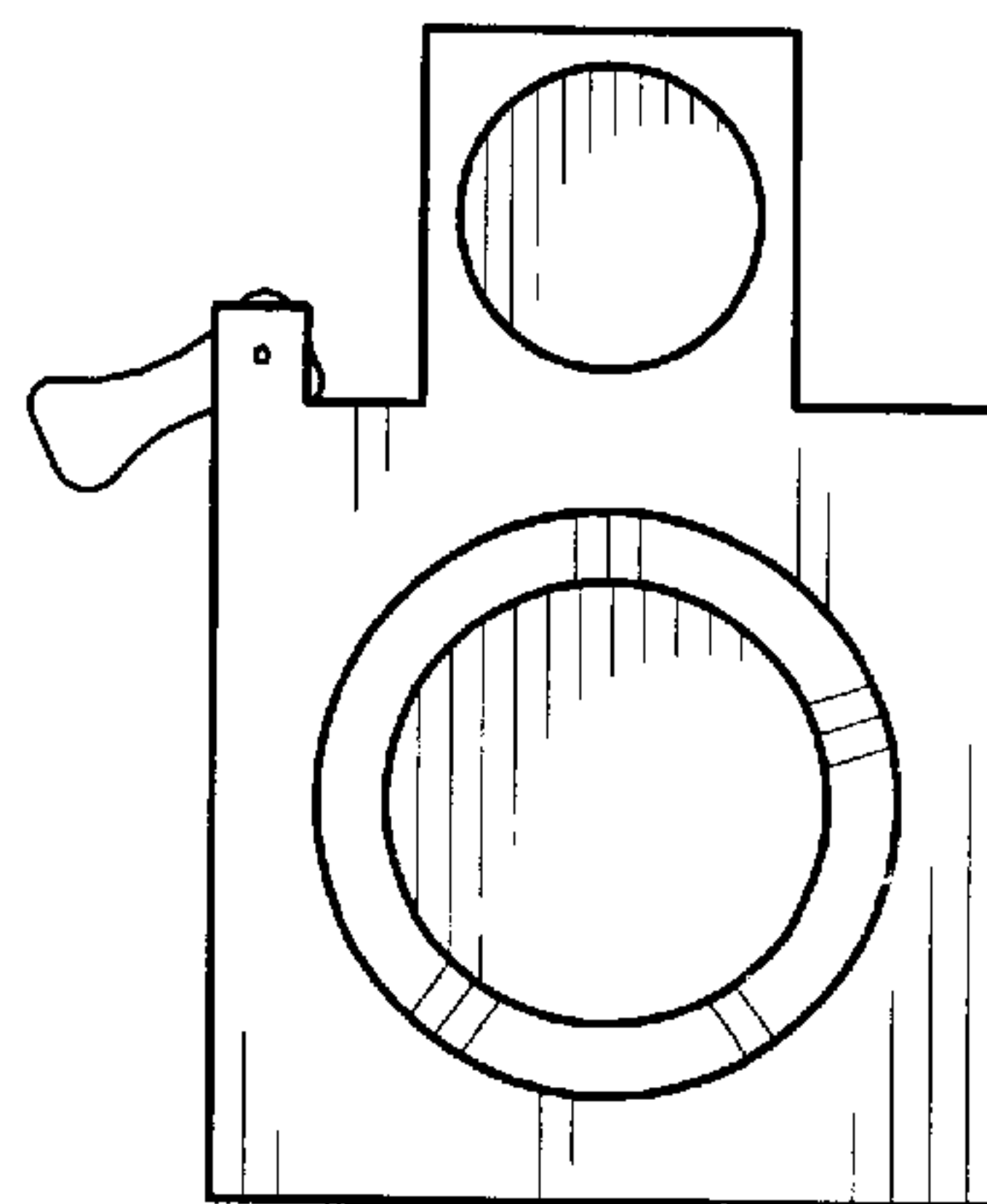


FIG. 17

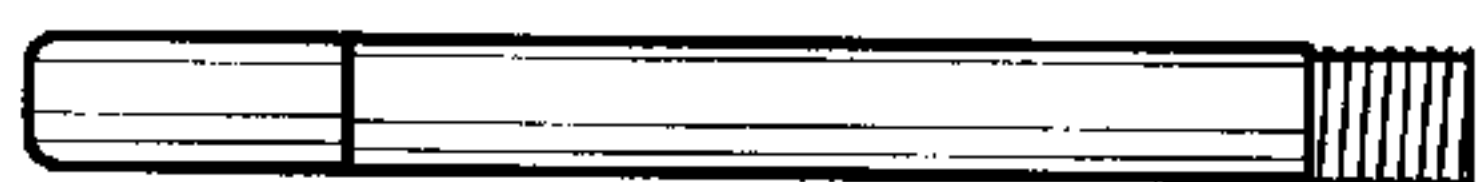


FIG. 18

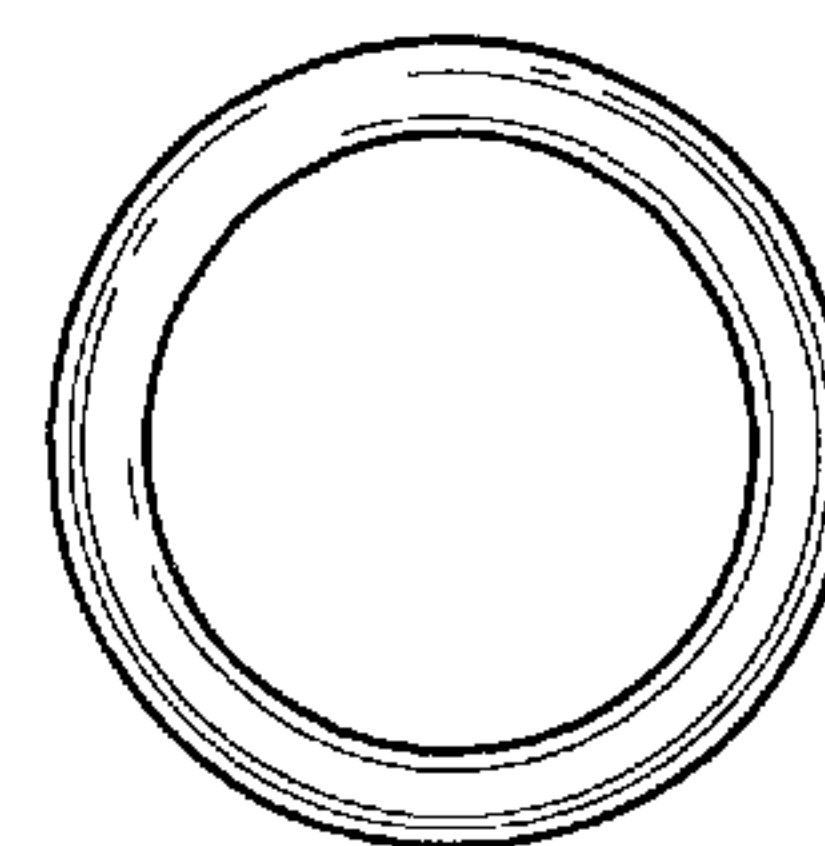


FIG. 19