



US00D458407S

(12) **United States Design Patent**
Yu

(10) **Patent No.:**

US D458,407 S

(45) **Date of Patent:**

**** Jun. 4, 2002**

(54) **RECEPTACLE ADAPTER**

(76) Inventor: **Jeff Yu**, 1101 S. Winchester Blvd.
#D146, San Jose, CA (US) 95128

(**) Term: **14 Years**

(21) Appl. No.: **29/136,056**

(22) Filed: **Jan. 25, 2001**

(51) **LOC (7) Cl.** **26-03**

(52) **U.S. Cl.** **D26/127; D26/26; D11/121**

(58) **Field of Search** D26/26, 94, 101,
D26/125, 127, 4; D11/121, 134, 139, 133;
362/226, 806, 95, 276, 432, 810

(56) **References Cited**

U.S. PATENT DOCUMENTS

D107,217 S	*	11/1937	Charette	D11/128
3,003,623 A	*	10/1961	Paul et al.	362/806
D231,250 S	*	4/1974	Klassen	D34/26
D330,572 S	*	10/1992	Gehlbach	D11/121
D349,359 S	*	8/1994	McLaughlin, II	D26/101
D368,439 S	*	4/1996	Romero	D11/125

D383,557 S	*	9/1997	Schifrin	D26/26
D387,303 S	*	12/1997	Hansen	D11/121
D387,699 S	*	12/1997	Chen	D11/121
D397,812 S	*	9/1998	Schifrin	D26/26
D397,956 S	*	9/1998	Lee	D11/121

* cited by examiner

Primary Examiner—Cynthia E. Ramirez

(57) **CLAIM**

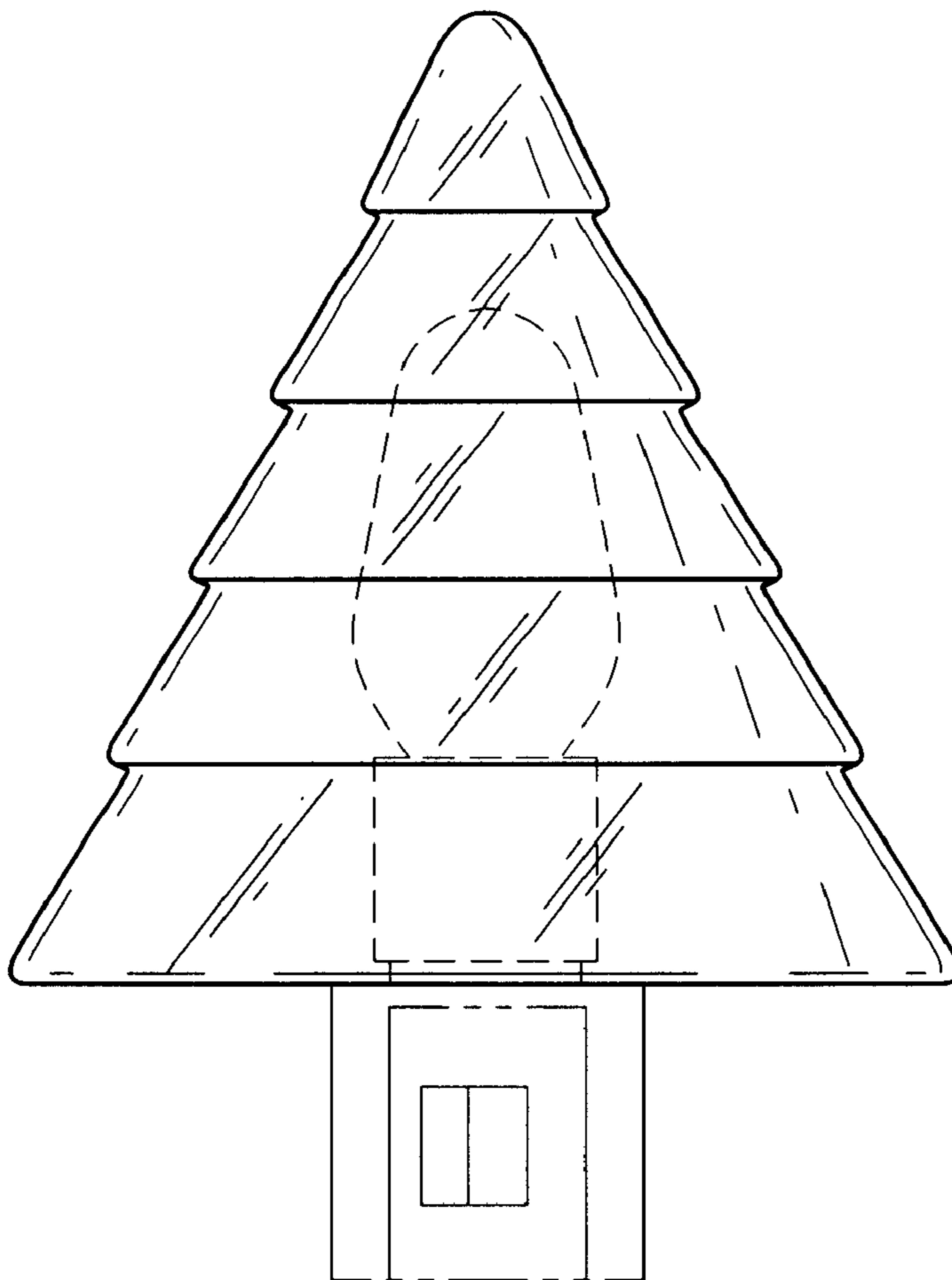
The ornamental design for a receptacle adapter, as shown and described.

DESCRIPTION

FIG. 1 is a front elevational view of a receptacle adapter; FIG. 2 is a right side elevational view thereof; FIG. 3 is a top view thereof; FIG. 4 is a rear elevational view thereof; and, FIG. 5 is a bottom view thereof.

The surface or portion of the article not shown in the drawing or described in the specification forms no part of the claimed design.

1 Claim, 2 Drawing Sheets



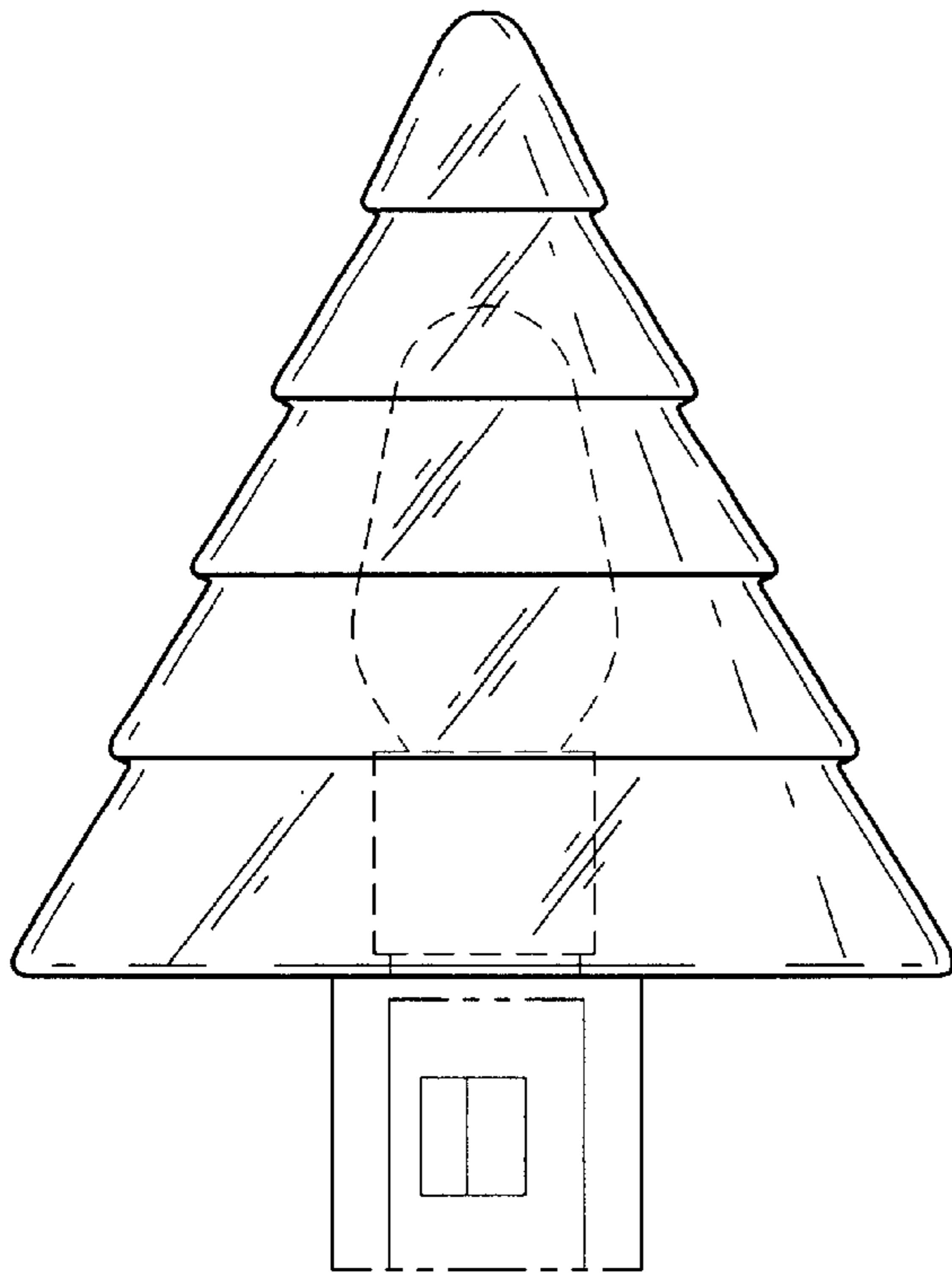


FIG. 1

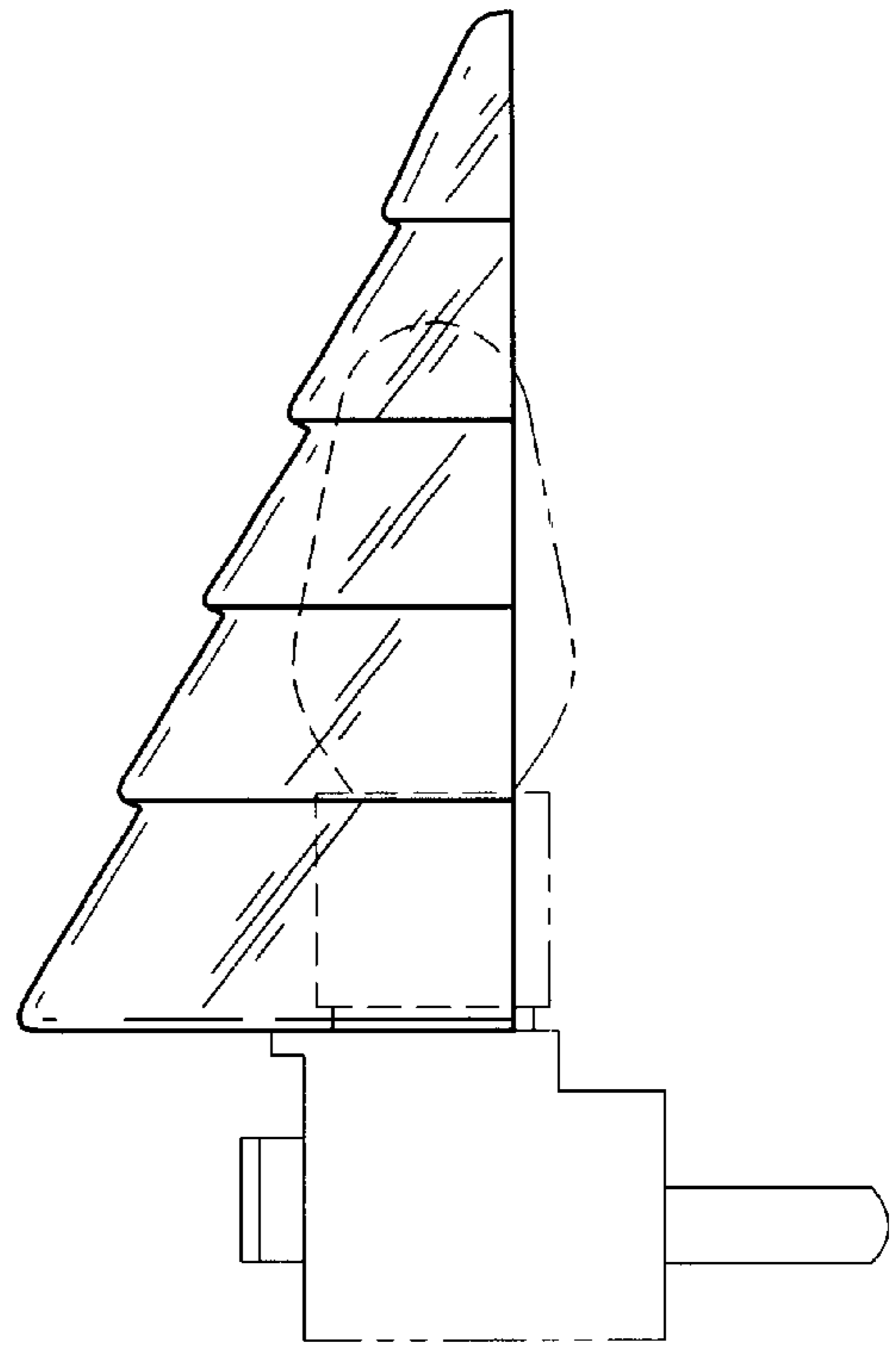


FIG. 2

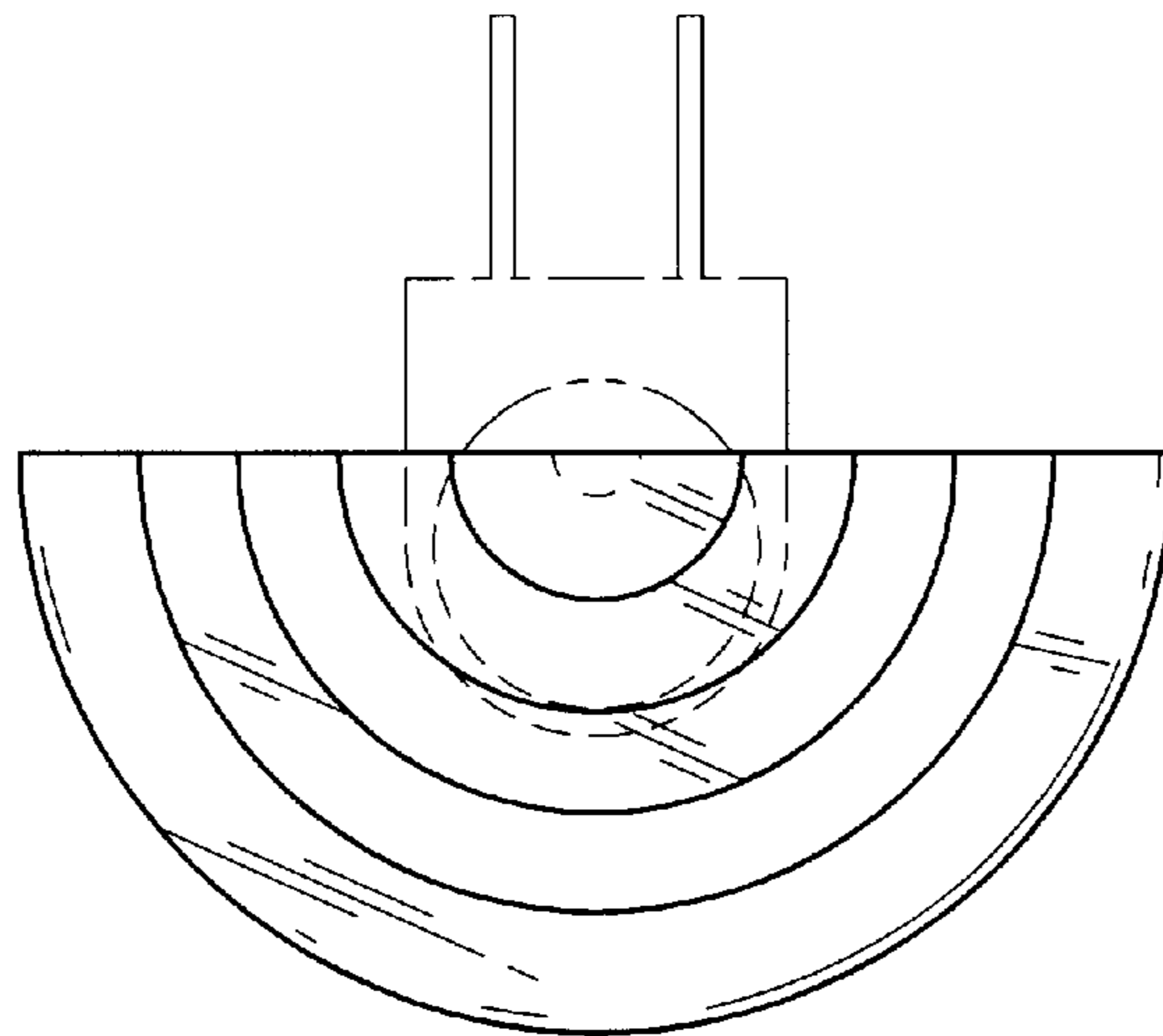


FIG. 3

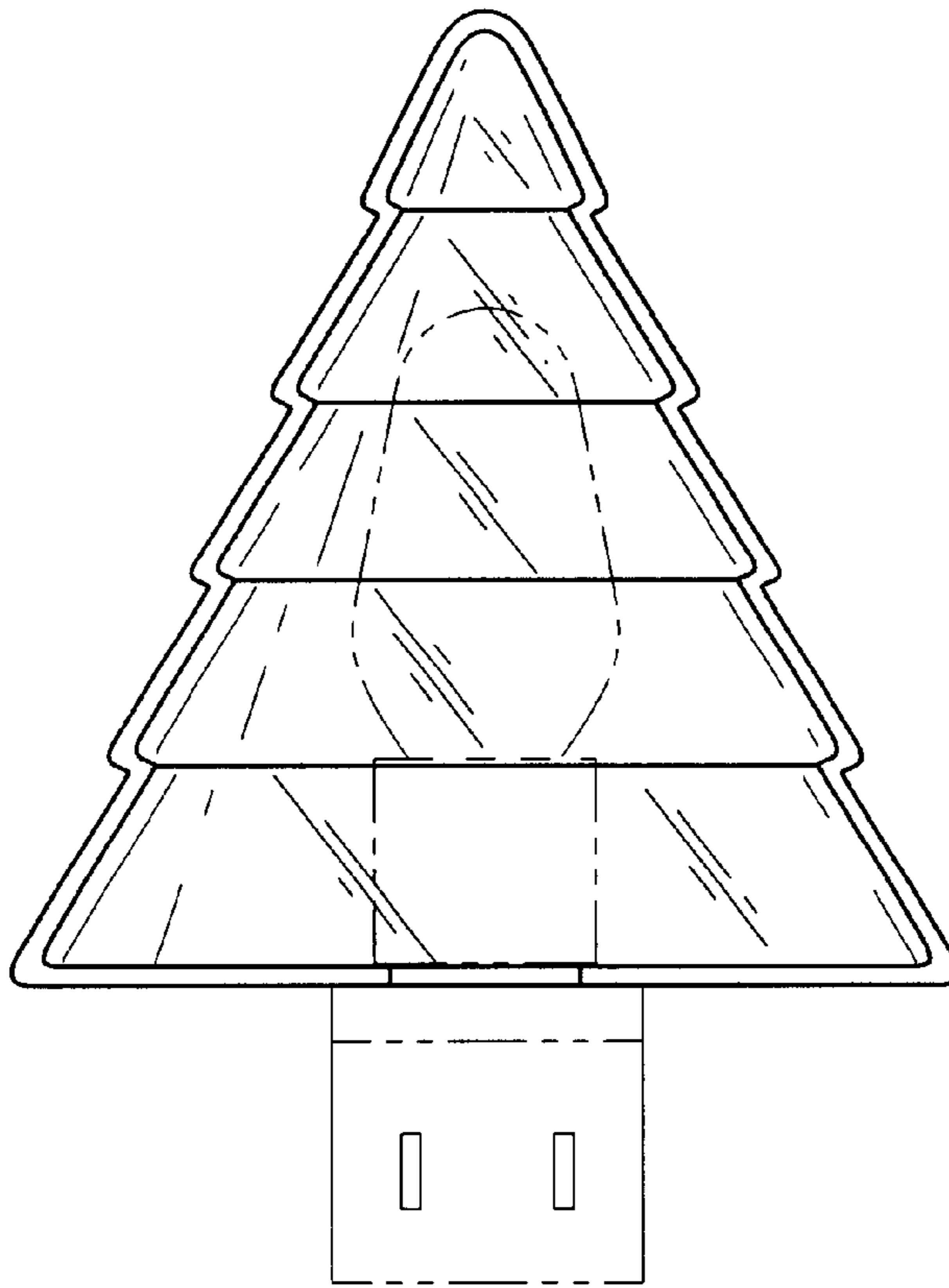


FIG. 4

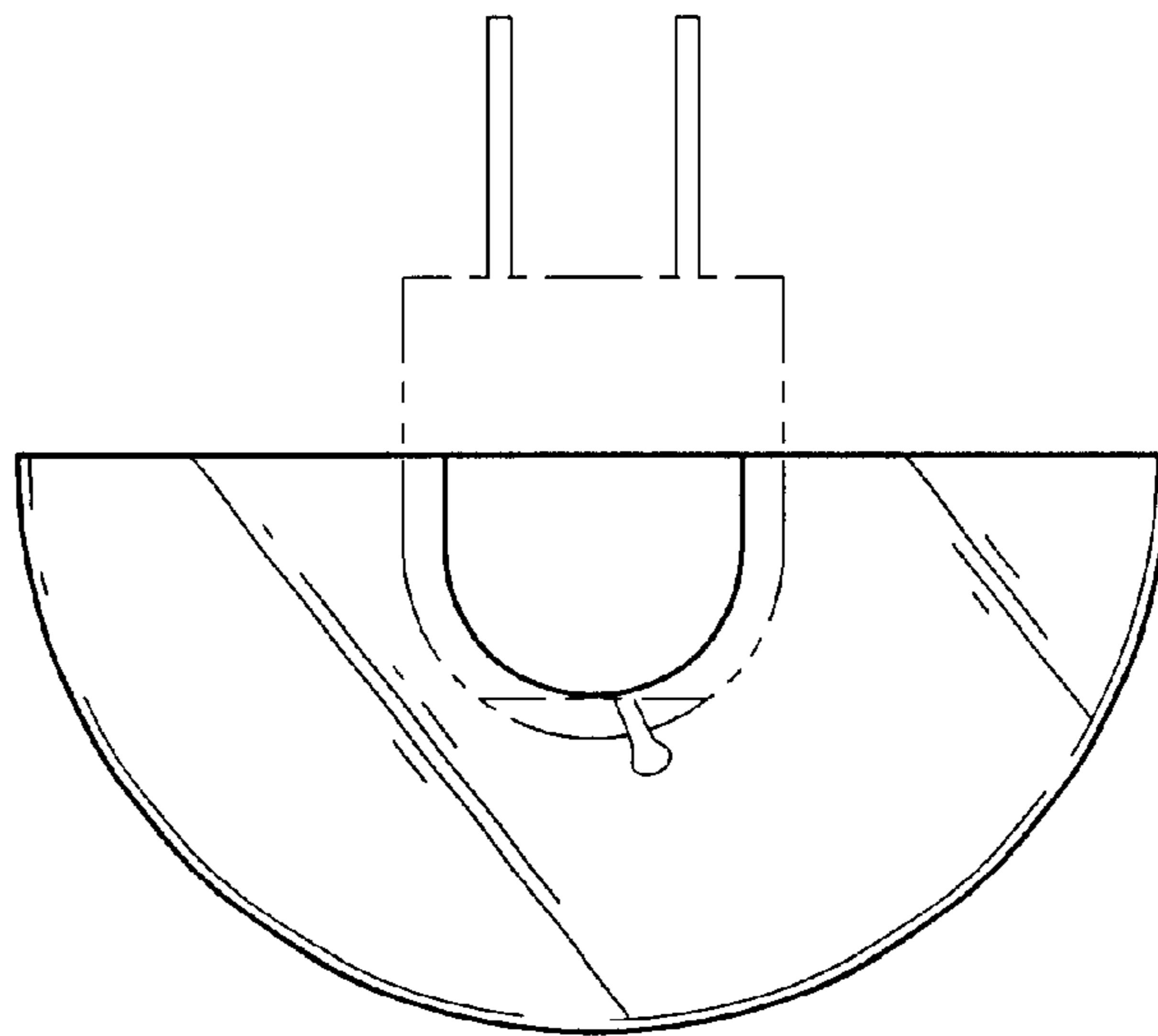


FIG. 5