



US00D458405S

(12) **United States Design Patent**
Hsu

(10) **Patent No.:** **US D458,405 S**

(45) **Date of Patent:** **** Jun. 4, 2002**

(54) **WALL LAMP**

(75) Inventor: **Peter Hsu**, Taichung (TW)

(73) Assignee: **Dong Guan Bright Yin Huey Lighting Co., Ltd.**, Guang Dong (CN)

(**) Term: **14 Years**

(21) Appl. No.: **29/145,483**

(22) Filed: **Jul. 25, 2001**

(51) **LOC (7) Cl.** **26-03**

(52) **U.S. Cl.** **D26/92**

(58) **Field of Search** D26/72-74, 81-87,
D26/92; 362/147, 432, 363, 367, 368

(56) **References Cited**

U.S. PATENT DOCUMENTS

- D72,714 S * 5/1927 Lipschutz D26/81
- D383,865 S * 9/1997 Heiberg et al. D26/67
- D429,018 S * 8/2000 De'Armond D26/72

OTHER PUBLICATIONS

Taiwan Lighting, May 1999, p. 221, item 216W/WT.*

Taiwan Lighting, May 2000, p. 71, item 401/1W.*

* cited by examiner

Primary Examiner—Alan P. Douglas

Assistant Examiner—Clare E Heflin

(74) *Attorney, Agent, or Firm*—Rosenberg, Klein & Lee

(57) **CLAIM**

The ornamental design for a wall lamp, as shown and described.

DESCRIPTION

FIG. 1 is a perspective view of wall lamp showing my new design;

FIG. 2 is a front elevation view thereof;

FIG. 3 is a rear elevation view thereof;

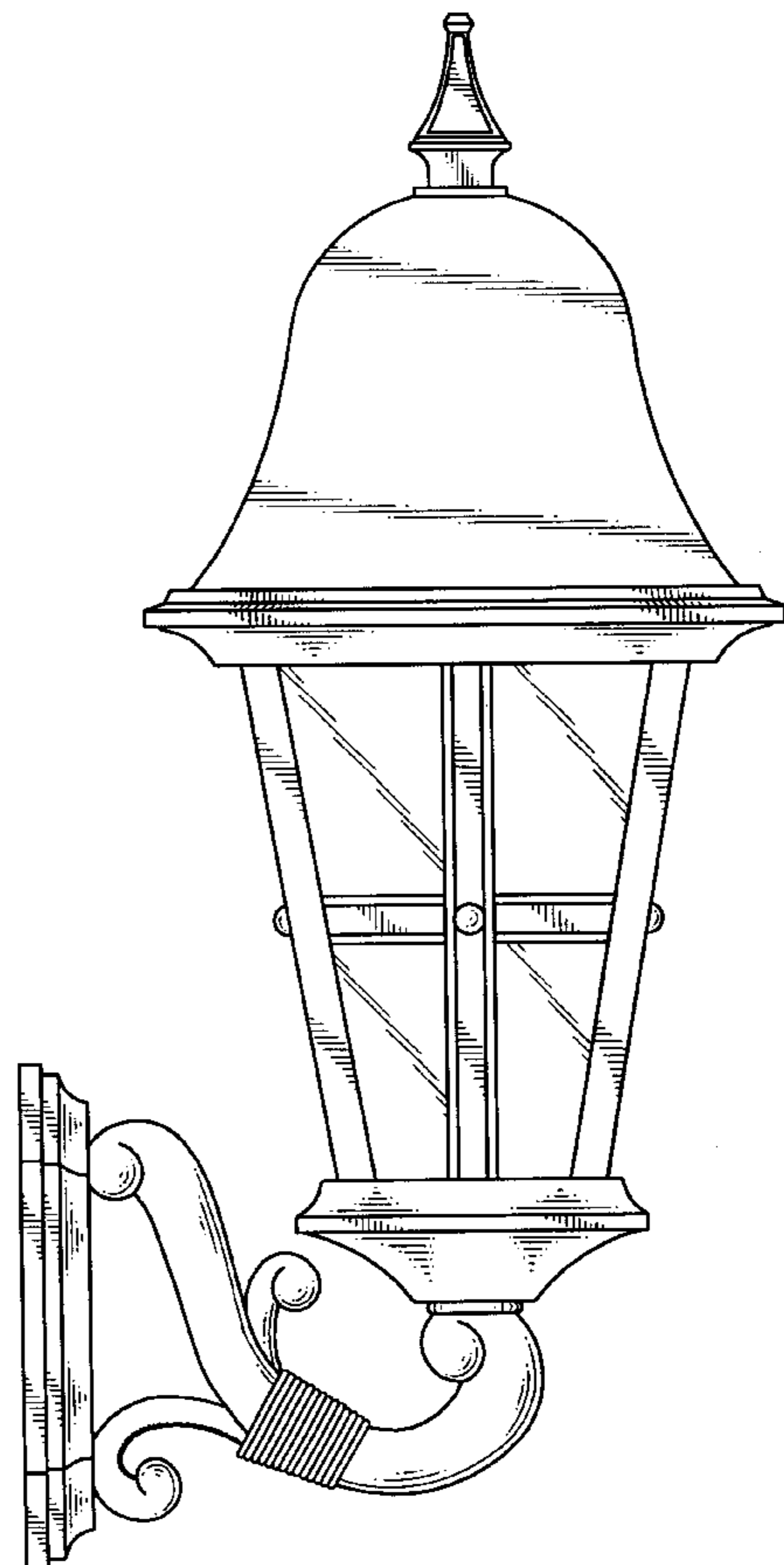
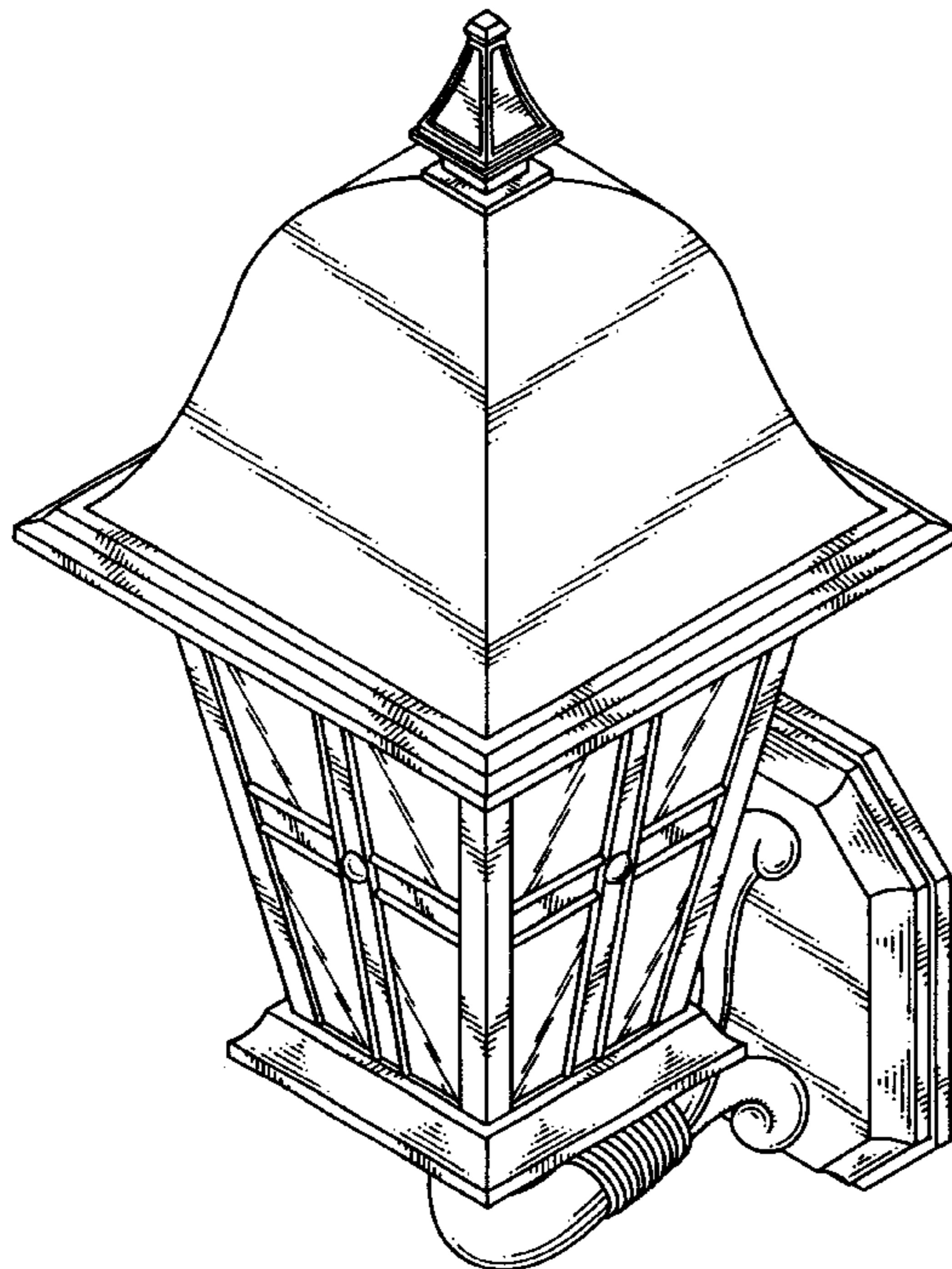
FIG. 4 is a left side elevation view thereof;

FIG. 5 is a right side elevation view thereof;

FIG. 6 is a top plan view thereof; and,

FIG. 7 is a bottom plan view thereof.

1 Claim, 6 Drawing Sheets



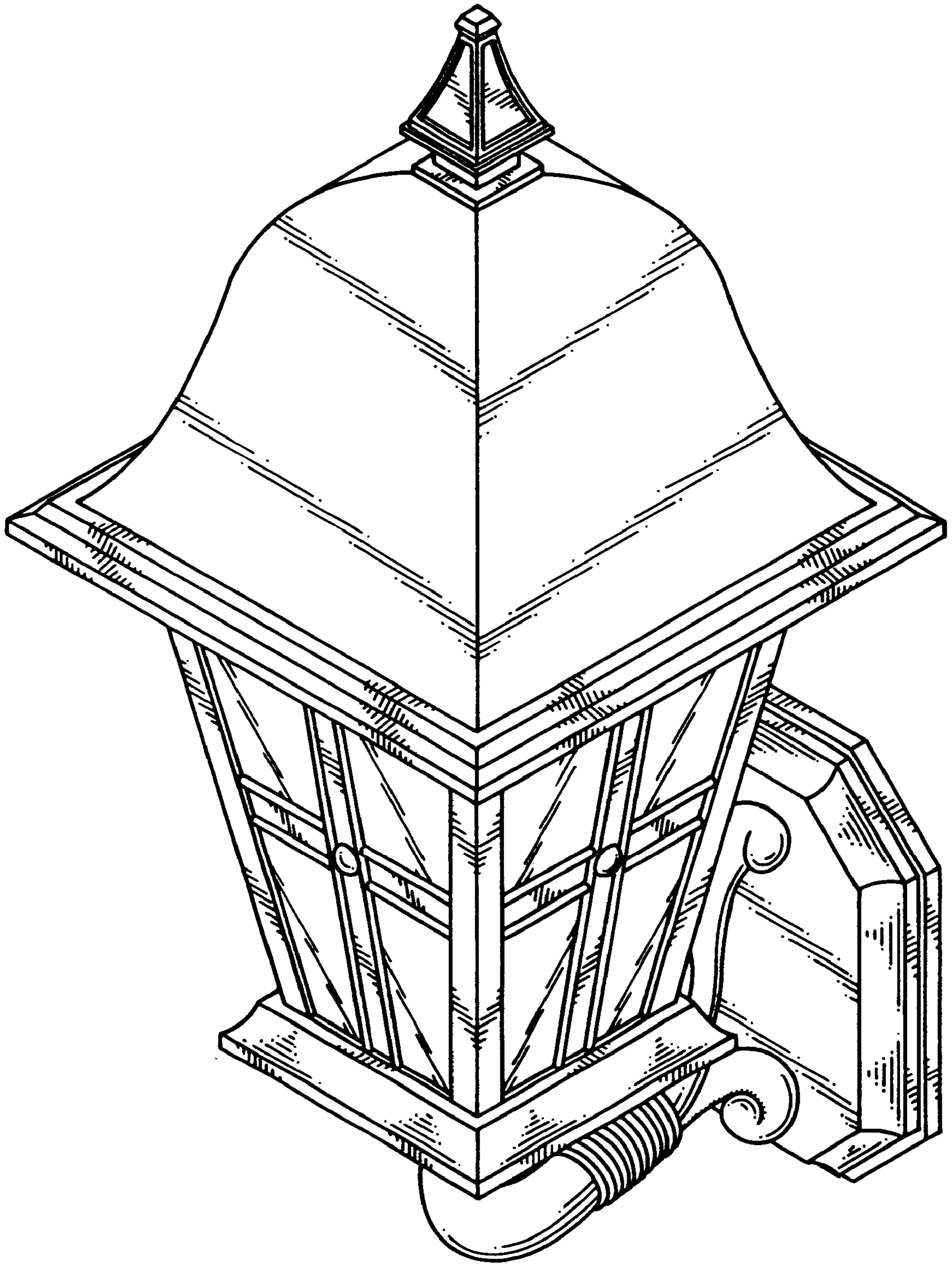


FIG. 1

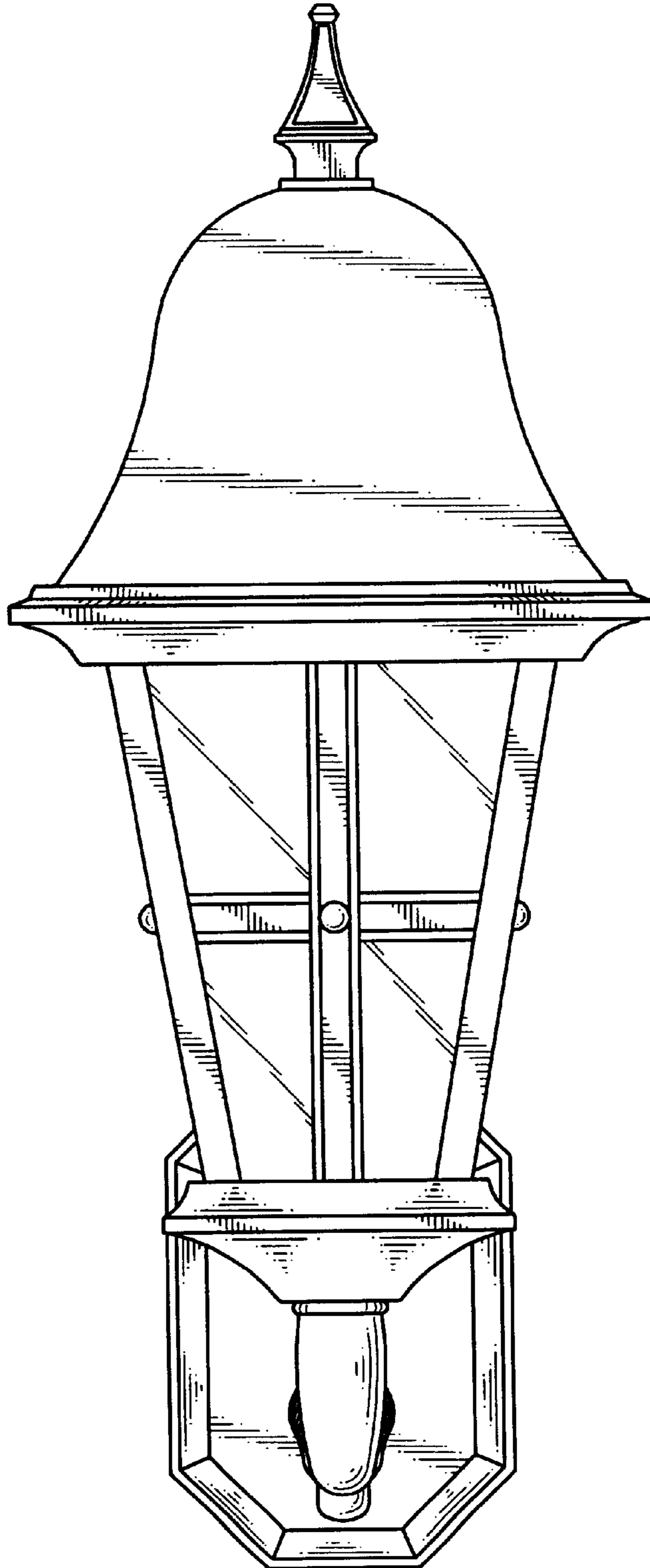


FIG. 2

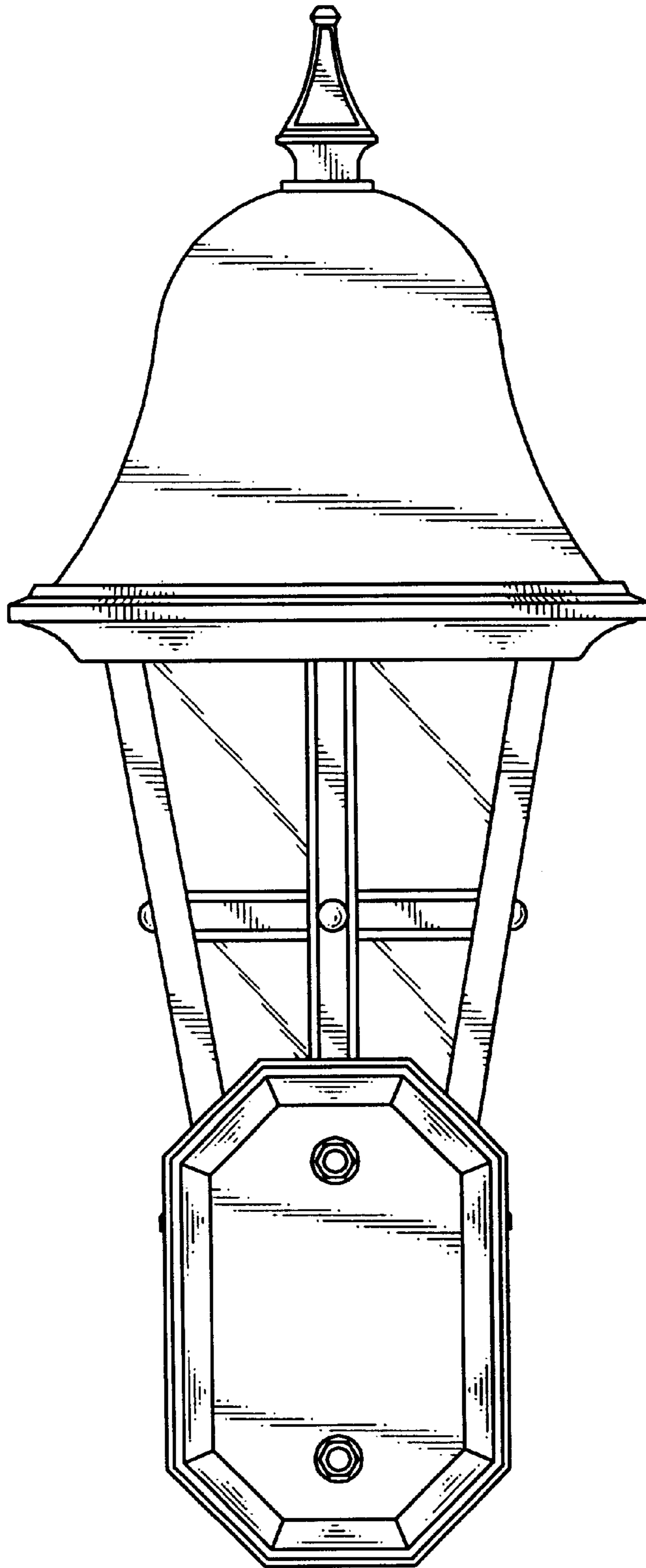


FIG. 3

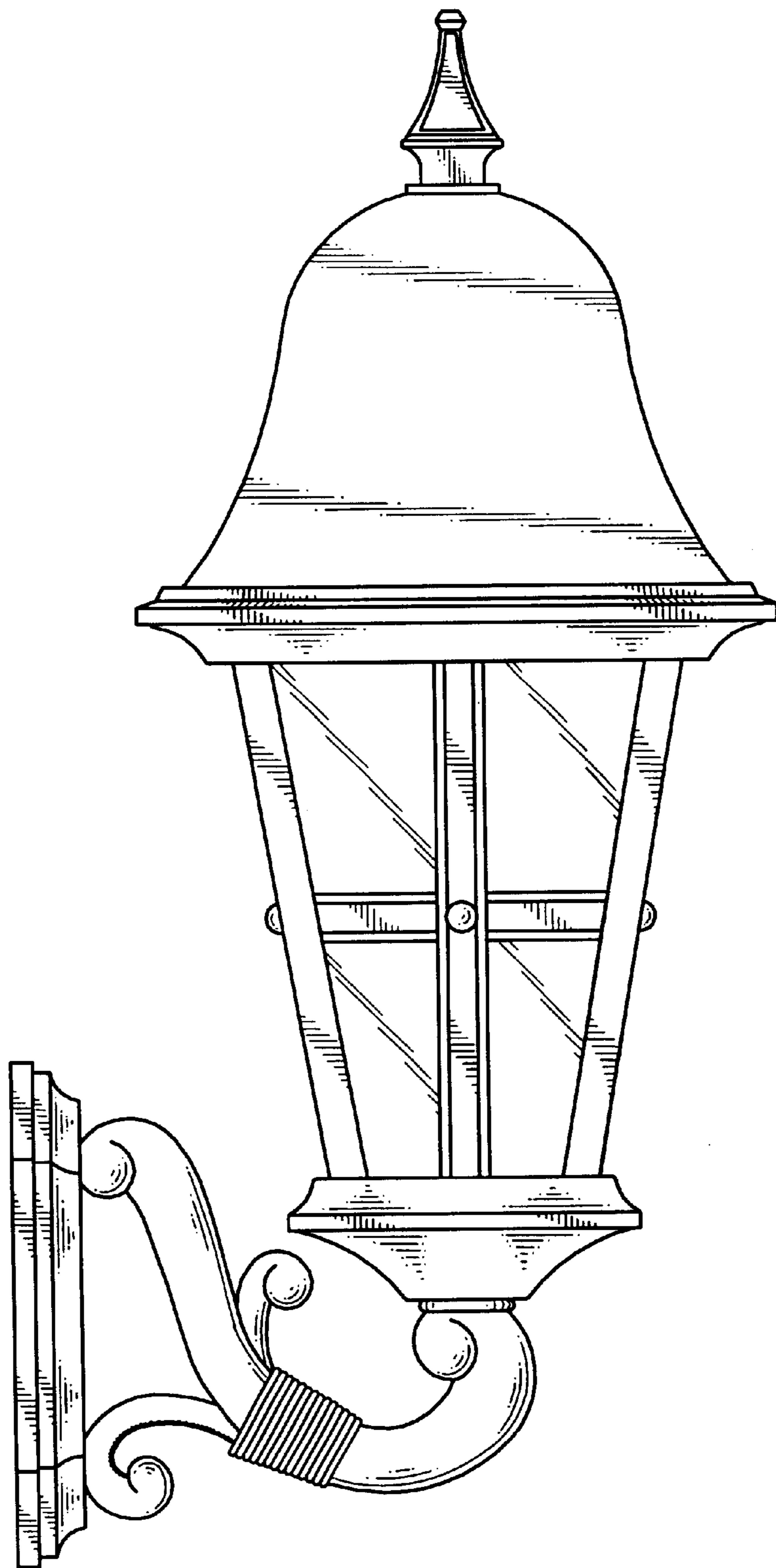


FIG. 4

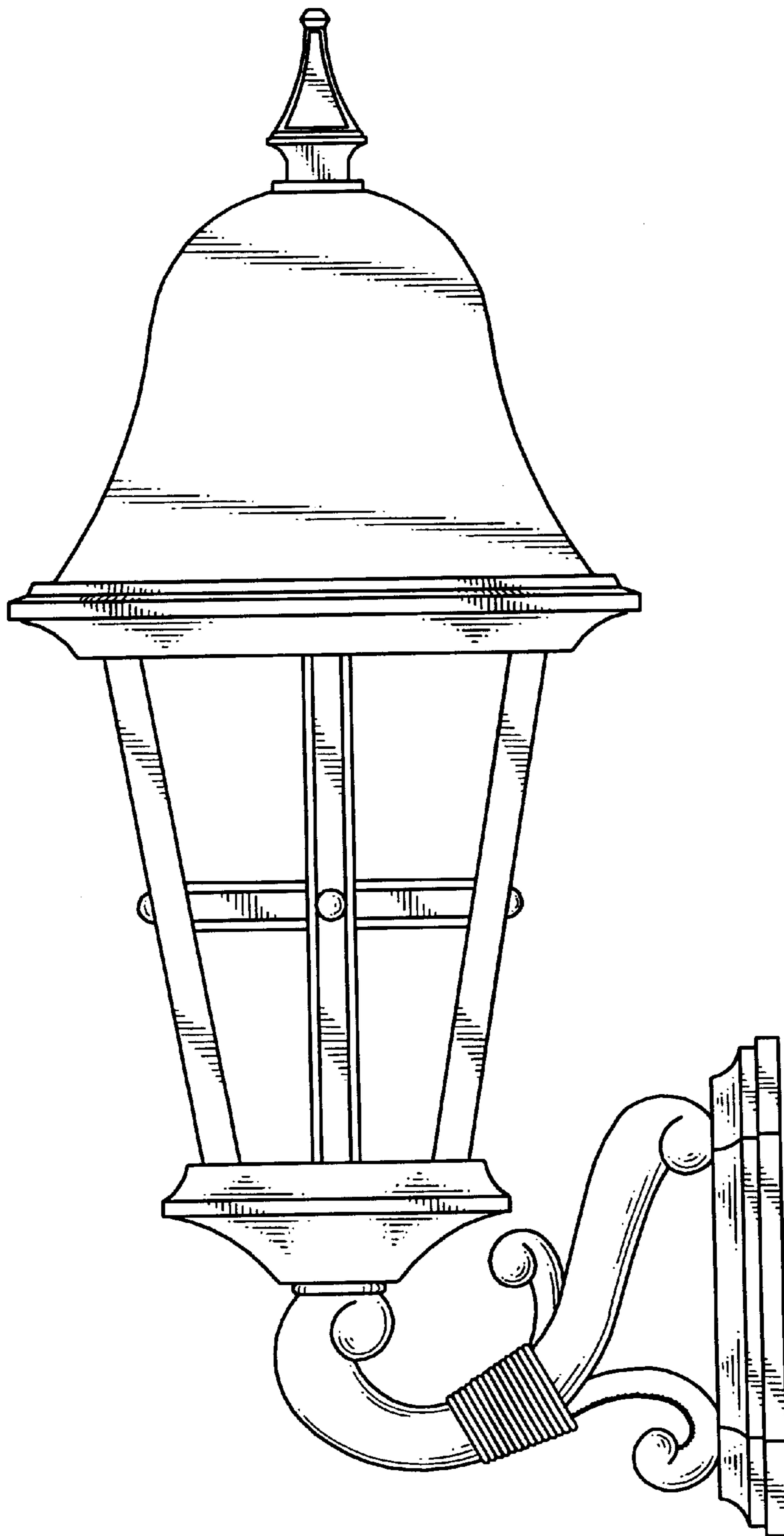


FIG. 5

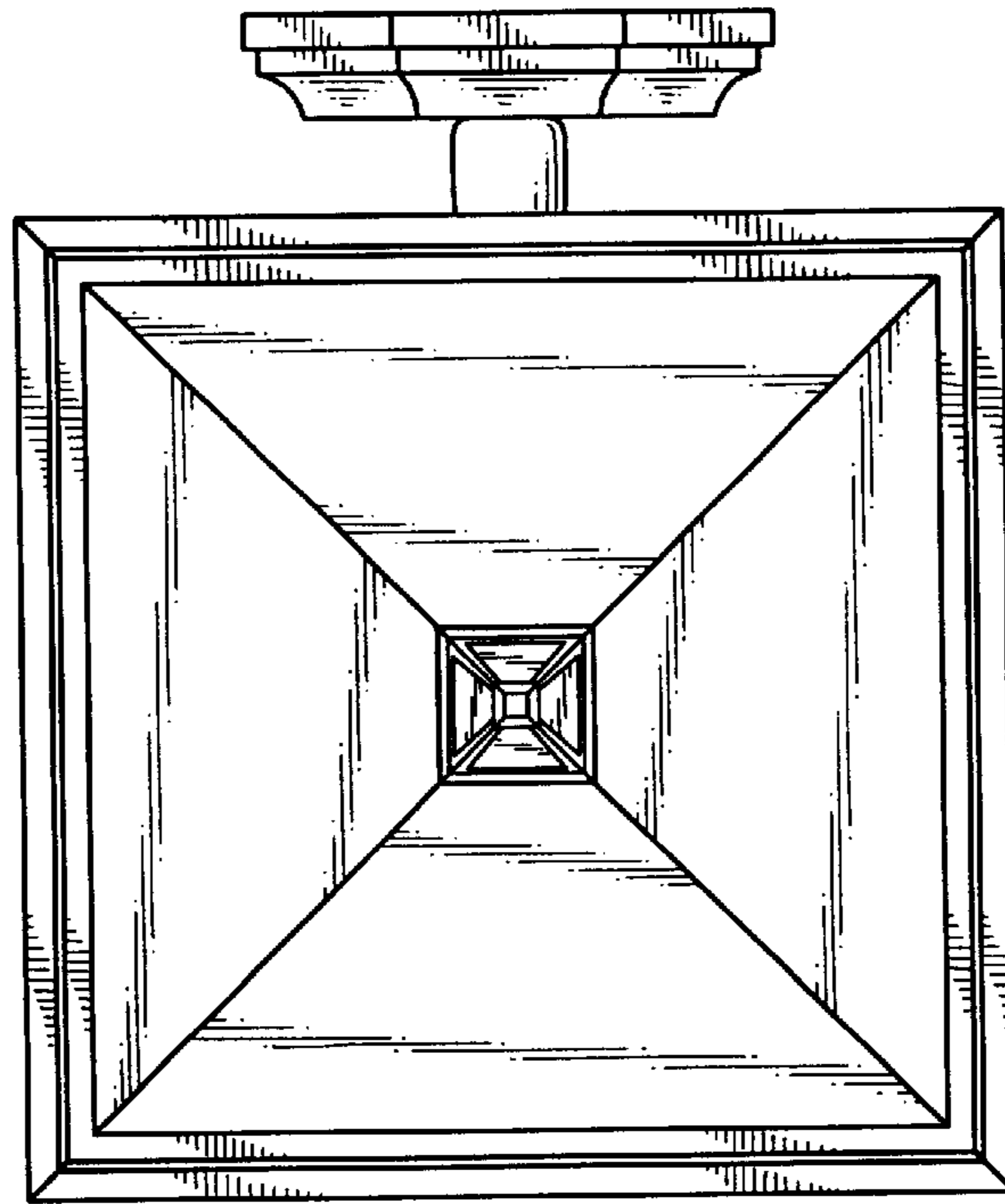


FIG. 6

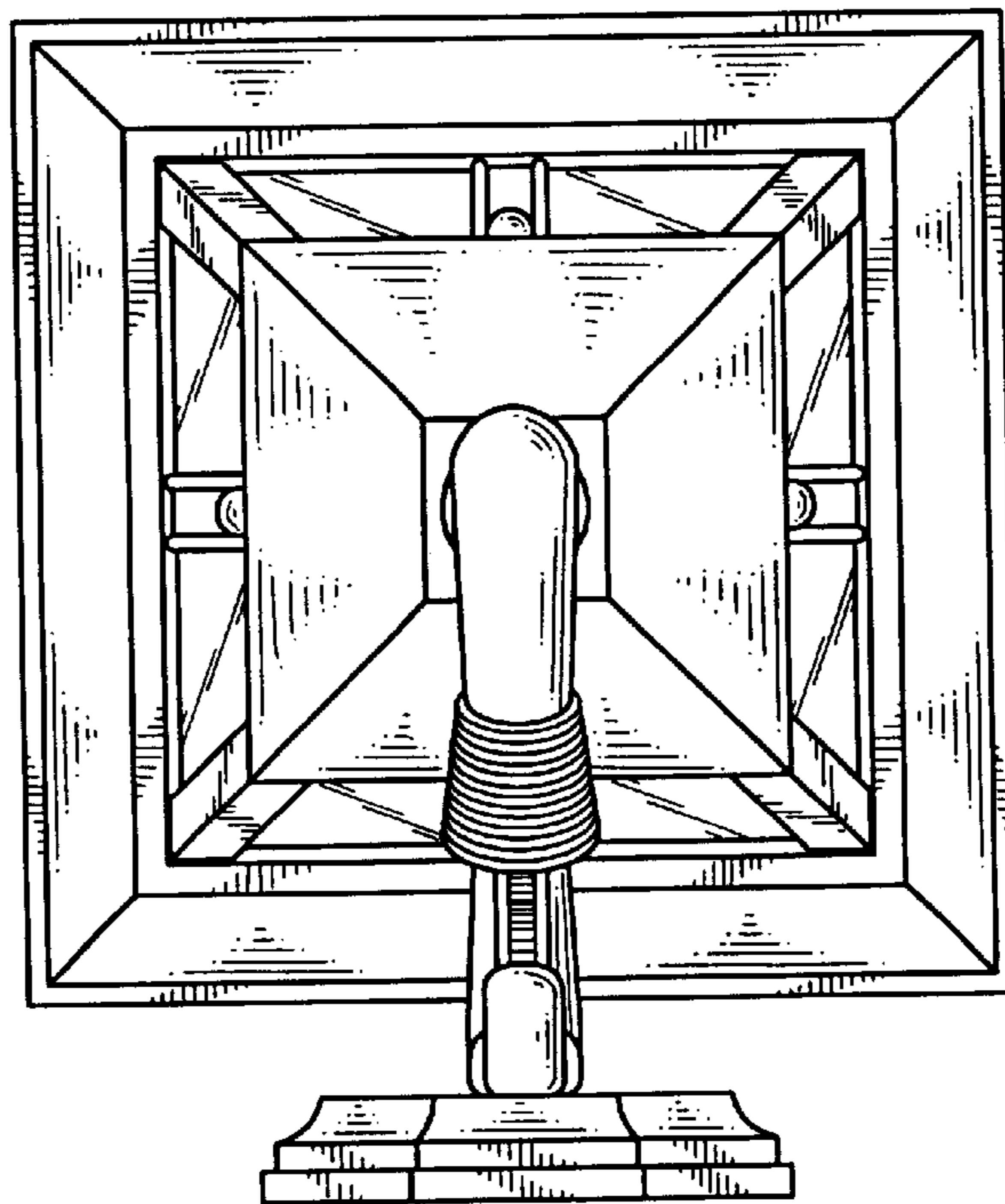


FIG. 7