



US00D458404S

(12) **United States Design Patent**
De'Armond

(10) **Patent No.:** **US D458,404 S**
(45) **Date of Patent:** **** Jun. 4, 2002**

(54) **COMBINED LAMP HOUSING AND SUPPORT ARM**

(75) Inventor: **Robert De'Armond**, Temecula, CA (US)

(73) Assignee: **Minka Lighting, Inc.**, Corona, CA (US)

(**) Term: **14 Years**

(21) Appl. No.: **29/139,303**

(22) Filed: **Mar. 27, 2001**

Related U.S. Application Data

(63) Continuation-in-part of application No. 29/112,531, filed on Oct. 18, 1999, now Pat. No. Des. 440,344.

(51) **LOC (7) Cl.** **26-03**

(52) **U.S. Cl.** **D26/87**

(58) **Field of Search** D26/72, 80-92,
D26/67, 68, 143, 145, 147, 153-155; 362/147,
432, 441, 153-155, 362, 363, 367, 404-408

(56) **References Cited**

U.S. PATENT DOCUMENTS

- 1,156,536 A * 10/1915 Lumley
- D53,475 S * 6/1919 Westphal
- D64,120 S * 3/1924 Lieftuchter
- D67,334 S * 5/1925 Bell
- D73,937 S 11/1927 Lindsay D26/87
- D316,158 S 4/1991 Choi D26/87
- D394,325 S 5/1998 Hsu D26/87
- D440,344 S * 4/2001 De'Armond D26/87

OTHER PUBLICATIONS

Minka Lighting, Inc.; *The Great Outdoors* by Minka-Lavery Two Thousand; Jun. 21, 2000; pp. 20-21; Minka Lighting, Inc.; U.S.A.

Home Lighting & Accessories, Savant lantern at top left of p. 68, Apr. 1997.

Taiwan Lighting, lamps on p. 164, Nov. 1996.
Minka Lighting, Inc.; *The Great Outdoors: Collection of Outdoor Lighting*, Minka Lavery; Jan. 29, 1999; pp. 10, 11, 36, 37; ML 99-2-ON; Minka Lighting, Inc.; U.S.A.
Minka Lighting, Inc.; *Minka Lavery: A Treasury of American Home Lighting*; Apr. 20, 1995; p. 174; ML 95-1; Minka Lighting, Inc.; U.S.A.
U.S. application No. 29/139,218, filed Mar. 27, 2001, De'Armond.
U.S. application No. 29/139,216, filed Mar. 27, 2001, De'Armond.
U.S. application No. 29/139,302, filed Mar. 27, 2001, De'Armond.

* cited by examiner

Primary Examiner—Alan P. Douglas

Assistant Examiner—Clare E. Heflin

(74) *Attorney, Agent, or Firm*—Jenkins & Gilchrist, P.C.

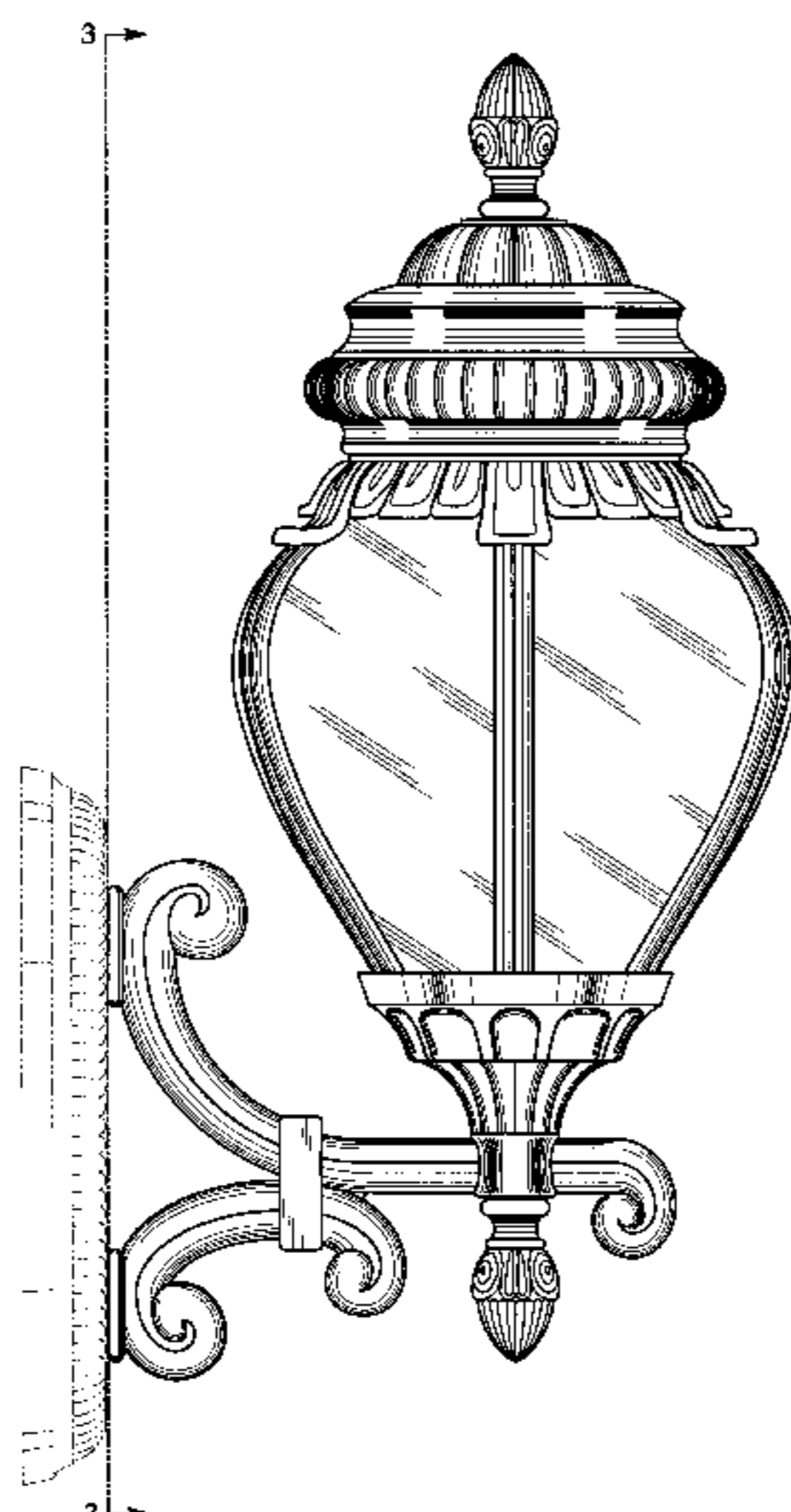
(57) **CLAIM**

The ornamental design for the combined lamp housing and support arm, as shown and described.

DESCRIPTION

FIG. 1 is a side elevation view of the combined lamp housing and support arm in accordance with my design; FIG. 2 is a front elevation view of the combined lamp housing and support arm in accordance with my design; FIG. 3 is a rear elevation view of the combined lamp housing and support arm taken along the line 3-3 in FIG. 1 in accordance with my design; FIG. 4 is a top plan view of the combined lamp housing and support arm in accordance with my design; and, FIG. 5 is a bottom plan view of the combined lamp housing and support arm in accordance with my design; The left and right elevational views are symmetrical. The light globe of the present invention is translucent. The broken lines illustrating the environment of the present invention are for illustrative purposes only and form no part of the claimed design.

1 Claim, 4 Drawing Sheets



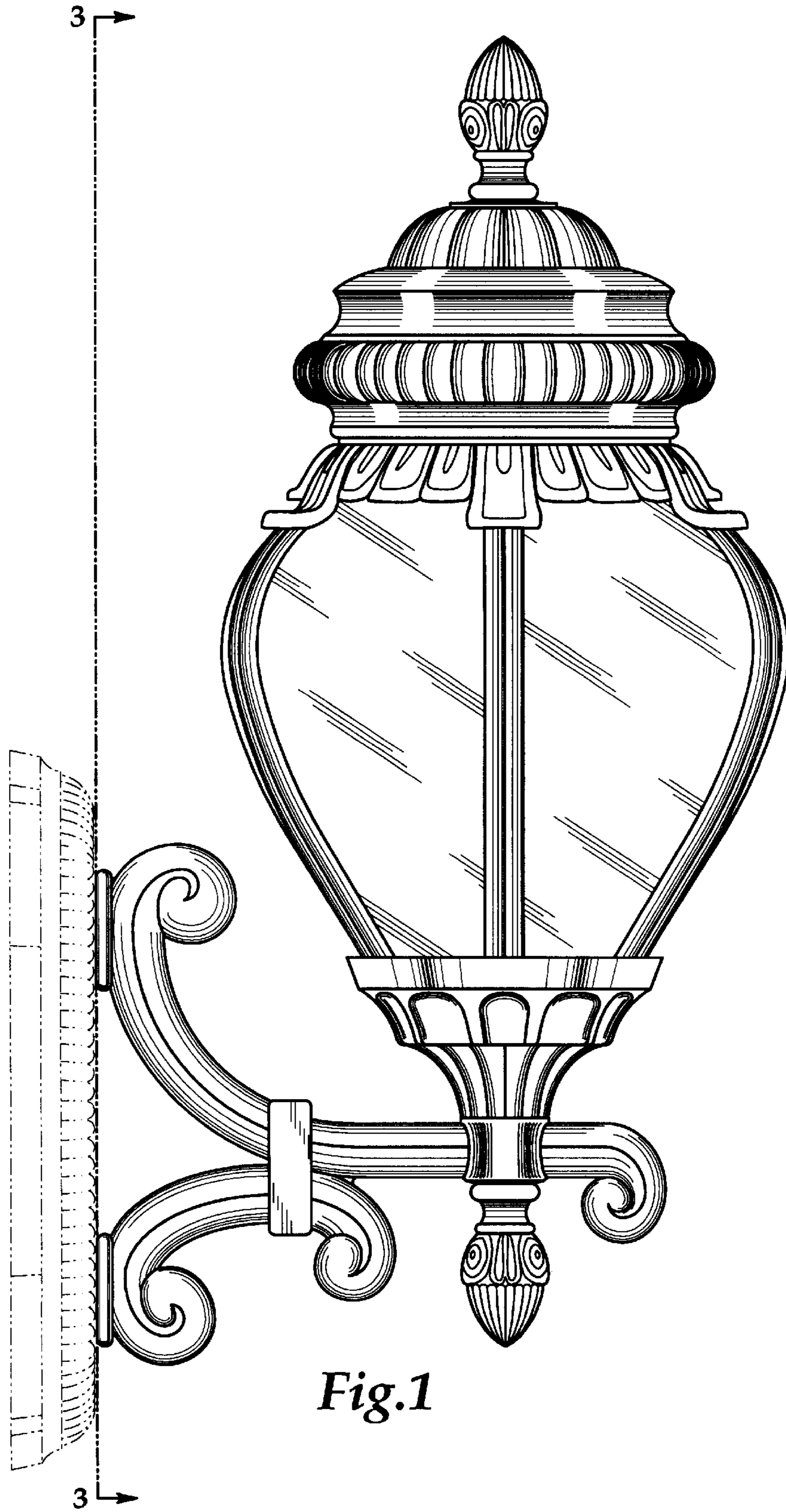


Fig.1

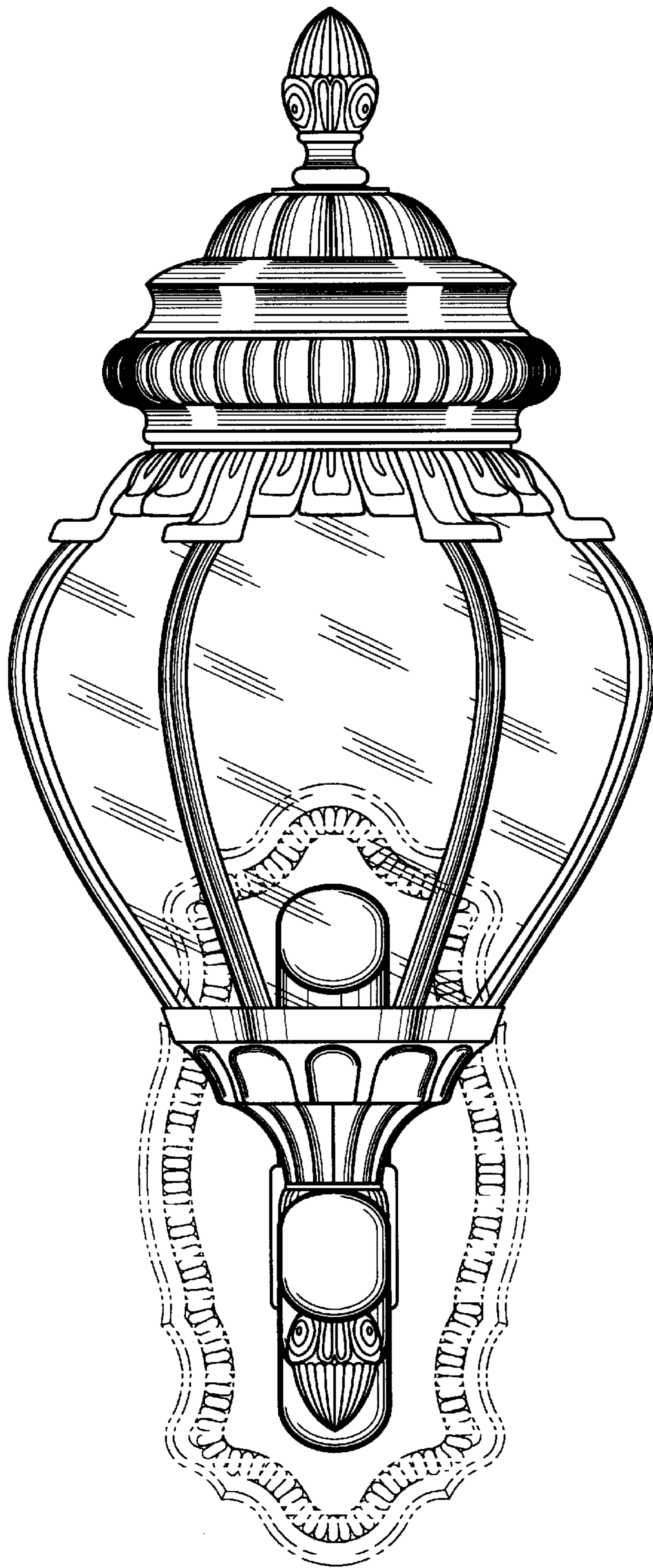


Fig. 2

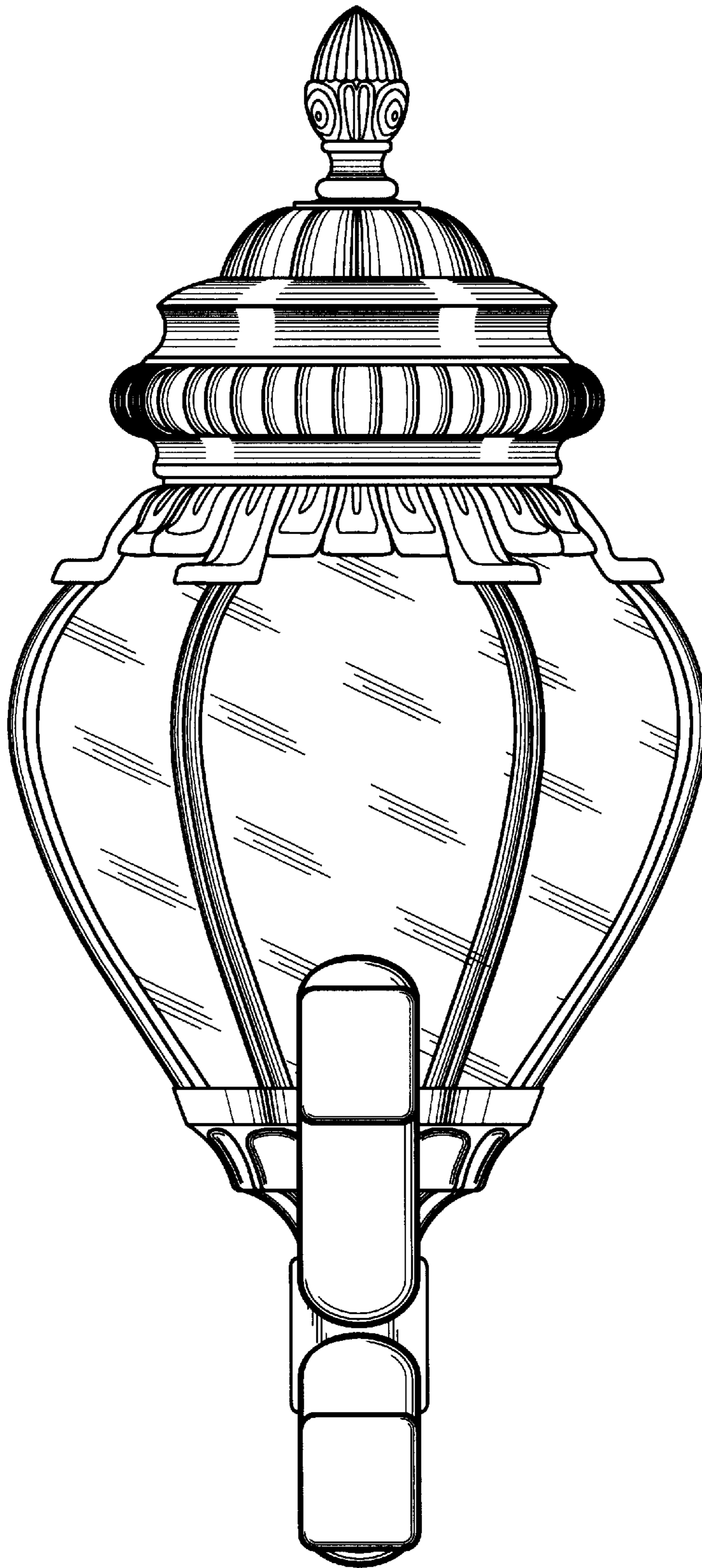


Fig.3

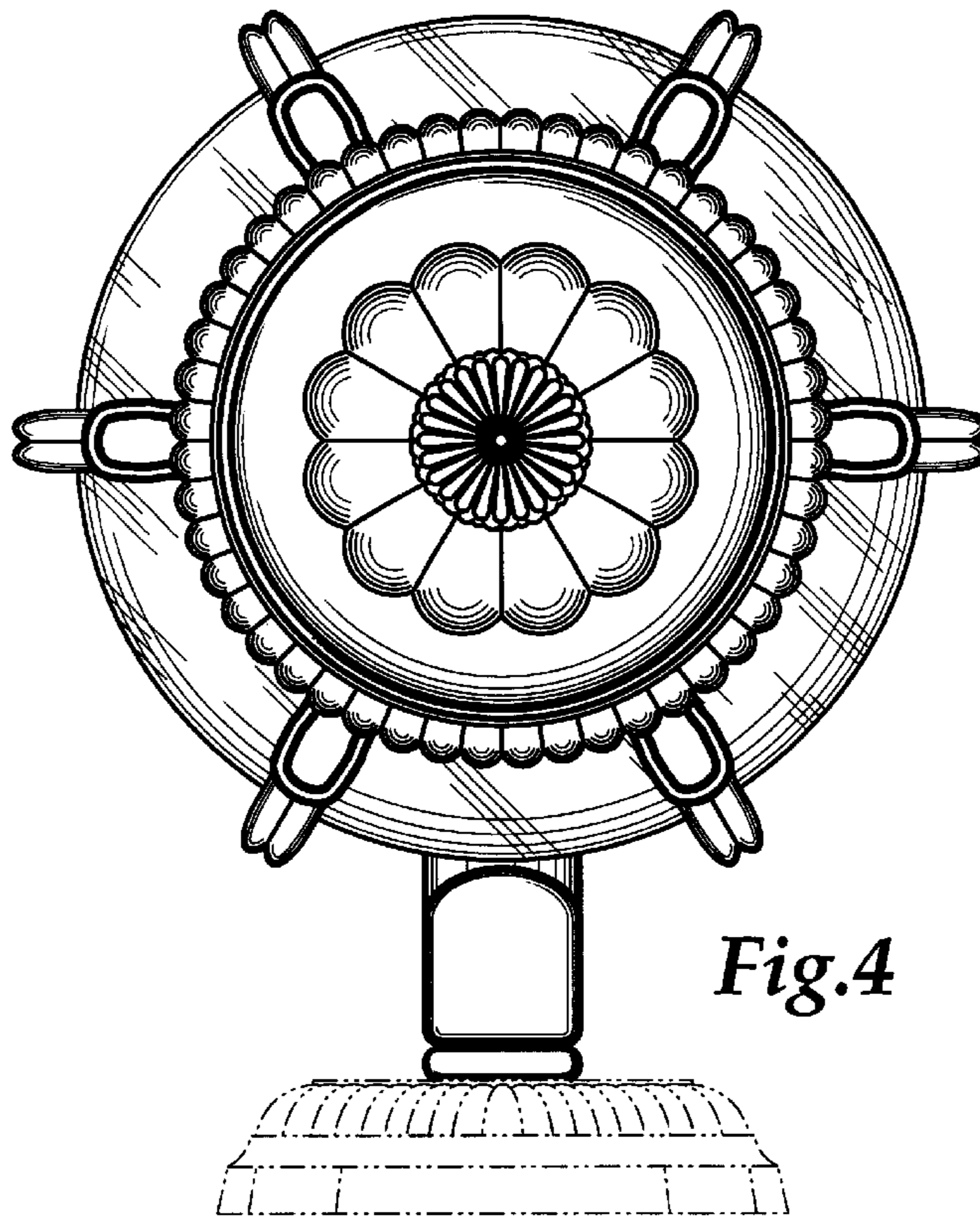


Fig.4

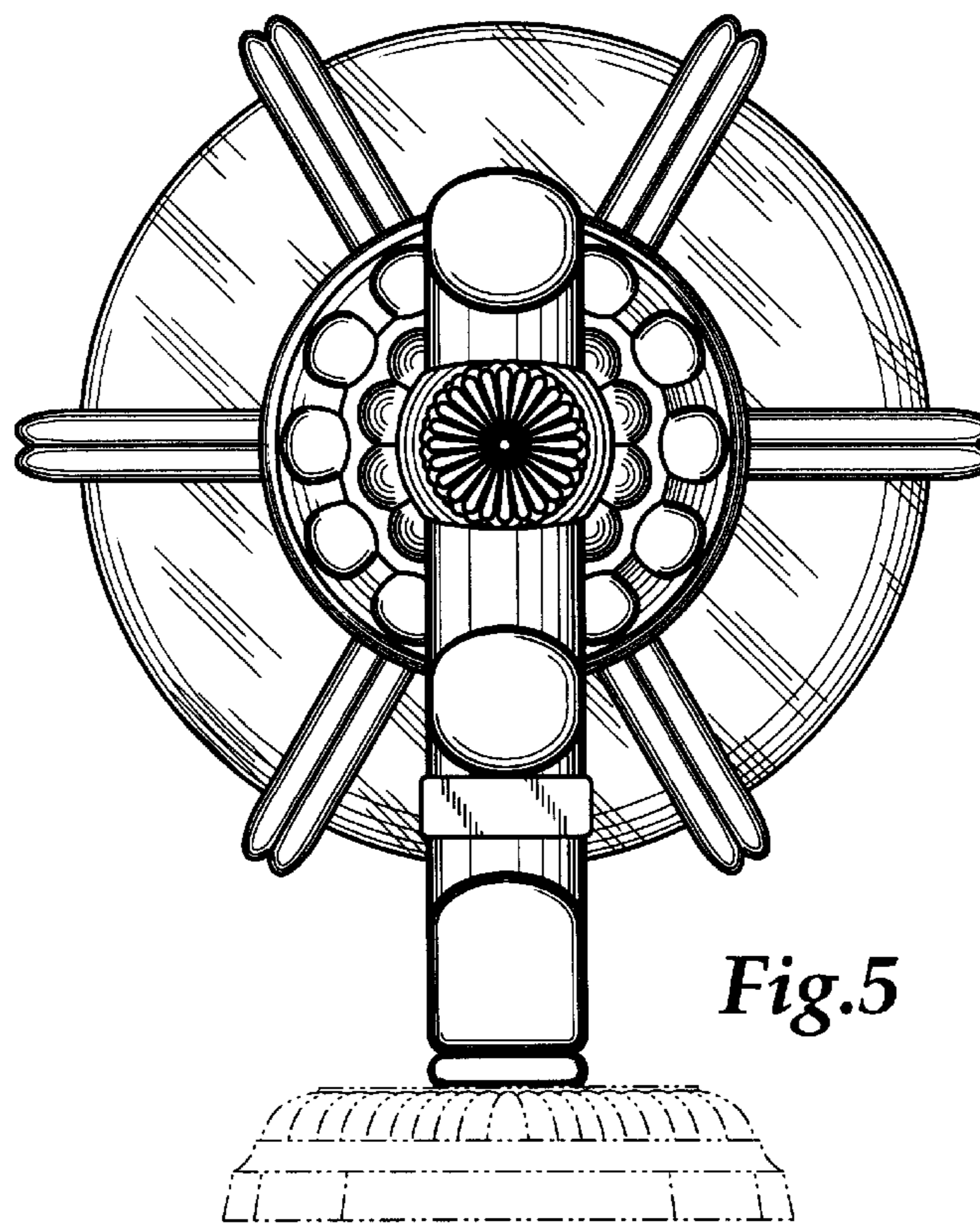


Fig.5

UNITED STATES PATENT AND TRADEMARK OFFICE
CERTIFICATE OF CORRECTION

PATENT NO. : Des. 458,404 S
APPLICATION NO. : 29/139303
DATED : June 4, 2002
INVENTOR(S) : Robert De'Armond

Page 1 of 1

It is certified that error appears in the above-identified patent and that said Letters Patent is hereby corrected as shown below:

On the cover page, item [75] please add the inventor, --Frederick Cohen--.

Signed and Sealed this

Eighteenth Day of September, 2007

A handwritten signature in black ink on a light gray dotted background. The signature reads "Jon W. Dudas" in a cursive style.

JON W. DUDAS

Director of the United States Patent and Trademark Office