



US00D458403S

(12) **United States Design Patent**  
**Landefeld et al.**

(10) **Patent No.:** **US D458,403 S**

(45) **Date of Patent:** **\*\* Jun. 4, 2002**

(54) **STEPLIGHT WITH COVER**

(75) Inventors: **Cory Landefeld**, Long Beach; **Andy McMillan**, Laguna Beach, both of CA (US)

(73) Assignee: **Architectural Area Lighting, Inc.**, La Mirada, CA (US)

(\*\*) Term: **14 Years**

(21) Appl. No.: **29/148,117**

(22) Filed: **Sep. 14, 2001**

(51) **LOC (7) Cl.** ..... **12-07**

(52) **U.S. Cl.** ..... **D26/67**

(58) **Field of Search** ..... D26/67, 68, 72,  
D26/74, 85; 362/147, 153, 153.1, 431,  
806

(56) **References Cited**

**U.S. PATENT DOCUMENTS**

- D401,370 S \* 11/1998 Fiorato ..... D26/67
- D421,316 S \* 2/2000 Fiorato ..... D26/67
- D452,028 S \* 12/2001 Lee ..... D26/67

\* cited by examiner

*Primary Examiner*—Marcus A. Jackson

(74) *Attorney, Agent, or Firm*—Milord Keshishzadah, Esq.;  
Milord & Associates

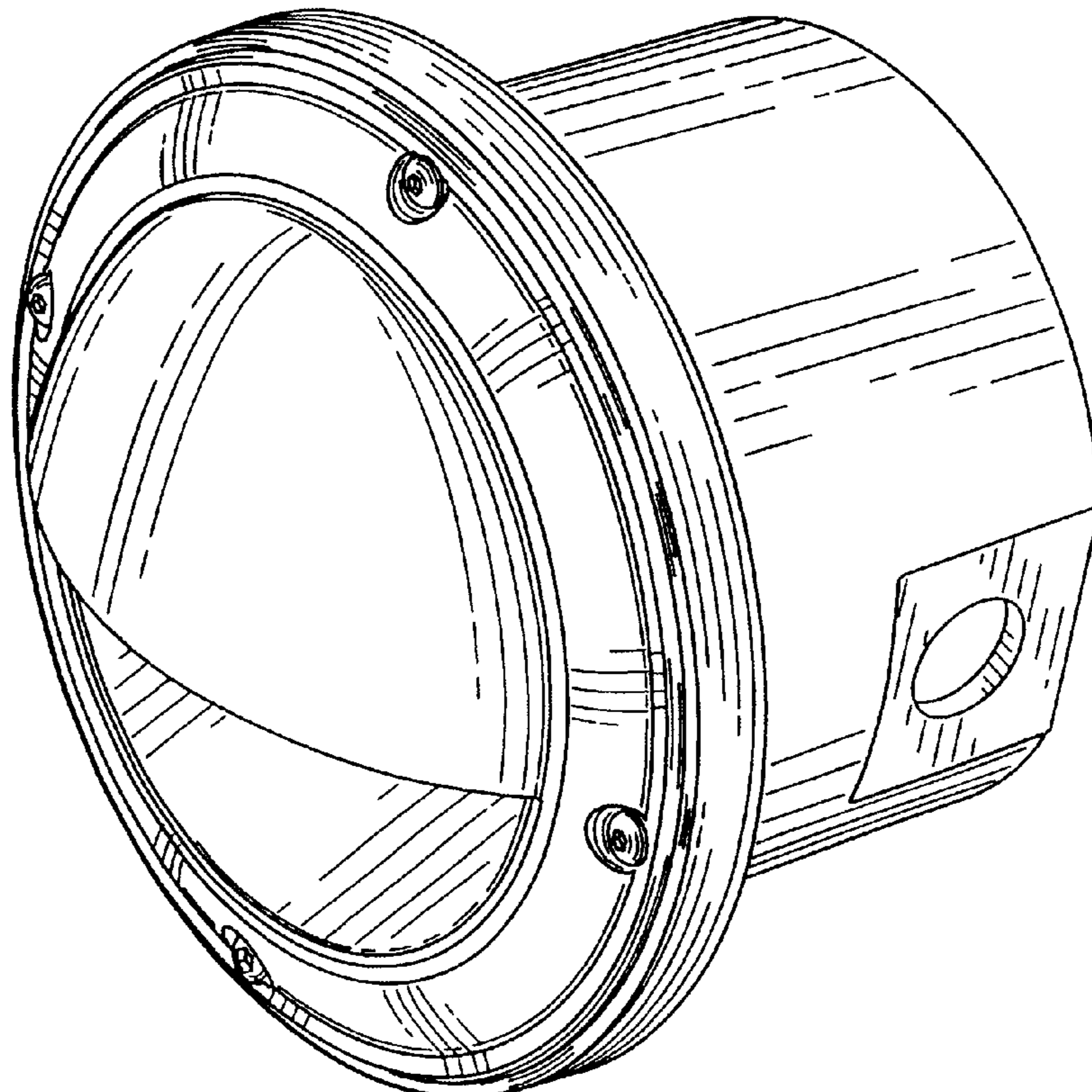
(57) **CLAIM**

The ornamental design for steplight with cover, as shown and described.

**DESCRIPTION**

FIG. 1 is a top plan view of a steplight with cover;  
 FIG. 2 is a right hand elevational view of the steplight with cover;  
 FIG. 3 is a left hand rear view of the steplight with cover;  
 FIG. 4 is a perspective view of the steplight with cover;  
 FIG. 5 is a bottom plan view of the steplight with cover;  
 FIG. 6 is a top plan view of the steplight with cover showing a second embodiment of the design, the sole difference being the square shape;  
 FIG. 7 is a right hand elevational view of the steplight with cover showing a second embodiment of the design, the sole difference being the square shape;  
 FIG. 8 is a rear elevational view of the steplight with cover showing a second embodiment of the design, the sole difference being the square shape;  
 FIG. 9 is a perspective view of the steplight with cover showing a second embodiment of the design, the sole difference being the square shape; and,  
 FIG. 10 is a bottom plan view of the steplight with cover showing a second embodiment of the design, the sole difference being the square shape.

**1 Claim, 6 Drawing Sheets**



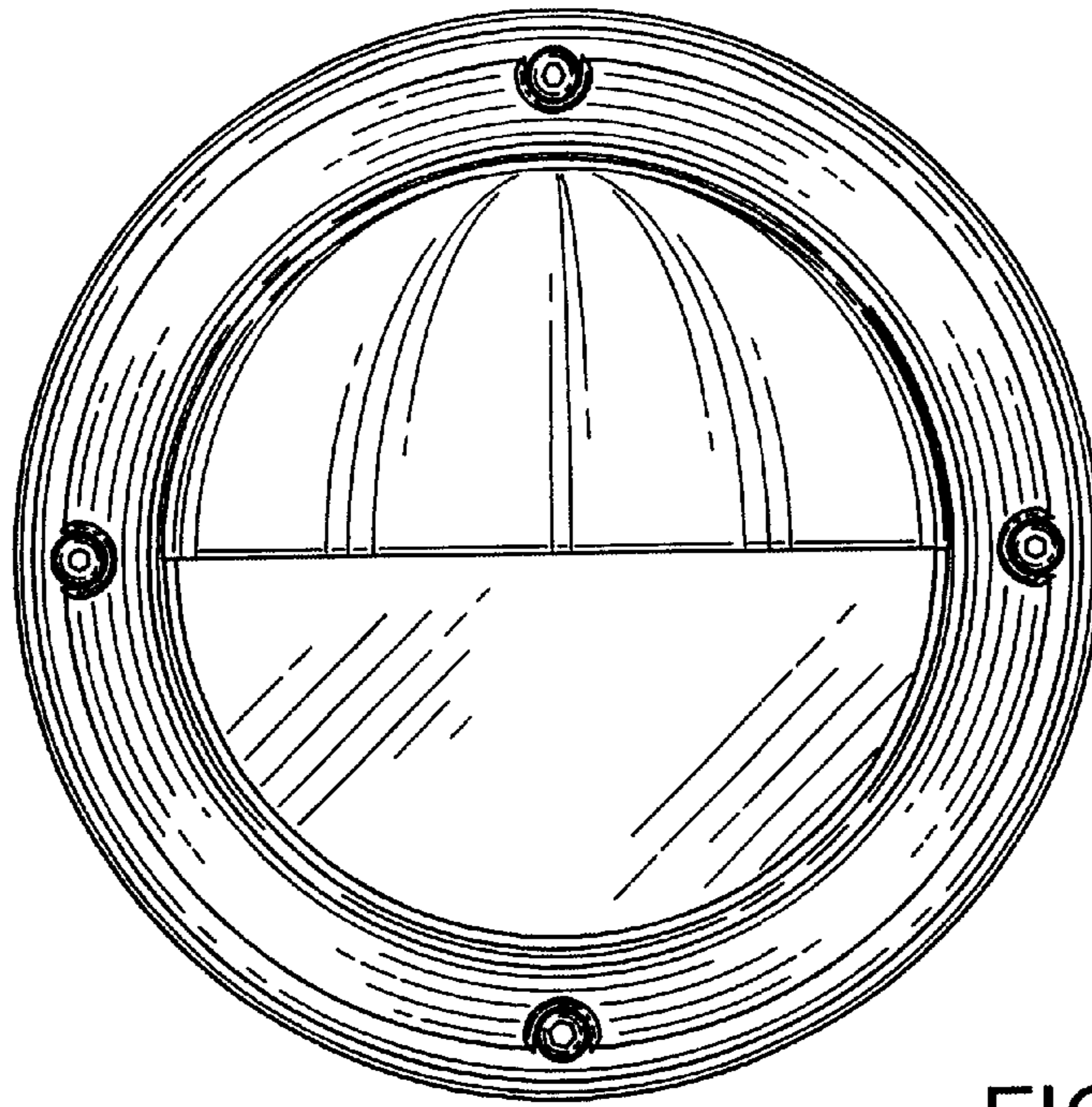


FIG. 1

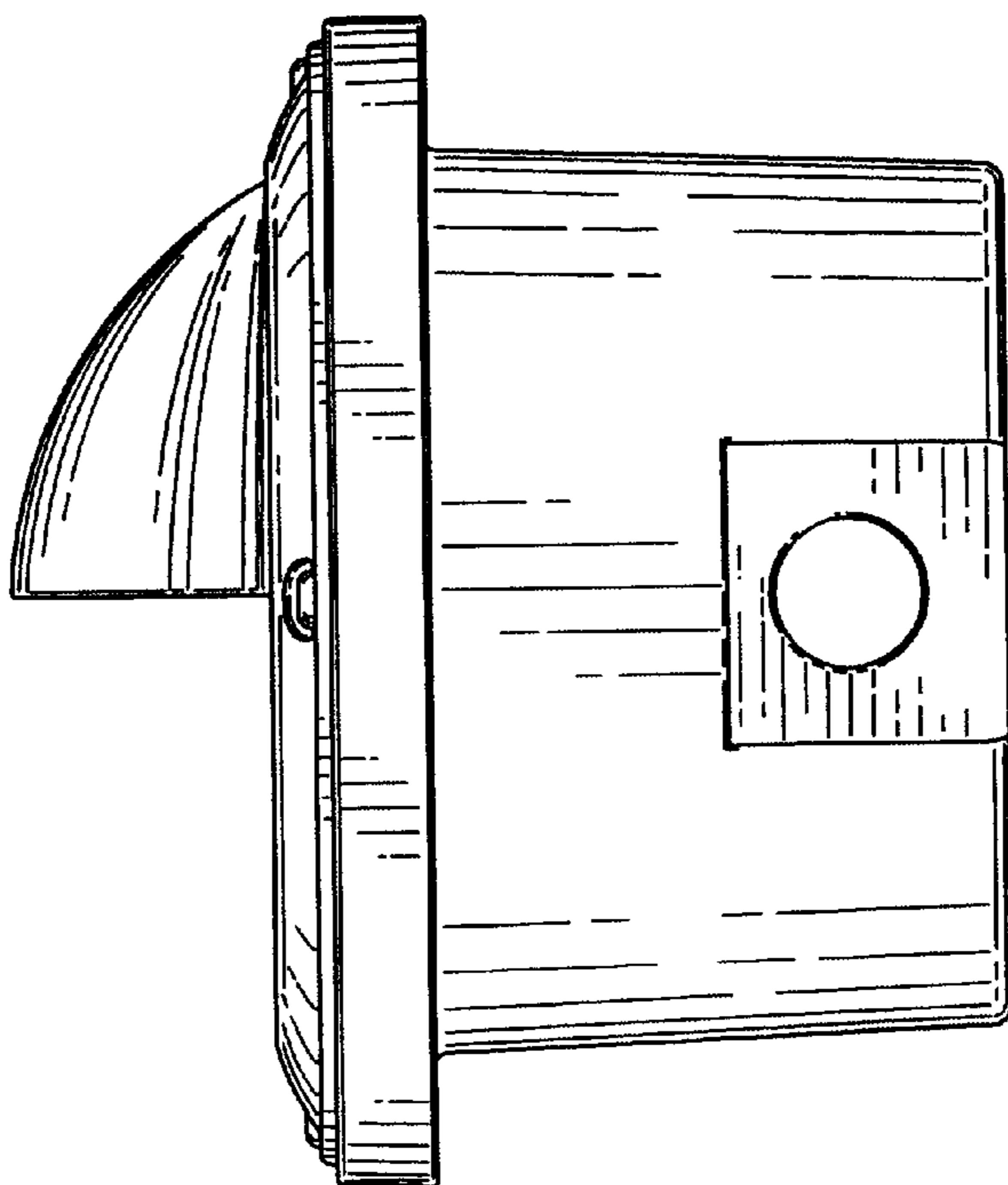


FIG. 2

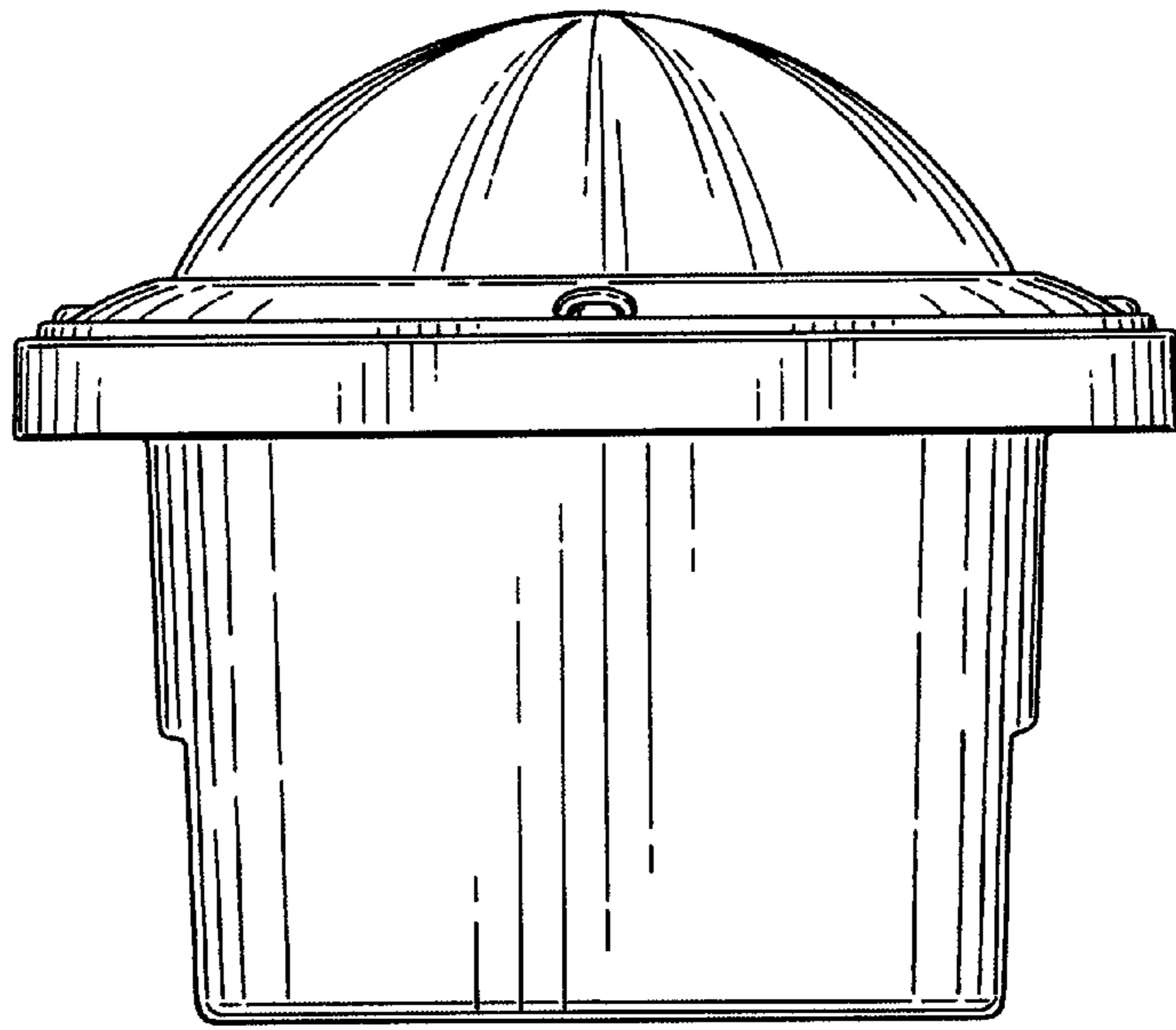


FIG. 3

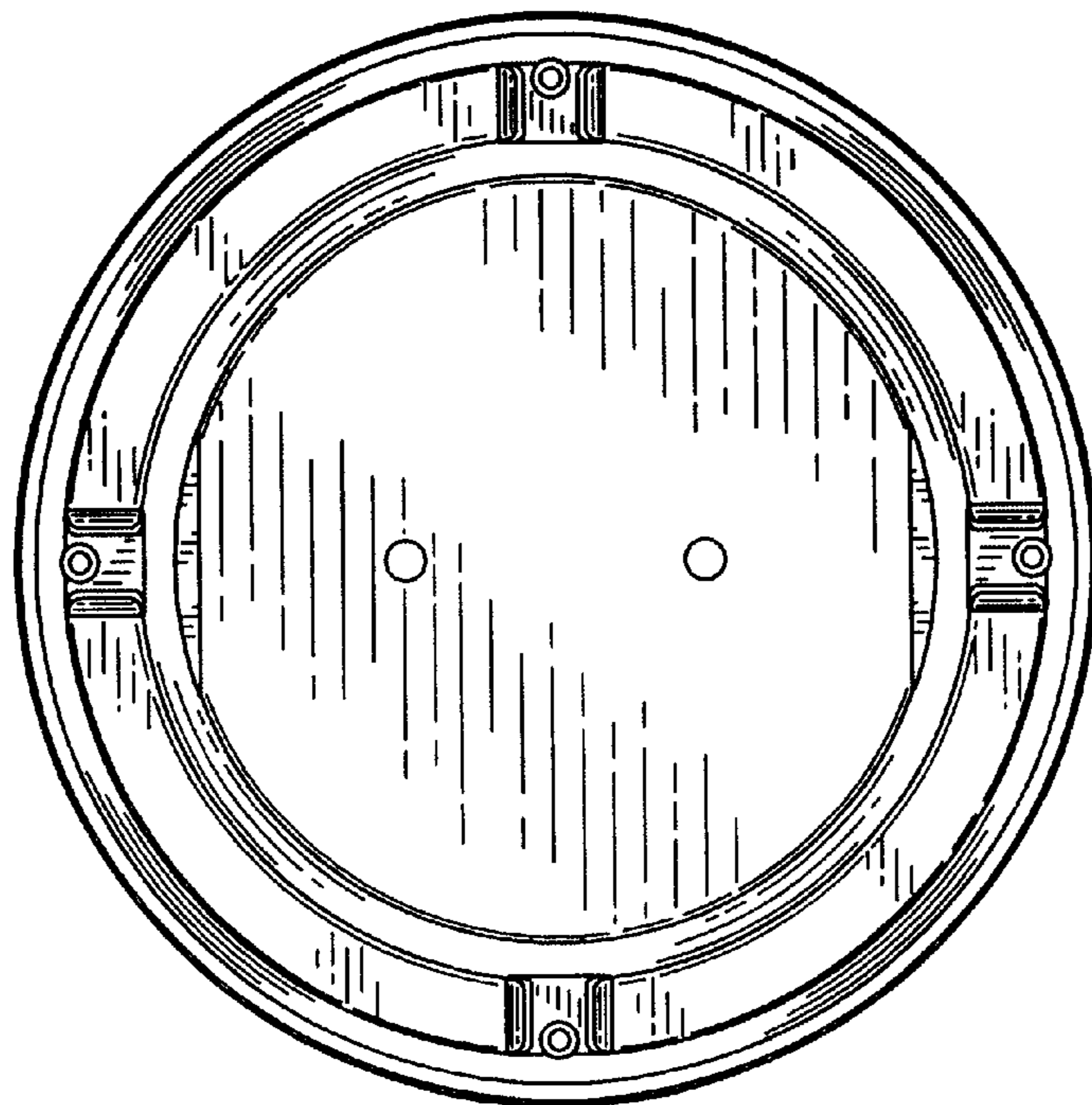


FIG. 5



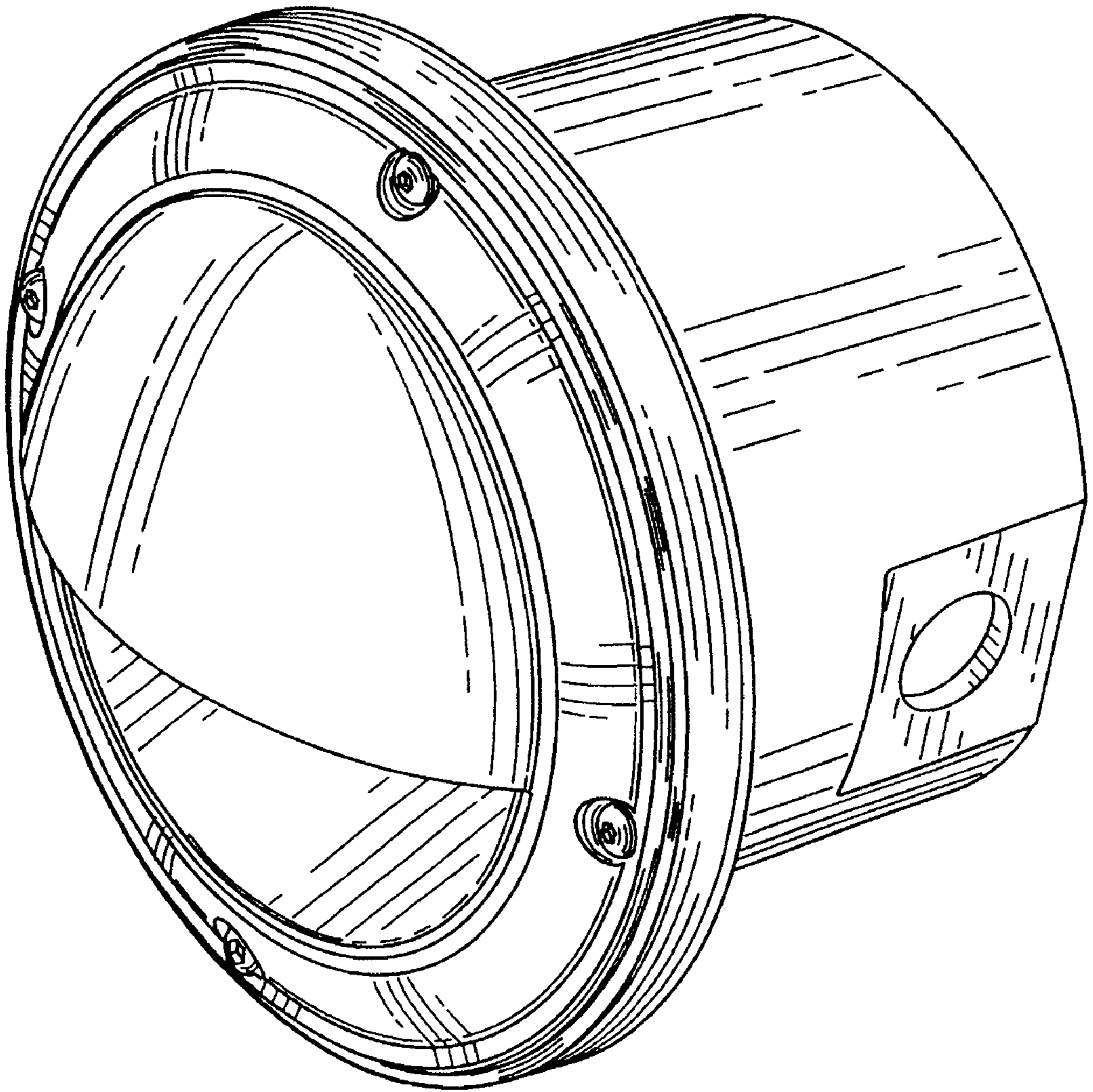


FIG. 4

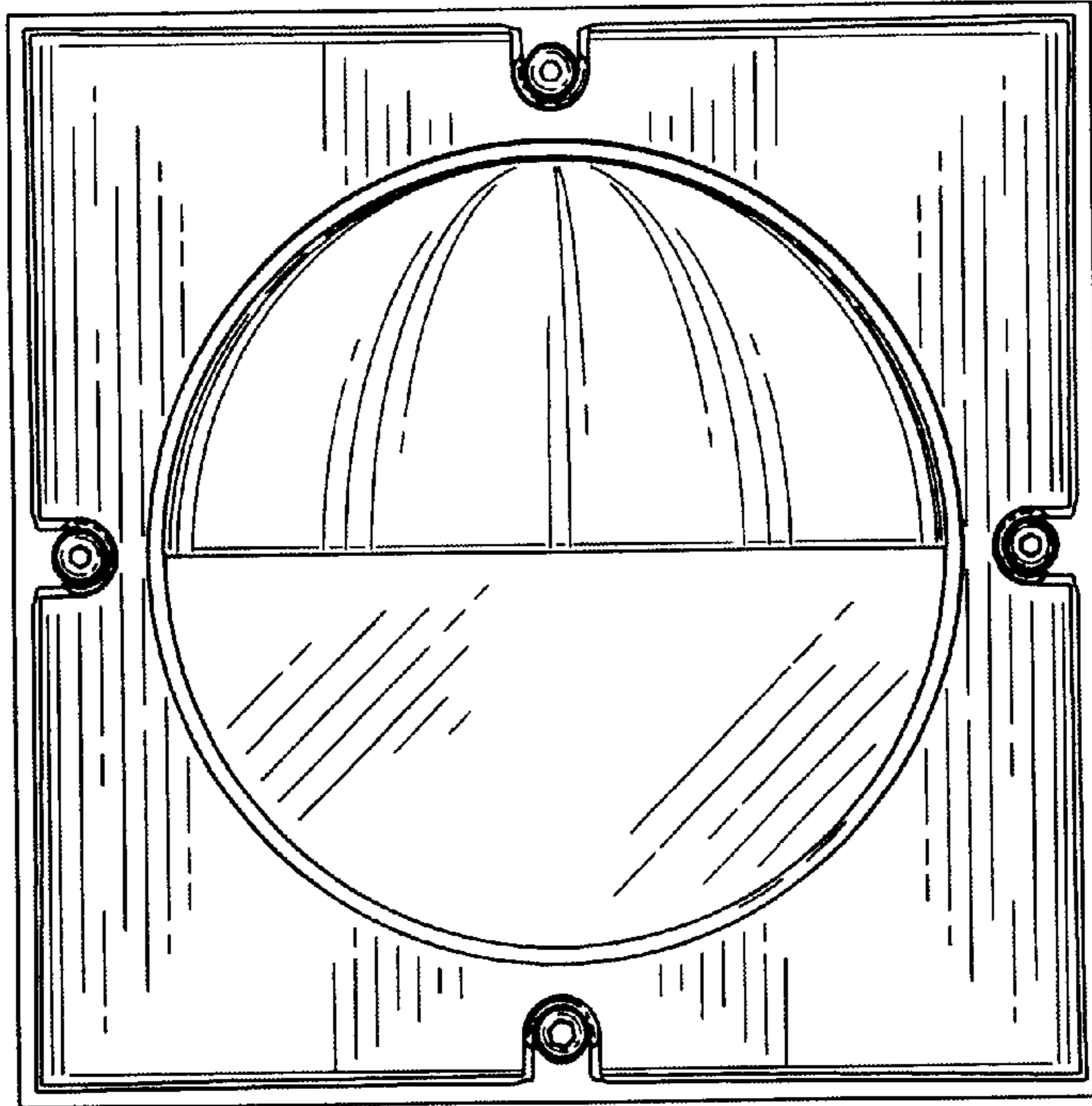


FIG. 6

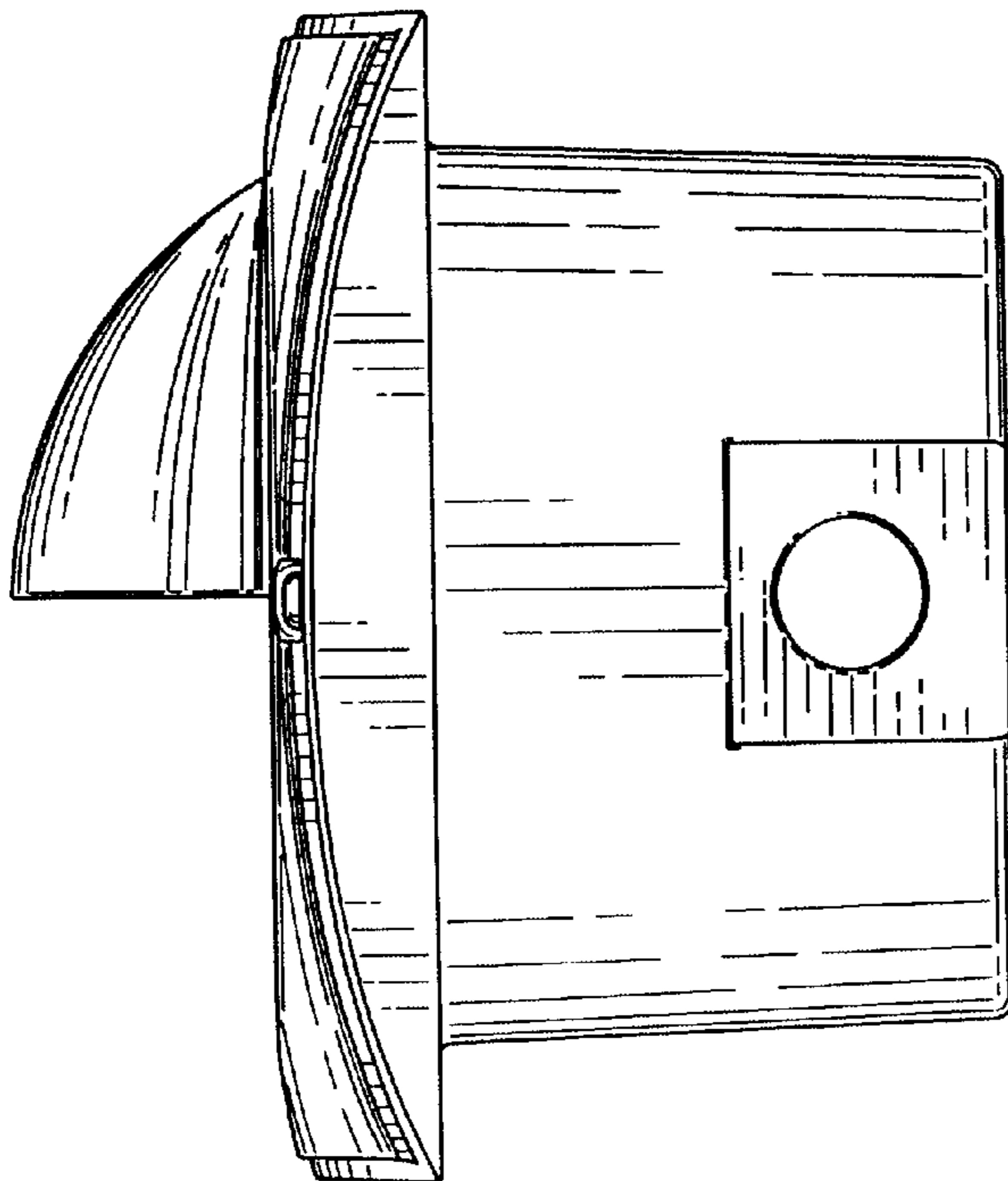


FIG. 7

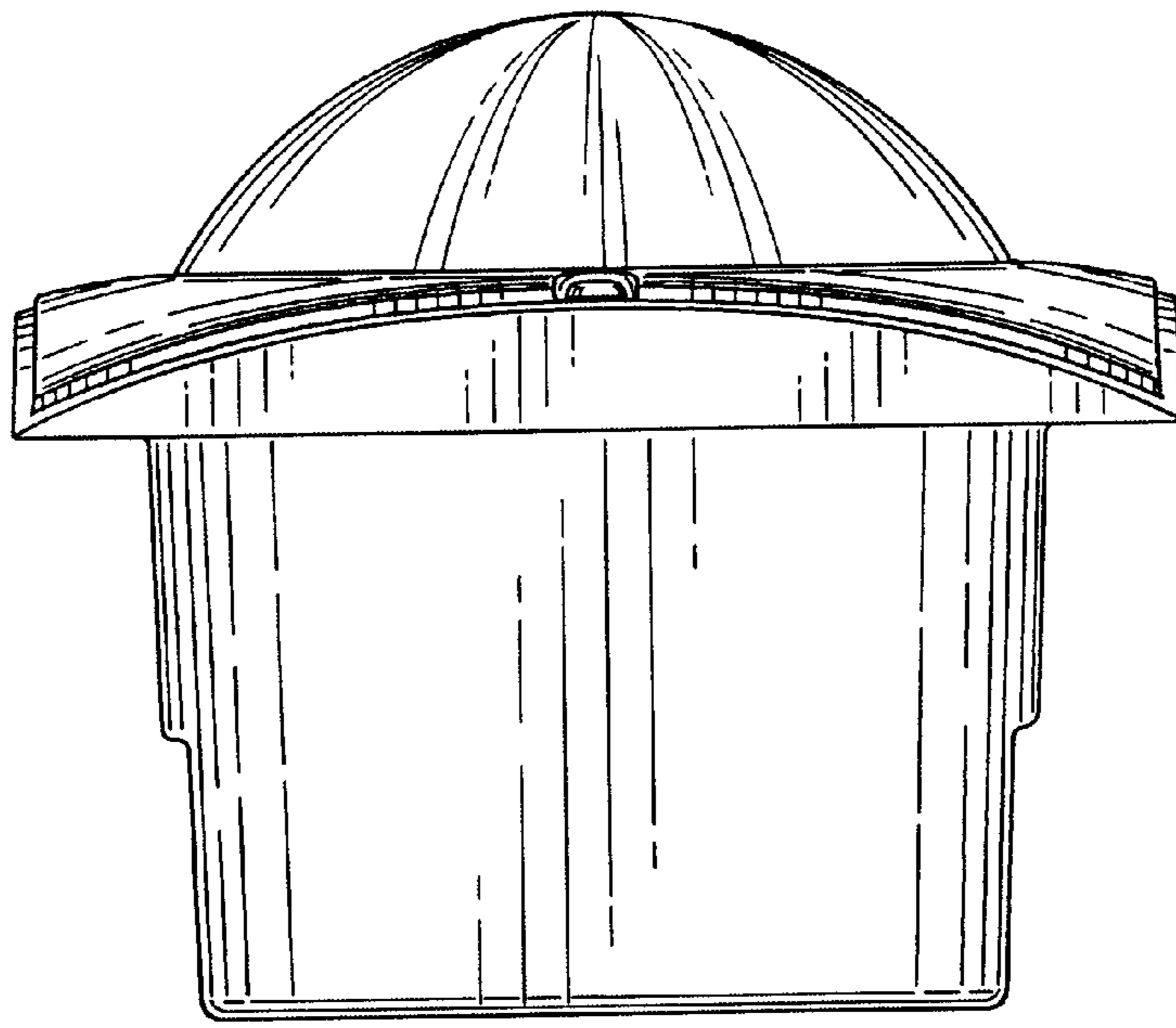


FIG. 8

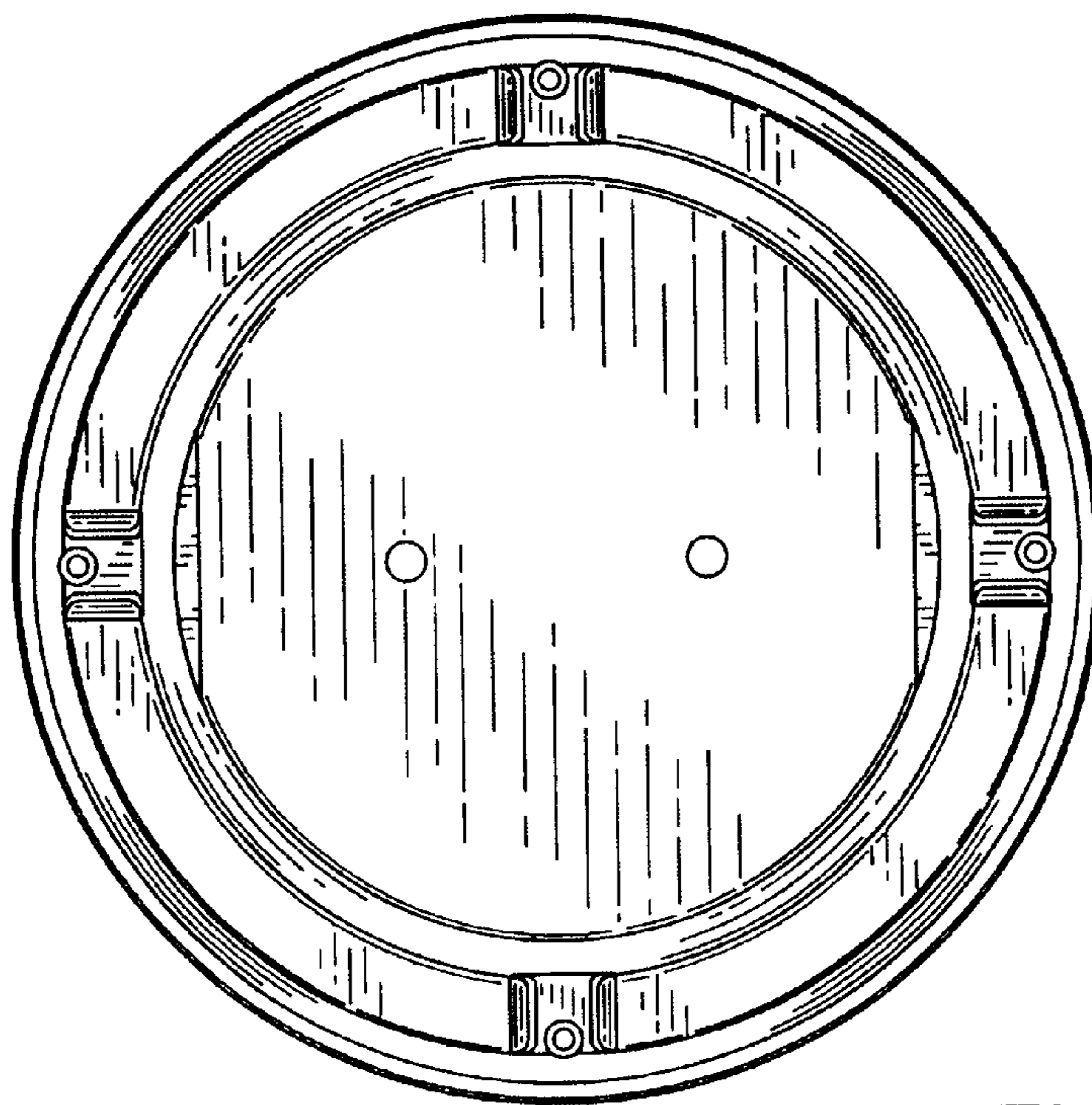


FIG. 10

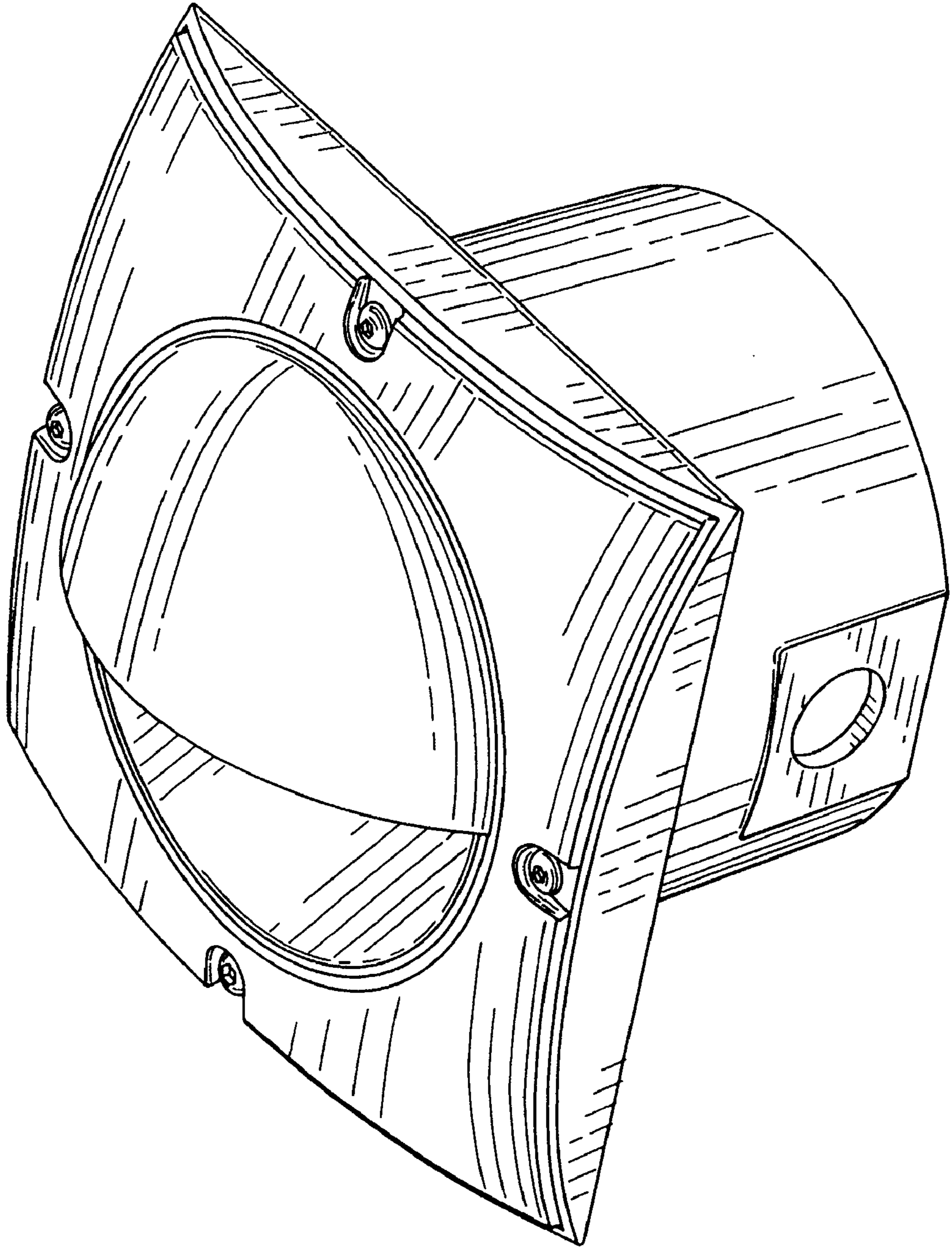


FIG. 9