



US00D458401S

(12) **United States Design Patent**
Diffrient

(10) **Patent No.:** **US D458,401 S**

(45) **Date of Patent:** **** Jun. 4, 2002**

(54) **PARALLEL ARM LAMP**

(75) Inventor: **Niels Diffrient**, Ridgefield, CT (US)

(73) Assignee: **Soft/View Computer Products Corp.**,
New York, NY (US)

(**) Term: **14 Years**

(21) Appl. No.: **29/141,174**

(22) Filed: **May 1, 2001**

(51) **LOC (7) Cl.** **26-05**

(52) **U.S. Cl.** **D26/60**

(58) **Field of Search** D26/51, 60, 63,
D26/65; 362/269, 396, 410, 413, 418, 419,
427

(56) **References Cited**

U.S. PATENT DOCUMENTS

D319,889 S	*	9/1991	Zu	D26/51
D378,859 S	*	4/1997	Yumita et al.	D26/65
D385,052 S	*	10/1997	Huang	D26/60

* cited by examiner

Primary Examiner—Marcus A. Jackson

(74) *Attorney, Agent, or Firm*—Coudert Brothers LLP

(57) **CLAIM**

The ornamental design for a parallel arm lamp, as shown and described.

DESCRIPTION

FIG. 1 is an elevation view of a parallel arm lamp showing my new design, with the broken lines showing for illustrative purposes only and forming no part of the claimed design;

FIG. 2 is a rear view of a parallel arm lamp showing my new design;

FIG. 3 is a first side view of a parallel arm lamp showing my new design;

FIG. 4 is a front view of a parallel arm lamp showing my new design;

FIG. 5 is a second side view of a parallel arm lamp showing my new design;

FIG. 6 is a top view of a parallel arm lamp showing my new design; and,

FIG. 7 is a bottom view of a parallel arm lamp showing my new design.

1 Claim, 6 Drawing Sheets

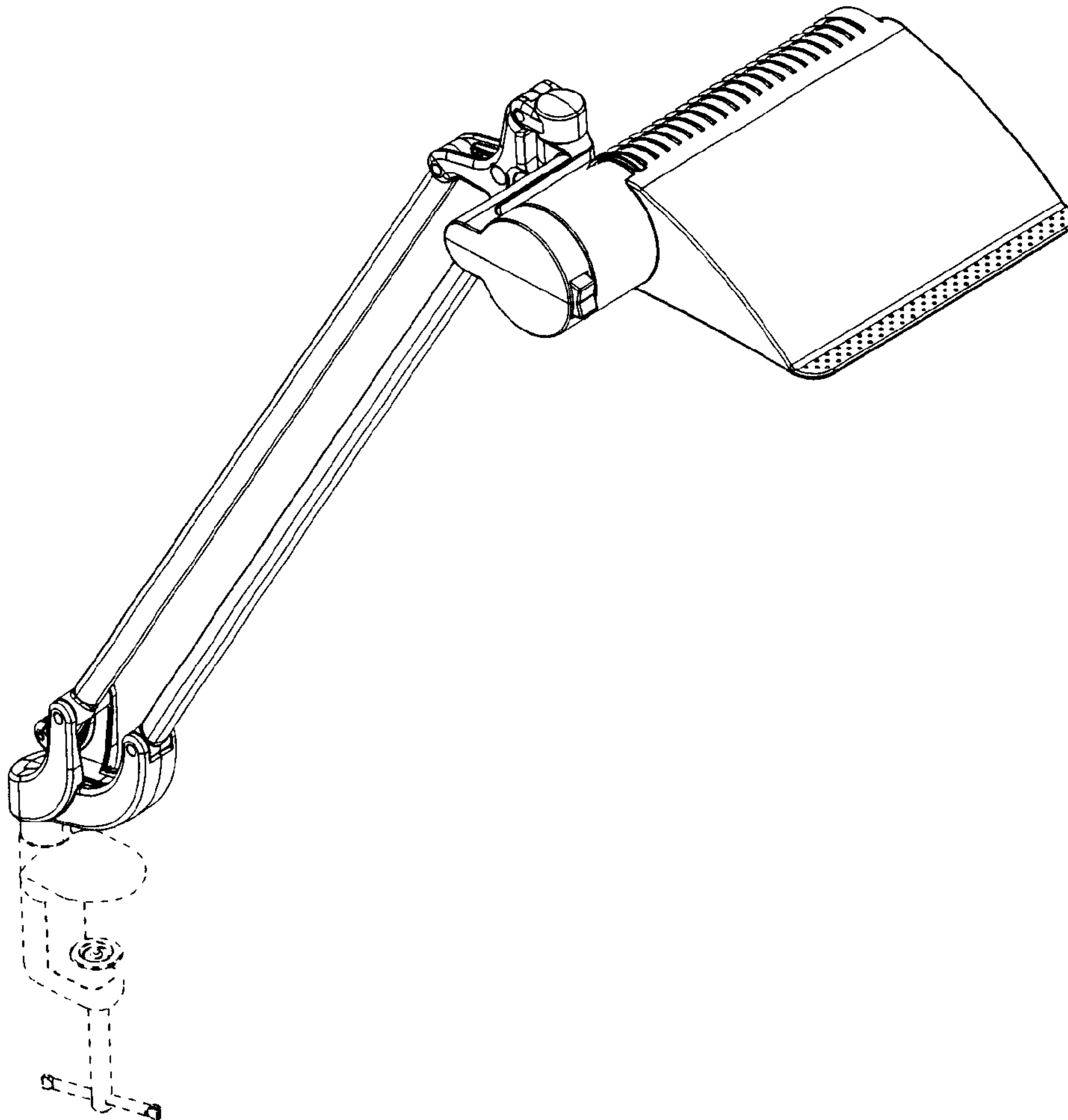


FIG. 1

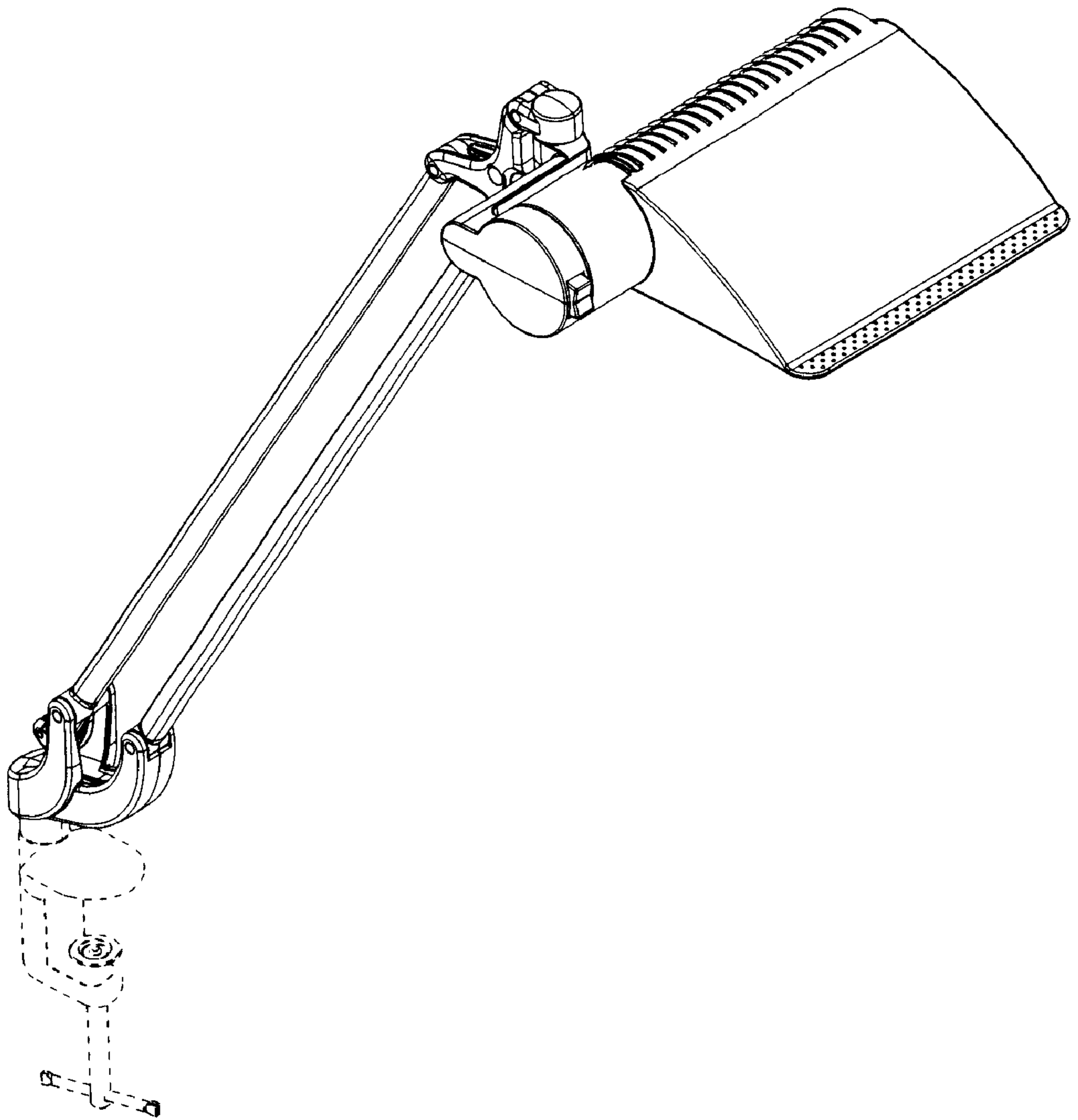


FIG. 2

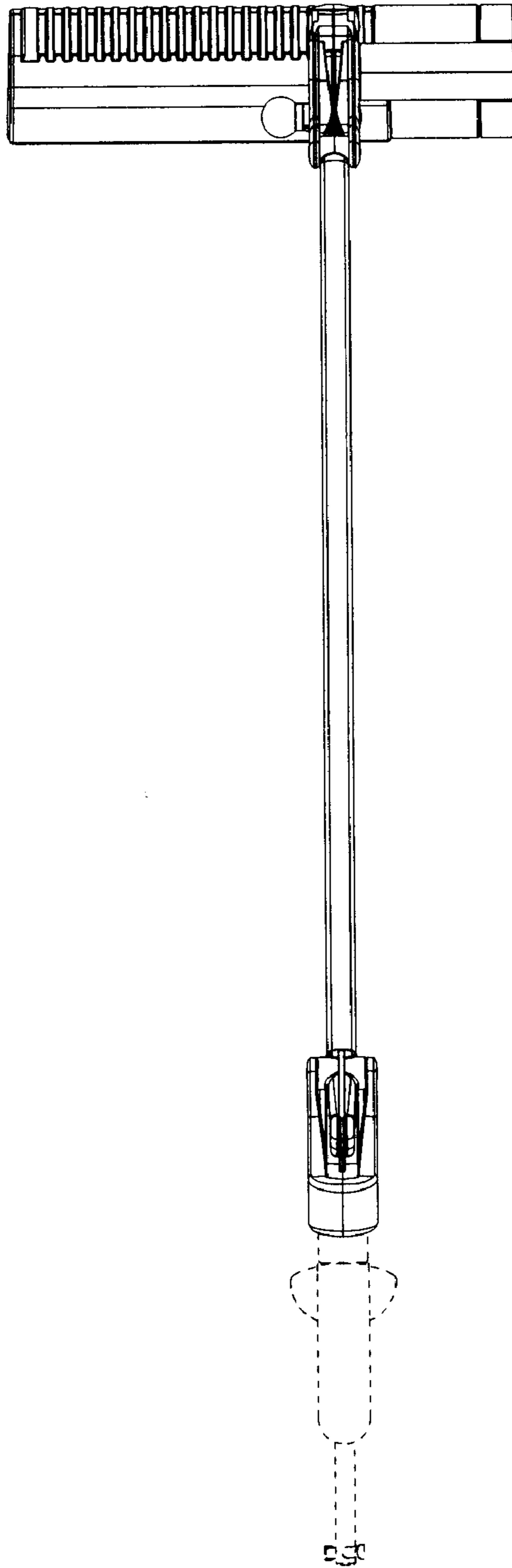


FIG. 3

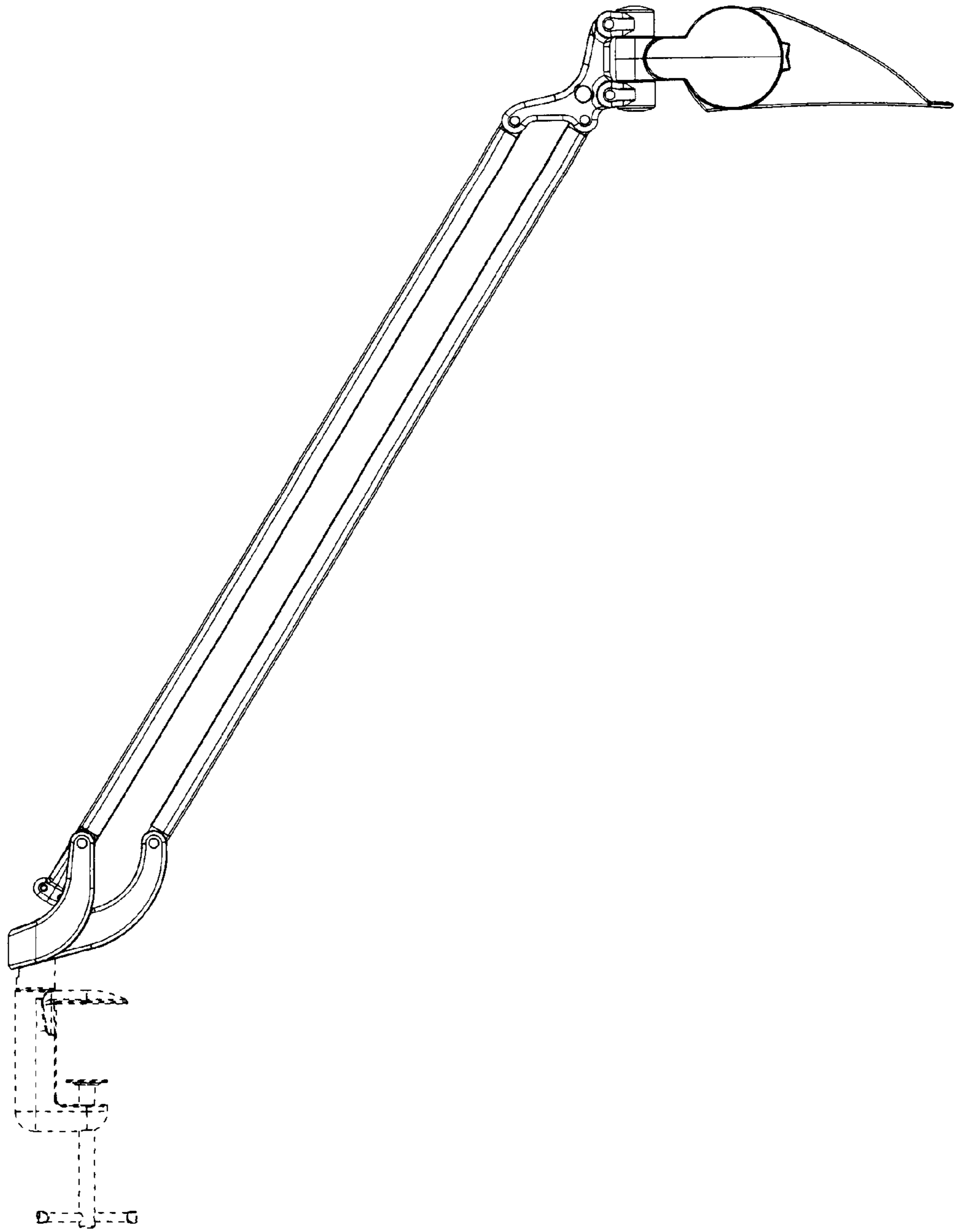


FIG. 4

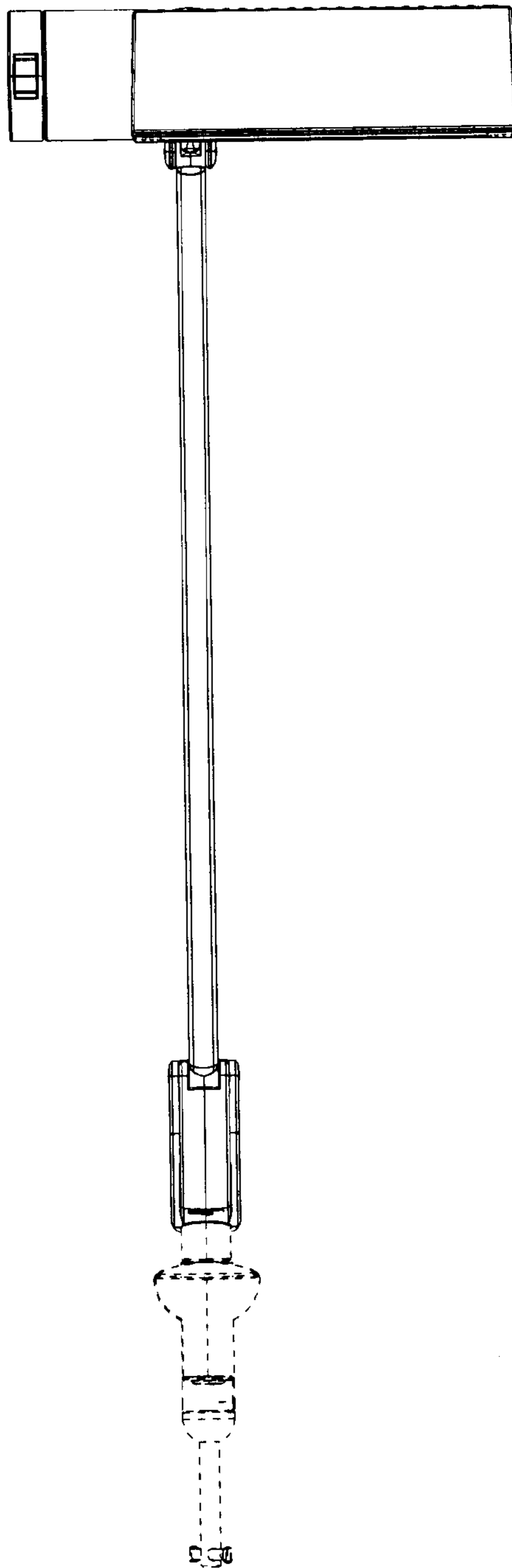


FIG. 5

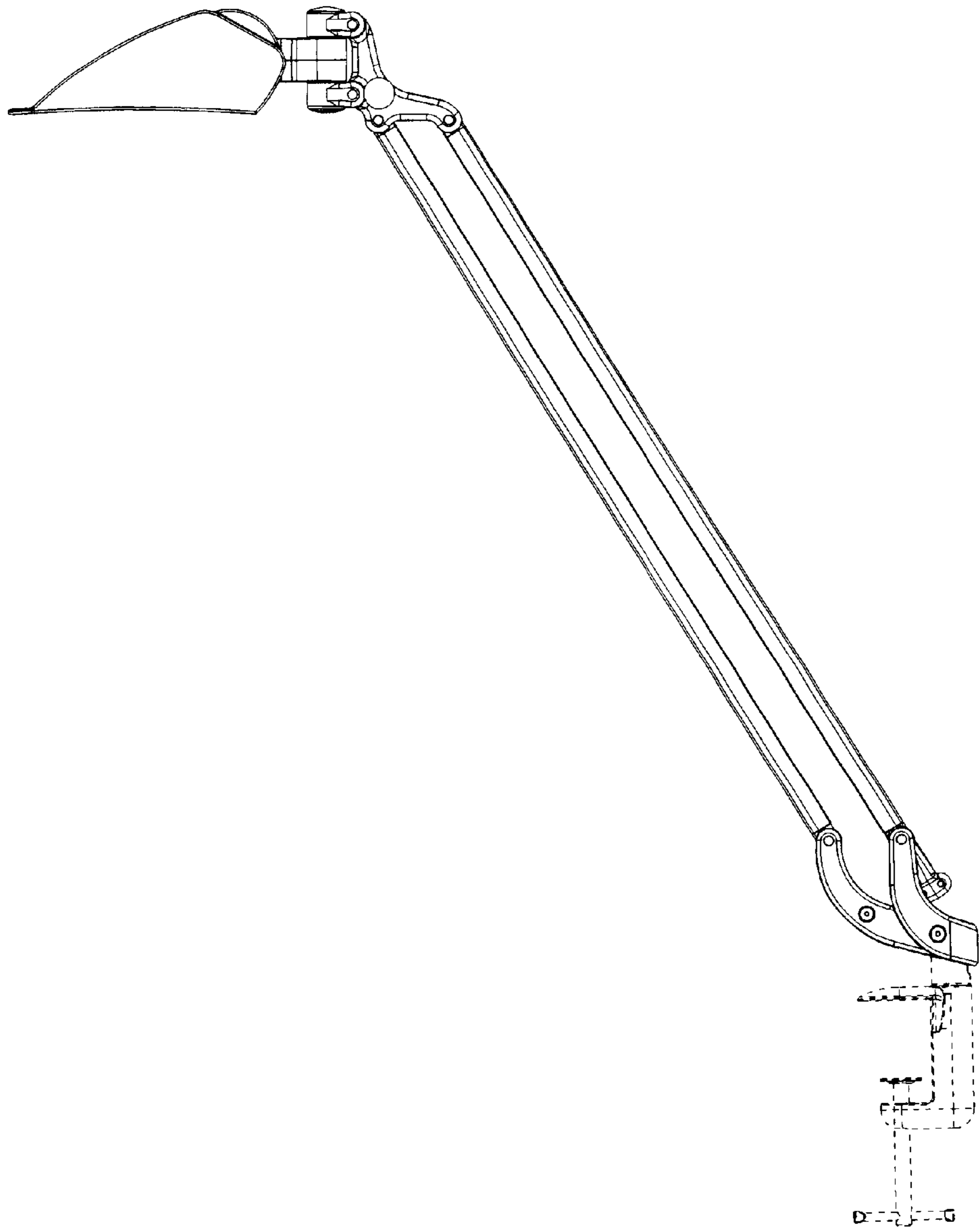


FIG. 6

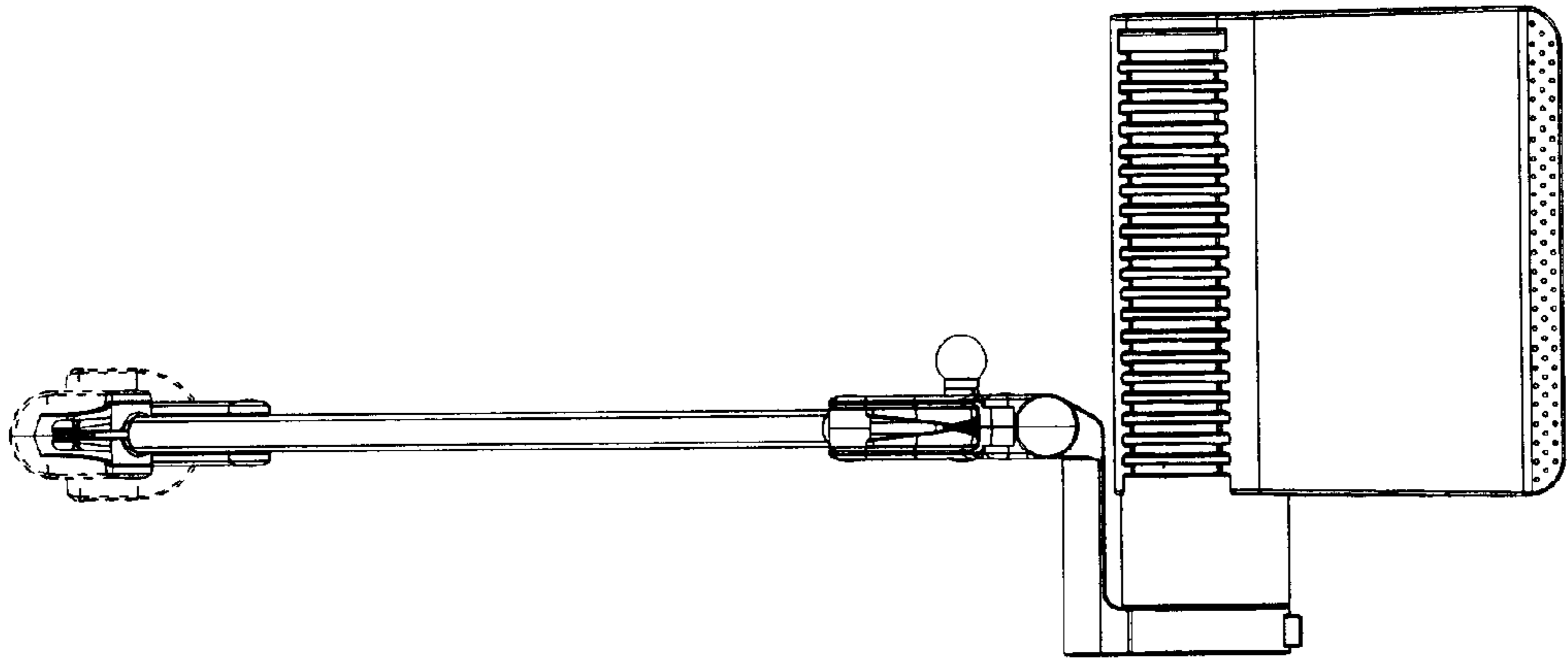


FIG. 7

