



US00D458391S

(12) **United States Design Patent**
O'Hagin et al.

(10) **Patent No.:** **US D458,391 S**

(45) **Date of Patent:** **** Jun. 4, 2002**

(54) **CLOAKED ROOF VENT FOR A TILE ROOF**

(76) Inventors: **Harry O'Hagin; Carolina O'Hagin,**
both of 1349 Cunningham Rd.,
Sebastopol, CA (US) 95472

(**) Term: **14 Years**

(21) Appl. No.: **29/132,824**

(22) Filed: **Nov. 16, 2000**

Related U.S. Application Data

(63) Continuation of application No. 08/960,166, filed on Oct. 29, 1997, which is a continuation of application No. 07/924,738, filed on Aug. 4, 1992, now abandoned.

(51) **LOC (7) Cl.** **25-01**

(52) **U.S. Cl.** **D25/140; D25/199**

(58) **Field of Search** **52/518, 553, 554,**
52/535, 198, 199, 95; D25/139, 140, 199

(56) **References Cited**

U.S. PATENT DOCUMENTS

5,636,481 A * 6/1997 De Zen 52/95
D402,064 S * 12/1998 Hahn D25/140

* cited by examiner

Primary Examiner—Doris Clark

(74) *Attorney, Agent, or Firm*—Knobbe, Martens, Olson & Bear, LLP

(57) **CLAIM**

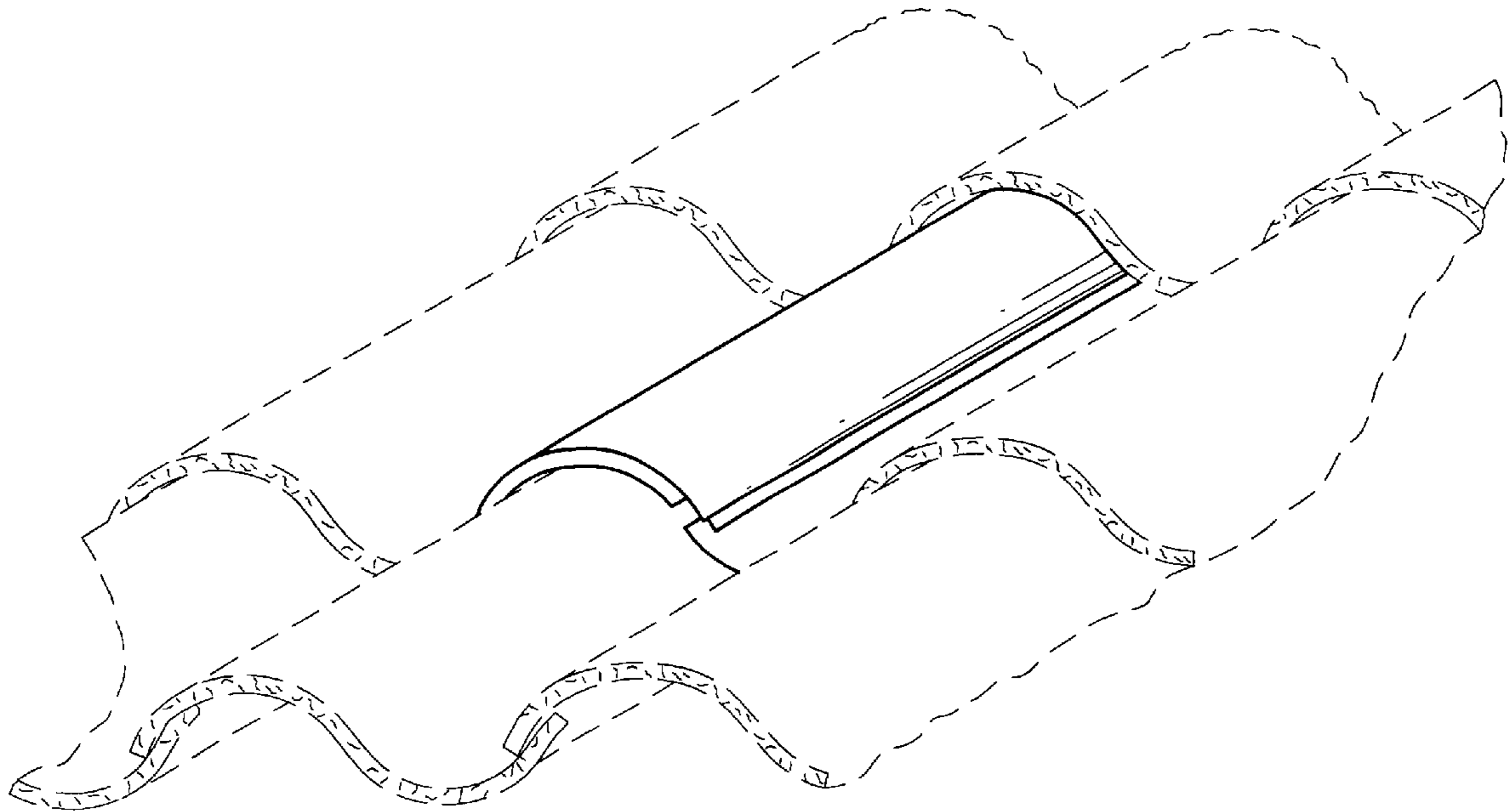
The ornamental design for a cloaked roof vent for a tile roof, as shown and described.

DESCRIPTION

The FIGURE shows a perspective view of a cloaked roof vent for a tile roof.

The broking lines are for illustrative purposes only and form no part of the claimed design.

1 Claim, 1 Drawing Sheet



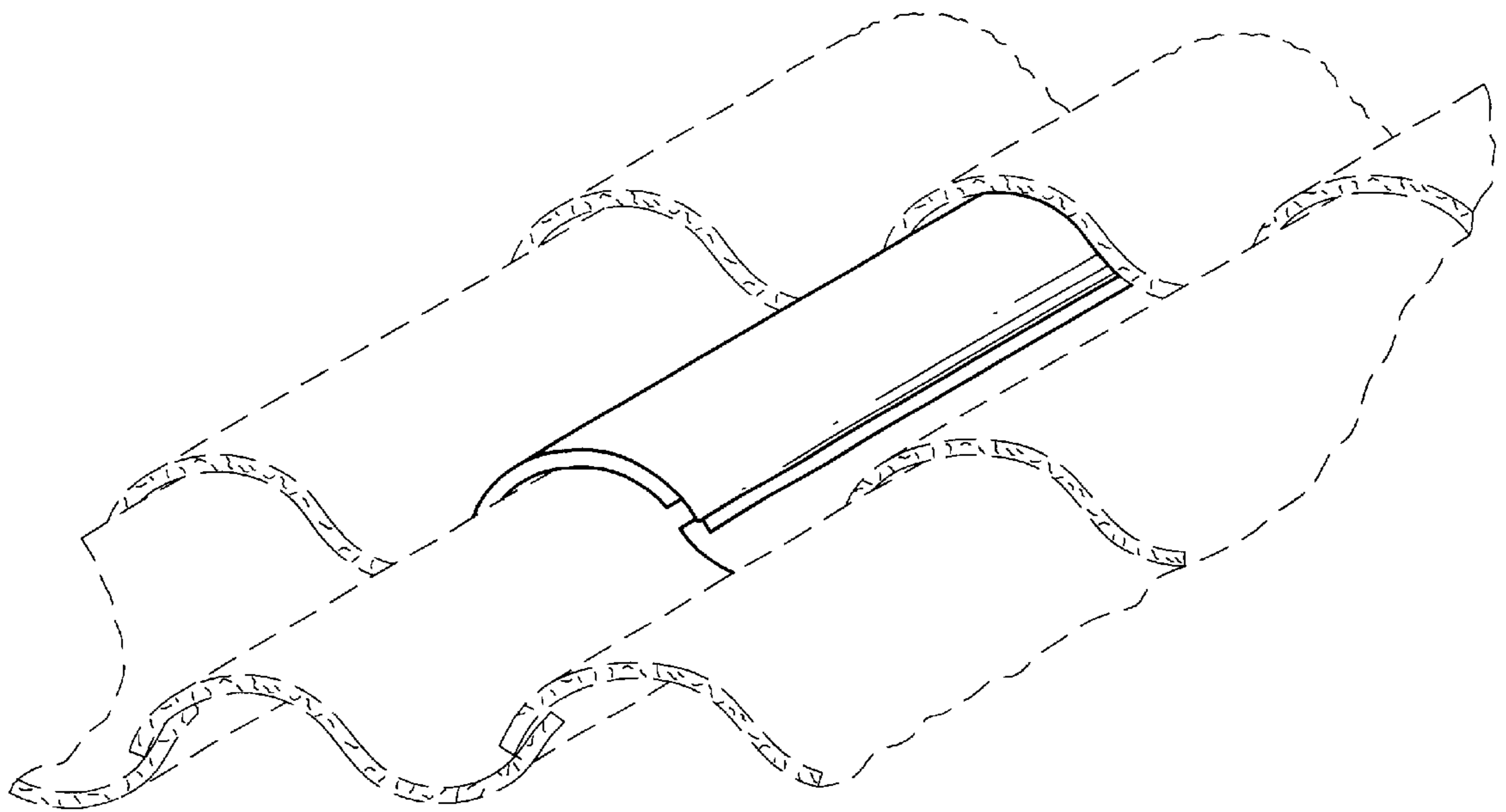


FIG. 1