



US00D458388S

(12) **United States Design Patent**
Harel

(10) **Patent No.:** **US D458,388 S**

(45) **Date of Patent:** **** Jun. 4, 2002**

(54) **DRYWALL BEAD PERFORATED FLAP**

(75) **Inventor:** **Kenneth N. Harel, Anaheim, CA (US)**

(73) **Assignee:** **Continuous Coating Corporation,**
Orange, CA (US)

(**) **Term:** **14 Years**

(21) **Appl. No.:** **29/145,617**

(22) **Filed:** **Jul. 25, 2001**

(51) **LOC (7) Cl. 25-01**

(52) **U.S. Cl. D25/119**

(58) **Field of Search 52/254, 255, 256,**
52/257, 287.1; 428/81, 83, 192; D25/125,
121, 120, 119; D8/403

5,711,124 A 1/1998 Stough et al.
5,778,617 A 7/1998 Free
5,836,122 A 11/1998 Rennich et al.
D412,673 S 8/1999 Koenig, Jr. et al.
6,233,486 B1 5/2001 Dunham

FOREIGN PATENT DOCUMENTS

AU 55424/98 2/1998
AU 59758/98 2/1998

* cited by examiner

Primary Examiner—Doris Clark

(74) *Attorney, Agent, or Firm*—Fulwider Patton Lee & Utecht, LLP

(57) **CLAIM**

The ornamental design for drywall bead perforated flap, as shown and described.

(56) **References Cited**

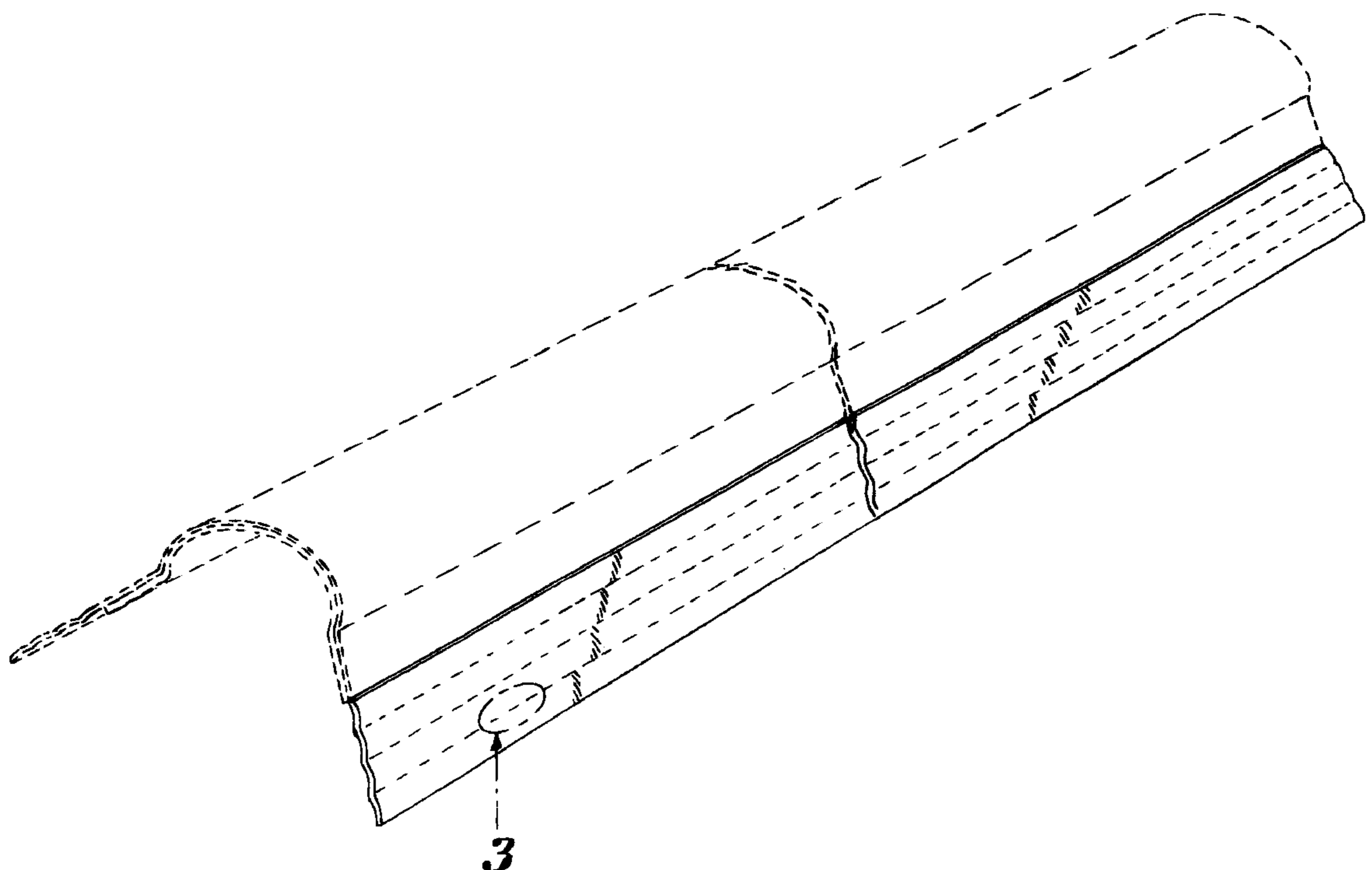
U.S. PATENT DOCUMENTS

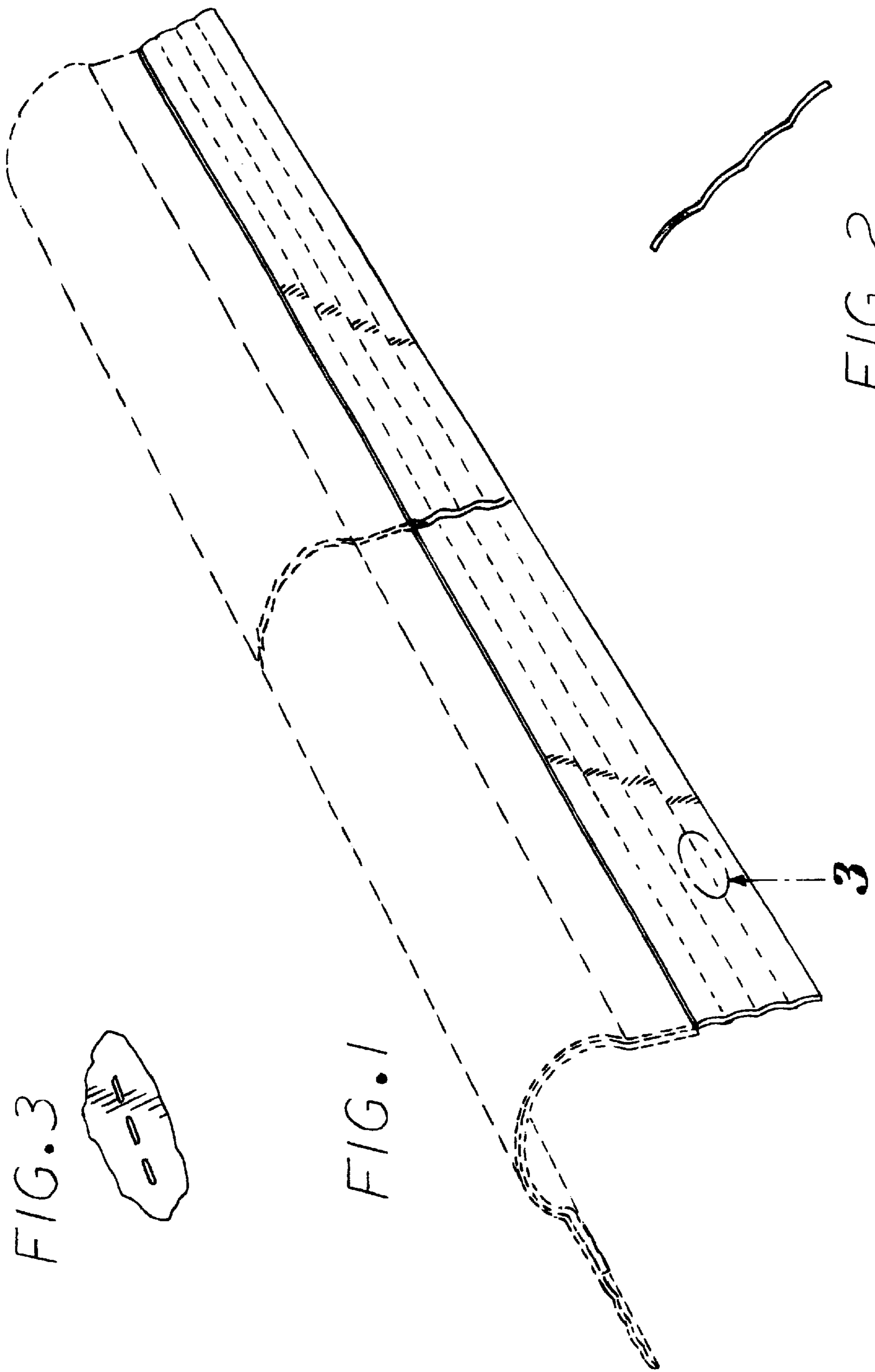
1,804,564 A *	5/1931	McChesney	52/255
2,643,423 A	6/1953	Brendel		
2,904,856 A	9/1959	Robinson		
2,969,616 A	1/1961	Gustafson		
4,722,153 A	2/1988	Hardy		
4,863,774 A	9/1989	Tucker		
4,977,718 A	12/1990	Hoffman		
5,045,374 A	9/1991	Tucker		
D351,988 S	11/1994	Gotcher		
D361,138 S *	8/1995	Moore et al.	D25/119
5,442,886 A	8/1995	Iacobelli		
5,505,032 A	4/1996	Wasserman et al.		
5,531,050 A	7/1996	Stibolt et al.		
5,544,463 A	8/1996	Bergin		

DESCRIPTION

FIG. 1 is a perspective view of drywall bead perforated flap showing my new design, the right end portion shown broken away to indicate indeterminate length;
FIG. 2 is a left end view thereof, the right end being a mirror image;
FIG. 3 is a detailed view, in enlarged scale, taken from the oval identified by the numeral 3 in FIG. 1;
FIG. 4 is a broken top view thereof; and,
FIG. 5 is a broken bottom view thereof.
The broken line showing of a drywall bead core is for illustrative purposes only and forms no part of the claimed design.

1 Claim, 2 Drawing Sheets





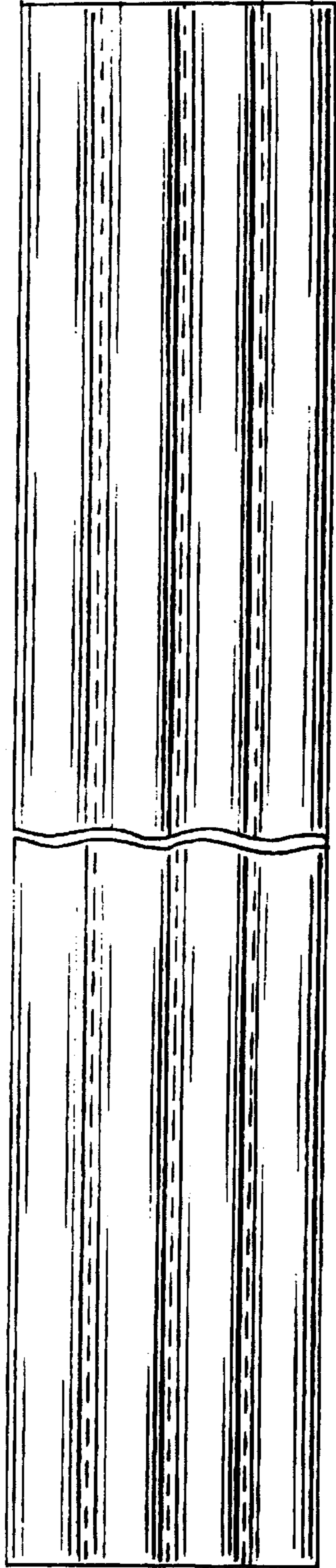


FIG. 4

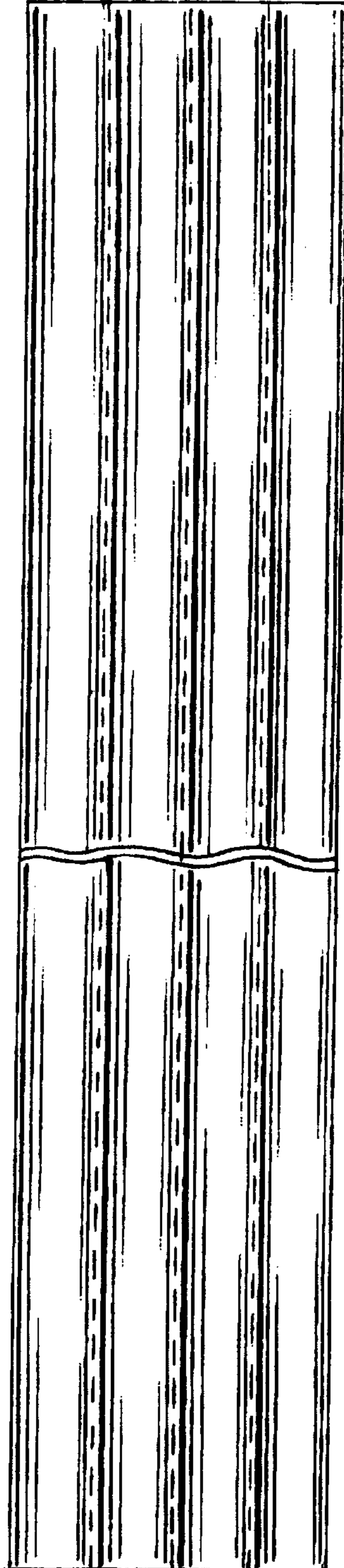


FIG. 5

UNITED STATES PATENT AND TRADEMARK OFFICE
CERTIFICATE OF CORRECTION

PATENT NO. : Des 458,388 S
DATED : June 4, 2002
INVENTOR(S) : Kenneth N. Harel

Page 1 of 1

It is certified that error appears in the above-identified patent and that said Letters Patent is hereby corrected as shown below:

Title page,

Item [54], Title, replace "FLAP" with -- FLAPS --.

Item [57], CLAIM, replace "flap" with -- flaps --.

DESCRIPTION,

FIG. 1, line 1, replace "flap" with -- flaps --.

Signed and Sealed this

Sixth Day of August, 2002

Attest:

A handwritten signature in black ink, appearing to read "James E. Rogan", written over a horizontal line.

Attesting Officer

JAMES E. ROGAN
Director of the United States Patent and Trademark Office