



US00D458387S

(12) **United States Design Patent**  
**Blomquist et al.**

(10) **Patent No.: US D458,387 S**

(45) **Date of Patent: \*\* Jun. 4, 2002**

(54) **MODULAR RETAINING WALL BLOCK**

CA 63365 5/1989  
CA 63366 5/1989

(75) Inventors: **Peter J. Blomquist**, Melbourne Beach, FL (US); **Todd P. Strand**, Marine on St. Croix, MN (US)

(List continued on next page.)

(73) Assignee: **Kiltie Corp.**, Oakdale, MN (US)

(\*\*) Term: **14 Years**

(21) Appl. No.: **29/146,208**

(22) Filed: **Aug. 6, 2001**

**OTHER PUBLICATIONS**

Garden Rockery Retaining Wall System, "The Natural Garden", Pacific Precast Products Ltd., EP Henry, "Hardscaping For All Walks Of Life", Products Catalog, 1998.

CornerStone Retaining Wall System, Project Profile (date unknown).

(List continued on next page.)

**Related U.S. Application Data**

(62) Division of application No. 29/141,432, filed on May 4, 2001, which is a division of application No. 29/130,433, filed on Oct. 2, 2000, now Pat. No. Des. 447,573, and a division of application No. 29/112,434, filed on Oct. 15, 1999, now Pat. No. Des. 435,302.

*Primary Examiner*—Louis S. Zarfes

*Assistant Examiner*—Robert A. Delehanty

(74) *Attorney, Agent, or Firm*—Kinney & Lange, P.A.

(51) **LOC (7) Cl.** ..... **25-01**

(52) **U.S. Cl.** ..... **D25/113**

(58) **Field of Search** ..... D25/102, 113–118, D25/164, 199, 150; D21/484–486, 488–492, 499–500; 52/582.1, 588.1, 596, 575, 606, 607; 404/29, 34, 39–42; 405/284–287, 287.1, 16, 272–273

(57) **CLAIM**

The ornamental design for a modular retaining wall block, as shown and described.

(56) **References Cited**

**U.S. PATENT DOCUMENTS**

228,052 A	5/1880	Frost	.....	52/660
468,838 A	2/1892	Steiger	.....	52/284
D22,609 S	7/1893	Deslauriers	.....	D25/151
D22,610 S	7/1893	Delauriers	.....	D25/151
D67,647 S	6/1925	Dunn	.....	D25/118
2,235,646 A	3/1941	Schaffer	.....	72/101

(List continued on next page.)

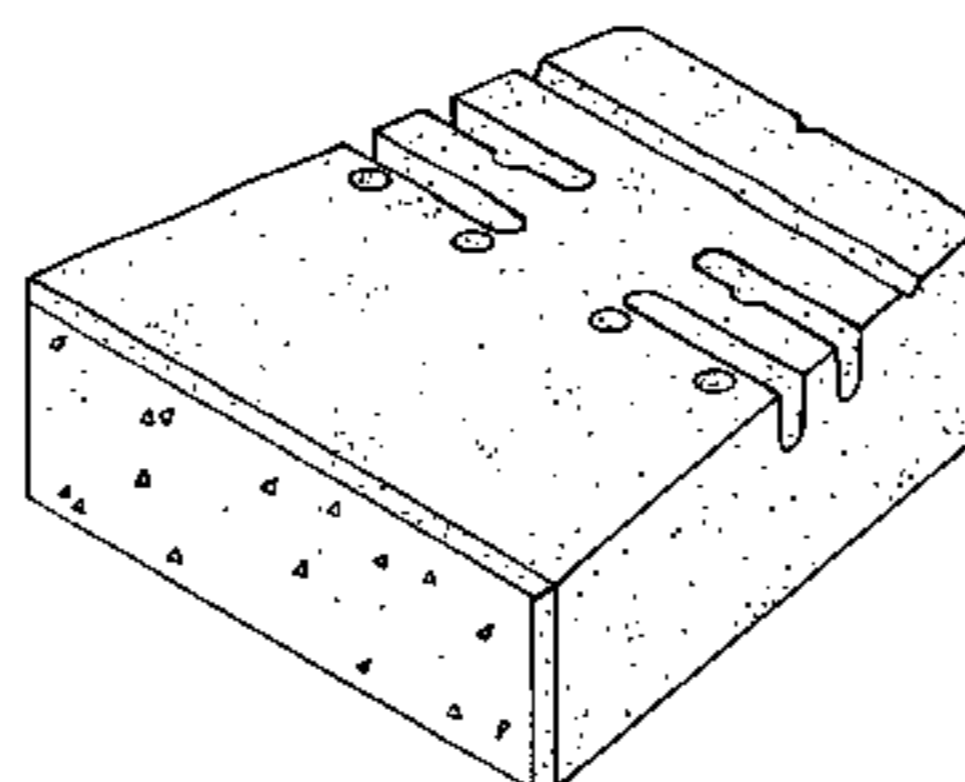
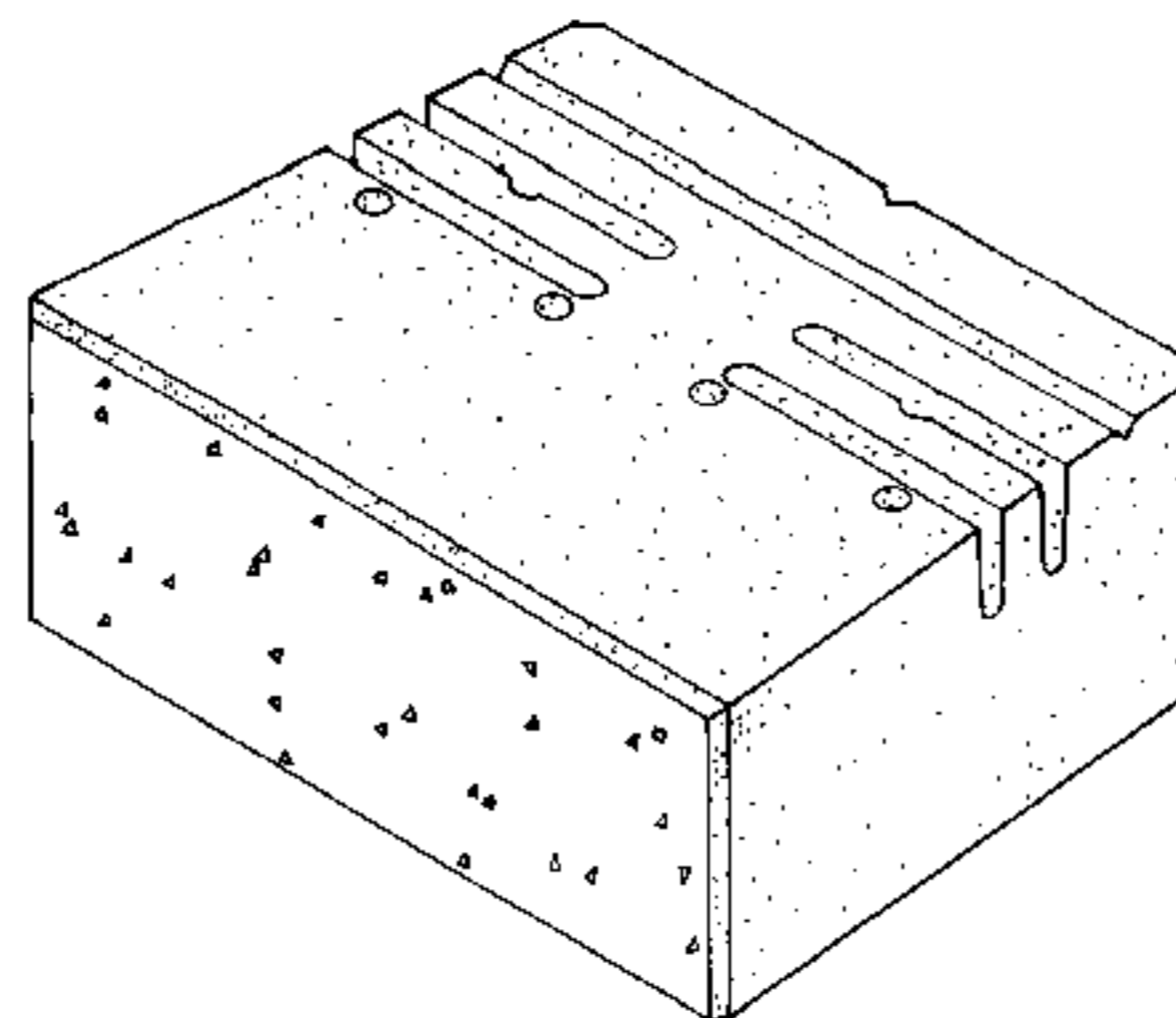
**FOREIGN PATENT DOCUMENTS**

CA	531354	10/1856	
CA	50020	9/1982	
CA	1182295	2/1985	..... 61/52
CA	62875	4/1989	

**DESCRIPTION**

FIG. 1 is a perspective view of a masonry block used in a retaining wall of our new design;  
FIG. 2 is a top plan view thereof;  
FIG. 3 is a front elevational view thereof;  
FIG. 4 is a side elevational view thereof, as taken from the left in FIGS. 1–3 (the right side is a mirror image of the left side);  
FIG. 5 is a rear elevational view thereof;  
FIG. 6 is a bottom plan view thereof;  
FIG. 7 is a perspective view of a second masonry block used in a retaining wall of our new design;  
FIG. 8 is a top plan view thereof;  
FIG. 9 is a front elevational view thereof;  
FIG. 10 is a side elevational view thereof, as taken from the left in FIGS. 7–9 (the right side is a mirror image of the left side);  
FIG. 11 is a rear elevational view thereof; and,  
FIG. 12 is a bottom plan view thereof.

**1 Claim, 4 Drawing Sheets**



U.S. PATENT DOCUMENTS

D134,608 S	12/1942	Larson	.....	D25/114
2,313,363 A	9/1943	Schmitt	.....	61/39
2,371,201 A	3/1945	Wells	.....	72/38
3,036,407 A	5/1962	Dixon	.....	50/443
3,783,566 A	1/1974	Nielson	.....	52/232
3,925,994 A	12/1975	Broms et al.	.....	61/39
3,936,987 A	2/1976	Calvin	.....	52/309
3,953,979 A	5/1976	Kurose	.....	61/39
4,083,190 A	4/1978	Pey	.....	61/4
4,107,894 A	8/1978	Mullins	.....	52/593
4,110,949 A	9/1978	Cambiuzzi et al.	.....	52/437
4,175,888 A	11/1979	Ijima	.....	405/31
4,190,384 A	2/1980	Neumann	.....	405/284
4,193,718 A	3/1980	Wahrendorf et al.	.....	405/286
4,207,718 A	6/1980	Schaaf et al.	.....	52/585
4,228,628 A	10/1980	Schlomann	.....	52/438
4,262,463 A	4/1981	Hapel	.....	52/98
4,312,606 A	1/1982	Sarikelle	.....	405/286
4,337,605 A	7/1982	Tudek	.....	52/293
4,454,699 A	6/1984	Strobl	.....	52/585
4,490,075 A	12/1984	Risi et al.	.....	405/273
4,512,685 A	4/1985	Hegle	.....	405/284
D279,030 S	5/1985	Risi et al.	.....	D25/80
D280,024 S	8/1985	Risi et al.	.....	D25/80
4,565,043 A	1/1986	Mazzarese	.....	52/593
4,651,485 A	3/1987	Osborne	.....	52/284
4,660,342 A	4/1987	Salisbury	.....	52/358
D295,788 S	5/1988	Forsberg	.....	D25/113
D296,007 S	5/1988	Forsberg	.....	D25/116
D296,365 S	6/1988	Forsberg	.....	D25/116
D297,464 S	8/1988	Forsberg	.....	D25/114
D297,574 S	9/1988	Forsberg	.....	D25/114
D297,767 S	9/1988	Forsberg	.....	D25/58
4,784,821 A	11/1988	Leopold	.....	264/510
D299,067 S	12/1988	Forsberg	.....	D25/58
4,802,320 A	2/1989	Forsberg	.....	52/585
4,815,897 A	3/1989	Risi et al.	.....	405/284
4,825,619 A	5/1989	Forsberg	.....	52/562
4,884,921 A	12/1989	Smith	.....	405/286
D311,444 S	10/1990	Forsberg	.....	D25/113
4,964,761 A	10/1990	Rossi	.....	405/286
D317,048 S	5/1991	Forsberg	.....	D25/114
5,017,049 A	5/1991	Sievert	.....	405/284
D319,885 S	9/1991	Blomquist et al.	.....	D25/118
5,044,834 A	9/1991	Janopaul, Jr.	.....	405/284
D321,060 S	10/1991	Blomquist et al.	.....	D25/118
5,161,918 A	11/1992	Hodel	.....	405/286
D341,215 S	11/1993	Blomquist et al.	.....	D25/118
5,294,216 A	3/1994	Sievert	.....	405/286
D346,667 S	5/1994	Blomquist et al.	.....	D25/113

5,540,525 A	*	7/1996	Miller et al.	.....	405/284
D378,702 S		4/1997	Blomquist et al.	.....	D25/113
5,622,456 A	*	4/1997	Risi et al.	.....	405/284
D380,560 S		7/1997	Forsberg	.....	D25/113
D391,376 S		2/1998	Strand et al.	.....	D25/113

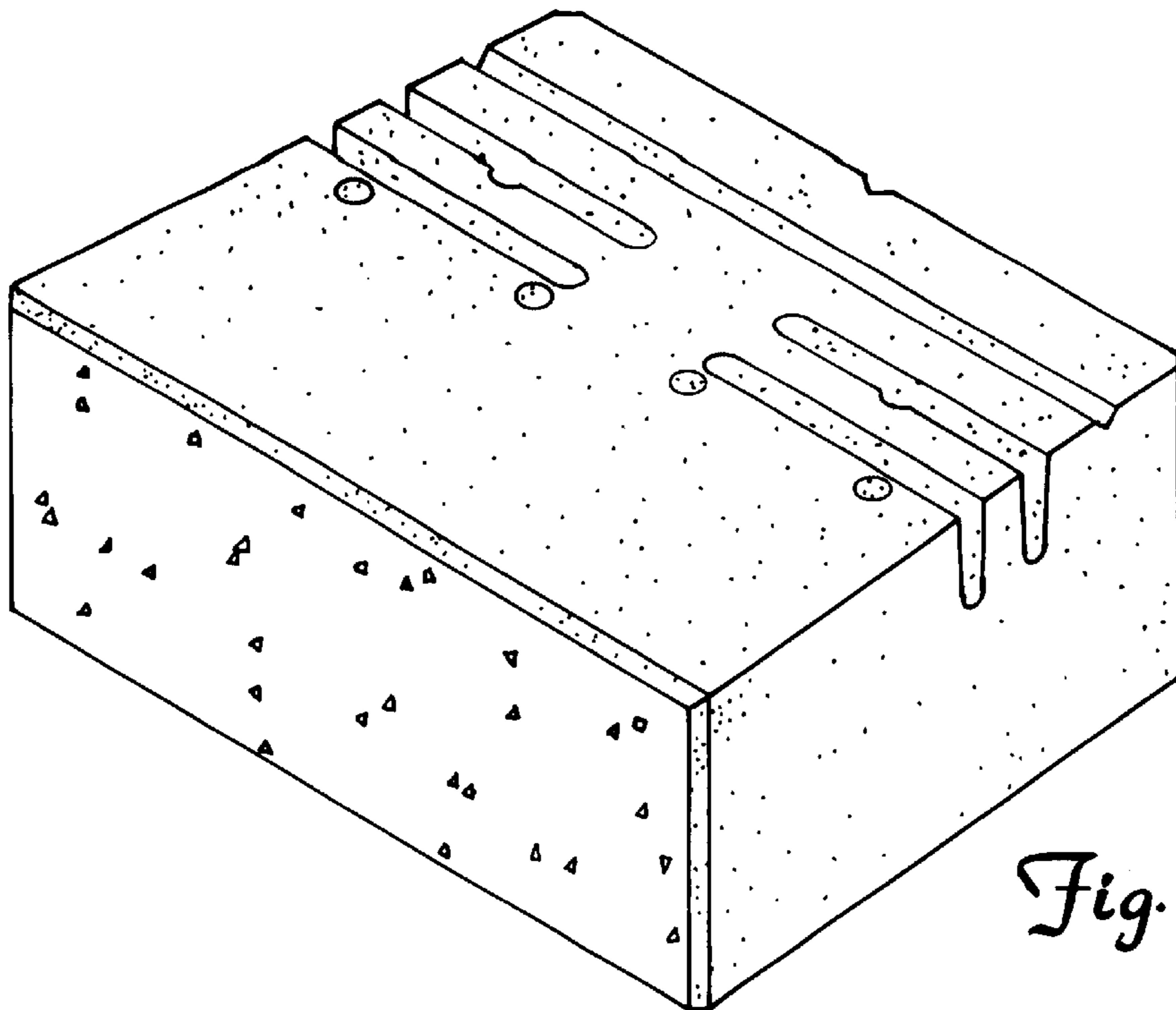
FOREIGN PATENT DOCUMENTS

CA	67904	1/1991	
CH	205452	9/1939	
CH	663437	12/1987	
DE	9015.196.8	4/1991	
FR	2343871	5/1976	
FR	2476179	2/1980	
GB	2127872	4/1984	
NZ	92167	7/1948	..... 81/12
NZ	215196	12/1989	
NZ	24781	5/1993	..... 25/1 B
NZ	25131	6/1994	..... 25/1 B
NZ	25132	6/1994	..... 25/1 B
NZ	25133	6/1994	..... 25/1 B

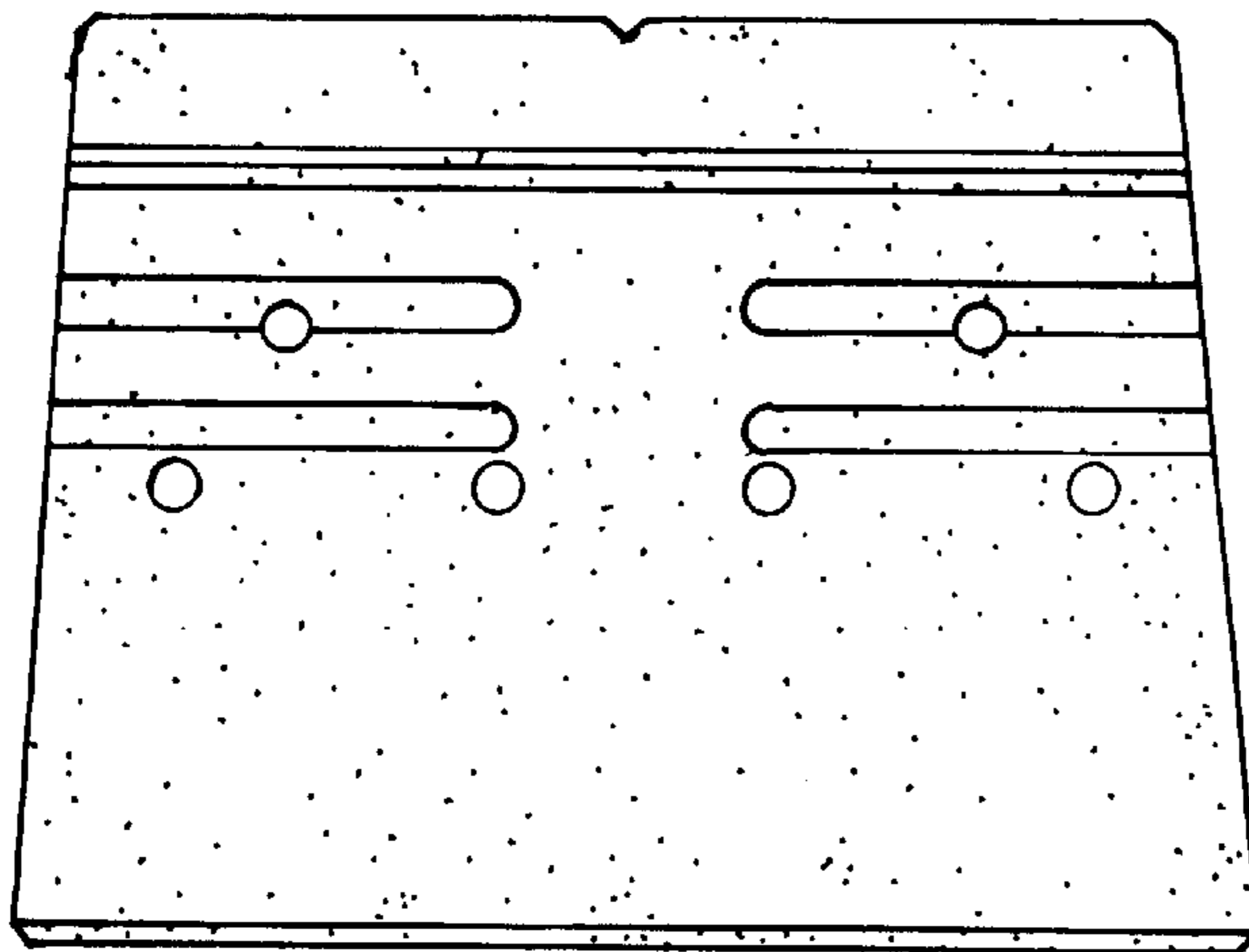
OTHER PUBLICATIONS

- Mutual Materials Co., Roman Stackstone (date unknown).
- Belgard, "Enhance Your Environment With Belgard", Mar. 1998.
- LAFARGE, "New Tumbled Garden Wall" (date unknown).
- Best Way Stone, Product Literature (date unknown).
- Best Way Stone, "The Europa Collection: The aged elegance of traditional hand-hewn stone" (date unknown).
- VERSA-LOK Retaining Wall Systems, Introducing VERSA-LOK Weathered, 1998.
- VERSA-LOK Retaining Wall Systems, "Mini: The beautiful, easy-to-install retaining wall system that is a do-it-yourselfer's dream", 1991.
- VERSA-LOK Retaining Wall Systems, Product Literature, 1996.
- VERSA-LOK Retaining Wall Systems, Design & Installation Guidelines, 1995.
- Diamond Wall System, Diamond Wall System Installation Guide, 1989.
- Diamond Wall System, Installation Guide (date unknown).
- Anchor Block/Oscar Roberts, Diamond Wall System: Tech Spec. Sep. 1988.
- Keystone Retaining Wall Systems, International Campac Unit, 1992.
- Besser Company, Modular Concrete Block, 1984.

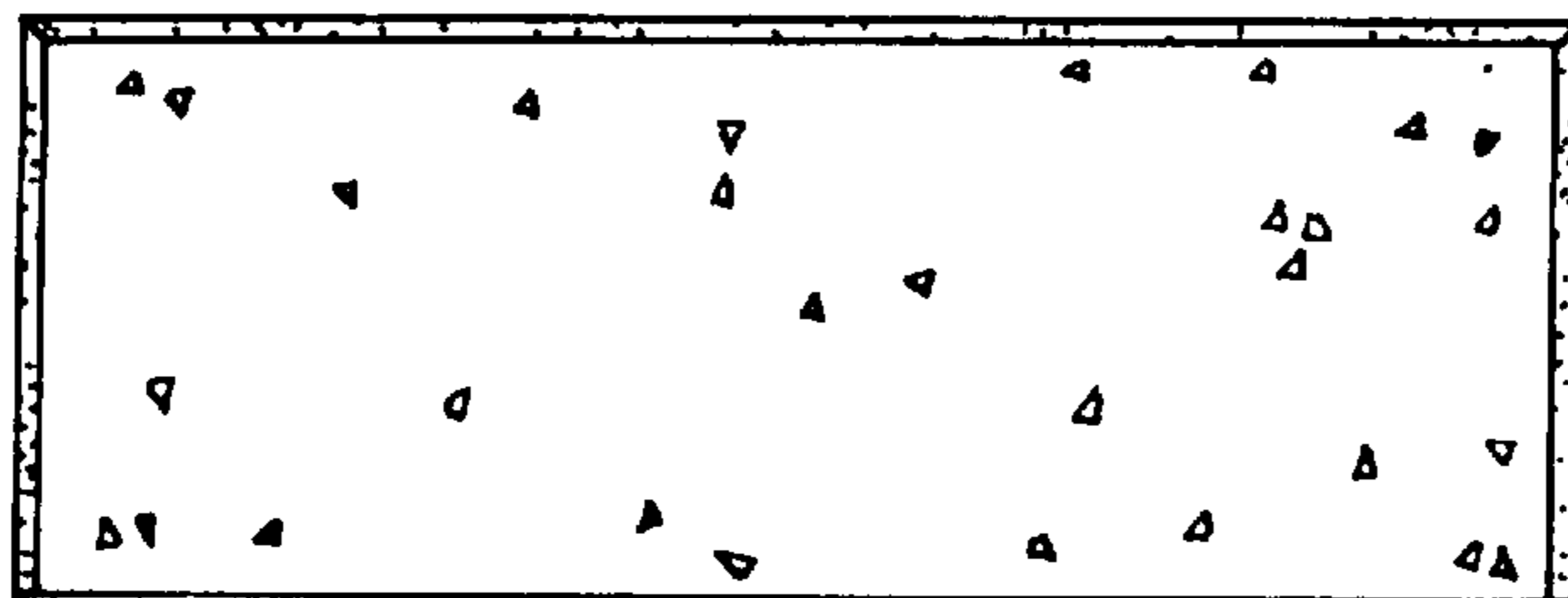
\* cited by examiner



*Fig. 1*

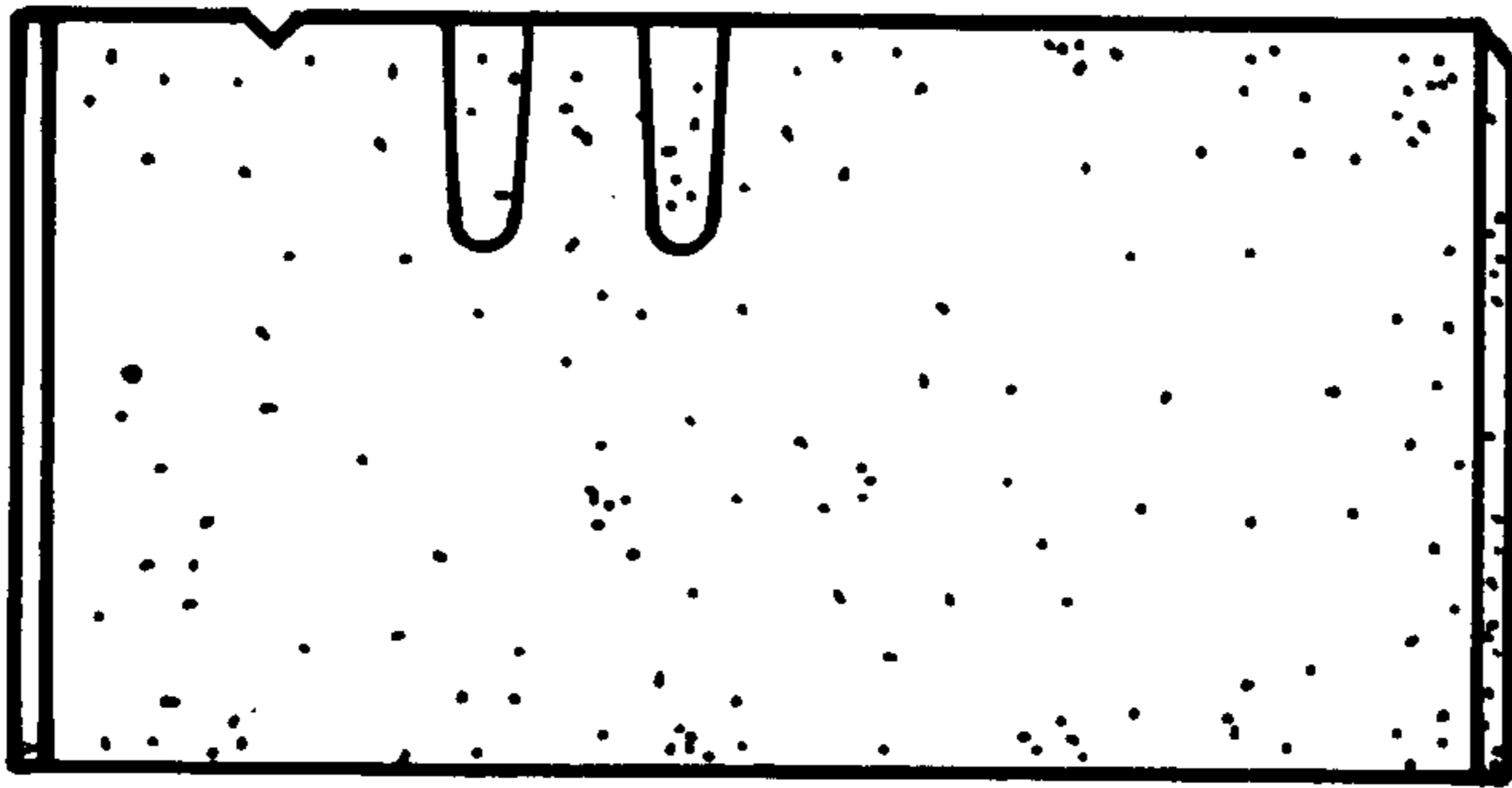


*Fig. 2*

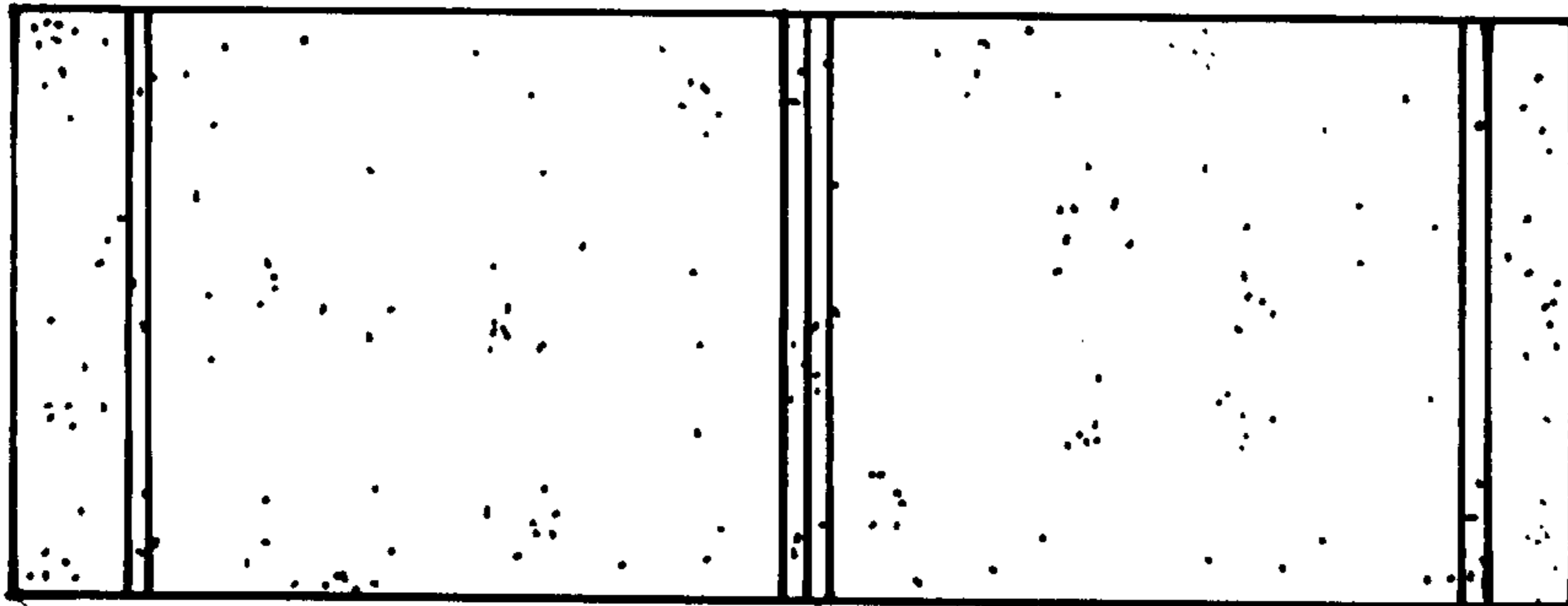


*Fig. 3*

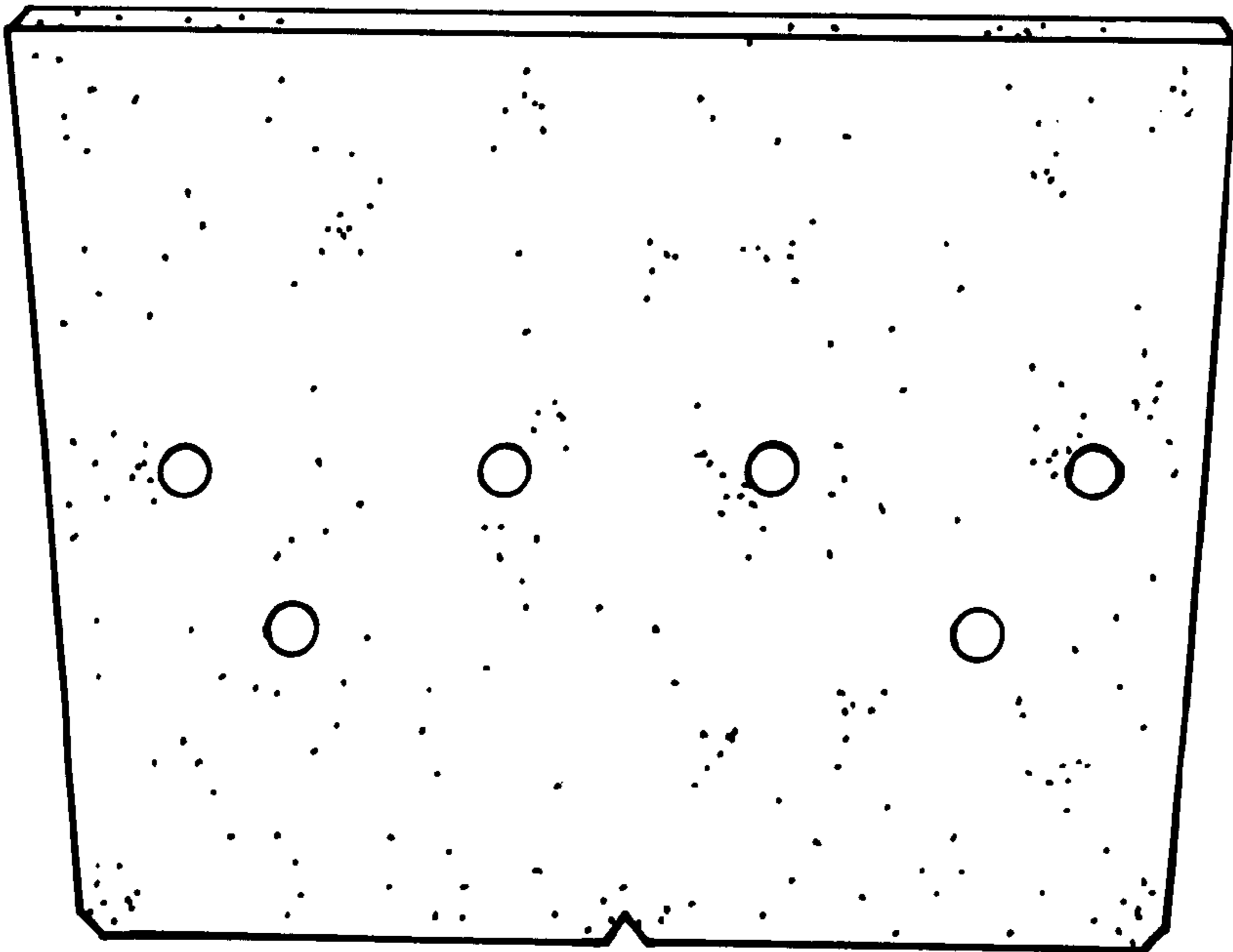




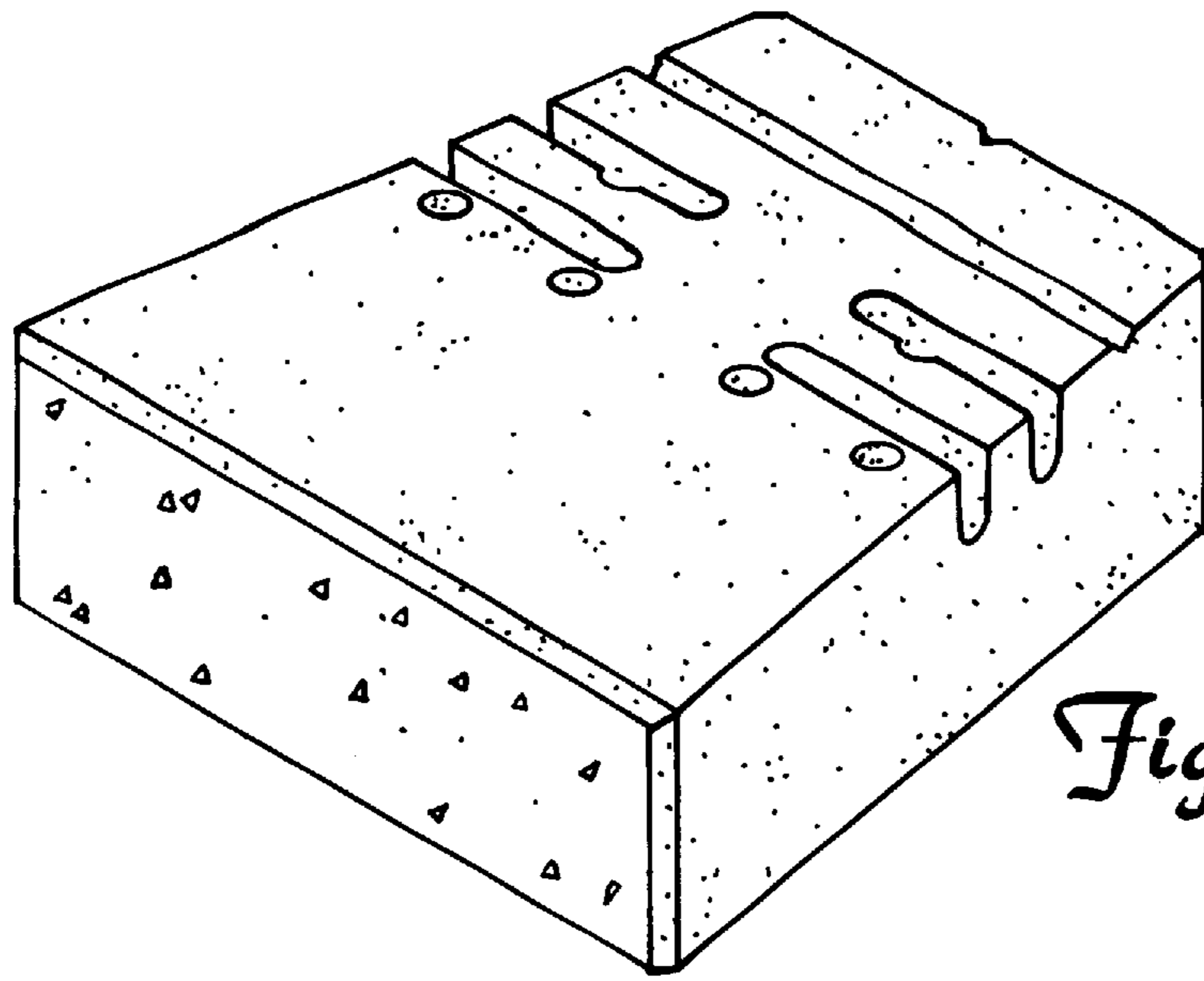
*Fig. 4*



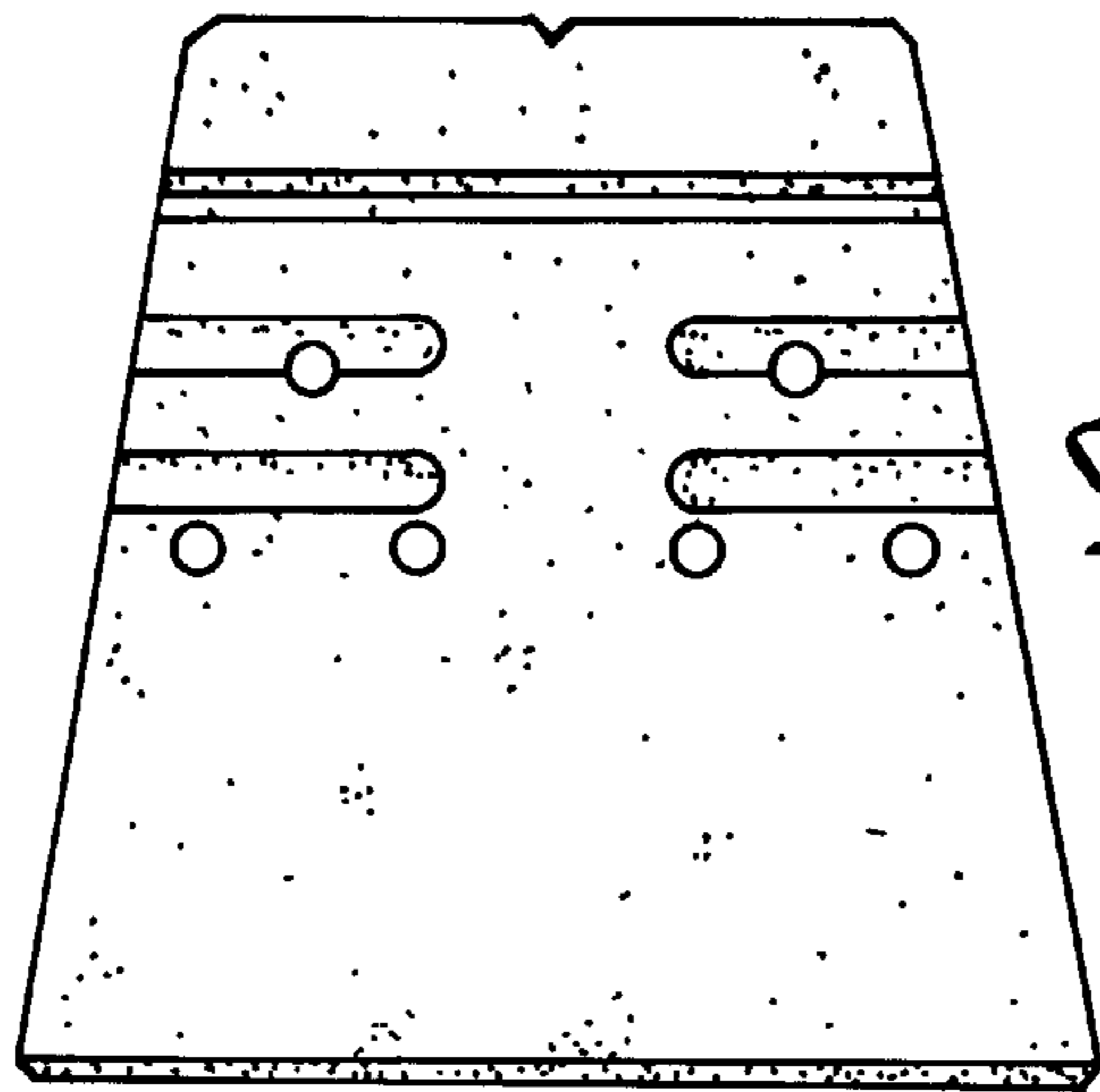
*Fig. 5*



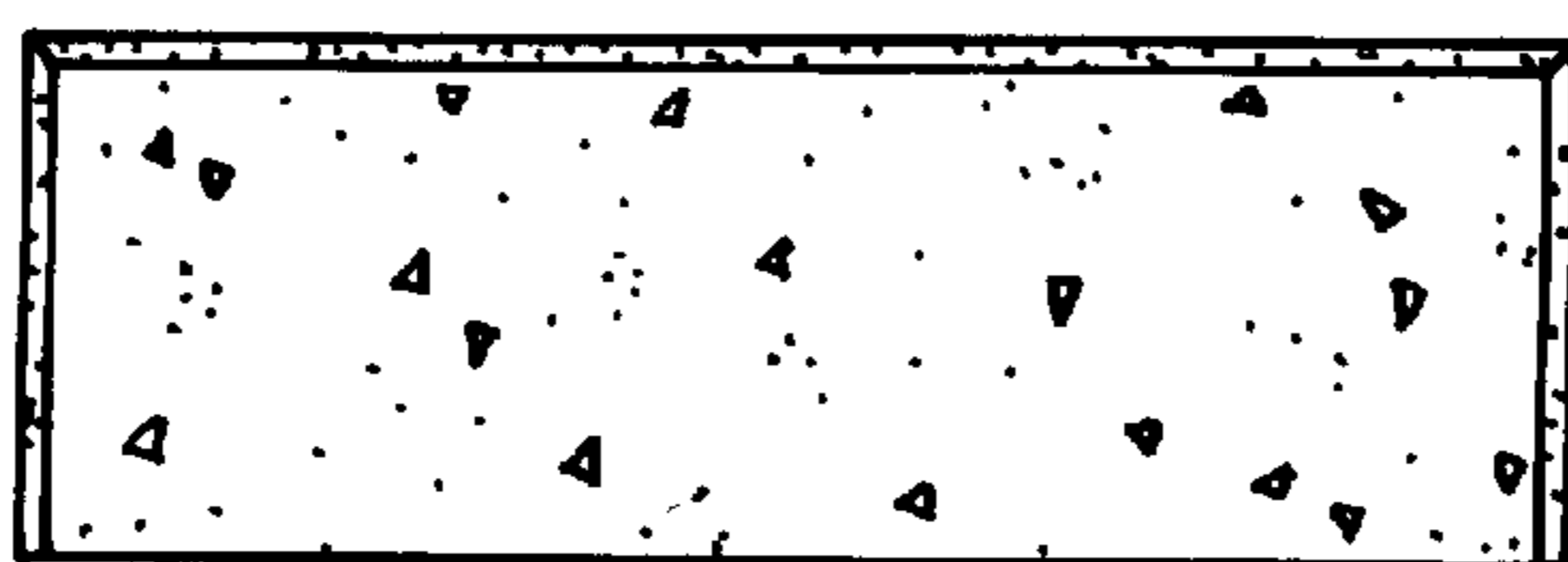
*Fig. 6*



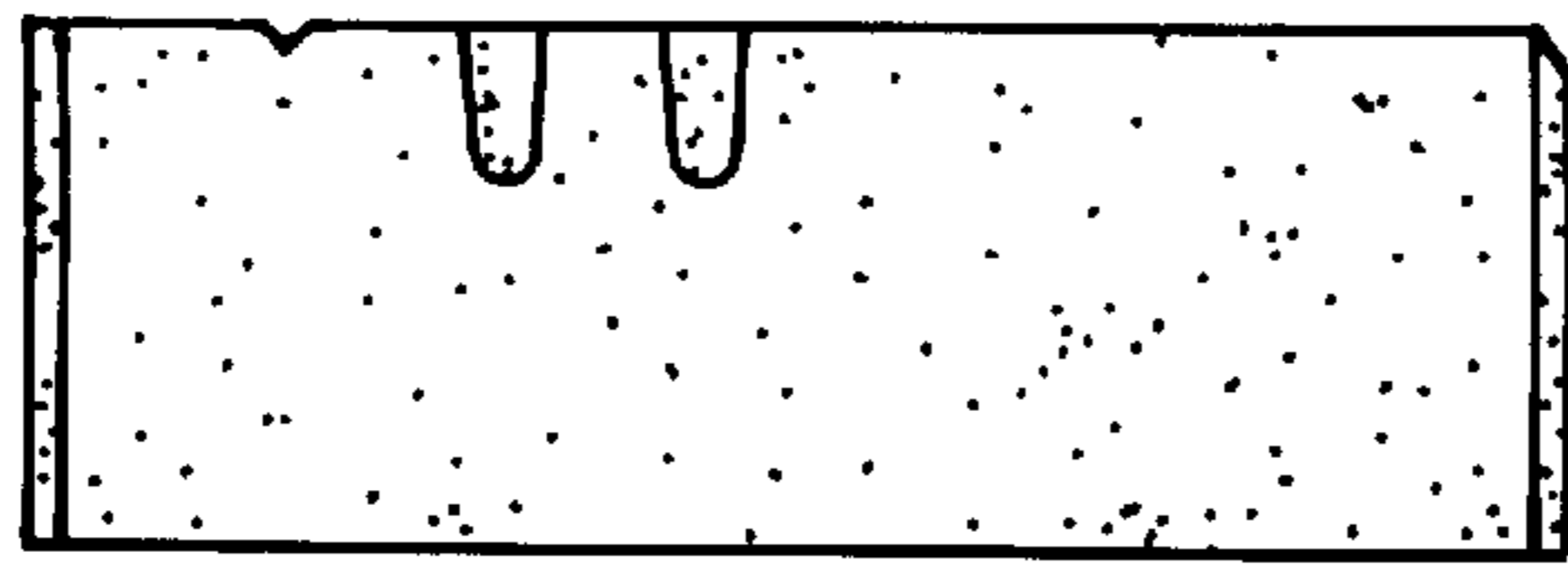
*Fig. 7*



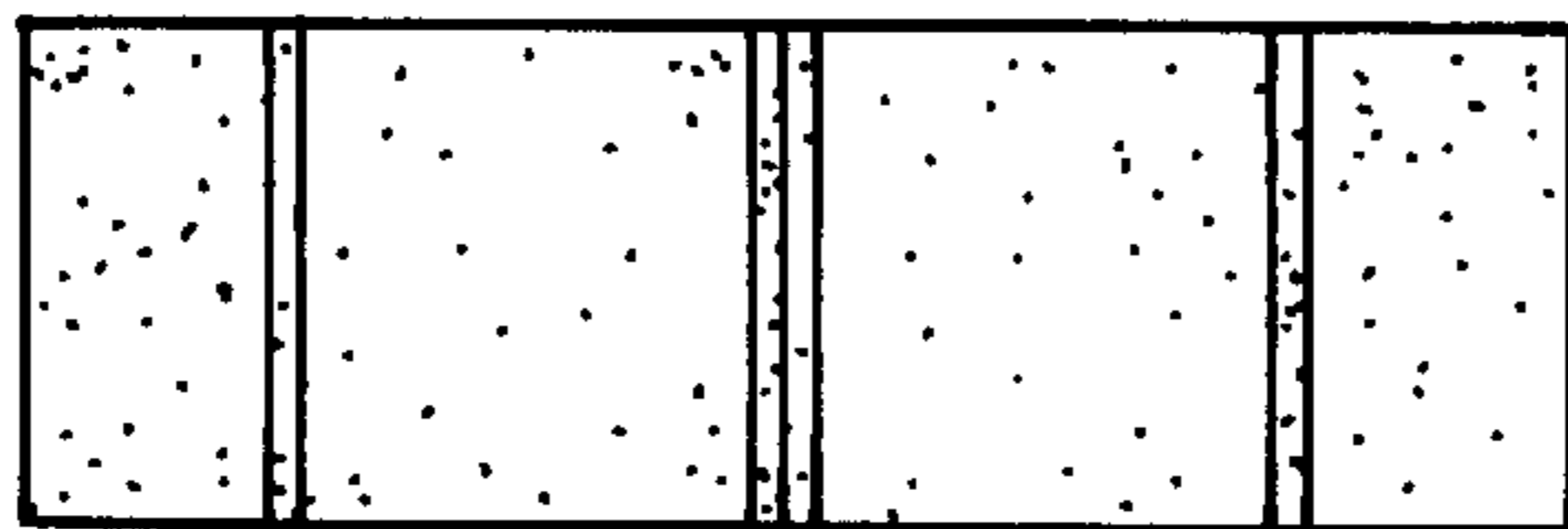
*Fig. 8*



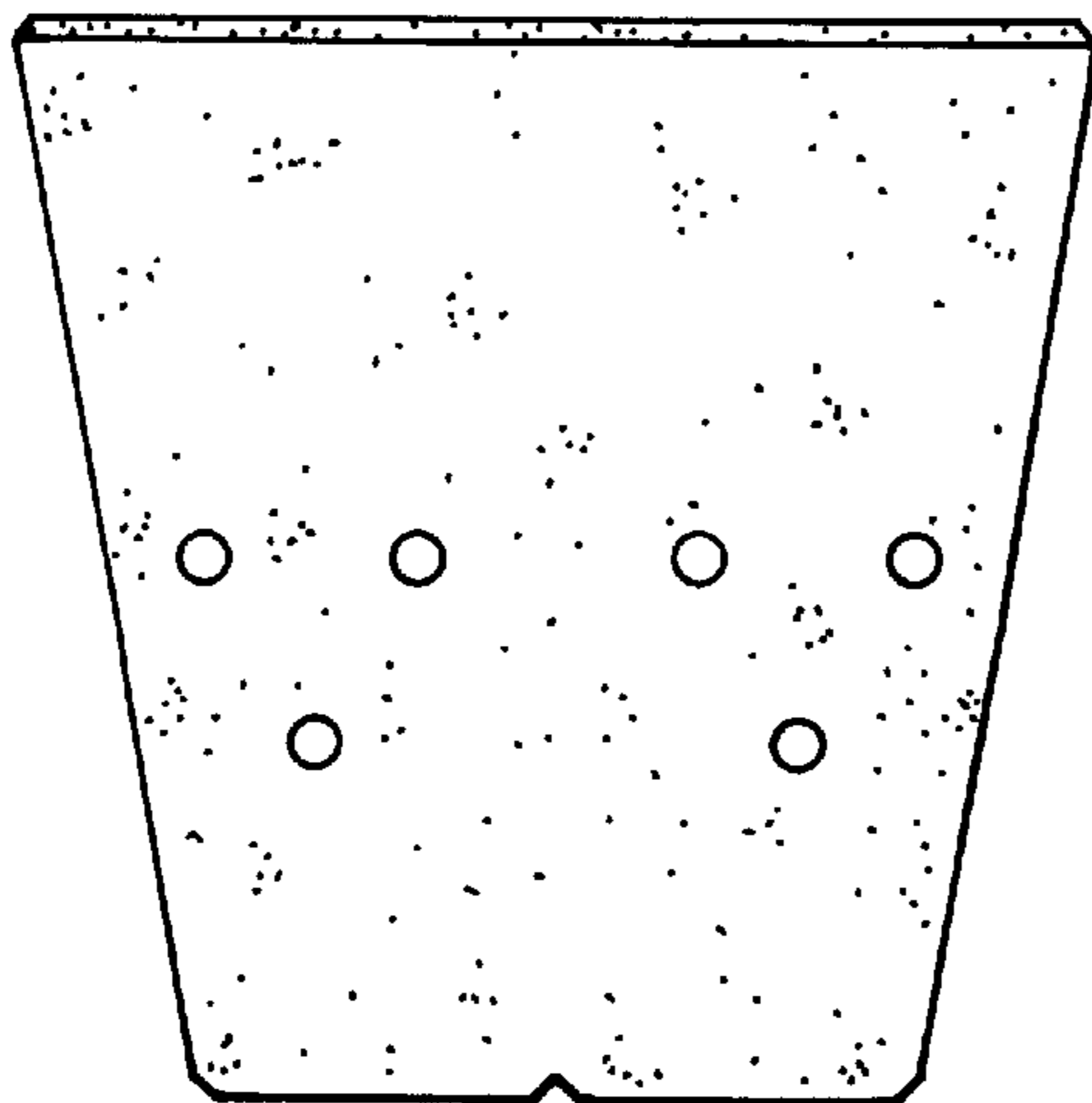
*Fig. 9*



*Fig. 10*



*Fig. 11*



*Fig. 12*