



US00D458378S

(12) **United States Design Patent**
Bevington

(10) **Patent No.:** **US D458,378 S**

(45) **Date of Patent:** **** Jun. 4, 2002**

(54) **DENTAL COLOR MATCHER**

(75) Inventor: **Dale Bevington**, London (GB)

(73) Assignee: **Dentpark Limited**, Leeds (GB)

(**) Term: **14 Years**

(21) Appl. No.: **29/146,634**

(22) Filed: **Aug. 13, 2001**

(30) **Foreign Application Priority Data**

Feb. 13, 2001 (GB) 2099461

(51) **LOC (7) Cl.** **24-01**

(52) **U.S. Cl.** **D24/177**

(58) **Field of Search** D24/176, 177;
433/26, 29, 203.1, 215; 356/402, 405, 406,
408; 364/413.28

(56) **References Cited**

U.S. PATENT DOCUMENTS

D392,878 S * 3/1998 Nordstrom et al. D24/177 X

6,244,863 B1 * 6/2001 Rawicz et al. 433/26

6,305,933 B1 * 10/2001 Lahmann 433/26

* cited by examiner

Primary Examiner—Antoine Duval Davis

(74) *Attorney, Agent, or Firm*—Salter & Michaelson

(57) **CLAIM**

The ornamental design for a dental color matcher, as shown and described.

DESCRIPTION

FIG. 1 is a perspective view of a dental color matcher showing my new design;

FIG. 2 is a left side elevational view thereof;

FIG. 3 is a right side elevational view thereof;

FIG. 4 is a front elevational view thereof;

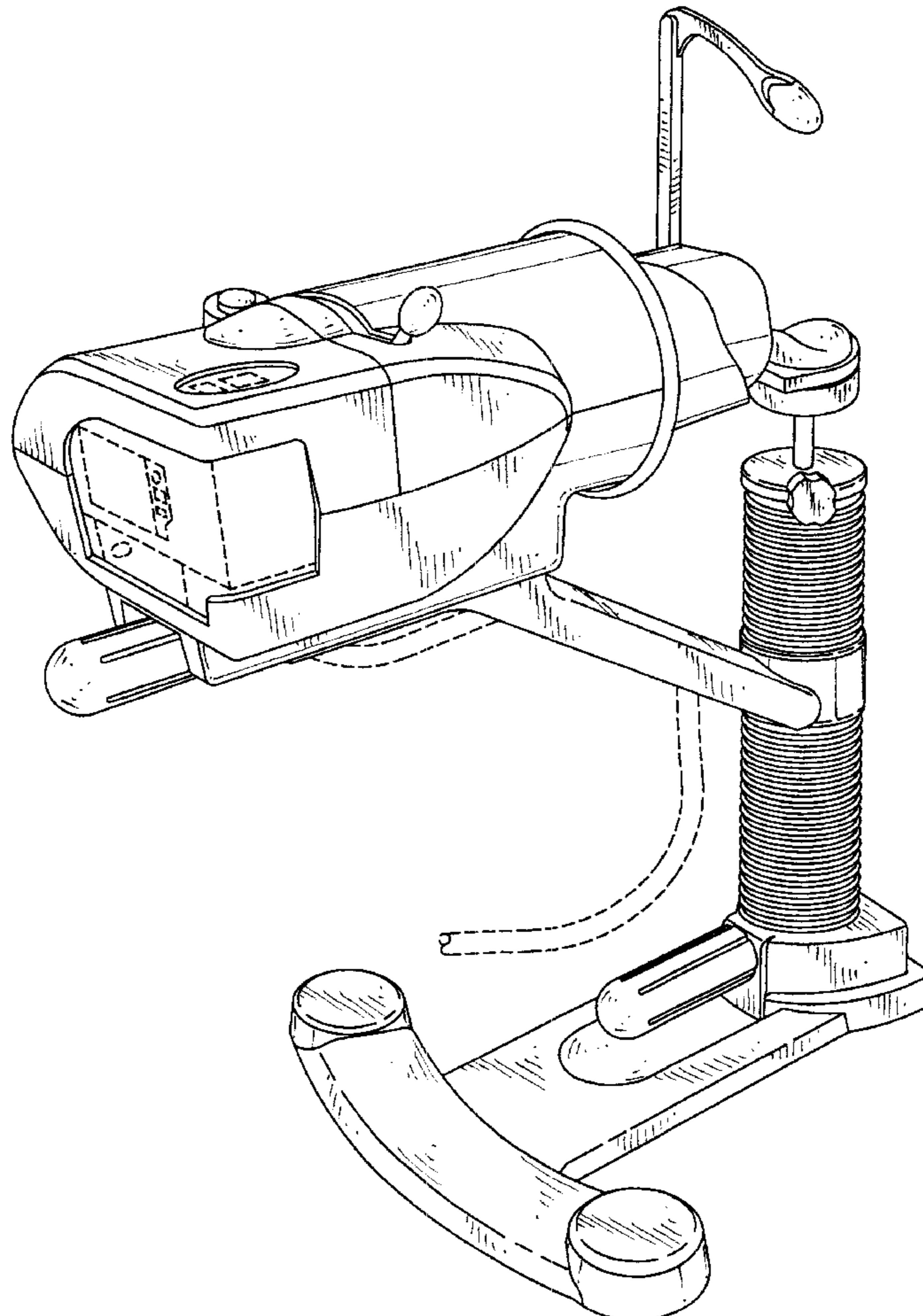
FIG. 5 is a rear elevational view thereof;

FIG. 6 is a top plan view thereof; and,

FIG. 7 is a bottom plan view thereof.

The portions shown in broken lines are included for illustrative purposes only and form no part of the claimed design.

1 Claim, 7 Drawing Sheets



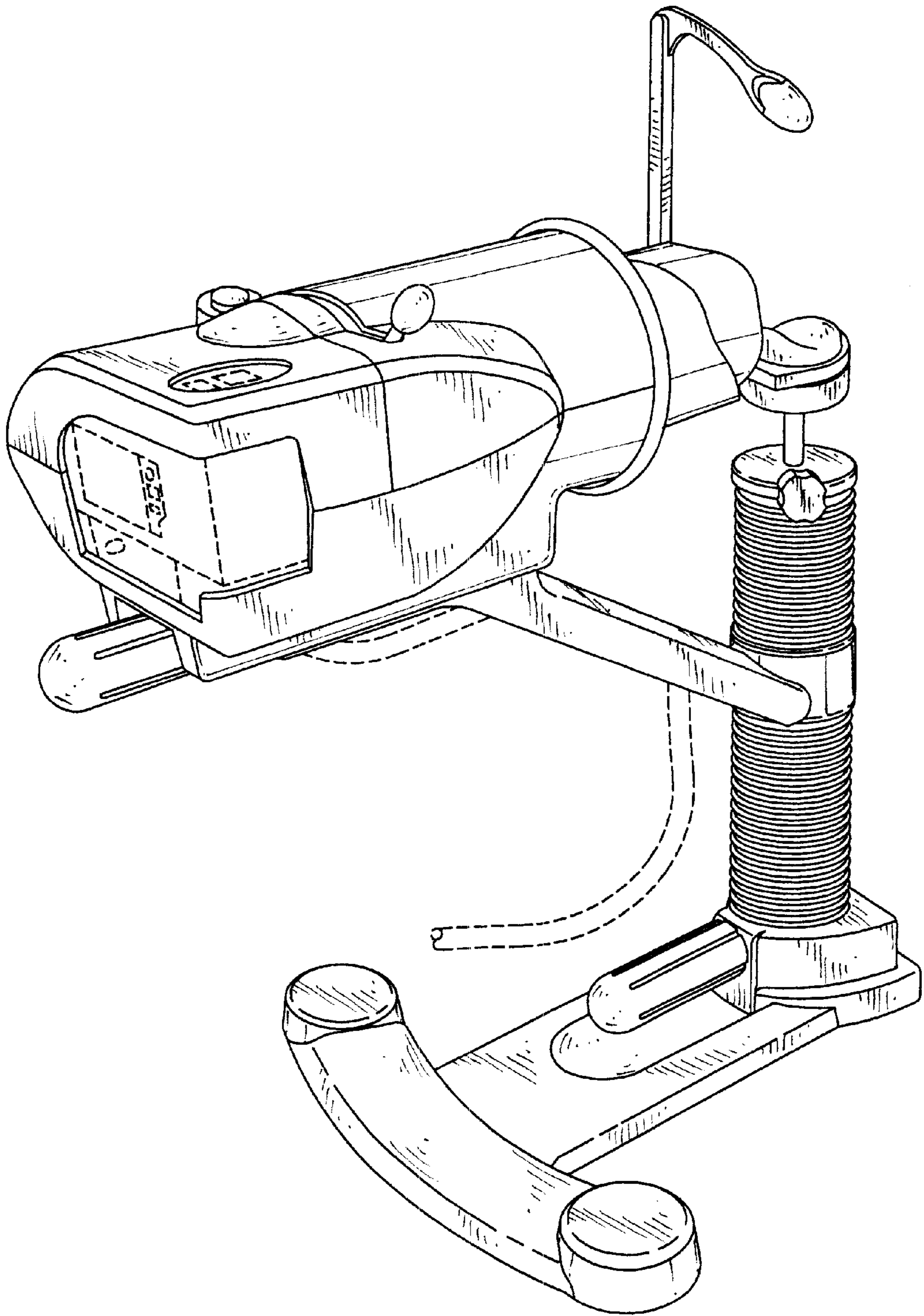


FIG. 1

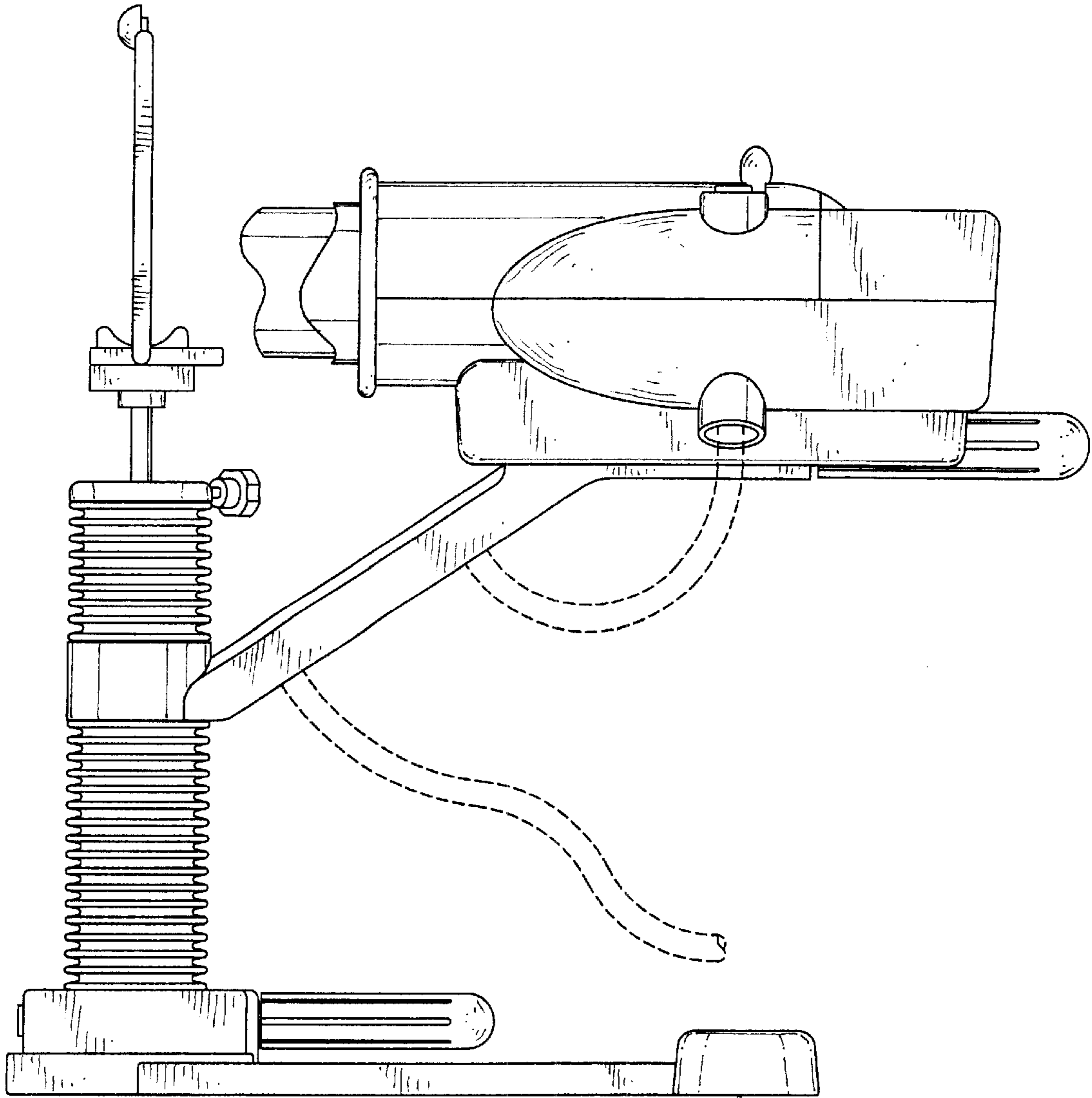


FIG. 2

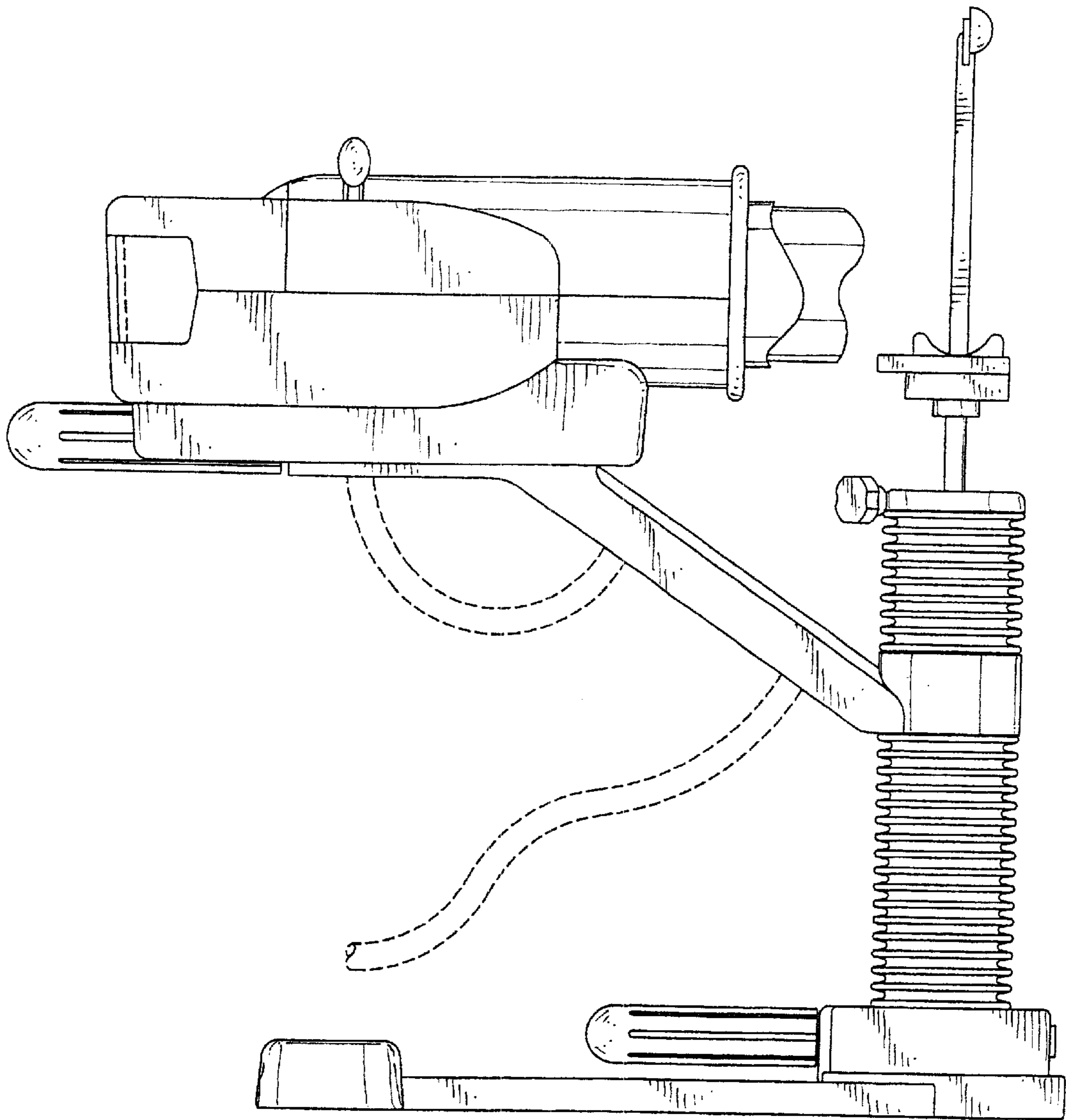


FIG. 3

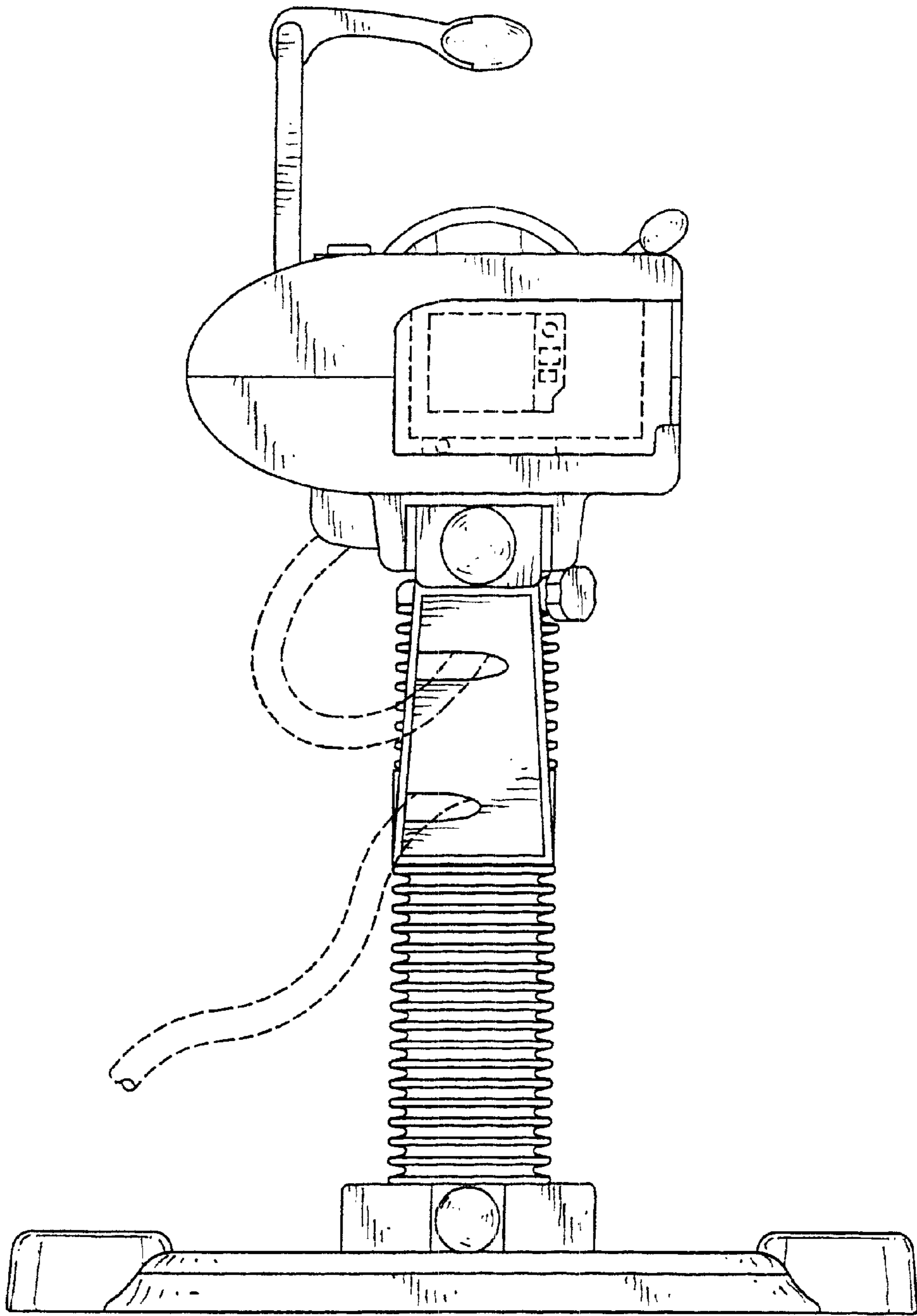


FIG. 4

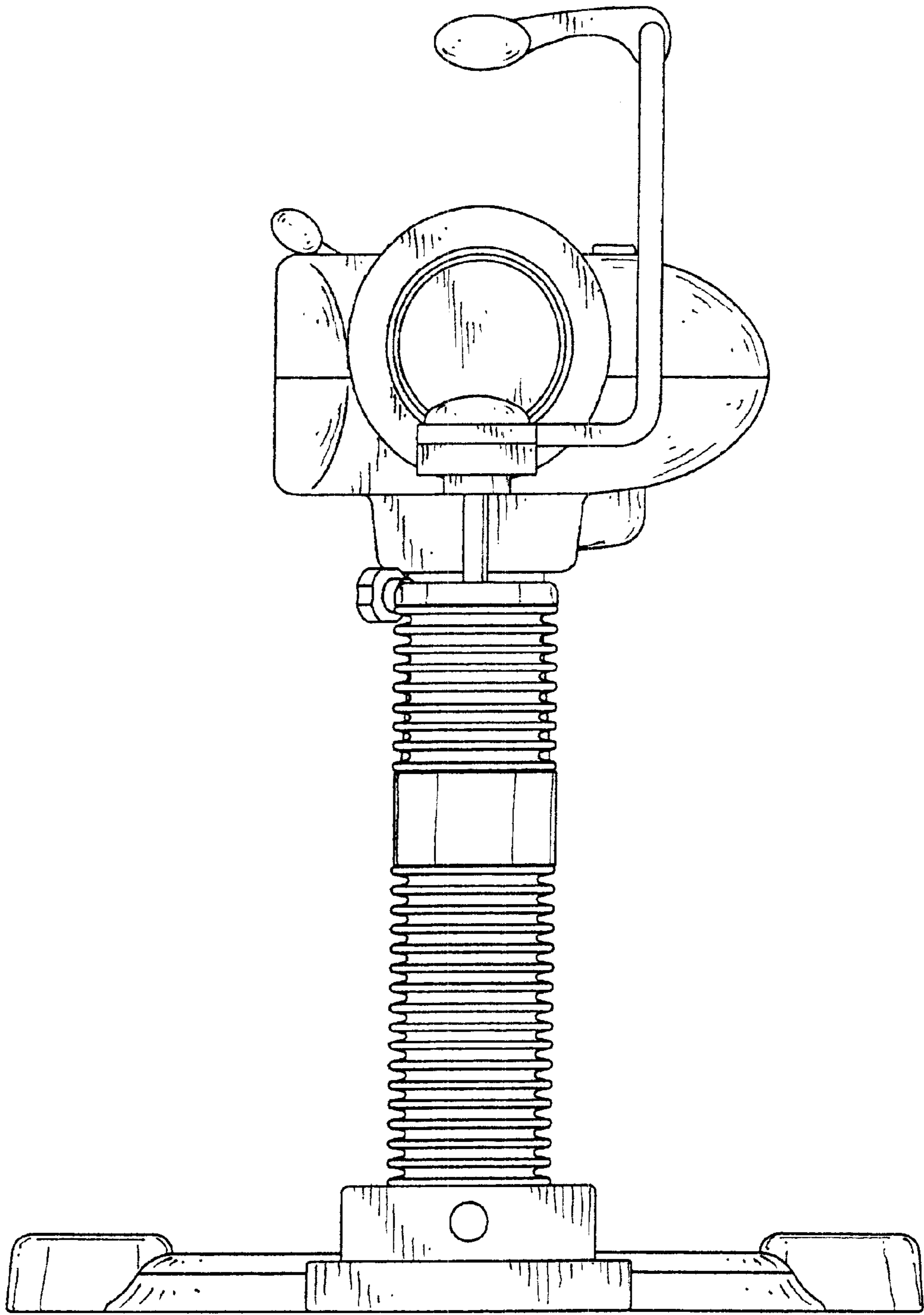


FIG. 5

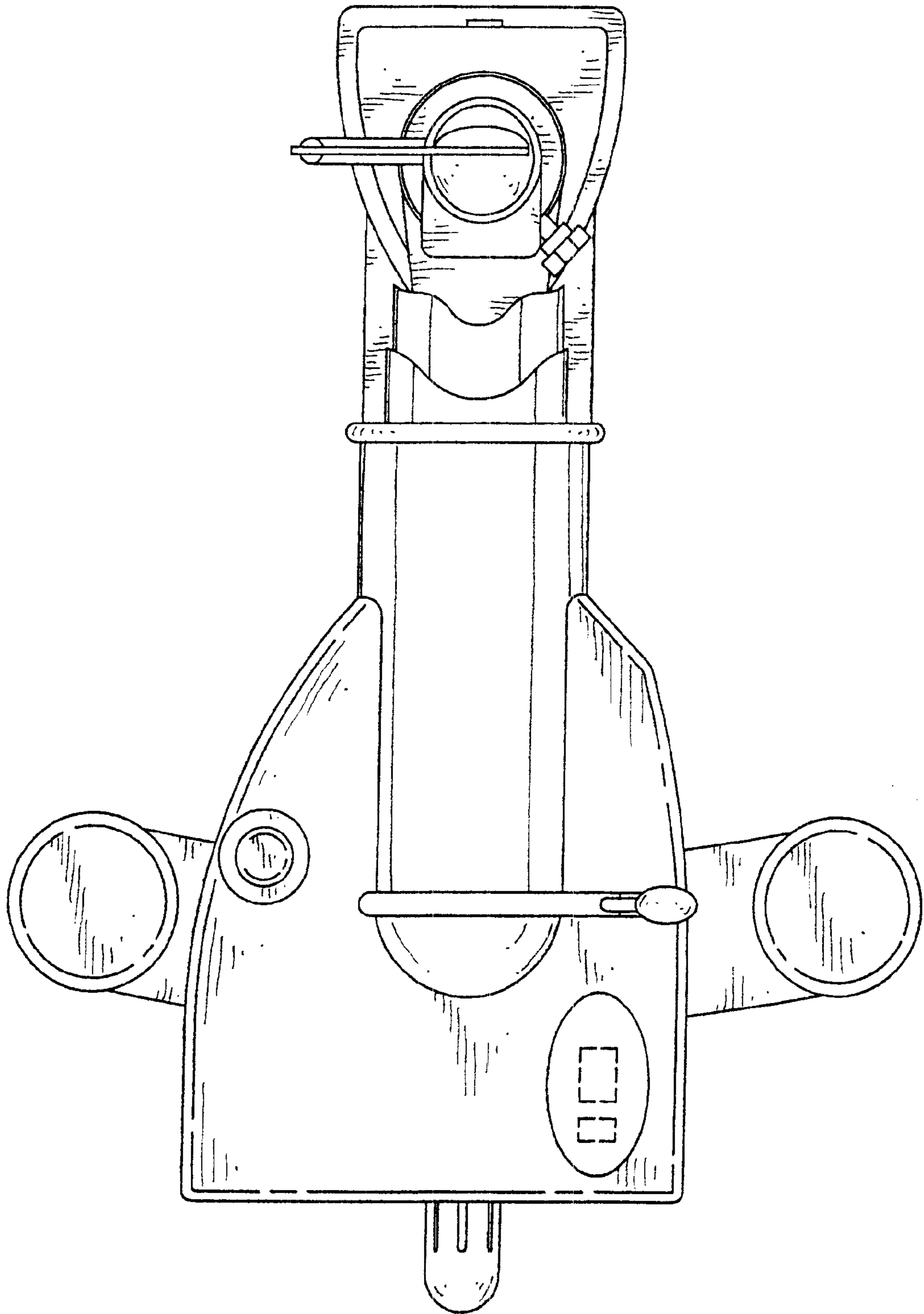


FIG. 6

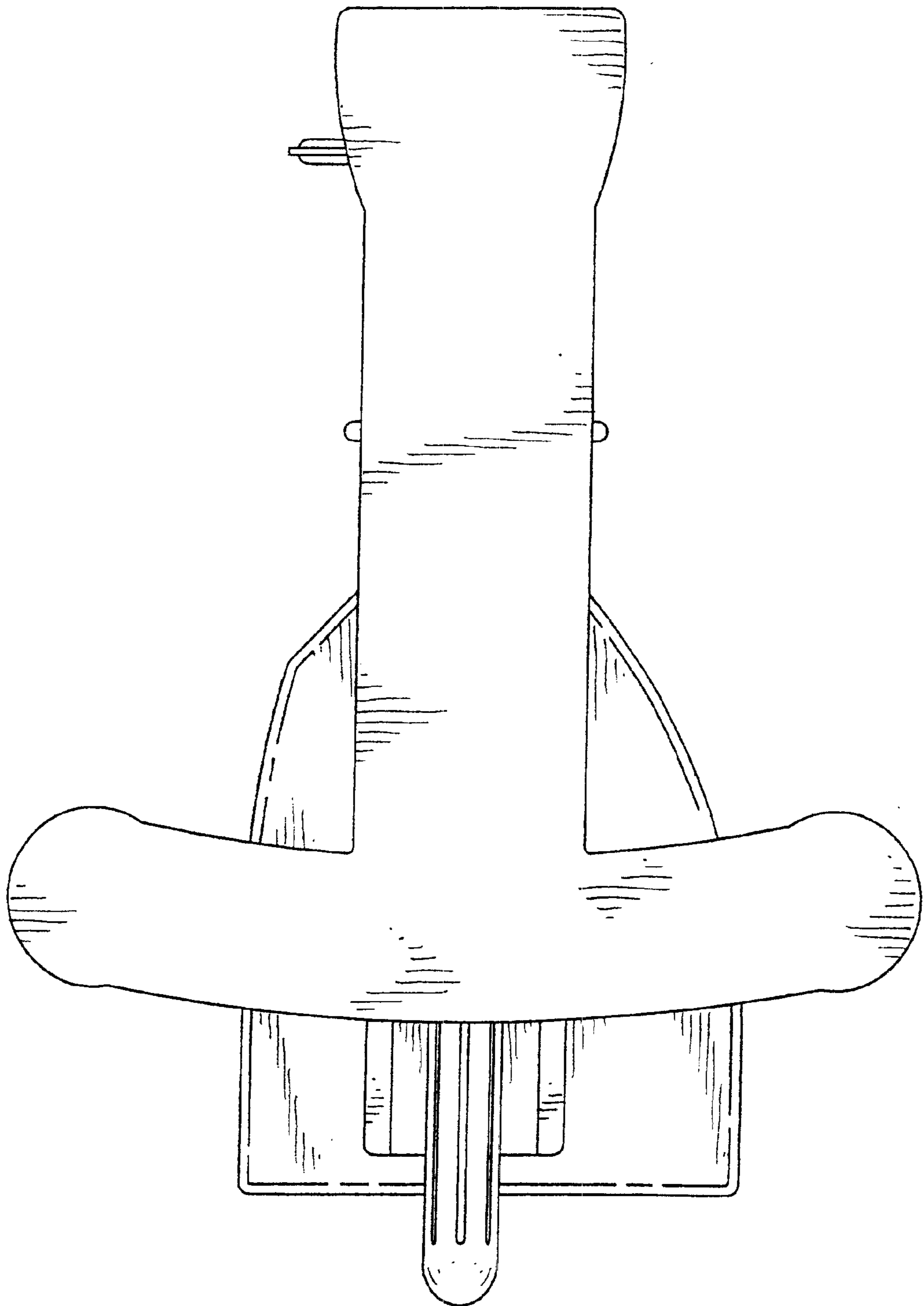


FIG. 7