



US00D458375S

(12) **United States Design Patent**
Thede

(10) **Patent No.:** **US D458,375 S**

(45) **Date of Patent:** **** Jun. 4, 2002**

(54) **BLOOD PRESSURE SENSOR**

5,697,376 A * 12/1997 Nomura et al. 600/300
D438,970 S * 3/2001 TerMeer et al. D24/165

(75) Inventor: **Roger C. Thede**, Afton, MN (US)

* cited by examiner

(73) Assignee: **Medwave, Inc.**, Arden Hills, MN (US)

Primary Examiner—Stella Reid

(**) Term: **14 Years**

(74) *Attorney, Agent, or Firm*—Kinney & Lange, P.A.

(21) Appl. No.: **29/134,383**

(57) **CLAIM**

(22) Filed: **Dec. 19, 2000**

The ornamental design for a blood pressure sensor, as shown and described.

(51) **LOC (7) Cl.** **24-01**

DESCRIPTION

(52) **U.S. Cl.** **D24/165**

FIG. 1 is a perspective view;

(58) **Field of Search** D24/165; 600/481,
600/485, 490, 491, 492, 493, 494, 495,
496, 500, 499, 300

FIG. 2 is a front elevational view;

FIG. 3 is a rear elevational view;

FIG. 4 is a right side view;

FIG. 5 is a left side view;

FIG. 6 is a top view; and,

FIG. 7 is a bottom plan view.

(56) **References Cited**

The broken line showing in the claim is for illustrative purposes only and forms no part of the claimed design.

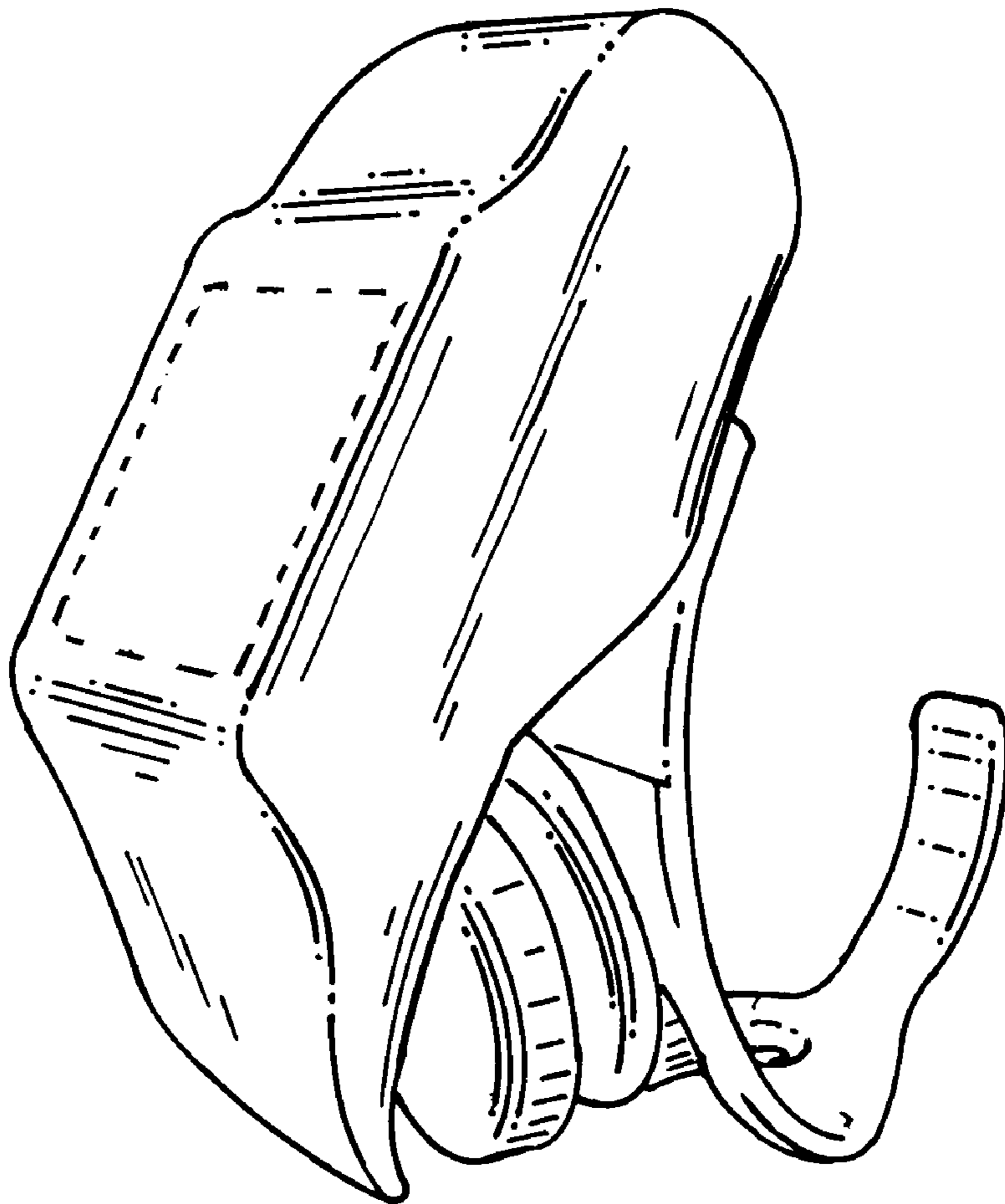
U.S. PATENT DOCUMENTS

3,935,984 A * 2/1976 Lichowsky 600/499

D298,167 S * 10/1988 Schaffer et al. D24/165

D341,658 S * 11/1993 Kojima D24/165

1 Claim, 4 Drawing Sheets



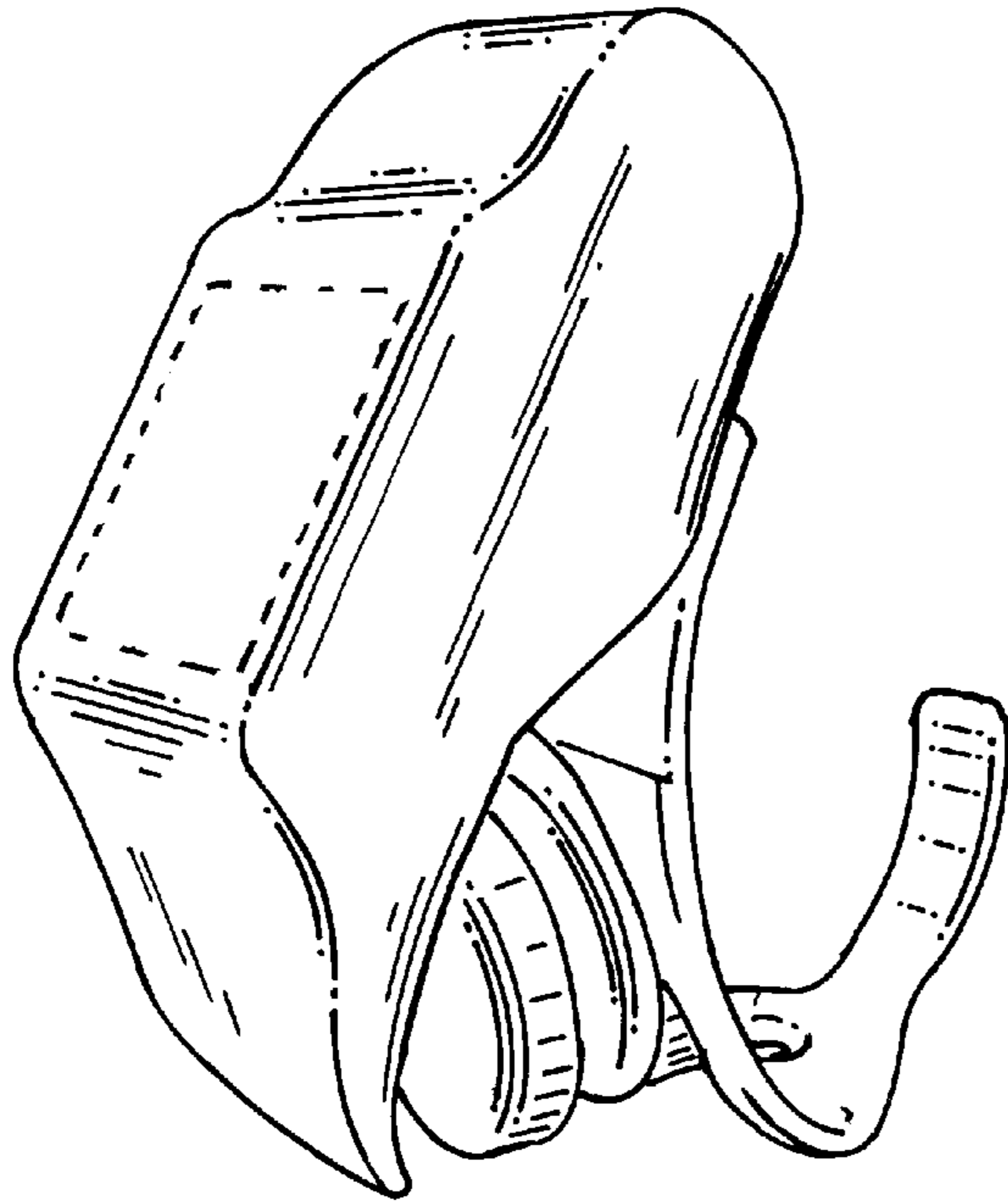


FIG. 1

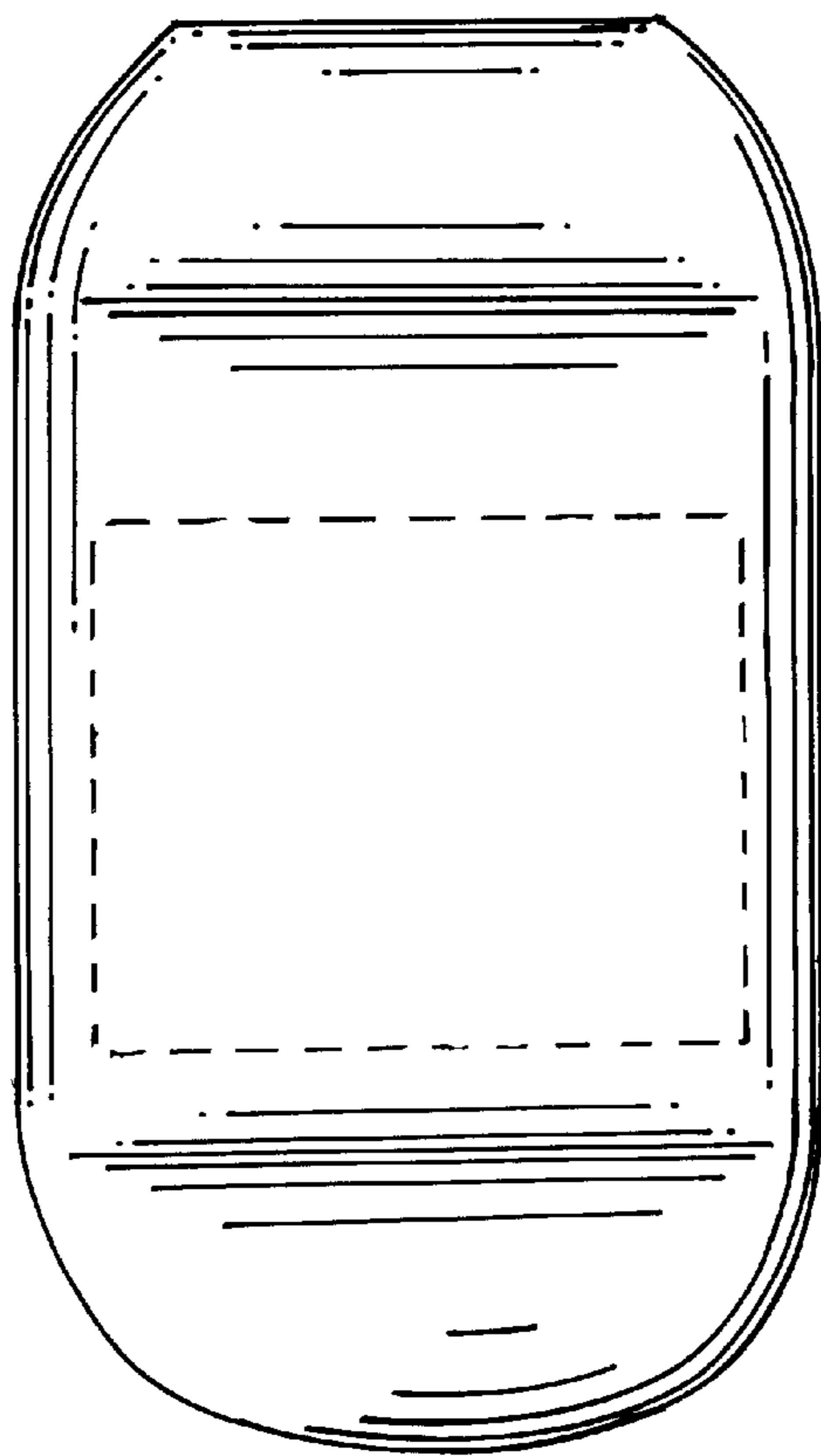


FIG. 2

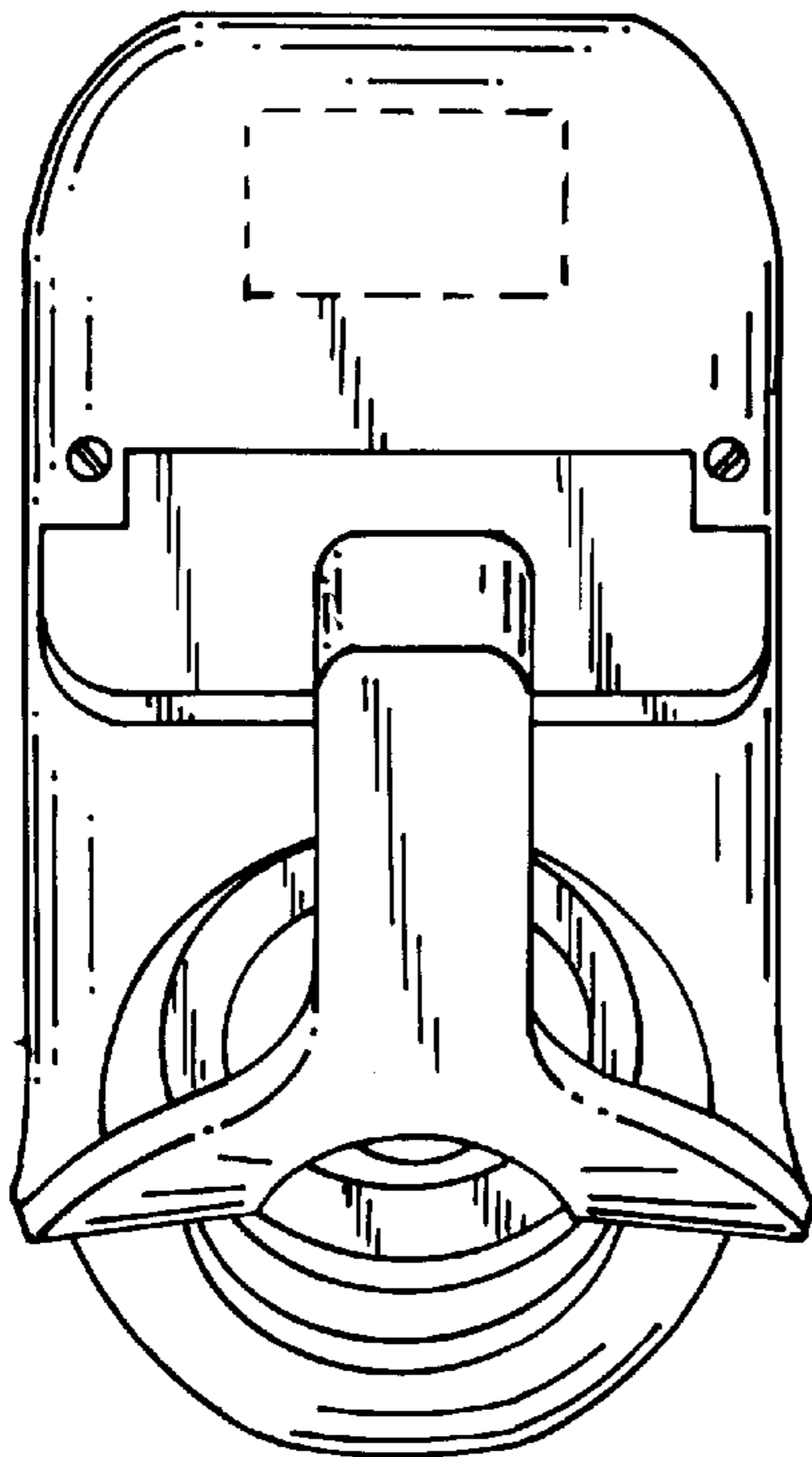


FIG. 3

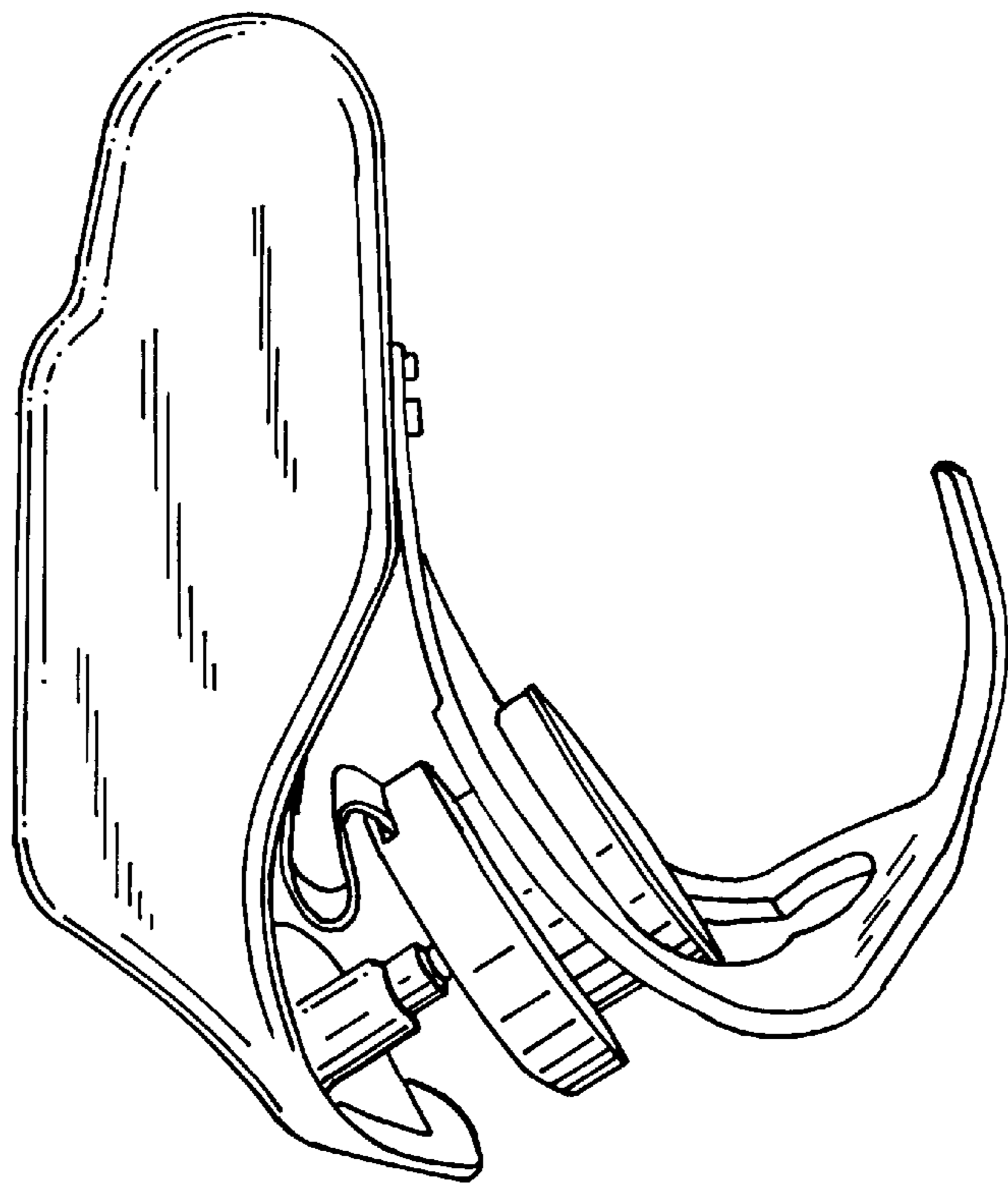


FIG. 4

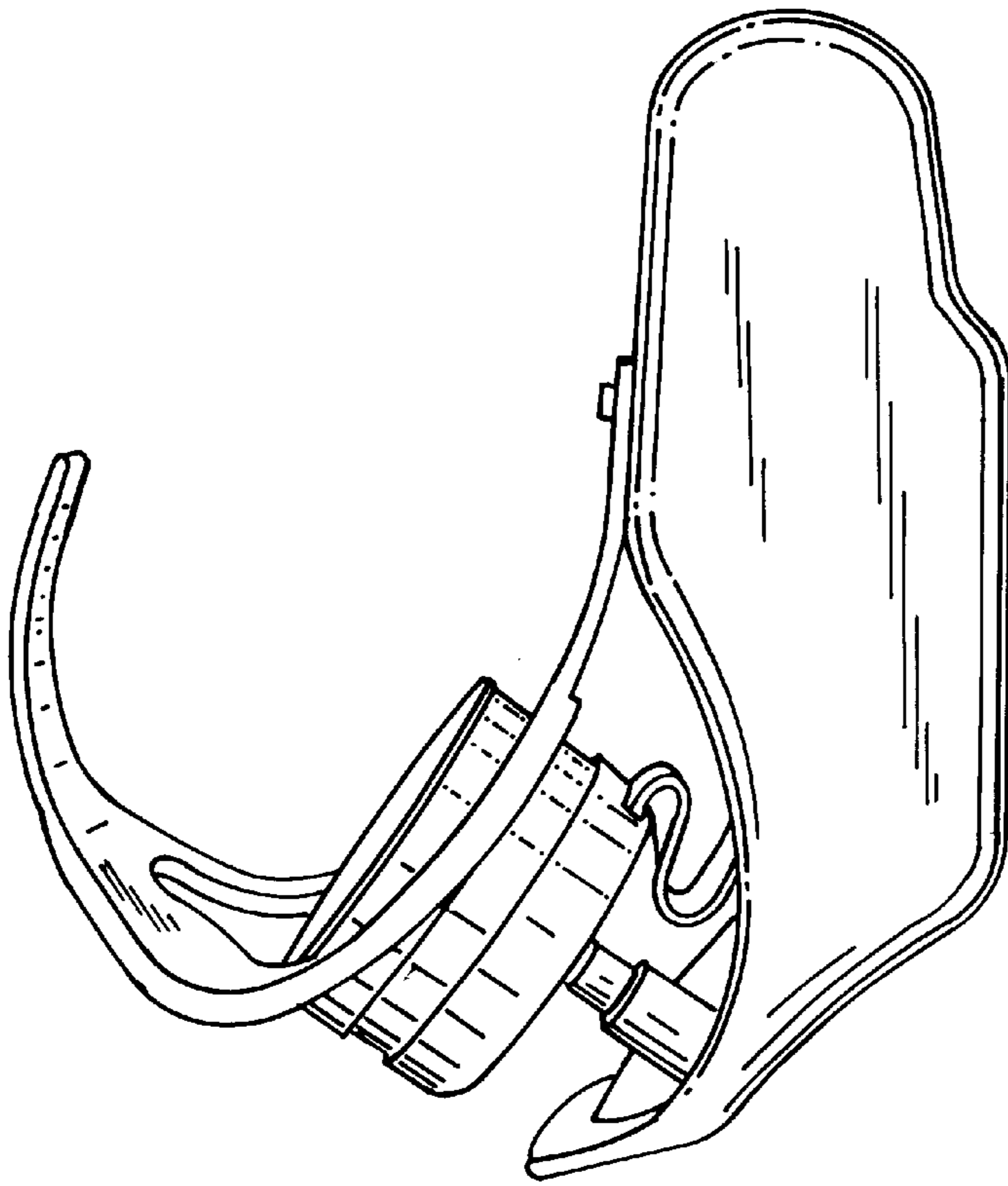


FIG. 5

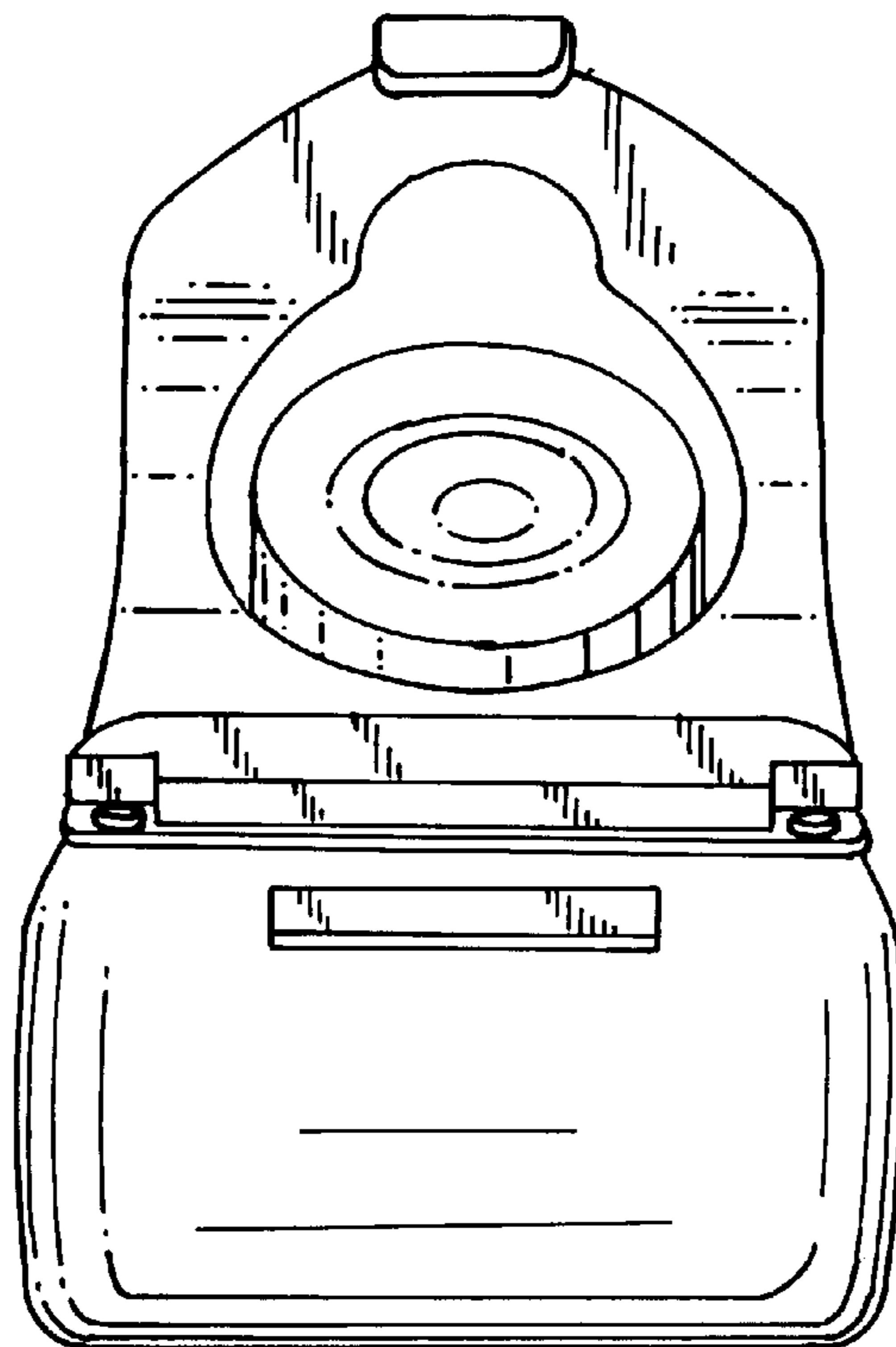


FIG. 6

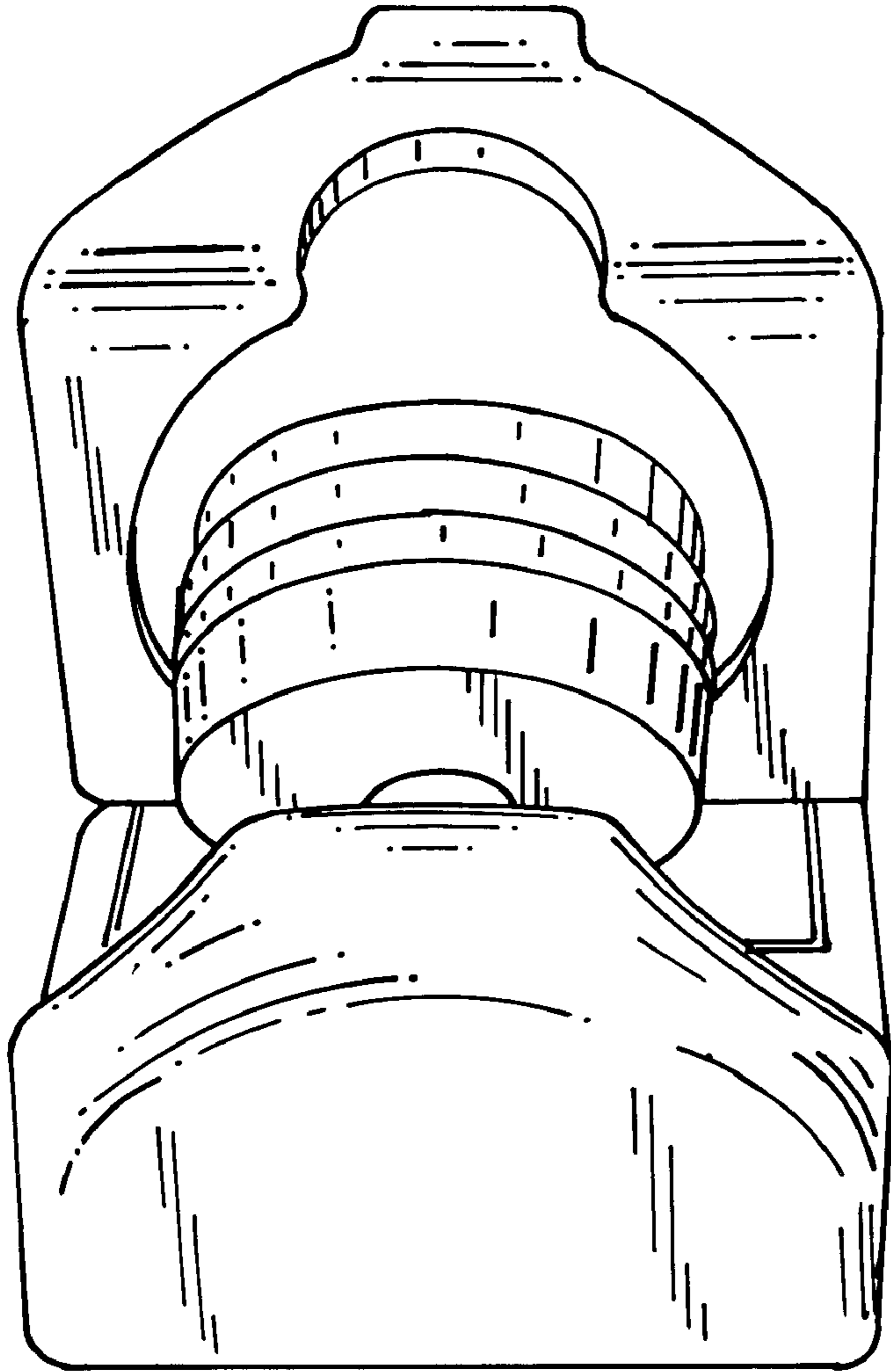


FIG. 7