



US00D458373S

(12) **United States Design Patent**
Jackson

(10) **Patent No.:** **US D458,373 S**

(45) **Date of Patent:** **** Jun. 4, 2002**

(54) **INTERBODY SPINAL IMPLANT**

(76) **Inventor:** **Roger P. Jackson**, 6600 Indian La.,
Mission Hills, KS (US) 66208

(**) **Term:** **14 Years**

(21) **Appl. No.:** **29/129,806**

(22) **Filed:** **Sep. 21, 2000**

(51) **LOC (7) Cl.** **24-03**

(52) **U.S. Cl.** **D24/155**

(58) **Field of Search** D24/155; 606/61,
606/73; 623/16, 17, 18

(56) **References Cited**

U.S. PATENT DOCUMENTS

5,458,638 A	10/1995	Kuslich et al.	
5,489,308 A	2/1996	Kuslich et al.	
5,609,636 A	3/1997	Kohrs et al.	
5,658,337 A	8/1997	Kohrs et al.	
5,665,122 A	9/1997	Kambin	
5,669,909 A	9/1997	Zdeblick et al.	
5,782,919 A	7/1998	Zdeblick et al.	
D397,439 S	* 8/1998	Koros et al.	D24/155

5,865,847 A	2/1999	Kohrs et al.	
5,904,719 A	5/1999	Errico et al.	
6,123,705 A	9/2000	Michelson	
6,206,922 B1	3/2001	Zdeblick et al.	
6,245,072 B1 *	6/2001	Zdeblick et al.	606/61

* cited by examiner

Primary Examiner—Antoine Duval Davis

(74) *Attorney, Agent, or Firm*—John C. McMahon

(57) **CLAIM**

The ornamental design for a interbody spinal implant, as shown and described.

DESCRIPTION

FIG. 1 is a perspective view of an interbody spinal implant in accordance with the invention;
FIG. 2 is a front elevational view of the implant;
FIG. 3 is a first side elevational view of the implant with the second side elevational view being a mirror image thereof;
FIG. 4 is a rear elevational view of the implant; and,
FIG. 5 is a top plan view of the implant with the bottom plan view being a mirror image thereof.

1 Claim, 1 Drawing Sheet

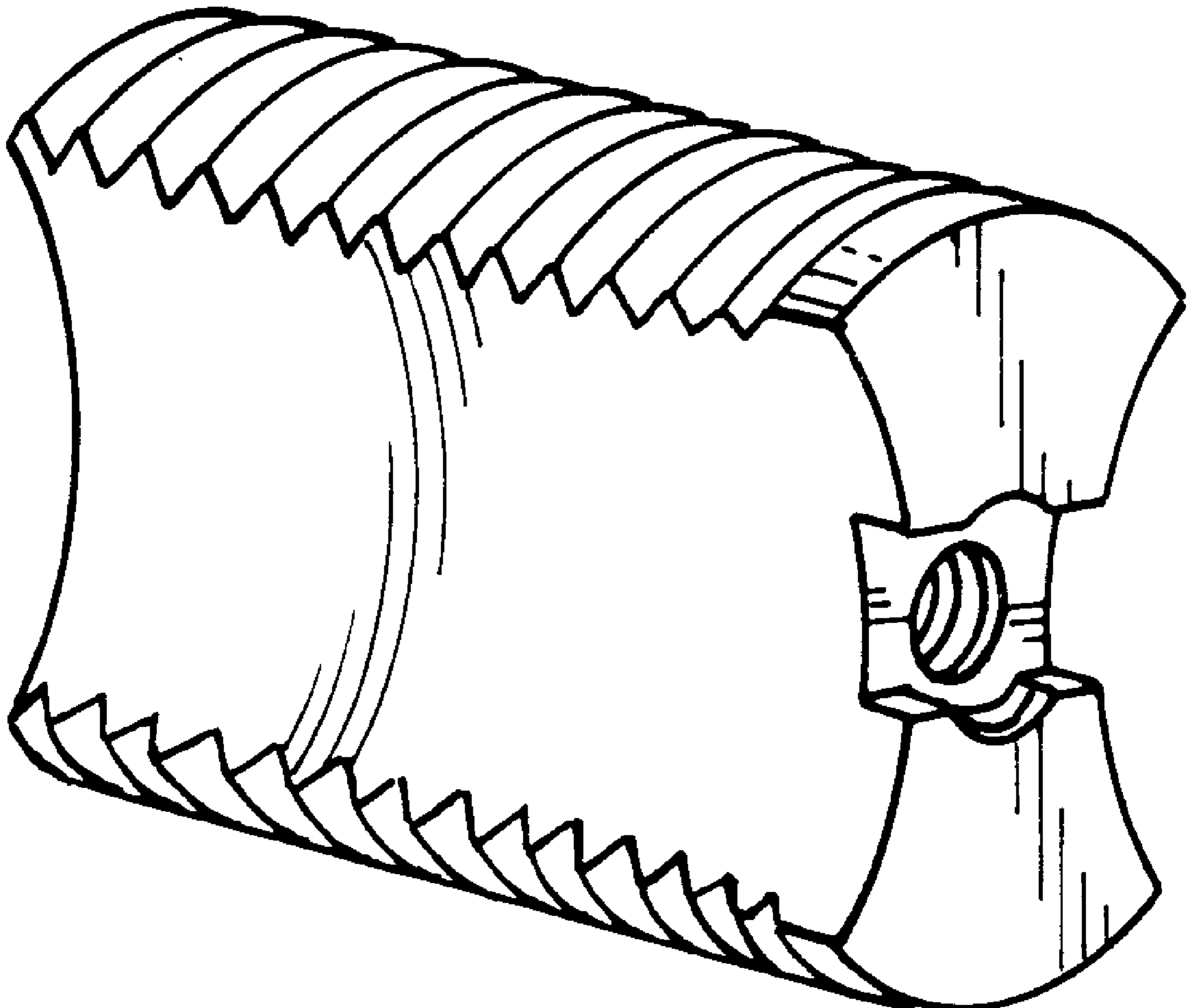


Fig. 1.

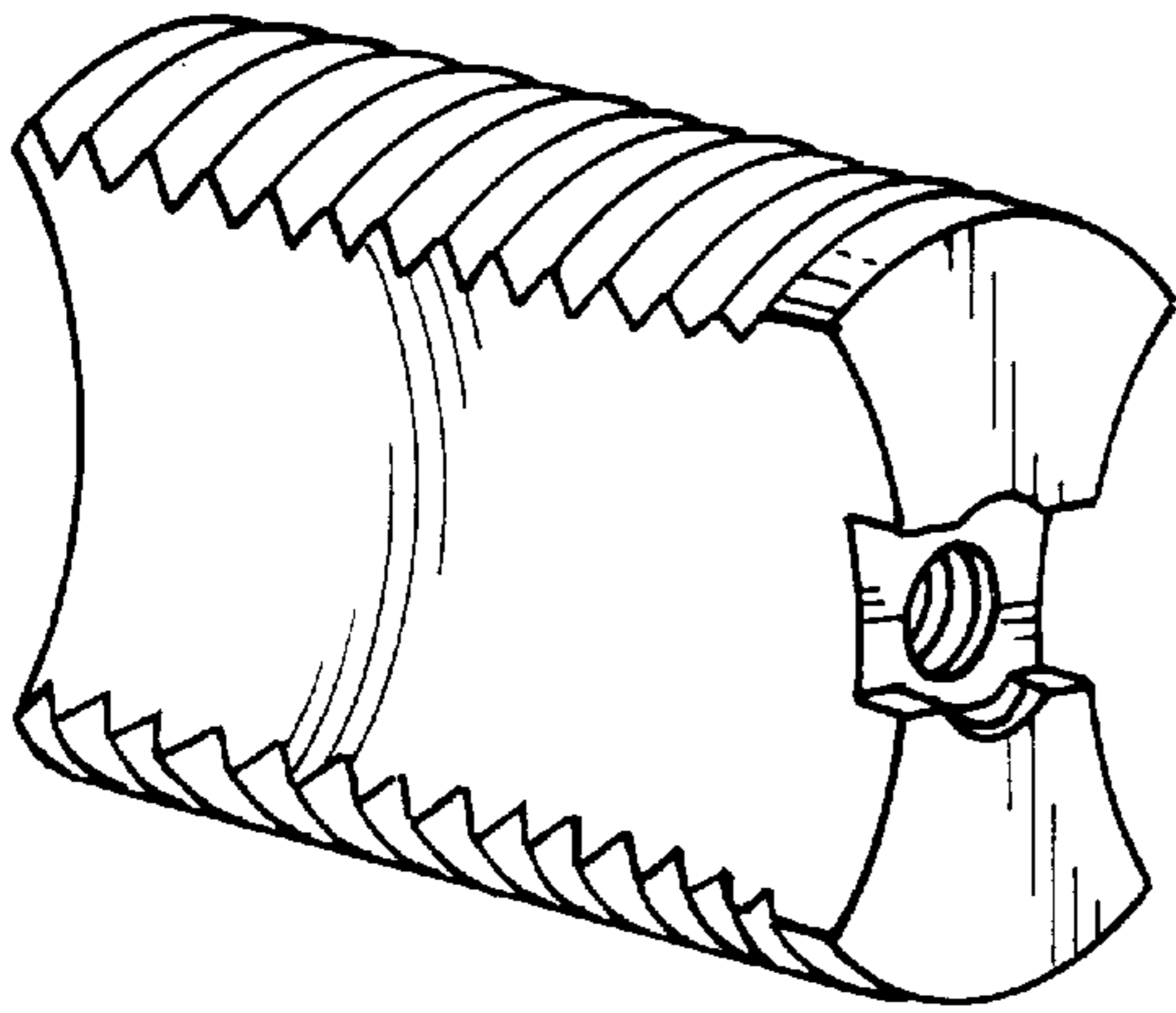


Fig. 2.

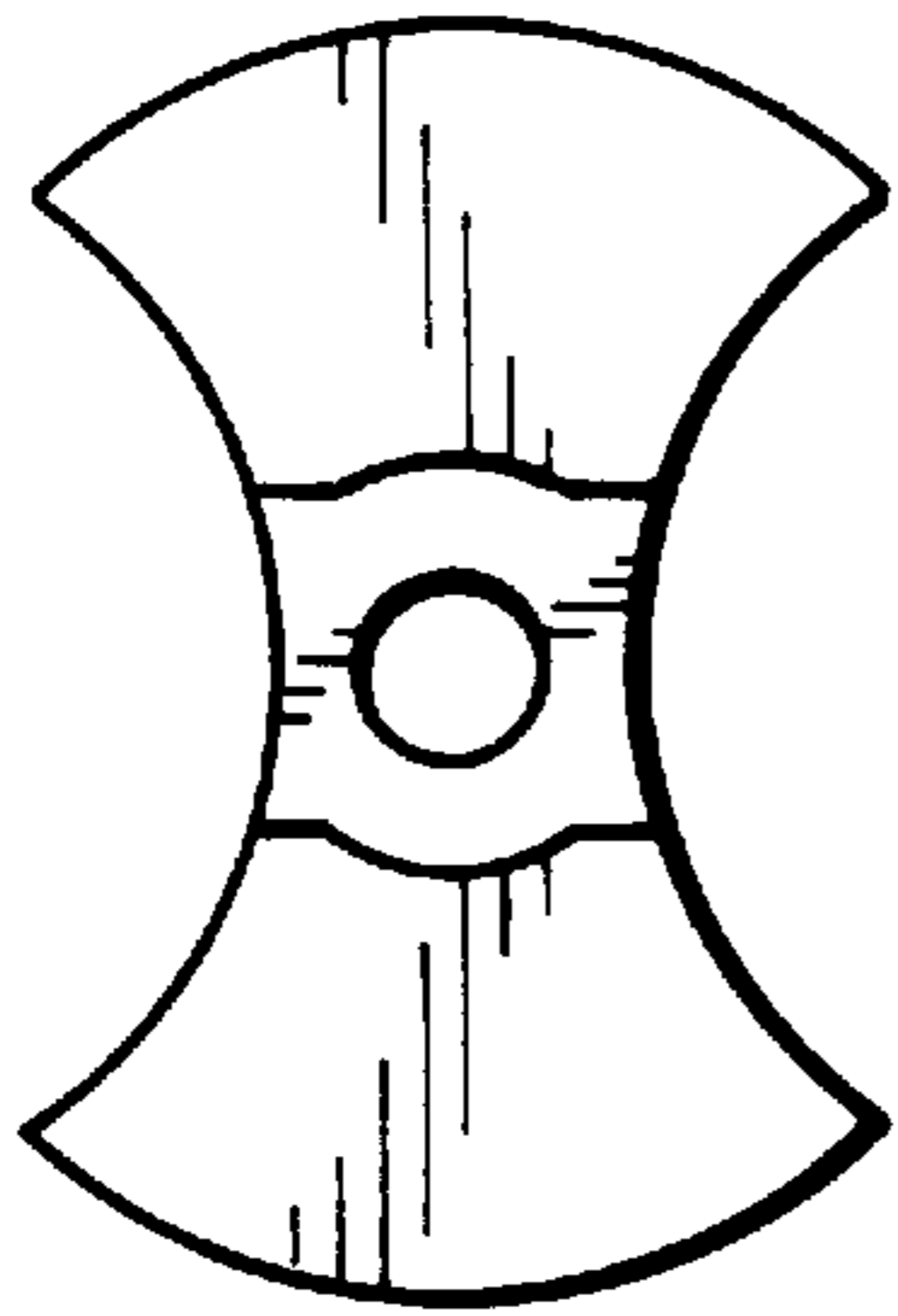


Fig. 3.

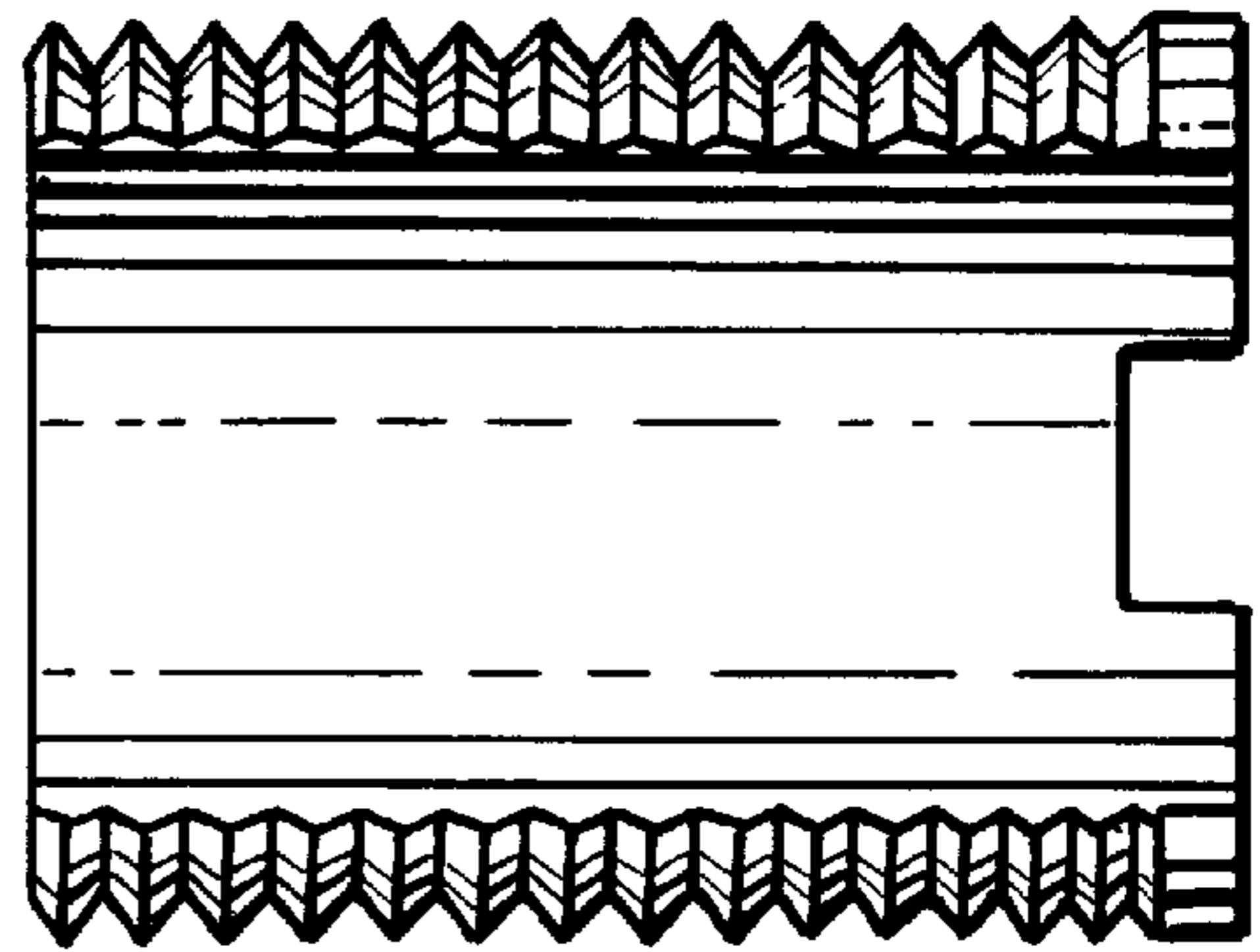


Fig. 4.

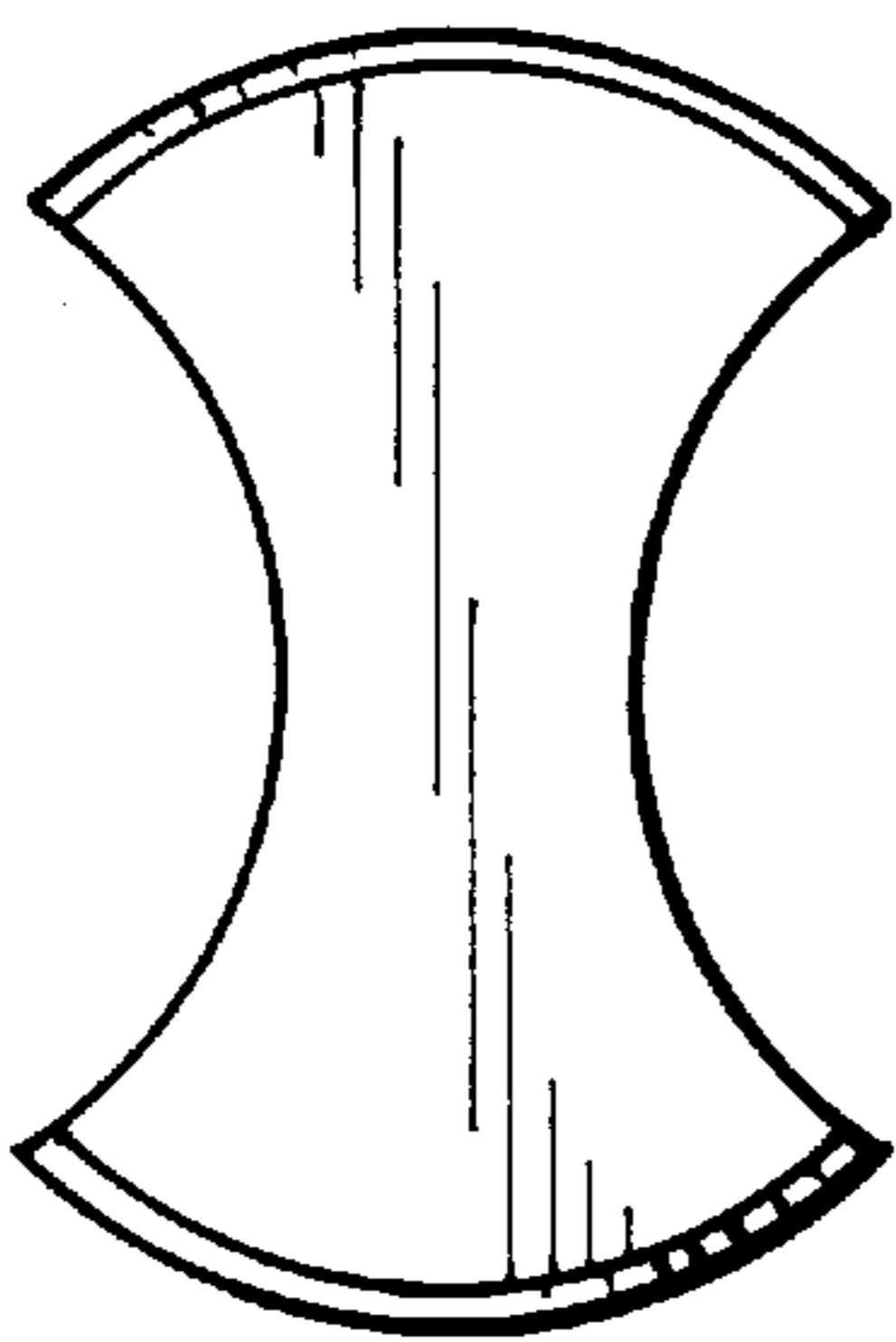


Fig. 5.

