



US00D458369S

(12) **United States Design Patent**
Helmholz et al.

(10) **Patent No.:** **US D458,369 S**

(45) **Date of Patent:** **** Jun. 4, 2002**

(54) **MEDICAL DEVICE USED FOR OPENING A GLASS PROBE AND PREPARING A MEDICAL INJECTION**

6,090,092 A * 7/2000 Fowles et al. 604/413
D447,229 S * 8/2001 Falk D24/133

* cited by examiner

(75) Inventors: **Volker Helmholz; Bernd Gräf**, both of Berlin; **Ingoberth Schönke**, Ulzburg, all of (DE)

Primary Examiner—Ian Simmons

(74) *Attorney, Agent, or Firm*—Fitzpatrick, Cella, Harper & Scinto

(73) Assignee: **Schering AG**, Berlin (DE)

(57) **CLAIM**

(**) Term: **14 Years**

The ornamental design for a medical device used for opening a glass probe and preparing a medical injection, as shown and described.

(21) Appl. No.: **29/140,531**

DESCRIPTION

(22) Filed: **Apr. 20, 2001**

(30) **Foreign Application Priority Data**

Oct. 23, 2000 (DE) 4 00 10 286

(51) **LOC (7) Cl.** **24-03**

(52) **U.S. Cl.** **D24/133; D24/108**

(58) **Field of Search** D24/133, 108, D24/127, 130, 147; 604/232, 403, 415, 82, 83, 87, 414

FIG. 1 is a perspective view from the top and one side of a medical device used for opening a glass probe end and preparing a medical injection showing our new design; FIG. 2 is a top view of the design of FIG. 1; FIG. 3 is an elevational view of the one side of the design of FIG. 1; FIG. 4 is a bottom view of the design of FIG. 1; FIG. 5 is an elevational view of an opposite side of the design of FIG. 1; FIG. 6 is an elevational view of one end of the design of FIG. 1; and, FIG. 7 is an elevational view of an opposite end of the design of FIG. 1.

(56) **References Cited**

U.S. PATENT DOCUMENTS

5,393,497 A * 2/1995 Haber et al. D24/133

5,472,002 A * 12/1995 Michel et al. 604/403

1 Claim, 3 Drawing Sheets

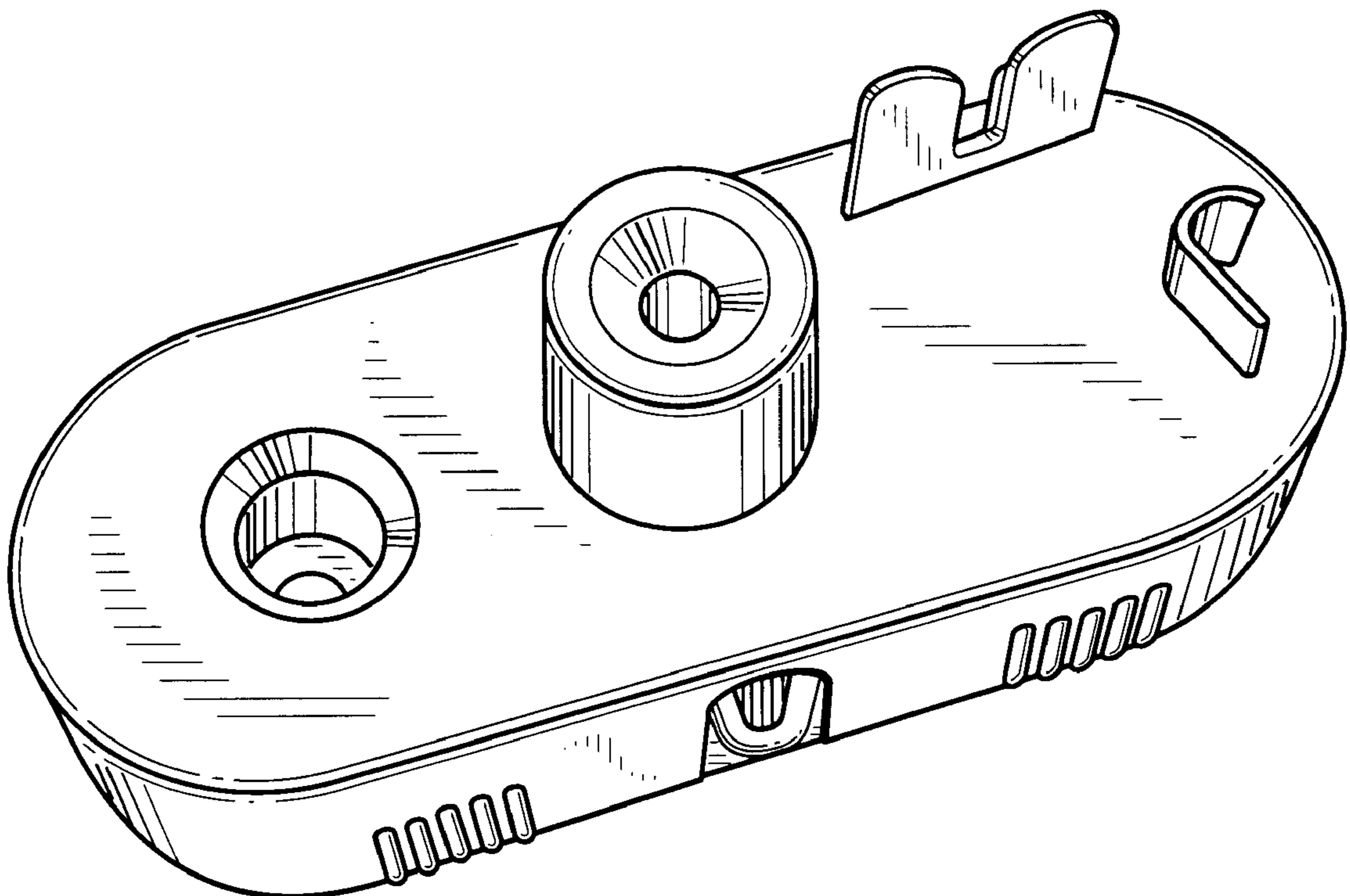


FIG. 1

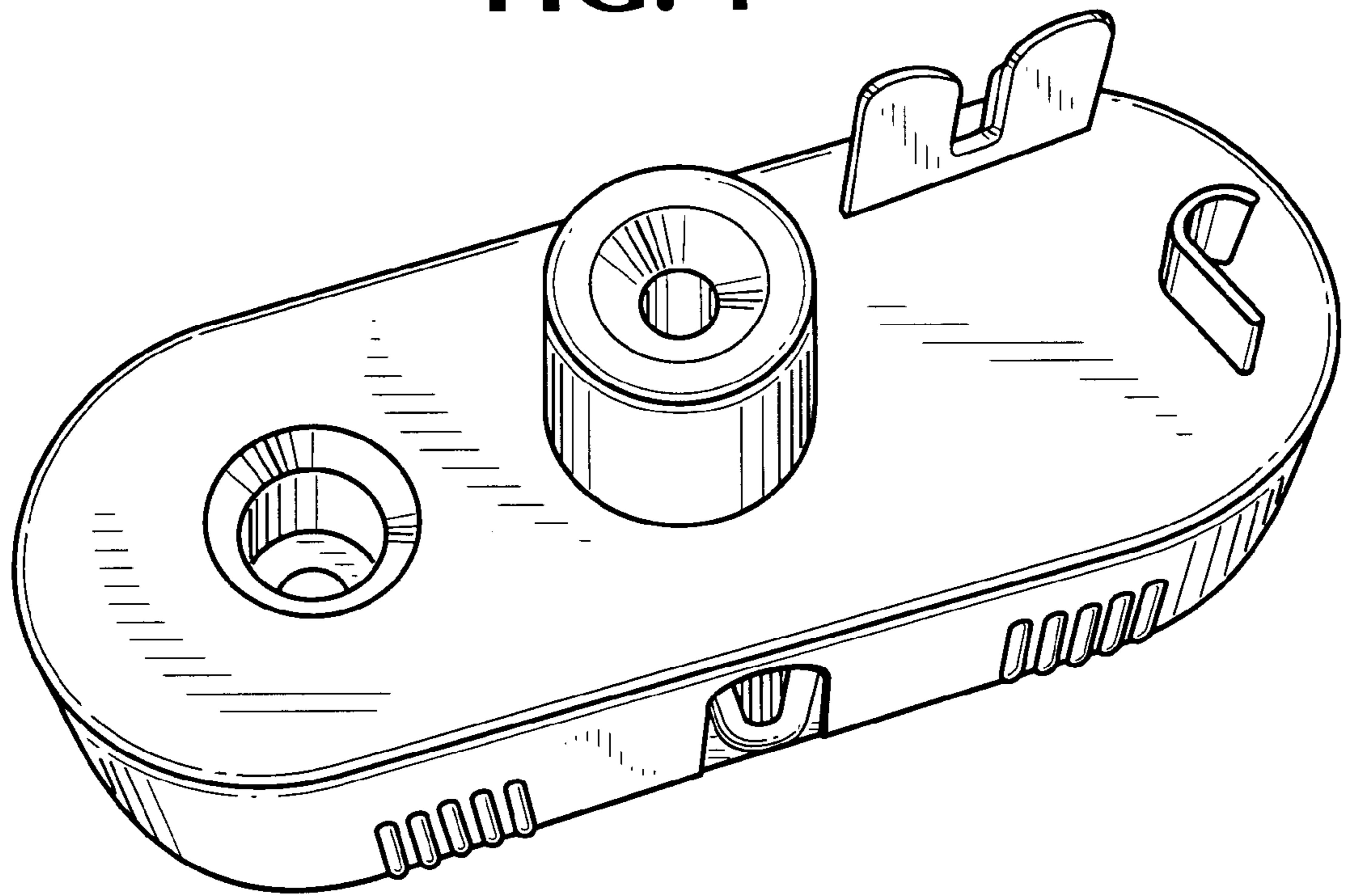


FIG. 2

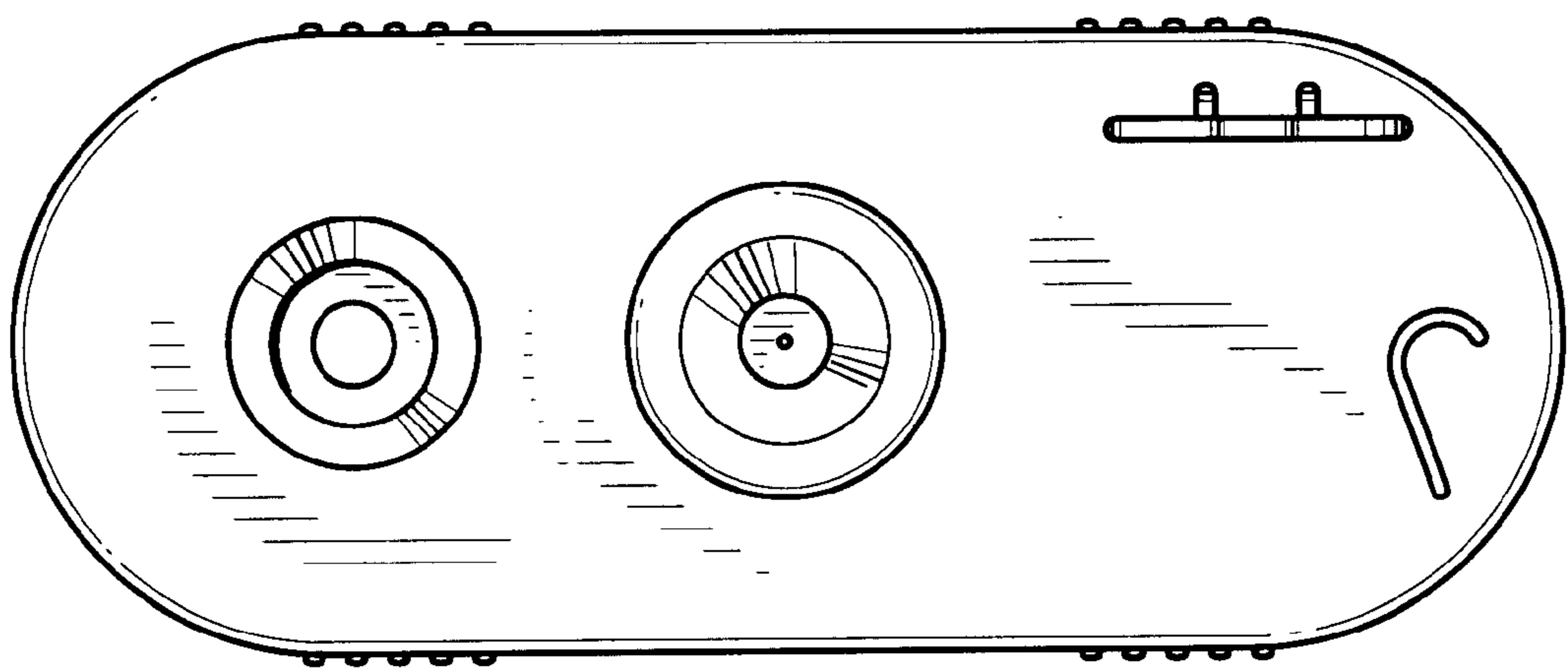


FIG. 3

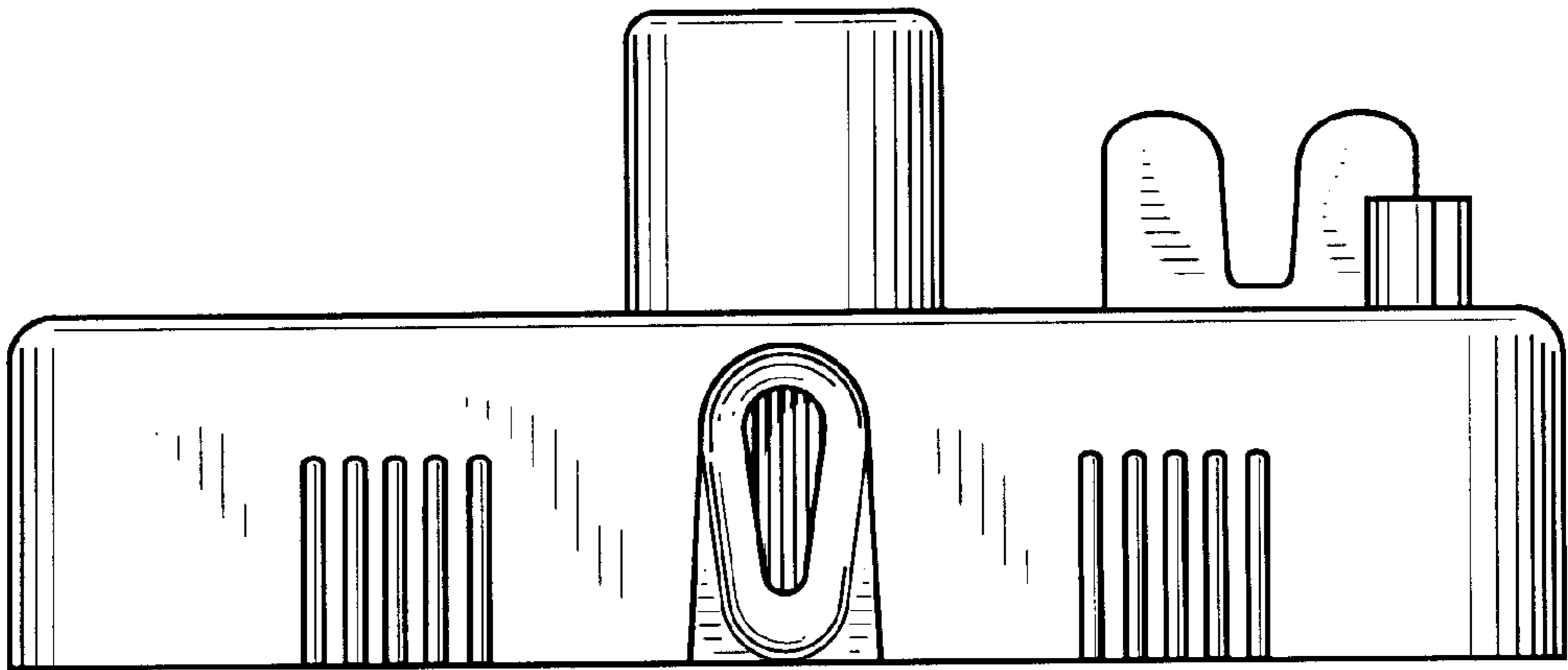


FIG. 4

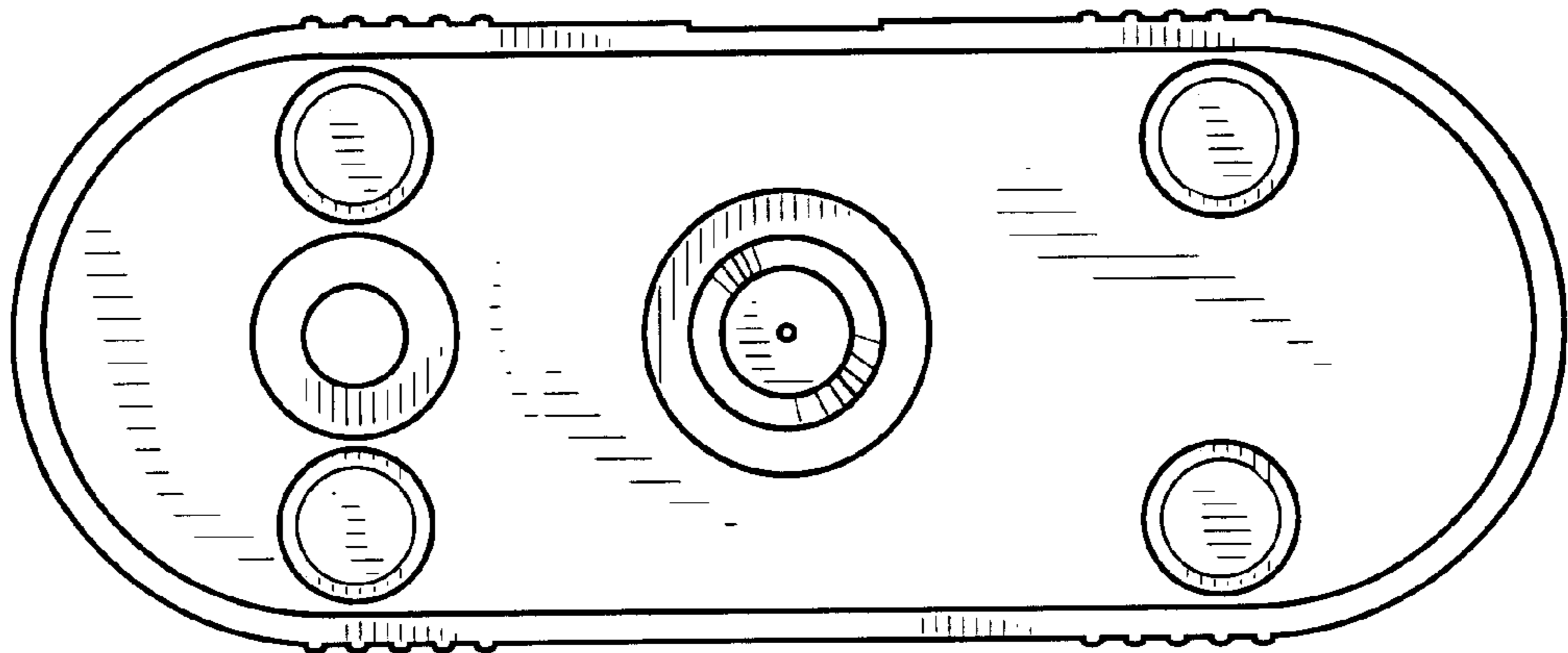


FIG. 5

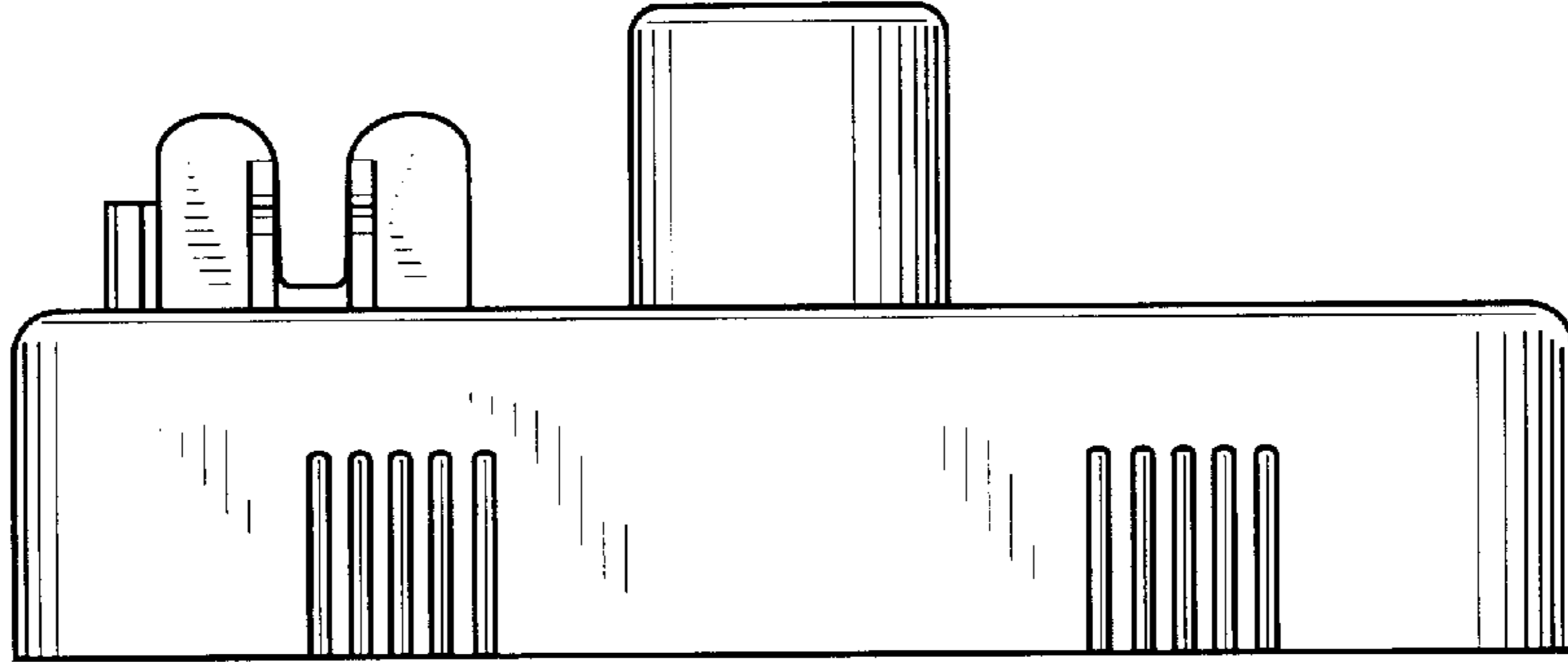


FIG. 6

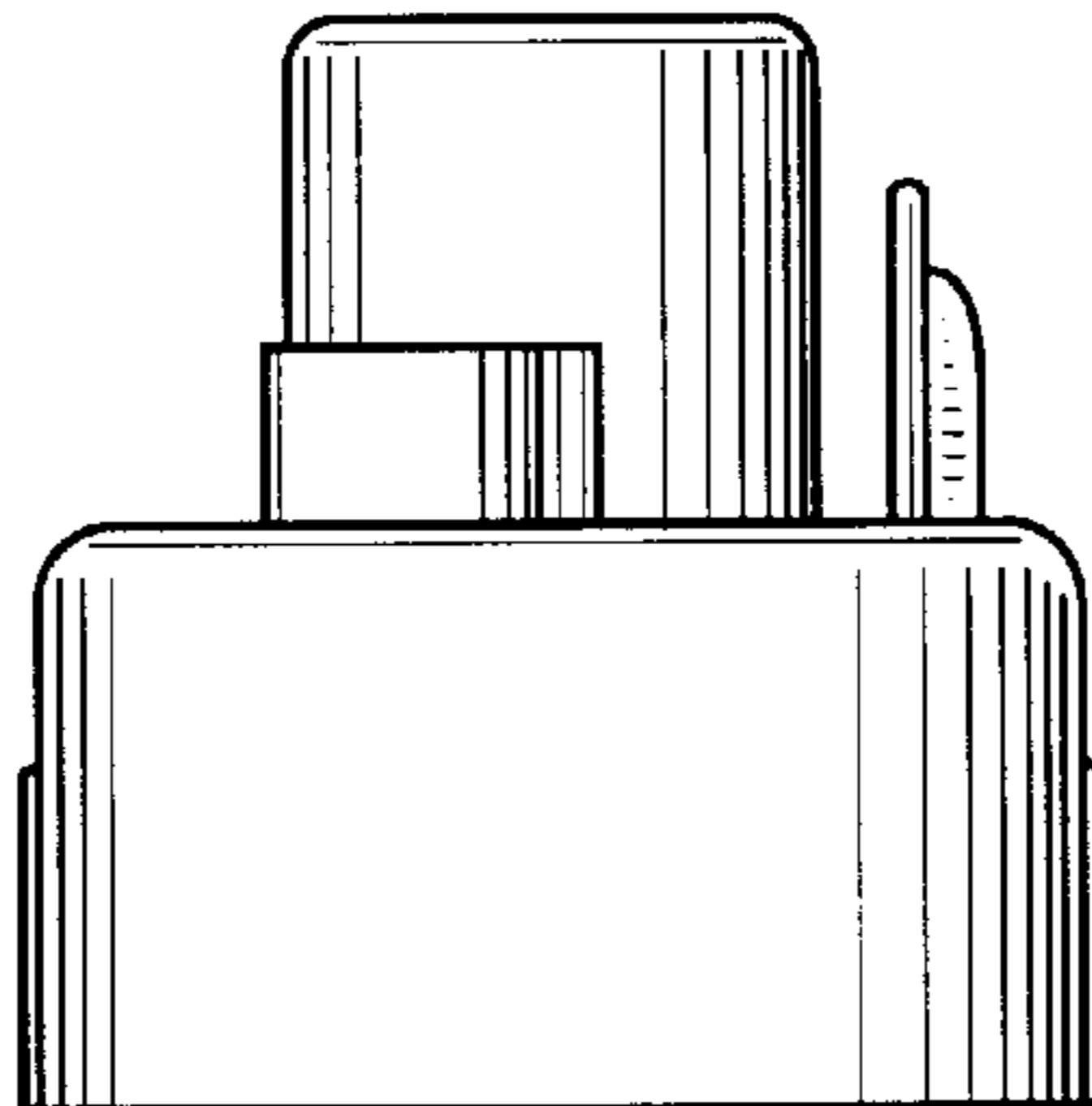


FIG. 7

