



US00D458365S

(12) **United States Design Patent**
Kopacko et al.

(10) **Patent No.: US D458,365 S**
(45) **Date of Patent: ** Jun. 4, 2002**

(54) **NASAL MASK**

FOREIGN PATENT DOCUMENTS

(75) Inventors: **Ralph E. Kopacko**, Irwin; **Zachary D. Paul**; **Joseph M. Miceli, Jr.**, both of Pittsburgh; **Richard J. Lordo**, Allison Park; **Peter Chi Fai Ho**, Pittsburgh, all of PA (US)

WO WO98/04310 2/1998

OTHER PUBLICATIONS

(73) Assignee: **Respironics, Inc.**, Pittsburgh, PA (US)

Sales Brochure—"Comfort Flap Accessory", Respironics, Inc. 1994.

Sales Brochure—"Spectrum Reusable Full Face Mask", Respironics, Inc. 1998.

(**) Term: **14 Years**

Sales Brochure—"Small Child Reusable Nasal Mask", Respironics, Inc. 1994.

(21) Appl. No.: **29/141,482**

Sales Brochure—"Monarch Ultra Mini Mask", Respironics, Inc. 1998.

(22) Filed: **May 7, 2001**

Sales Brochure—"The Softest, Silkiest CPAP Mask Available", Respironics, Inc. 1998.

Related U.S. Application Data

Primary Examiner—Ian Simmons

(74) *Attorney, Agent, or Firm*—Reed Smith LLP

(63) Continuation-in-part of application No. 29/109,077, filed on Aug. 10, 1999, now Pat. No. Des. 441,860.

(57) **CLAIM**

(51) **LOC (7) Cl.** **29-02**

The ornamental design for a nasal mask, as shown and described.

(52) **U.S. Cl.** **D24/110.1**

DESCRIPTION

(58) **Field of Search** D24/110.1, 110.4, D24/110.5, 164; 128/207.11, 207.13, 206.25, 206.24, 205.25, 207.18, 204.18, 206.26

FIG. 1 is a perspective view of a nasal mask in accordance with our new design, the broken line showing is for illustrative purposes only and forms no part of the claimed design.

(56) **References Cited**

FIG. 2 is an additional perspective view of the nasal mask with forehead pad feature in accordance with our new design.

U.S. PATENT DOCUMENTS

| | | |
|-------------|--------|-----------------|
| D47,140 S | 3/1915 | Newkirk |
| 2,011,733 A | 8/1935 | Shindel |
| 2,104,016 A | 1/1938 | Biggs |
| 2,254,854 A | 9/1941 | O'Connell |
| 2,317,608 A | 4/1943 | Heidbrink |
| 2,749,910 A | 6/1956 | Faulconer, Jr. |
| 2,931,356 A | 4/1960 | Schwarz |
| 2,939,458 A | 6/1960 | Lundquist |
| 3,330,273 A | 7/1967 | Bennett |
| 4,167,185 A | 9/1979 | Lewis |
| 4,655,213 A | 4/1987 | Rapoport et al. |
| 4,677,977 A | 7/1987 | Wilcox |
| 4,731,891 A | 3/1988 | Scheurer et al. |

FIG. 3 is an additional perspective view of the nasal mask with the forehead pad feature exploded therefrom.

FIG. 4 is an additional perspective view of the nasal mask with the forehead pad feature exploded therefrom.

FIG. 5 is a front view of the nasal mask shown in FIG. 1.

FIG. 6 is a side view of the nasal mask shown in FIG. 1. The opposite side is similar and not separately illustrated herein.

FIG. 7 is a back view of the nasal mask shown in FIG. 1.

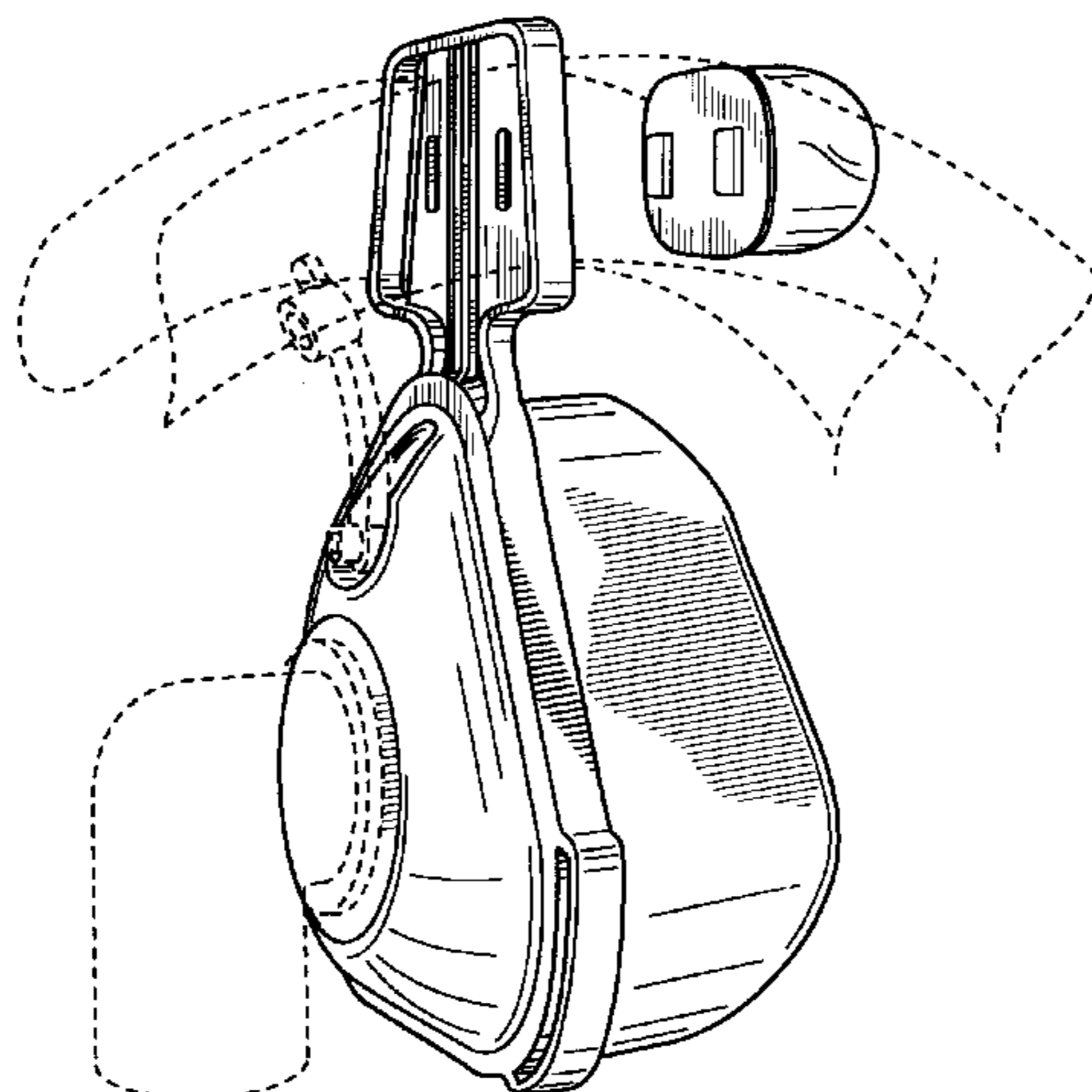
FIG. 8 is a top view of the nasal mask shown in FIG. 1.

FIG. 9 is a bottom view of the nasal mask shown in FIG. 1; and,

FIG. 10 is another perspective view of the nasal mask shown in FIG. 1.

(List continued on next page.)

1 Claim, 9 Drawing Sheets



US D458,365 S

Page 2

U.S. PATENT DOCUMENTS

| | | | | | |
|-------------|---------|------------------|---------------|---------|------------------------------|
| 4,739,755 A | 4/1988 | White et al. | 5,560,354 A | 10/1996 | Berthon-Jones et al. |
| 4,876,755 A | 10/1989 | Parrish | 5,570,689 A | 11/1996 | Starr et al. |
| 4,907,584 A | 3/1990 | McGinnis | 5,647,357 A | 7/1997 | Barnett et al. |
| 4,944,310 A | 7/1990 | Sullivan | 5,687,715 A | 11/1997 | Landis et al. |
| 4,971,051 A | 11/1990 | Toffolon | D389,238 S | 1/1998 | Kirk, III et al. |
| 5,042,487 A | 8/1991 | Kopala et al. | 5,724,965 A | 3/1998 | Handke et al. |
| D333,015 S | 2/1993 | Farmer et al. | 5,746,201 A | 5/1998 | Kidd |
| 5,243,971 A | 9/1993 | Sullivan et al. | D419,670 S | 1/2000 | Pollard |
| D349,586 S | 8/1994 | Handke | 6,044,844 A * | 4/2000 | Kwok et al. 128/207.11 |
| 5,492,116 A | 2/1996 | Scarberry et al. | 6,112,746 A | 9/2000 | Kwok et al. |
| 5,517,986 A | 5/1996 | Starr et al. | 6,119,693 A | 9/2000 | Kwok et al. |
| 5,540,223 A | 7/1996 | Starr et al. | D439,326 S * | 3/2001 | Hecker et al. D24/110.5 |
| 5,542,128 A | 8/1996 | Lomas | | | |

* cited by examiner

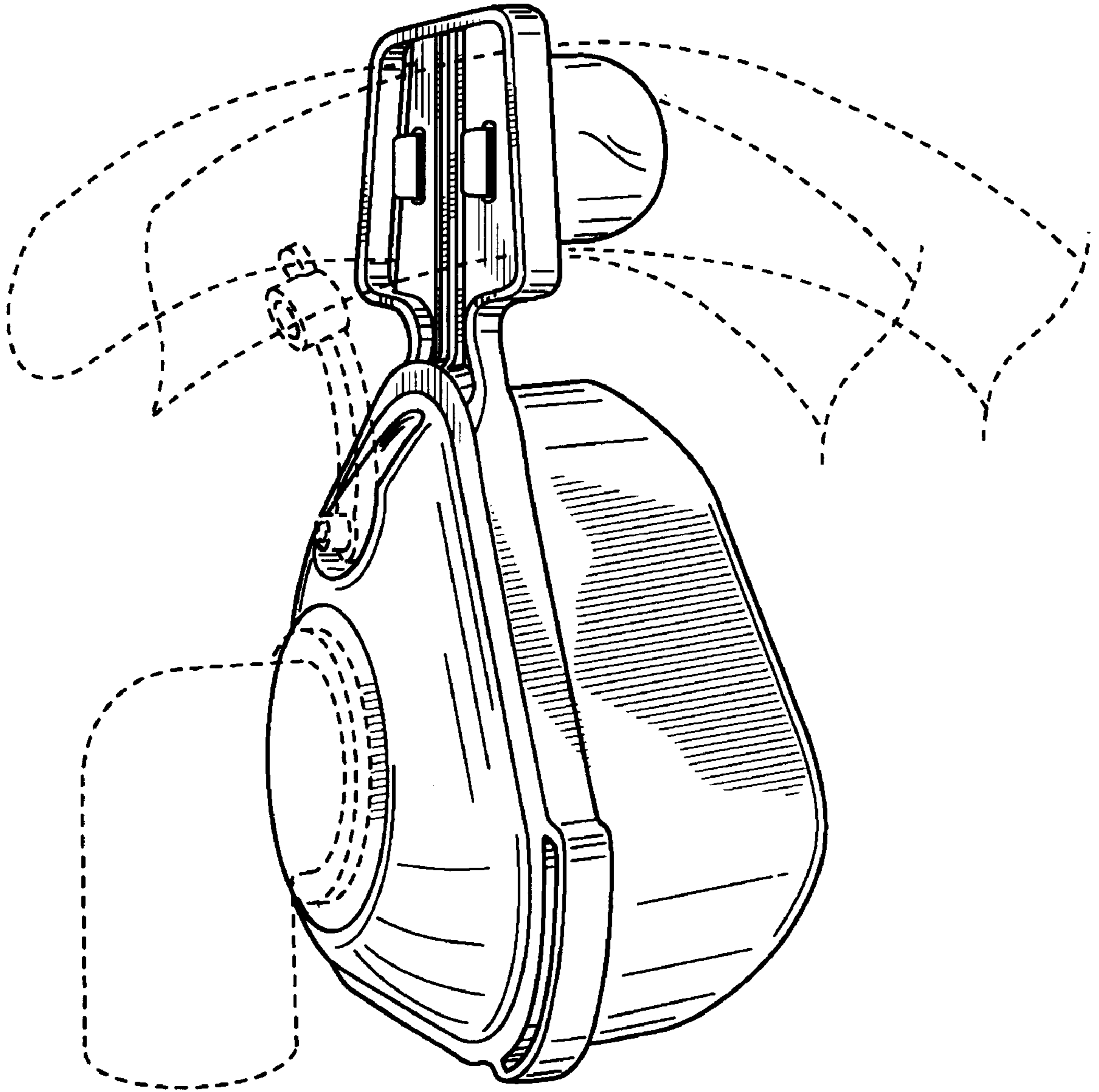


FIG. 1

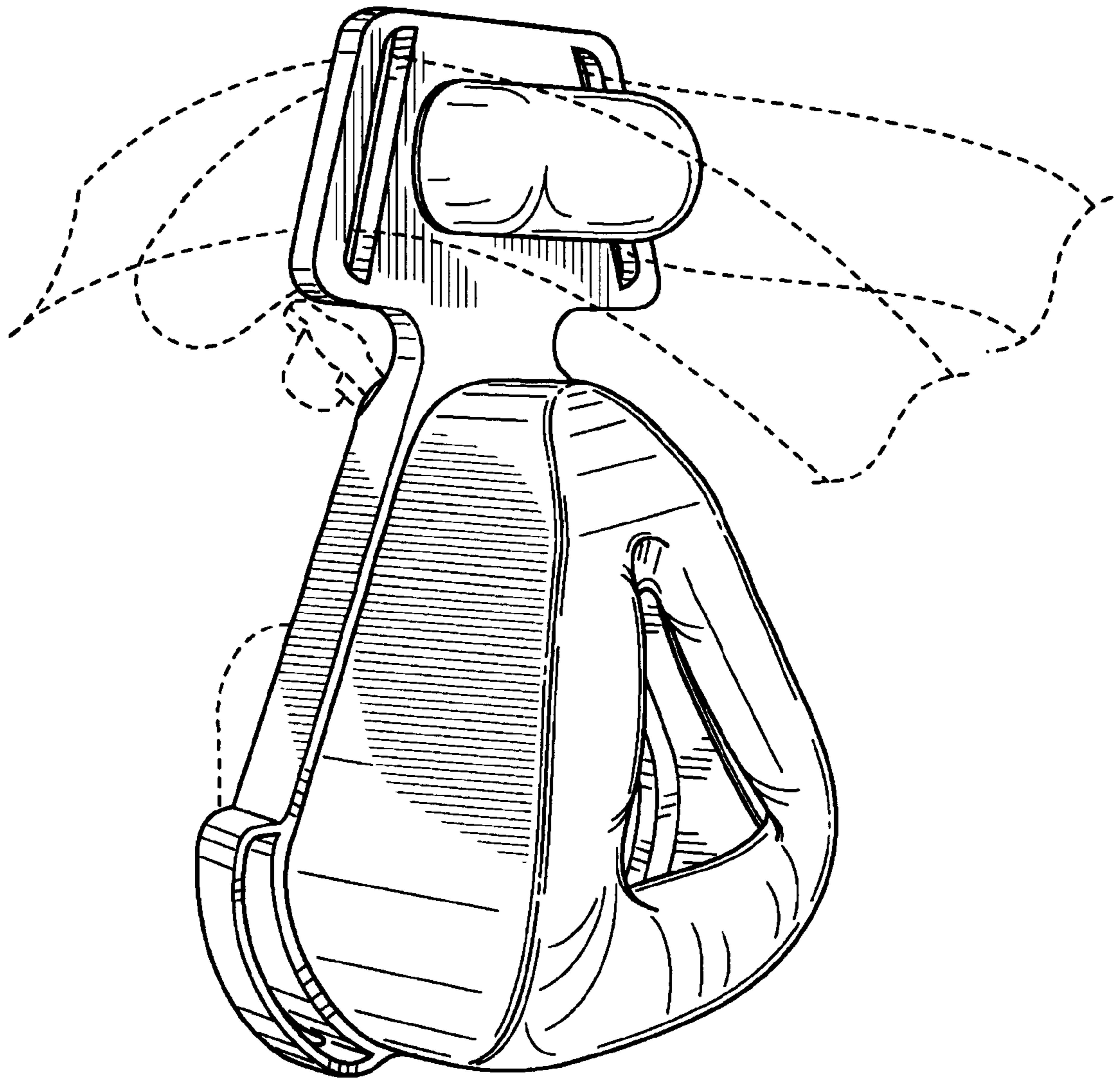


FIG. 2

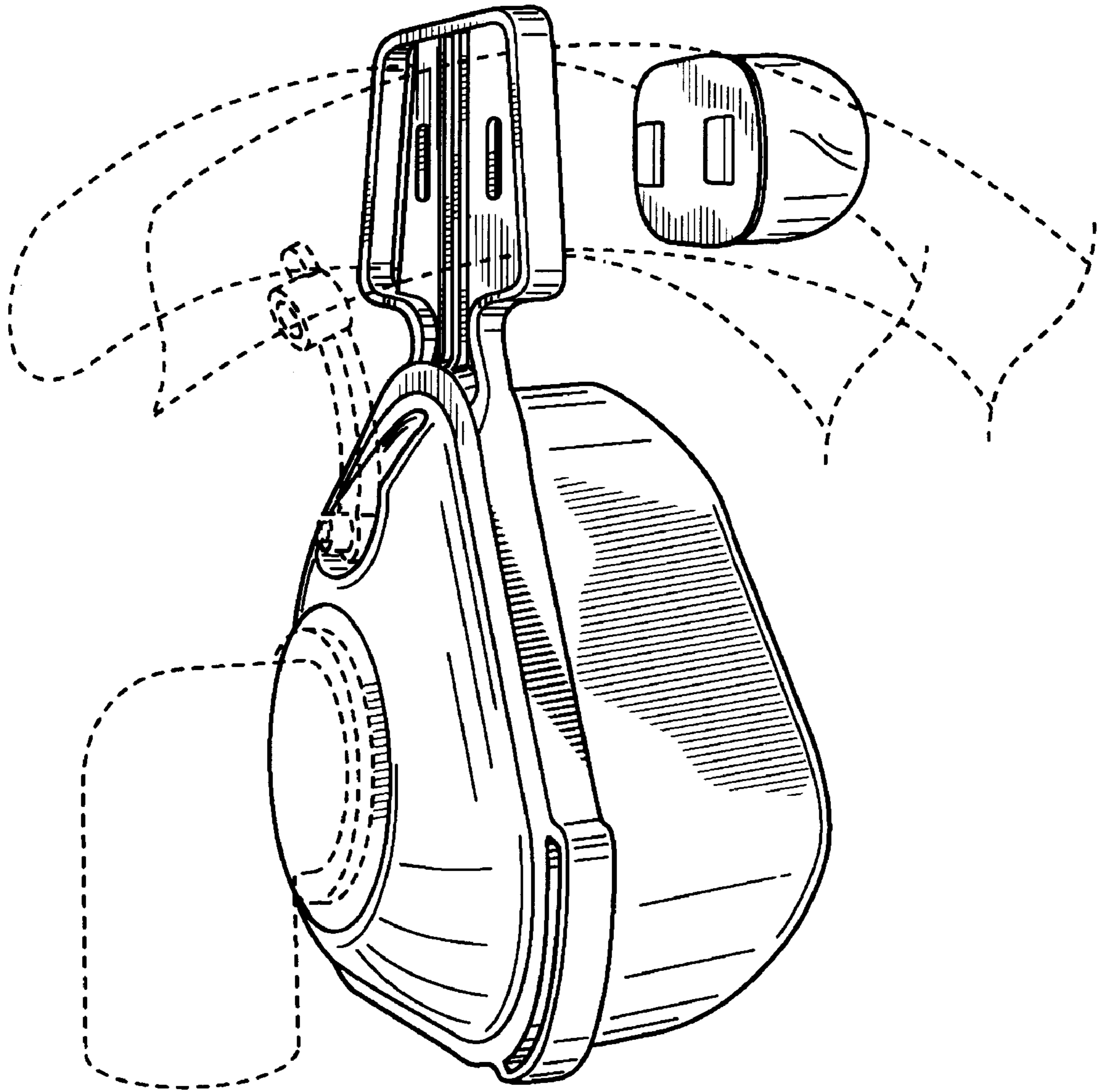


FIG. 3

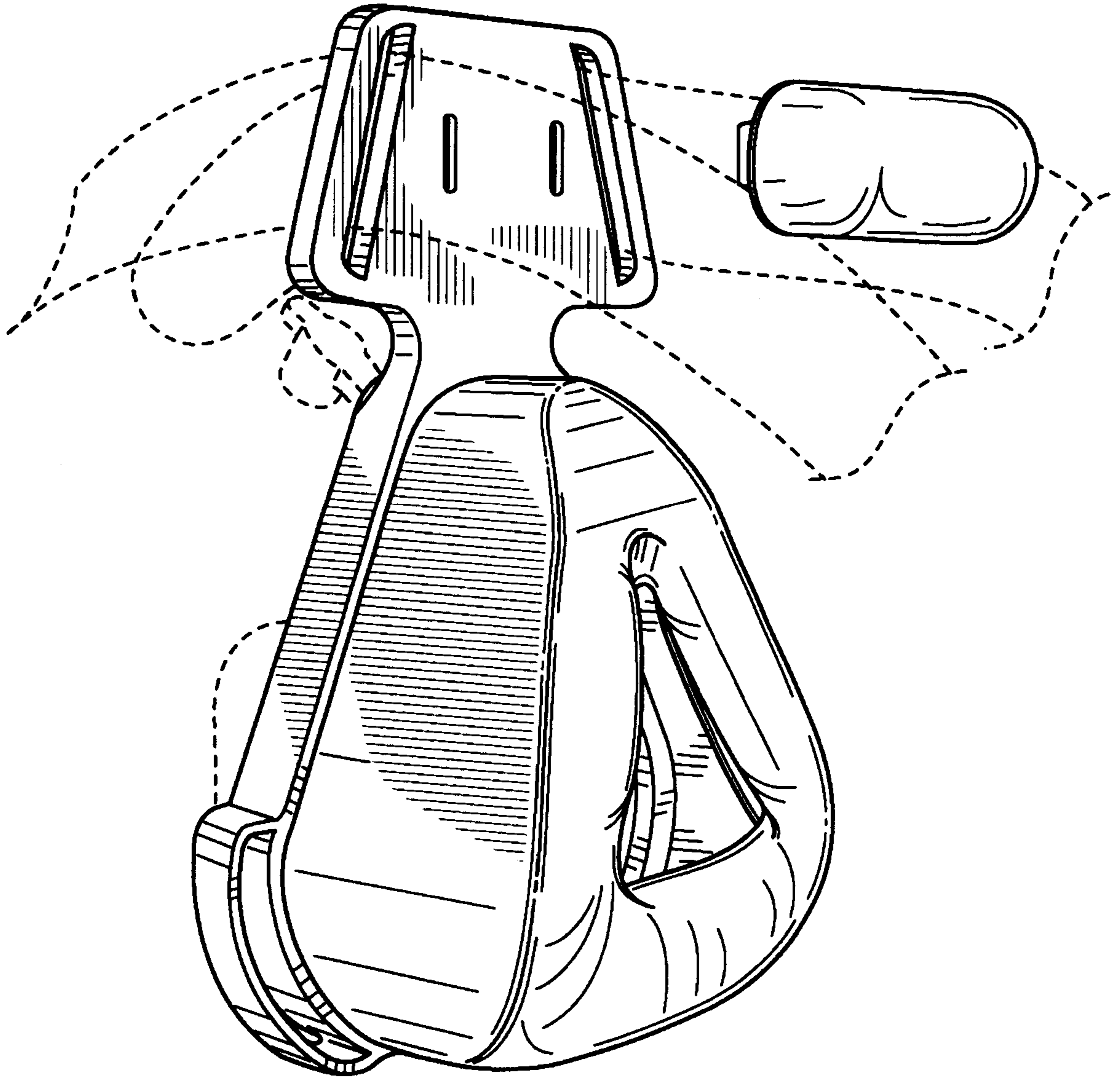


FIG. 4

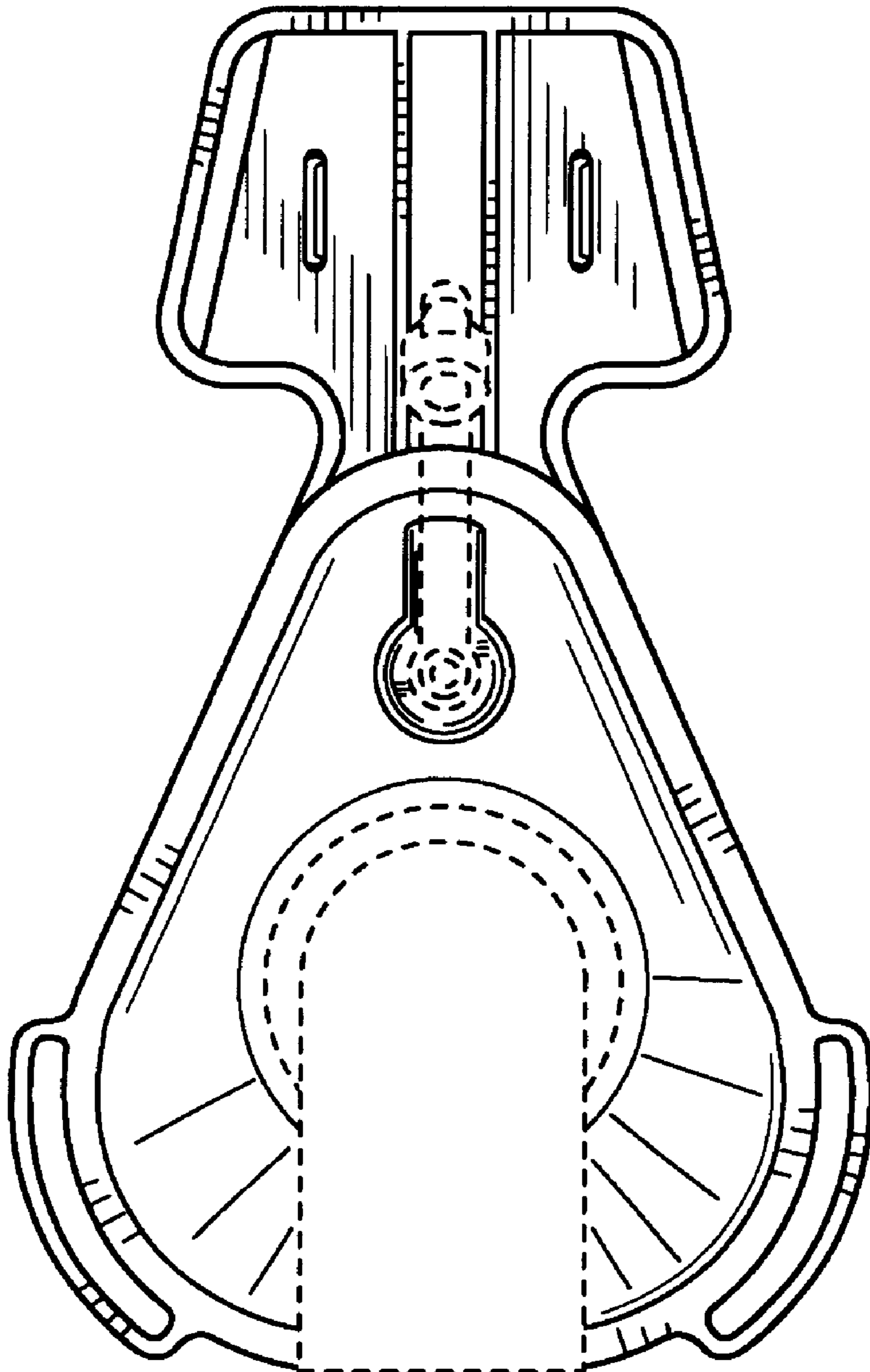


FIG. 5

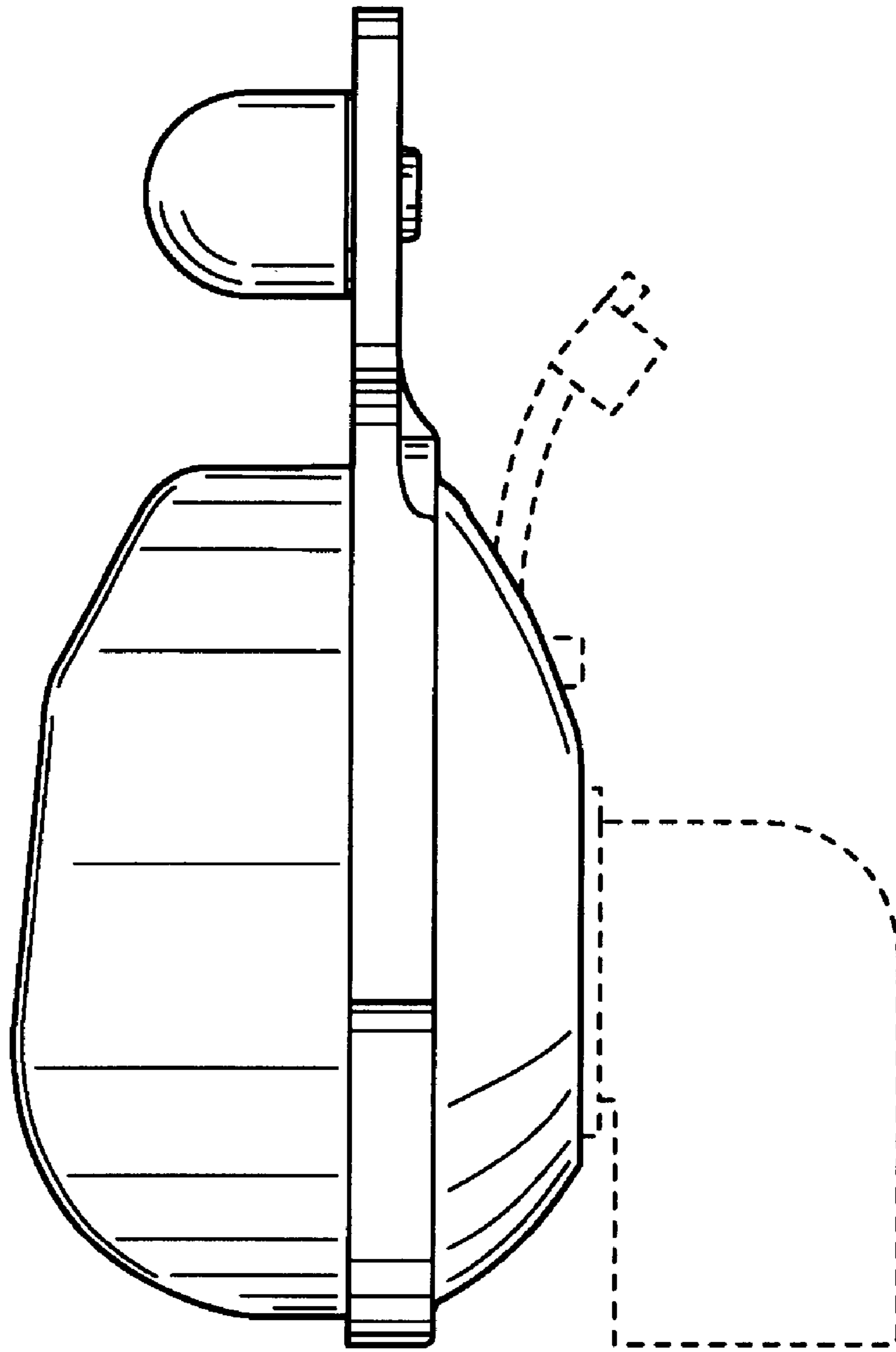


FIG. 6

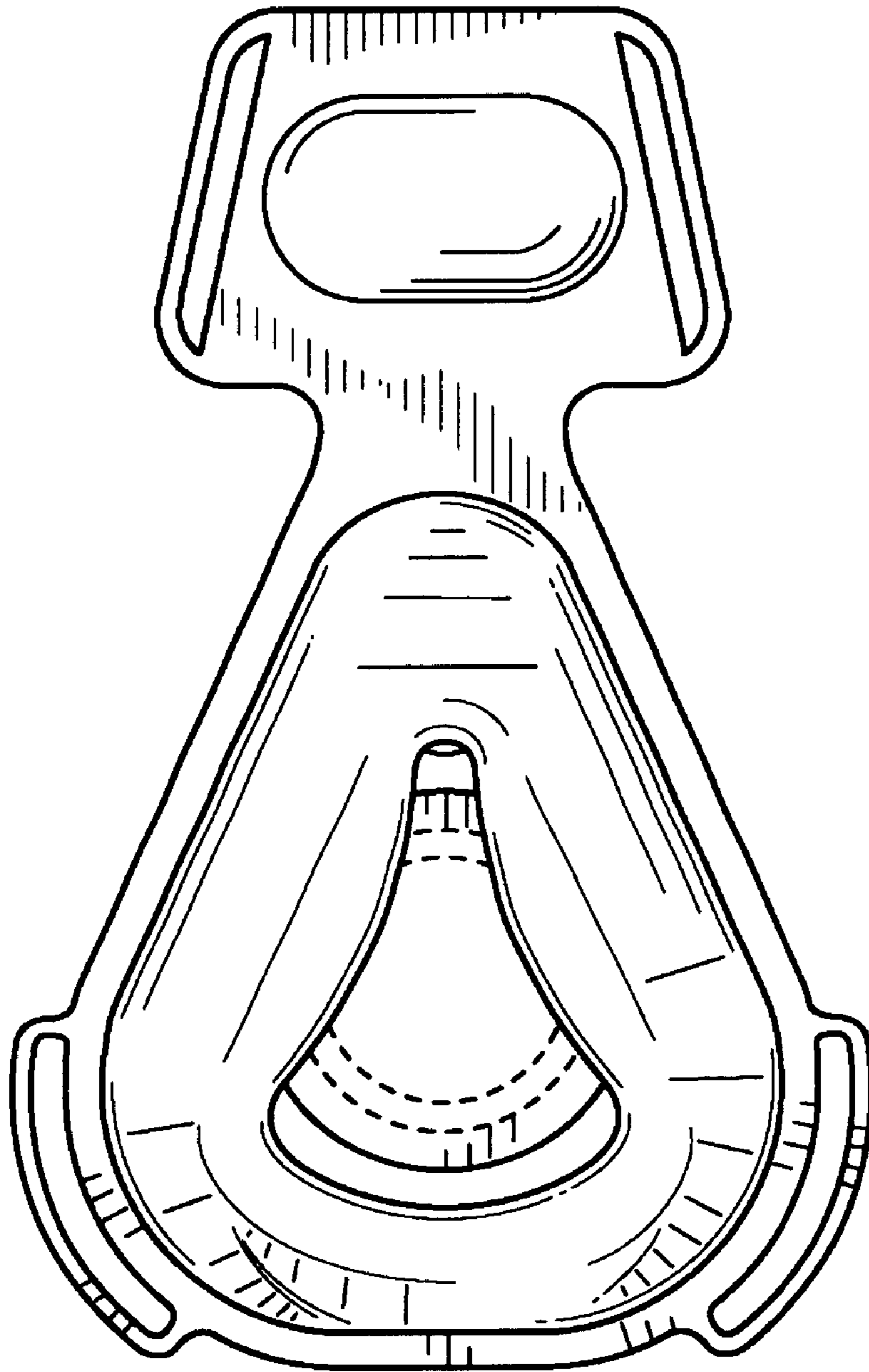


FIG. 7

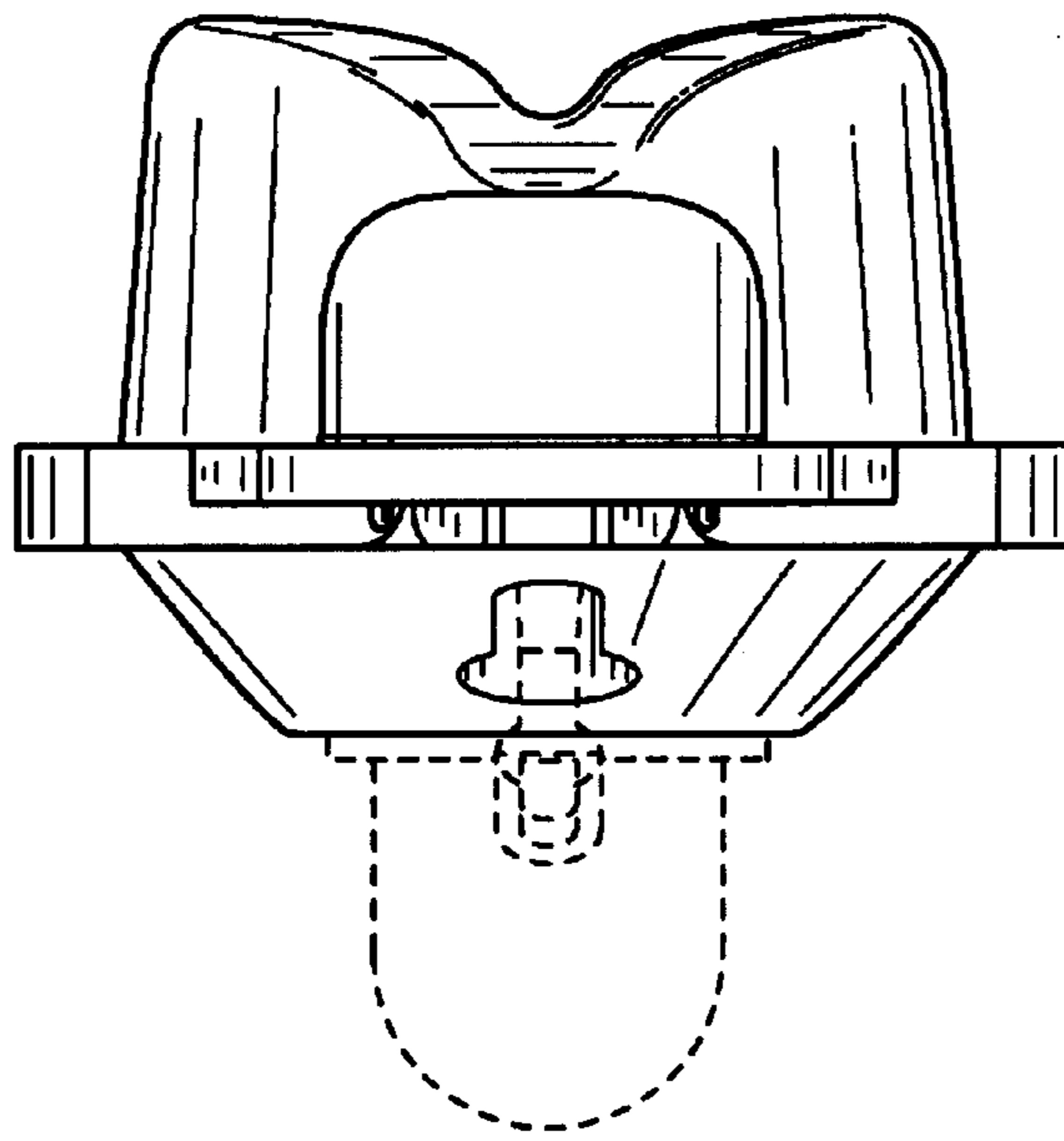


FIG. 8

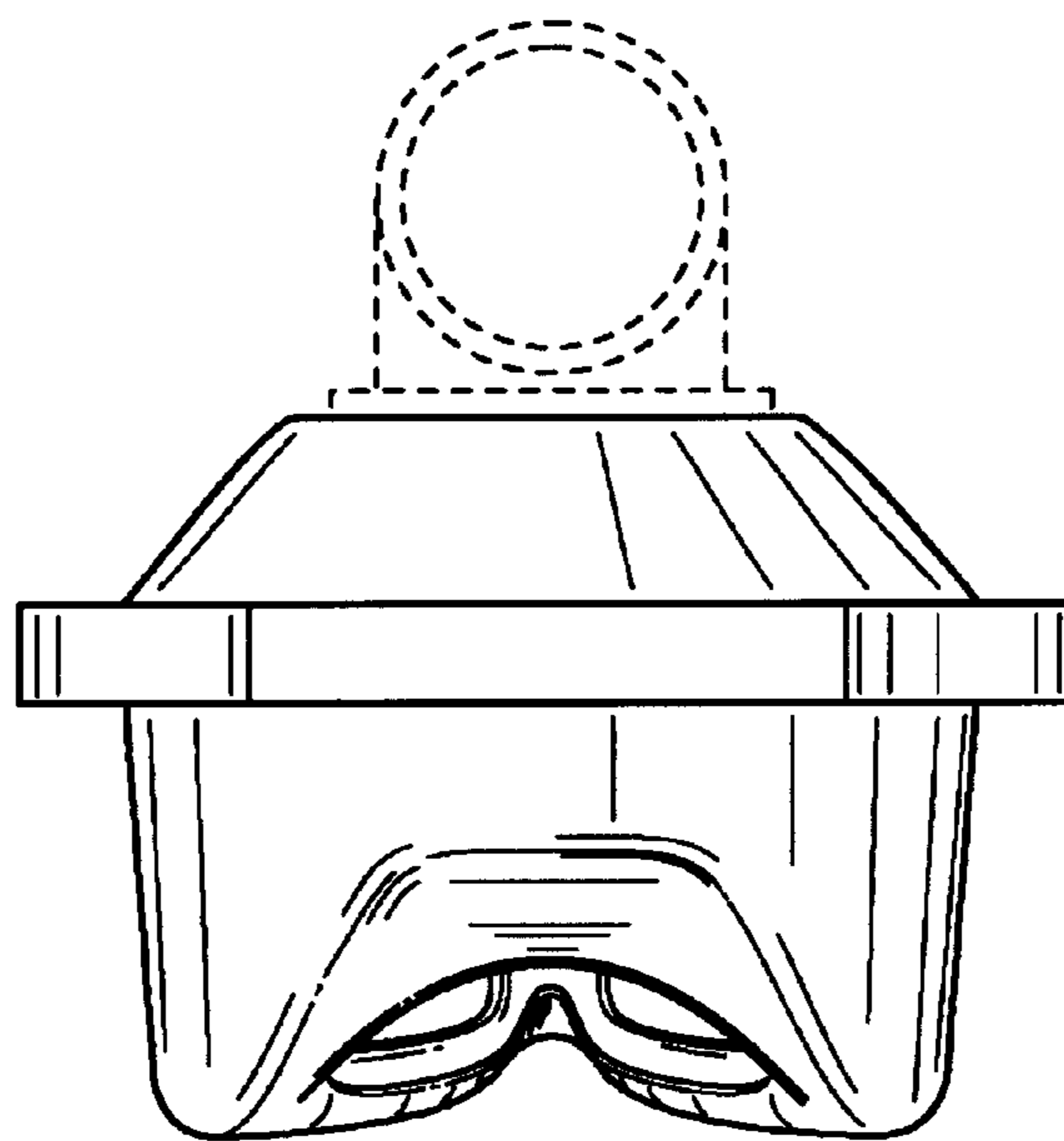


FIG. 9

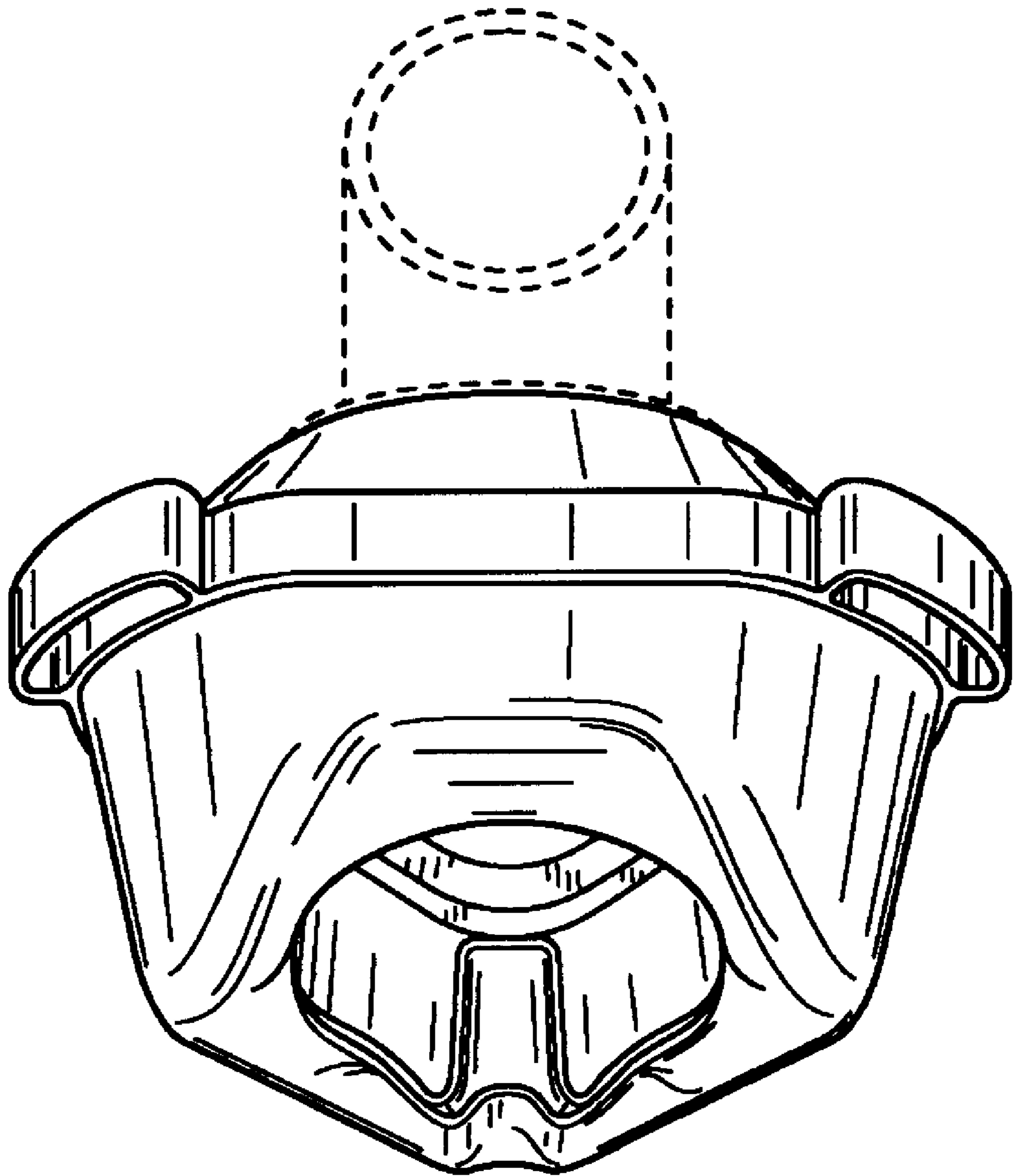


FIG. 10