



US00D458364S

(12) **United States Design Patent**
Curran et al.

(10) **Patent No.:** **US D458,364 S**

(45) **Date of Patent:** **** *Jun. 4, 2002**

(54) **PERSONAL RESPIRATORY PROTECTION
DEVICE THAT HAS LEFT AND RIGHT TABS**

(75) Inventors: **Desmond T. Curran**, Durham; **John
W. Bryant**, High Shincliffe;
Christopher P. Henderson, Durham,
all of (GB)

(73) Assignee: **3M Innovative Properties Company**,
St. Paul, MN (US)

(*) Notice: This patent is subject to a terminal dis-
claimer.

(**) Term: **14 Years**

(21) Appl. No.: **29/104,469**

(22) Filed: **May 5, 1999**

Related U.S. Application Data

(62) Division of application No. 29/062,787, filed on Nov. 25,
1996, now abandoned.

(51) **LOC (7) Cl.** **29-02**

(52) **U.S. Cl.** **D24/110.1**

(58) **Field of Search** D24/110.1; 128/206.12,
128/206.19, 206.21, 206.27, 207.13, 205.25

(56) **References Cited**

U.S. PATENT DOCUMENTS

1,987,922 A	1/1935	Blatt
2,012,505 A	8/1935	Goldsmith
2,029,947 A	2/1936	Schmitt et al.
2,565,124 A	8/1951	Durborow
2,752,916 A	7/1956	Haliczer
RE24,549 E	10/1958	Haliczer
3,288,138 A	11/1966	Sachs
3,971,369 A	7/1976	Aspelin et al.
4,248,220 A	2/1981	White
4,300,549 A	11/1981	Parker
4,417,575 A	11/1983	Hilton et al.
4,628,927 A	12/1986	Ward
D287,649 S	1/1987	Zdrok et al.

4,643,182 A	2/1987	Klein
4,827,924 A	5/1989	Japuntich
4,941,470 A	7/1990	Hubbard et al.
5,035,006 A	7/1991	Hetz et al.
D326,541 S	5/1992	McBrearty, Jr.
5,322,061 A	6/1994	Brunson
D380,545 S	7/1997	Nozaki et al.

FOREIGN PATENT DOCUMENTS

EP	0 183 059 A1	6/1986
GB	388638	3/1933
GB	2 072 516 A	10/1981
GB	2 103 491 A	2/1983

OTHER PUBLICATIONS

Europa Safety Products (ESP) product literature entitled
"The Next Generation In Safety" for their CN range of
respirators (no date).

Primary Examiner—Stella Reid

(74) *Attorney, Agent, or Firm*—Karl G. Hanson

(57) **CLAIM**

The ornamental design for a personal respiratory protection
device that has left and right tabs, as shown and described.

DESCRIPTION

FIG. 1 is a perspective view of a personal respiratory
protection device that has left and right tabs showing the
new design.

FIG. 2 is a front elevational view thereof.

FIG. 3 is a rear elevational view thereof.

FIG. 4 is a top elevational view thereof.

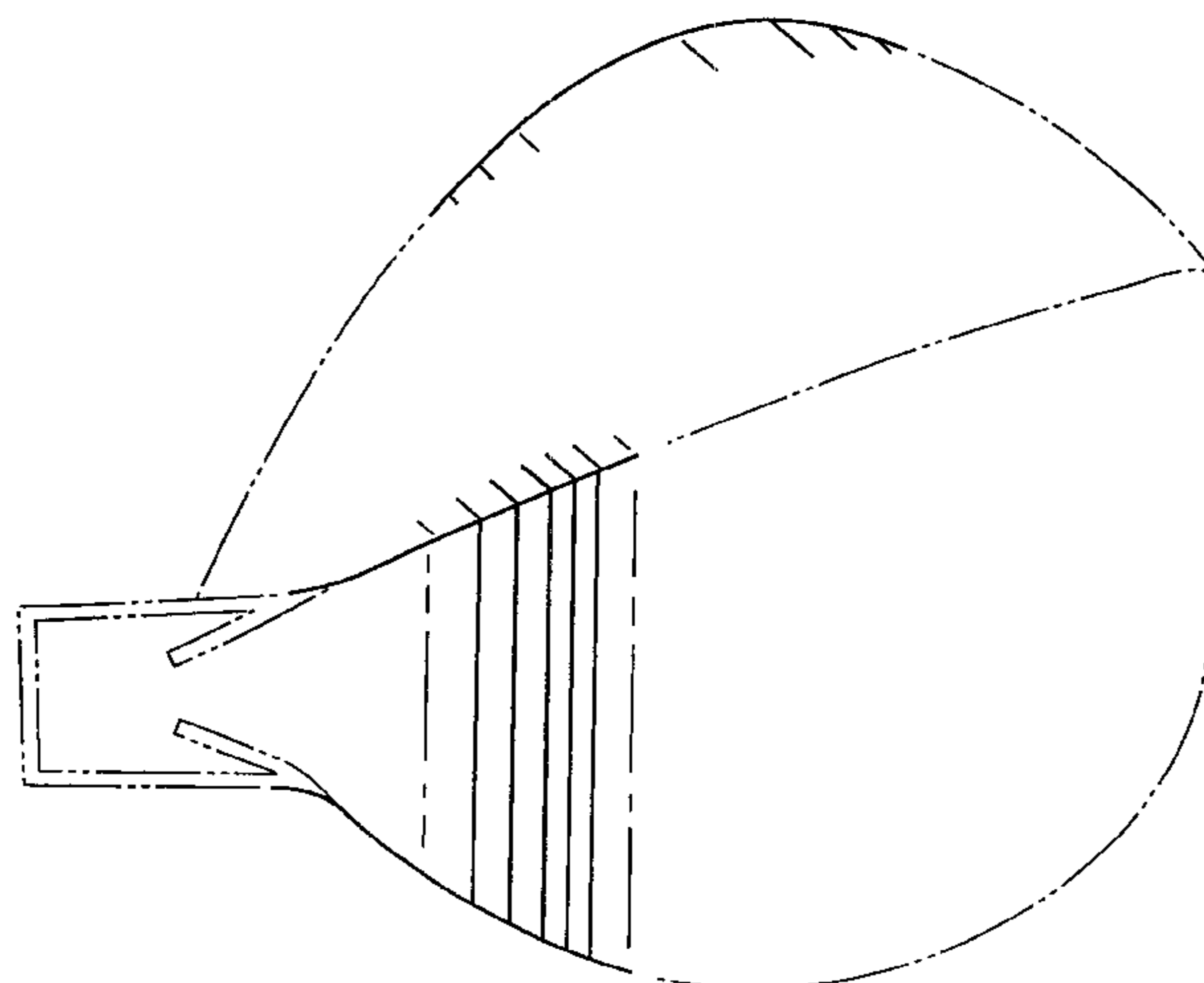
FIG. 5 is a bottom elevational view thereof; and,

FIG. 6 is a right elevational view thereof. The left side is a
mirror image of the right side.

The shading shown in the drawings is provided only to
highlight the contour of the design. It does not illustrate
texture or serve any other purpose.

The broken lines shown in the drawings are for illustrative
purposes only and form no part of the claimed design.

1 Claim, 3 Drawing Sheets



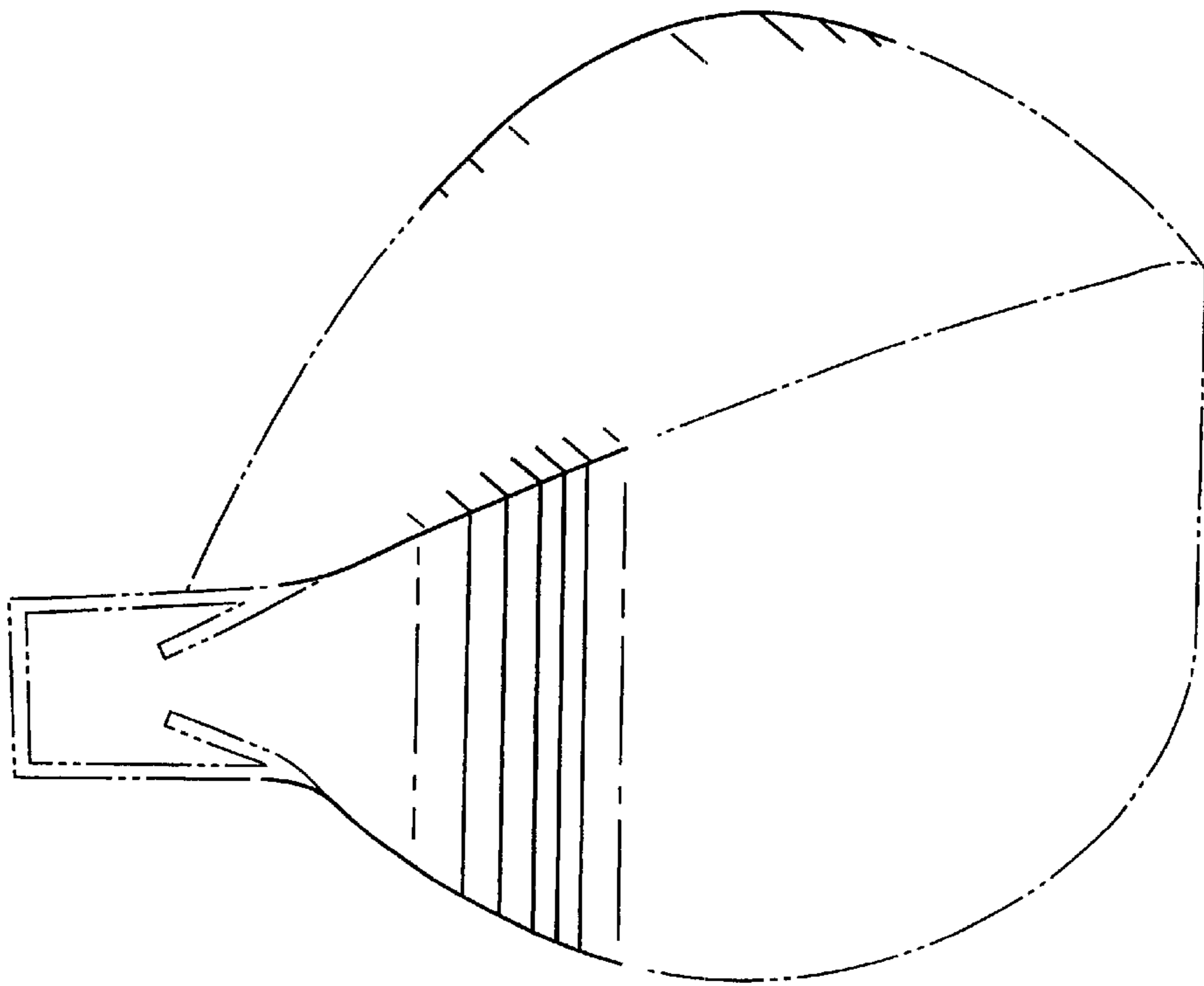


Fig. 1

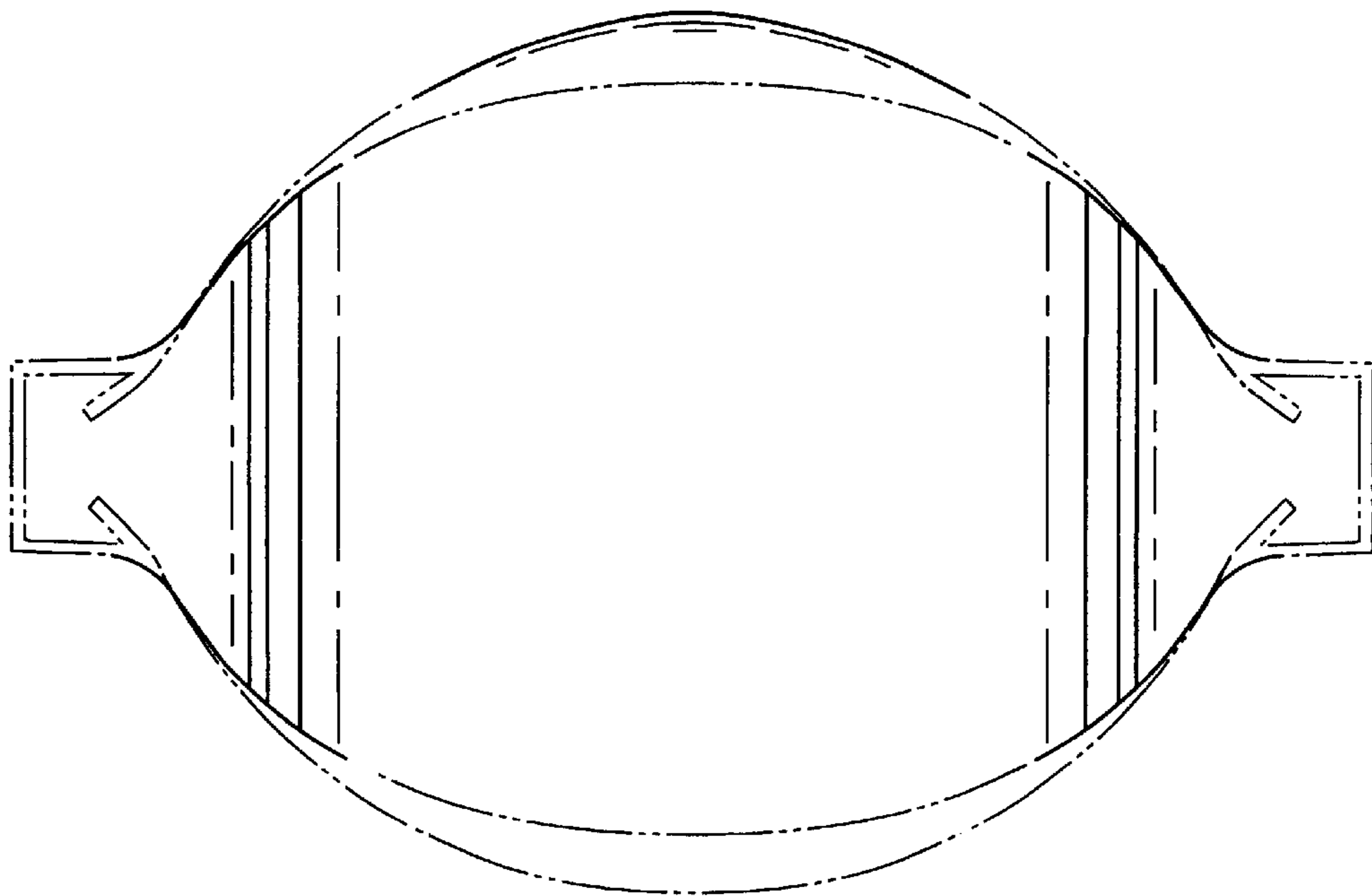


Fig. 2

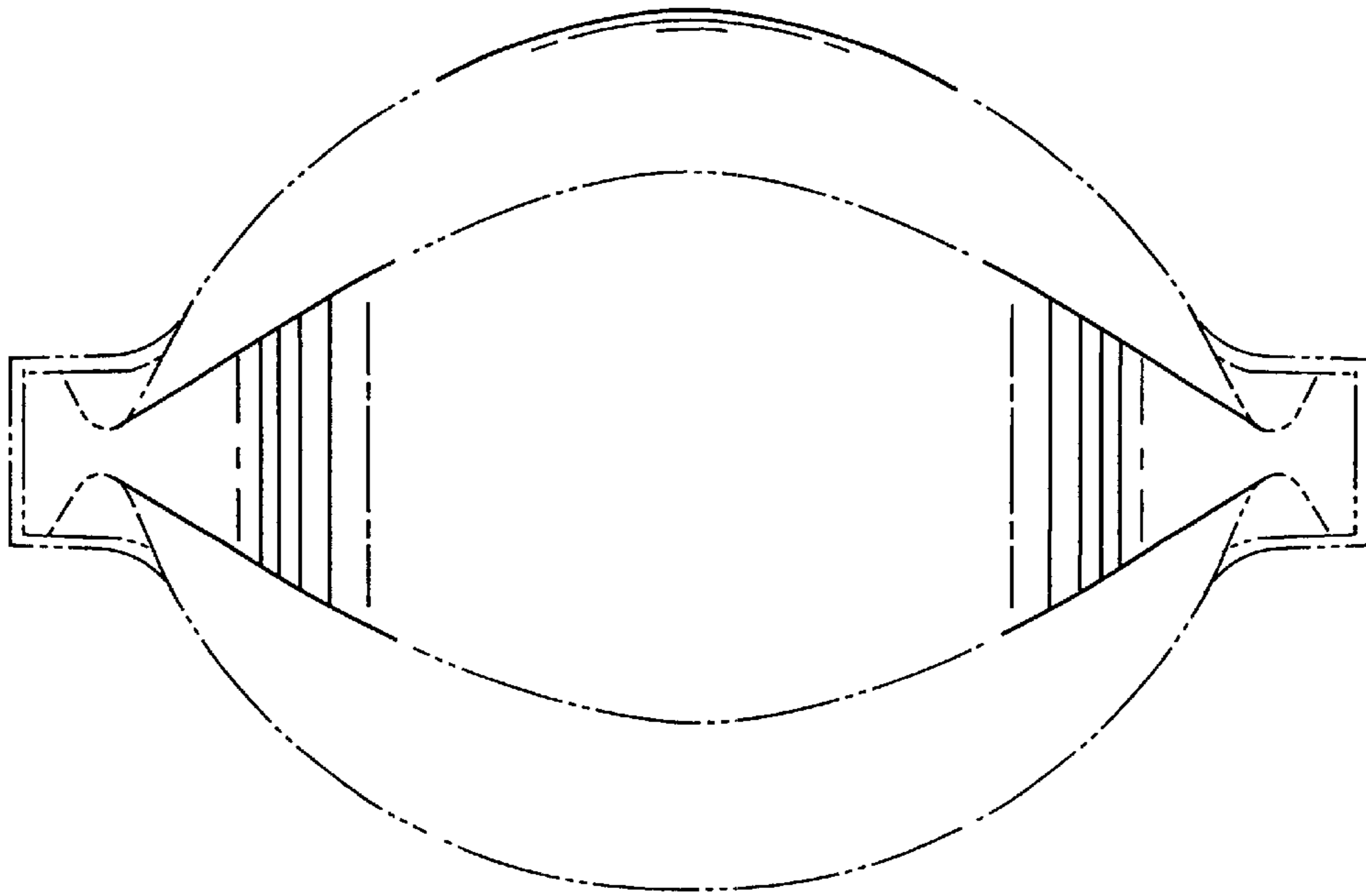


Fig. 3

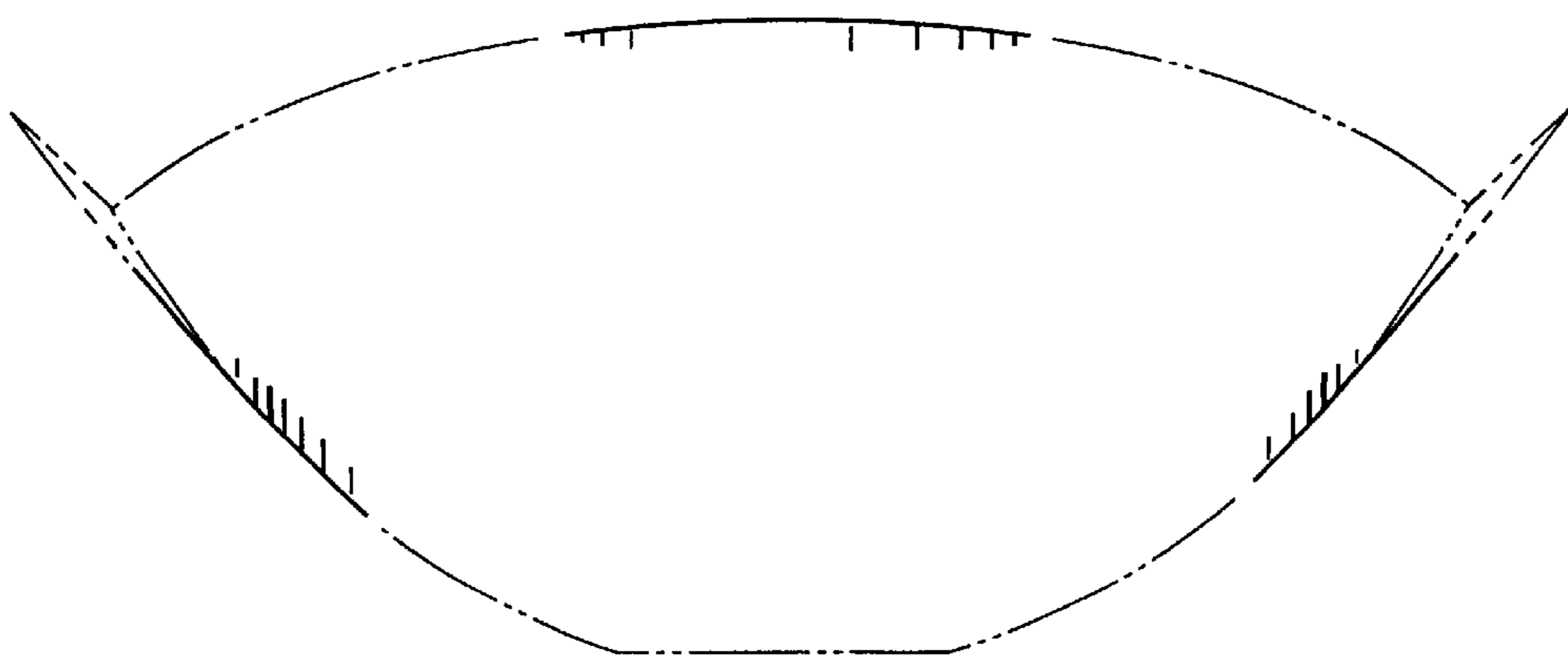


Fig. 4

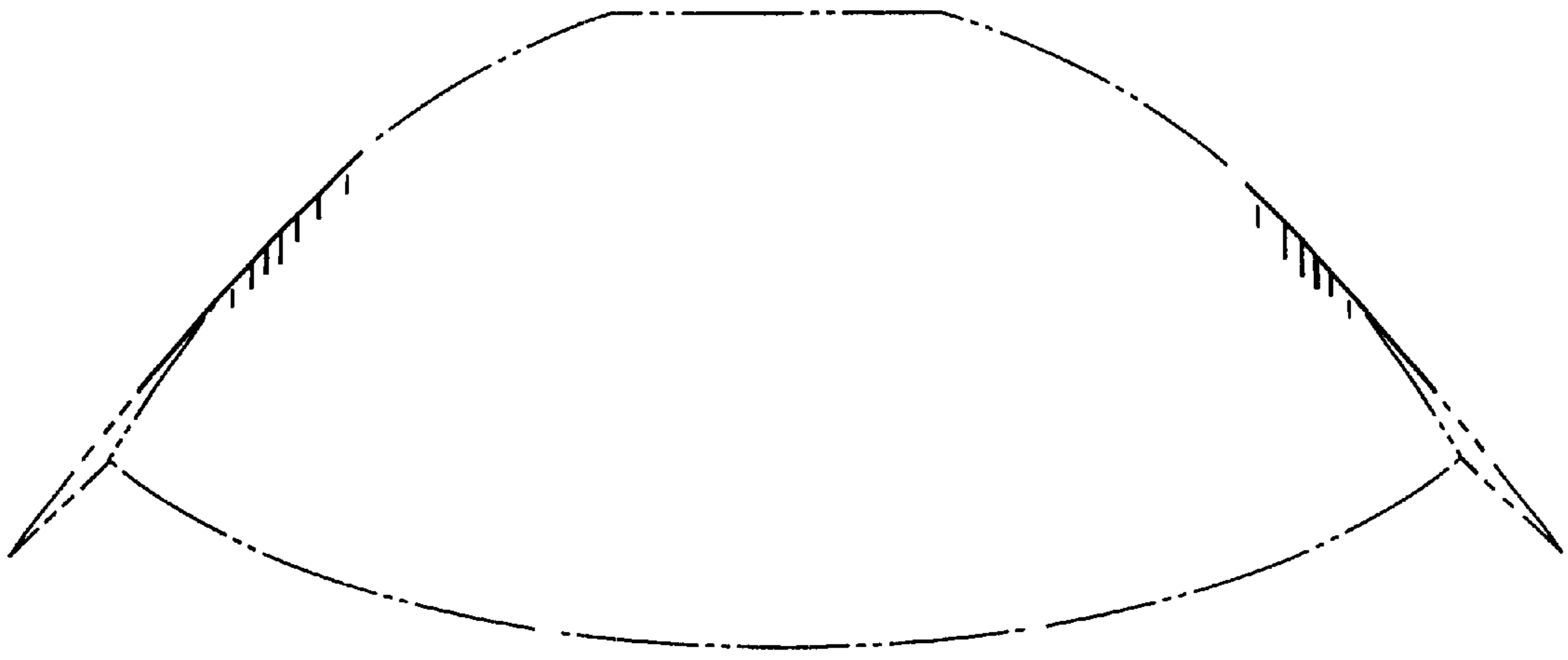


Fig. 5

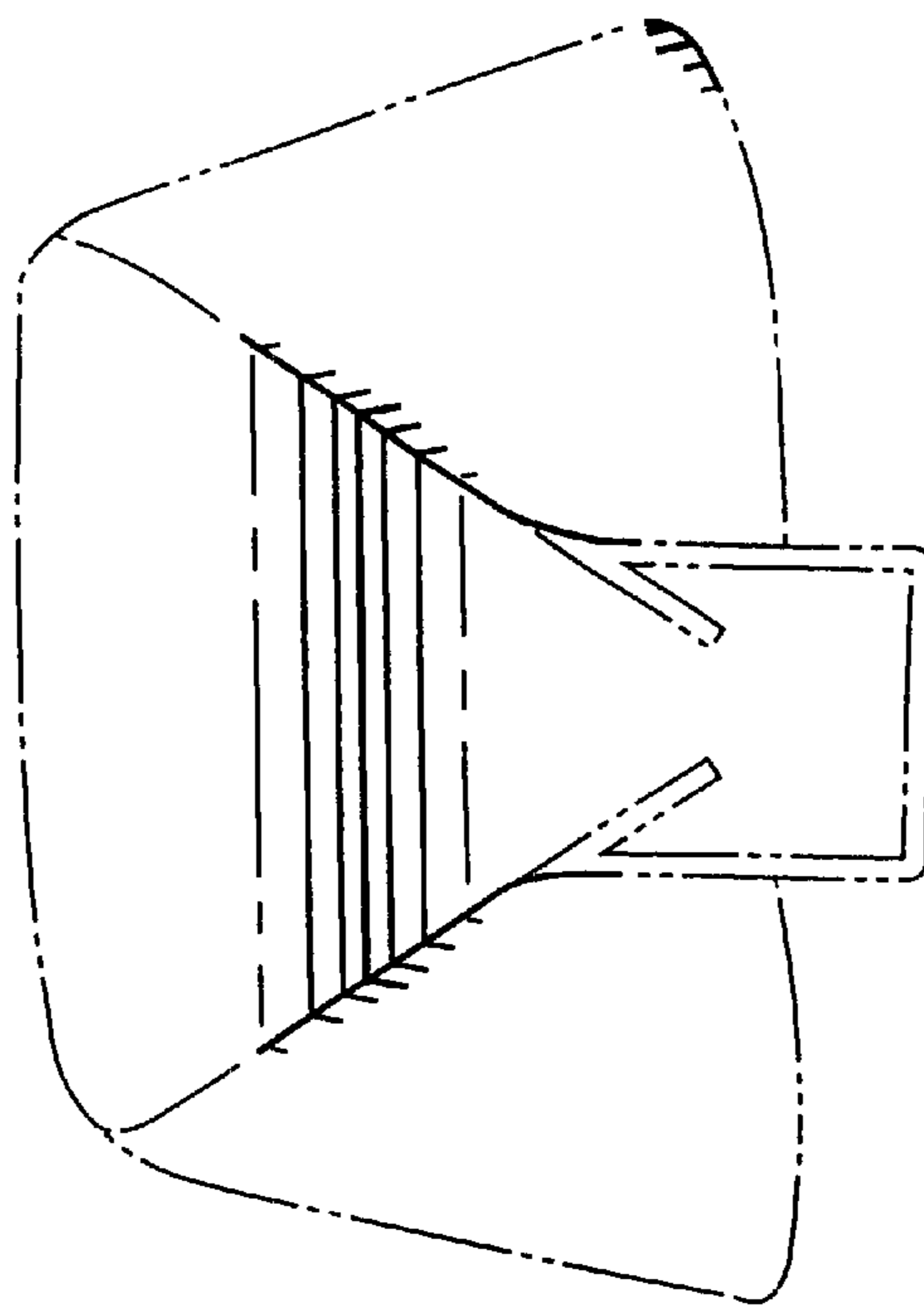


Fig. 6