



US00D458363S

(12) **United States Design Patent**  
**Hidalgo**

(10) **Patent No.:** **US D458,363 S**  
(45) **Date of Patent:** **\*\* Jun. 4, 2002**

(54) **CEILING FAN BLADE IRON**

(75) Inventor: **Rolando Hidalgo**, Orange, CA (US)

(73) Assignee: **Minka Lighting, Inc.**, Corona, CA (US)

(\*\*) Term: **14 Years**

(21) Appl. No.: **29/142,798**

(22) Filed: **Jun. 1, 2001**

(51) **LOC (7) Cl.** ..... **23-04**

(52) **U.S. Cl.** ..... **D23/411**

(58) **Field of Search** ..... D23/377, 385,  
D23/411, 413, 379; 416/5, 210 R

(56) **References Cited**

**U.S. PATENT DOCUMENTS**

D371,838 S	*	7/1996	Davis, Jr. et al.	.....	D23/411
D382,955 S	*	8/1997	Liu	.....	D23/411
D408,904 S	*	4/1999	Liu	.....	D23/377
D414,857 S	*	10/1999	Zuege	.....	D23/377

\* cited by examiner

*Primary Examiner*—Lisa Lichtenstein

(74) *Attorney, Agent, or Firm*—Jenkins & Gilchrist, P.C.

(57) **CLAIM**

The ornamental design for the ceiling fan blade iron, as shown and described.

**DESCRIPTION**

FIG. 1 is a bottom view of a ceiling fan blade iron in accordance with my design, shown in its environment;

FIG. 2 is a front elevation view of the ceiling fan blade iron in accordance with my design shown in its environment.

FIG. 3 is a perspective view from below of an enlarged ceiling fan blade iron in accordance with my design;

FIG. 4 is an enlarged side elevation view of a ceiling fan blade iron in accordance with my design, the opposite side being a mirror image of that shown;

FIG. 5 is a perspective view from above of an enlarged ceiling fan blade iron in accordance with my design;

FIG. 6 is a bottom plan view of an enlarged ceiling fan blade iron in accordance with my design;

FIG. 7 is a top plan view of an enlarged ceiling fan blade iron in accordance with my design;

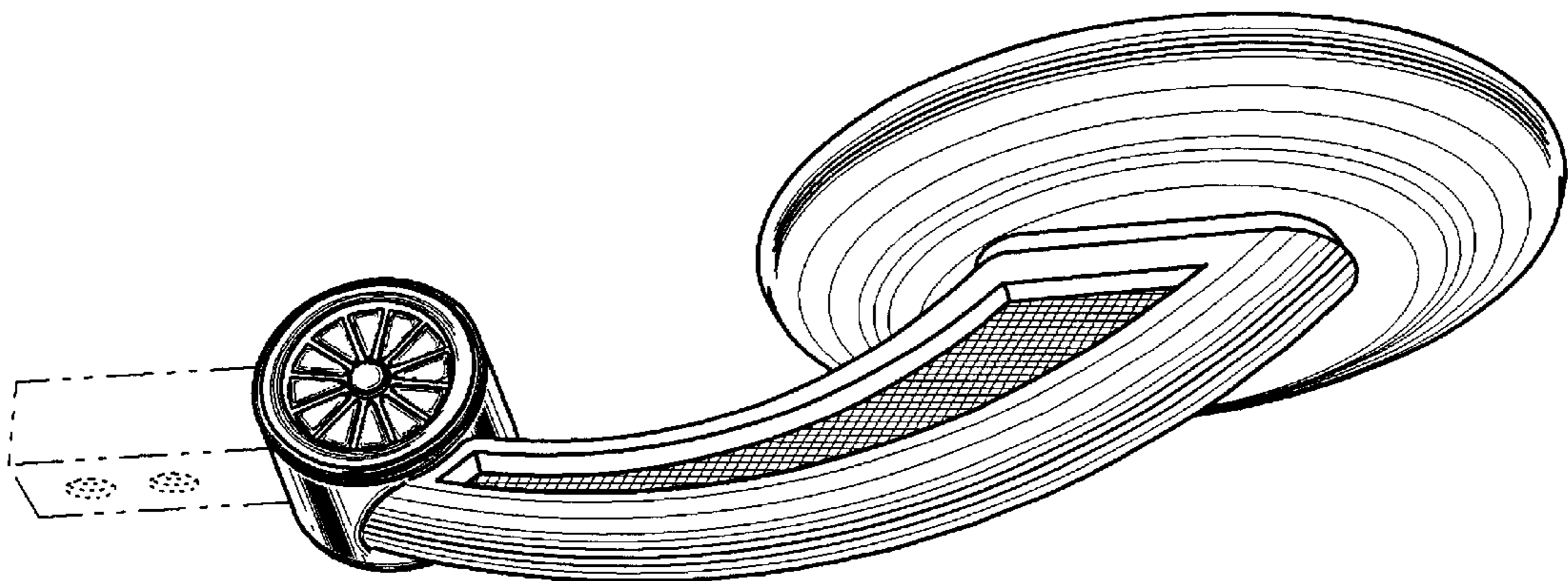
FIG. 8 is a front elevation view of an enlarged ceiling fan blade iron in accordance with my design; and,

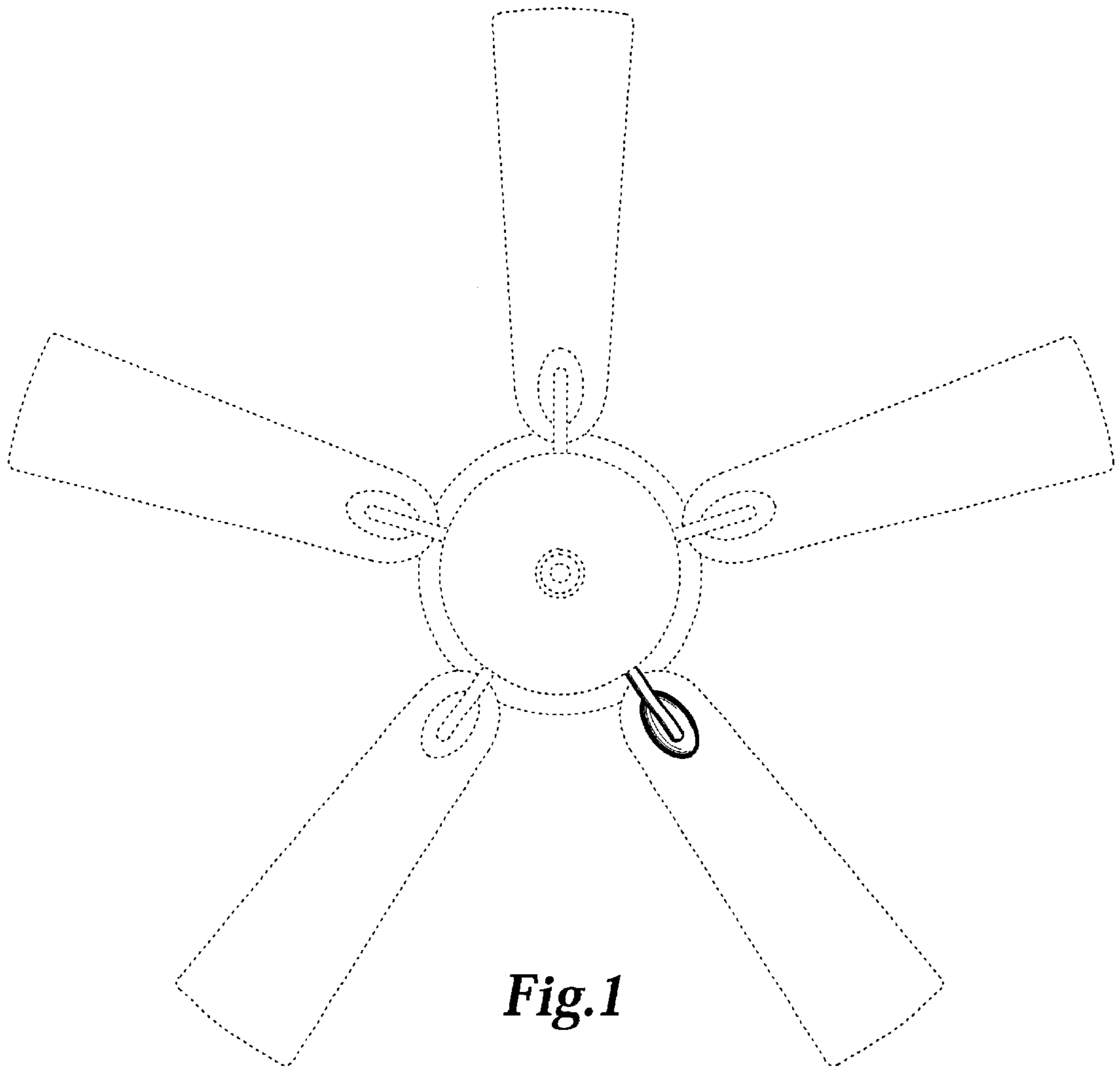
FIG. 9 is a rear elevation view of an enlarged ceiling fan blade iron in accordance with my design.

The upper oval surface that is illustrated in FIGS. 5 and 7 is unornamented and is not claimed as part of this design.

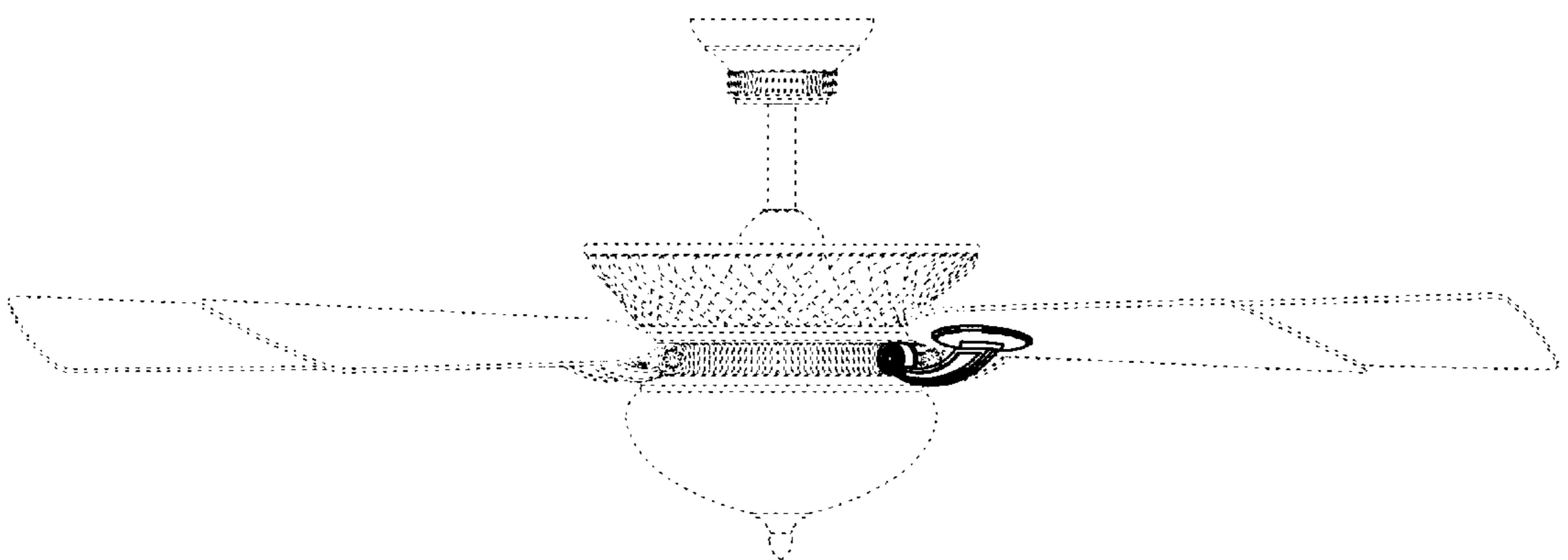
The broken line showing of environmental structure in FIGS. 1–7 is for illustrative purposes only and forms no part of the claimed design.

**1 Claim, 3 Drawing Sheets**

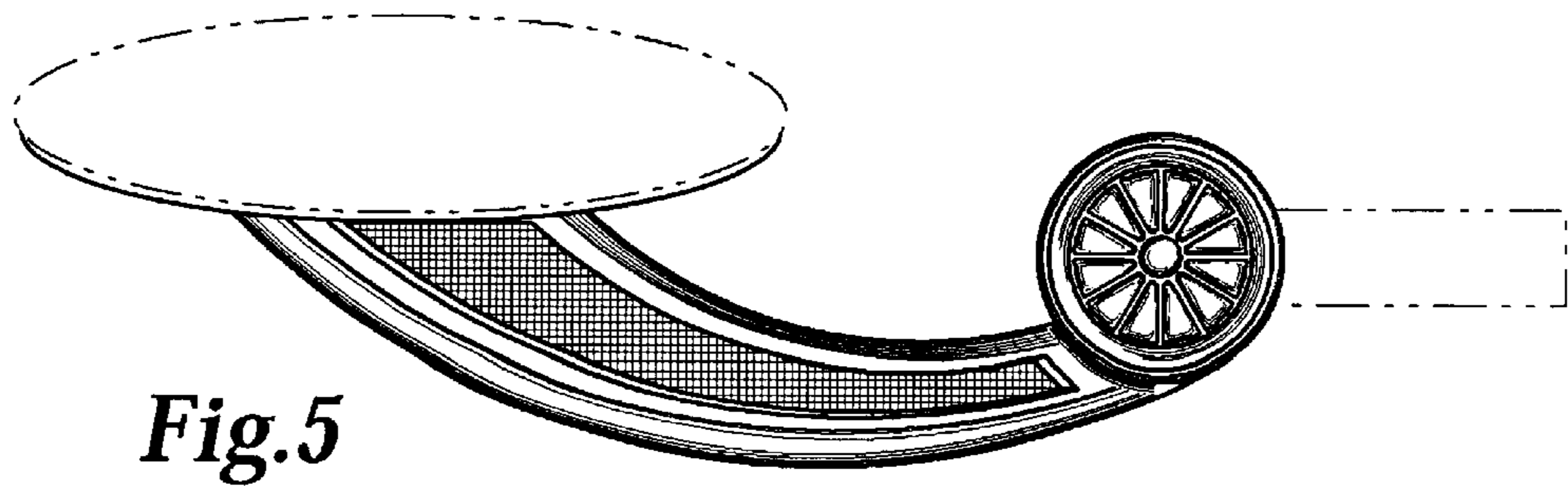
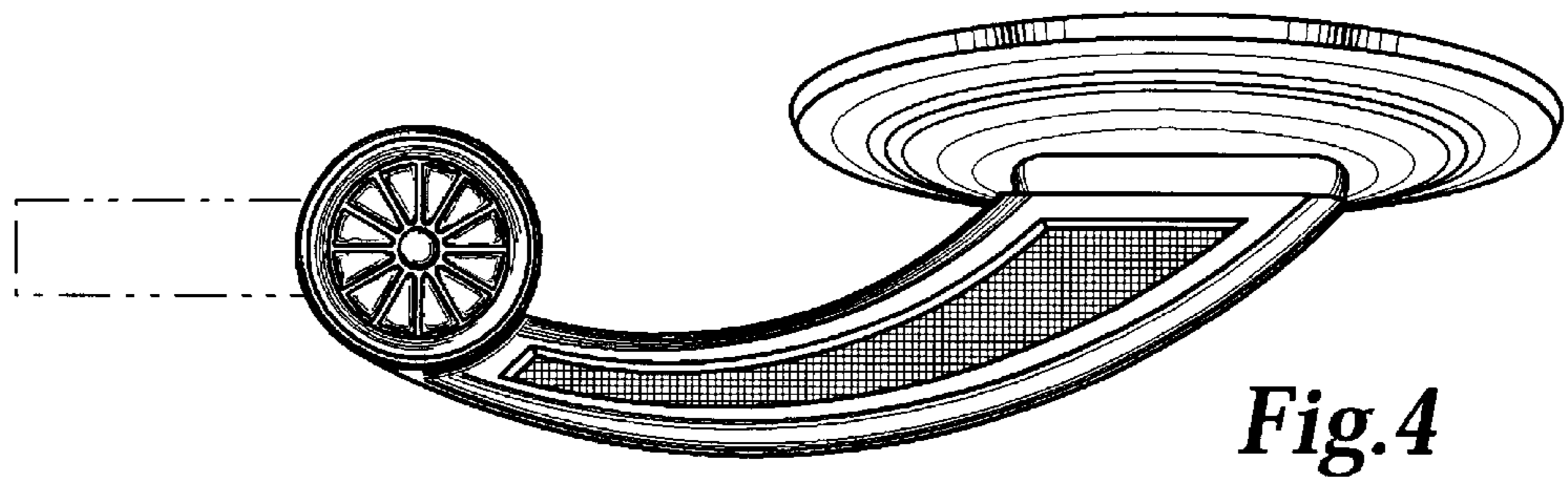
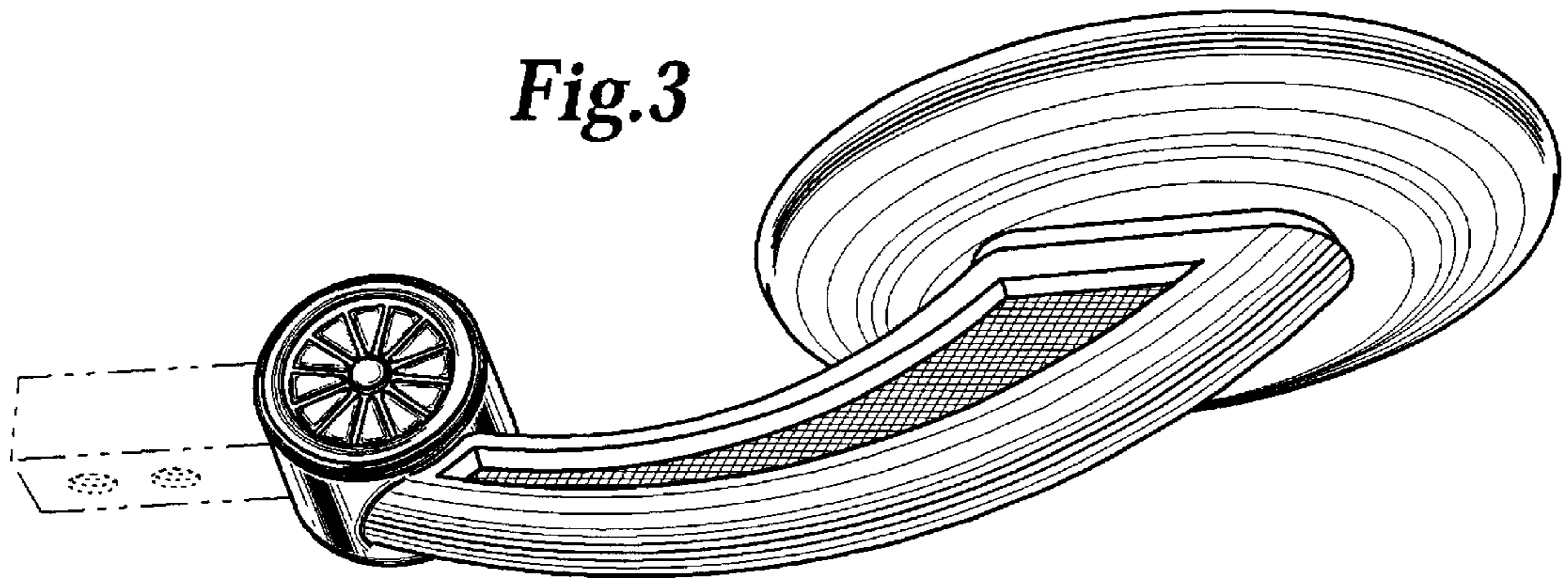


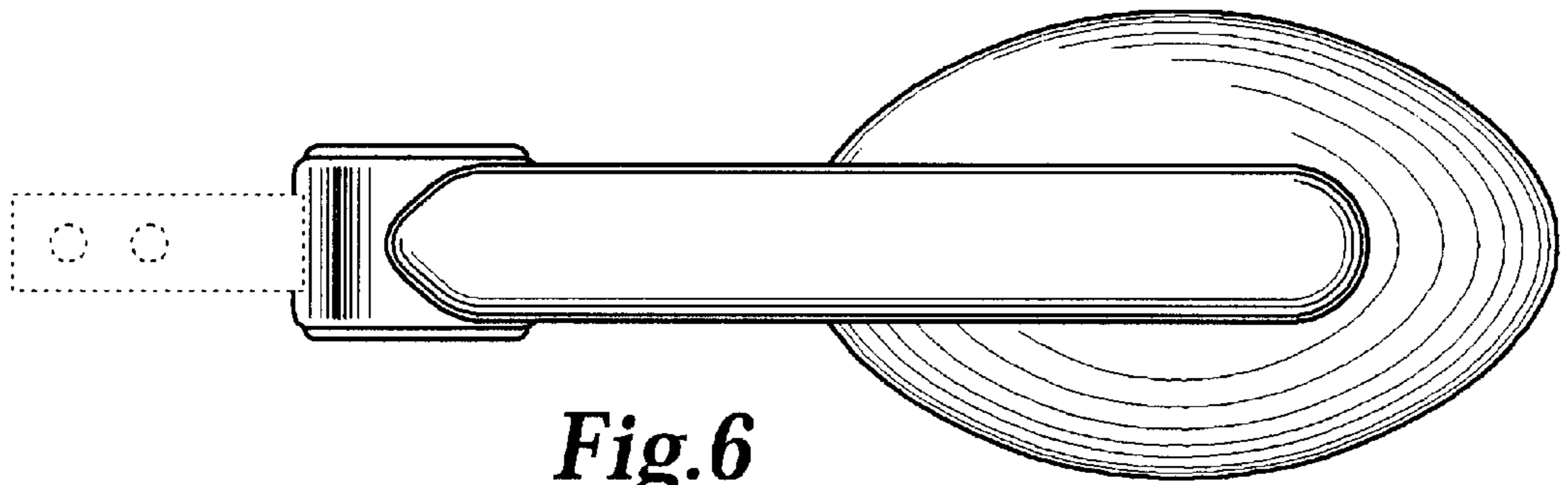


**Fig.1**

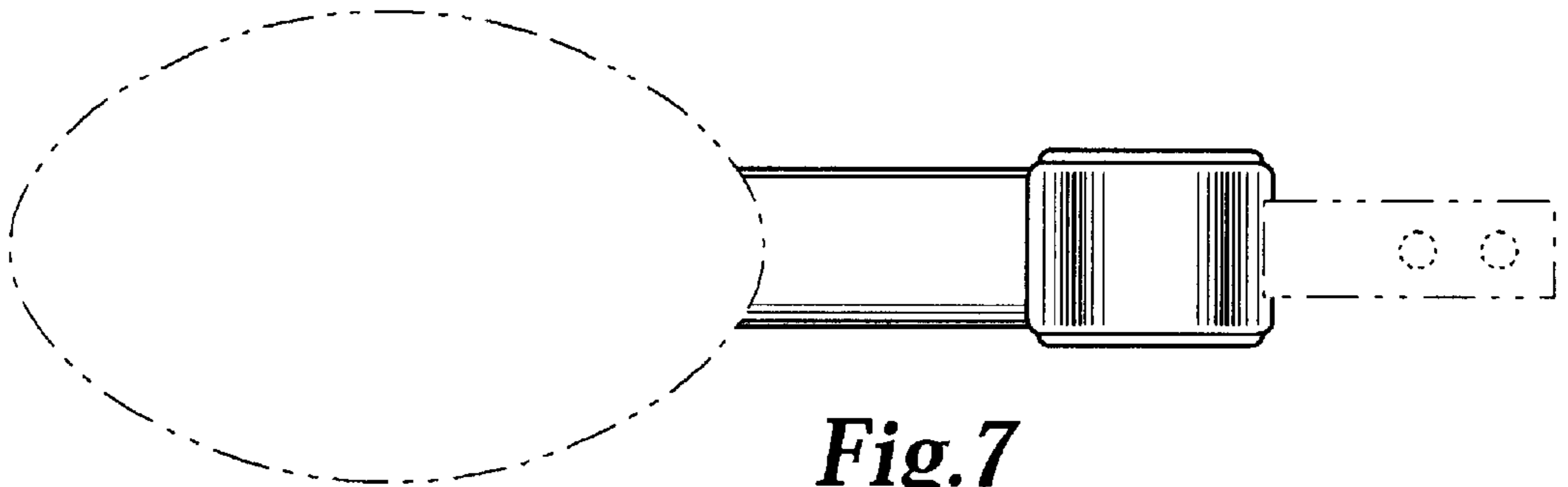


**Fig.2**

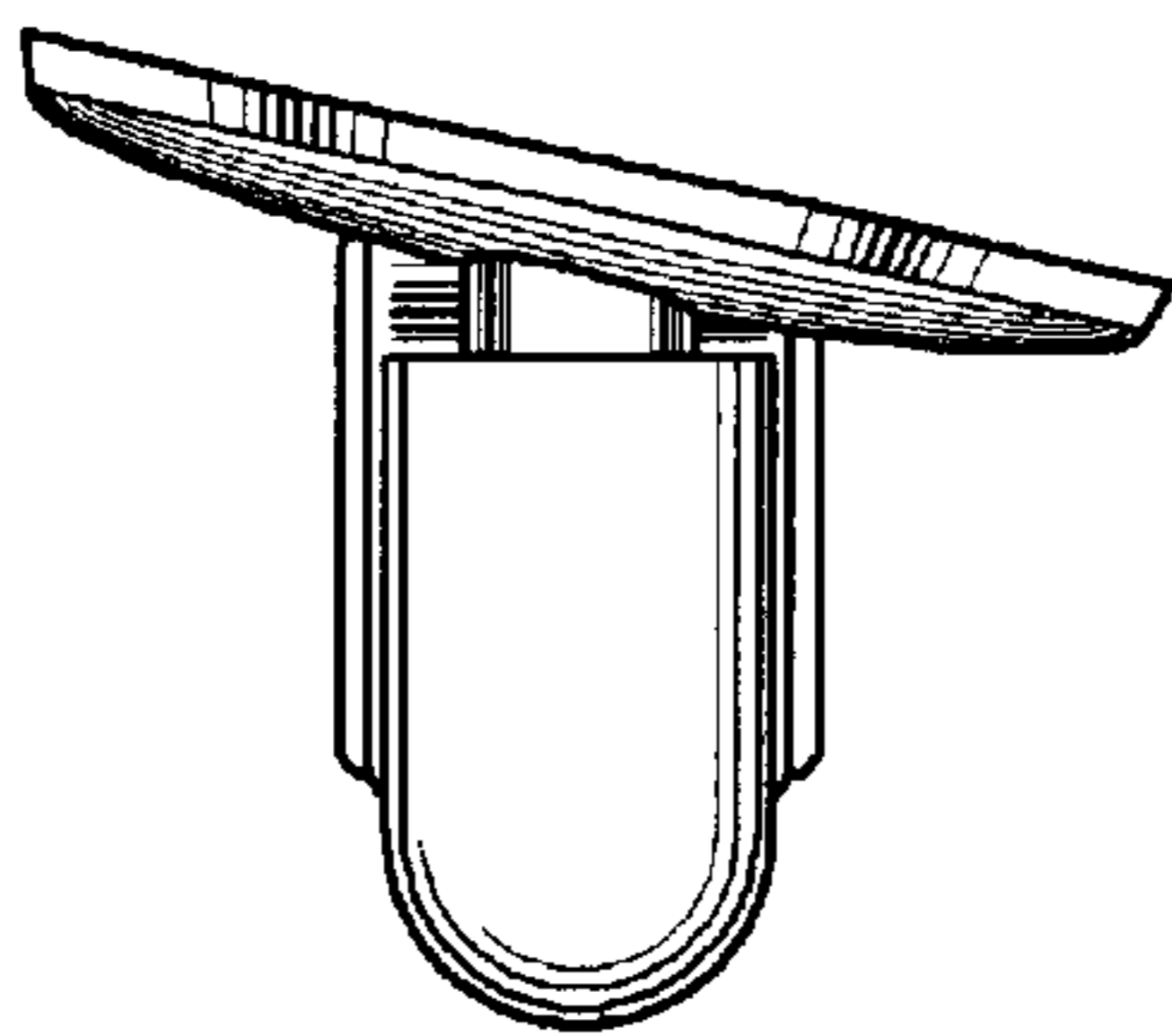




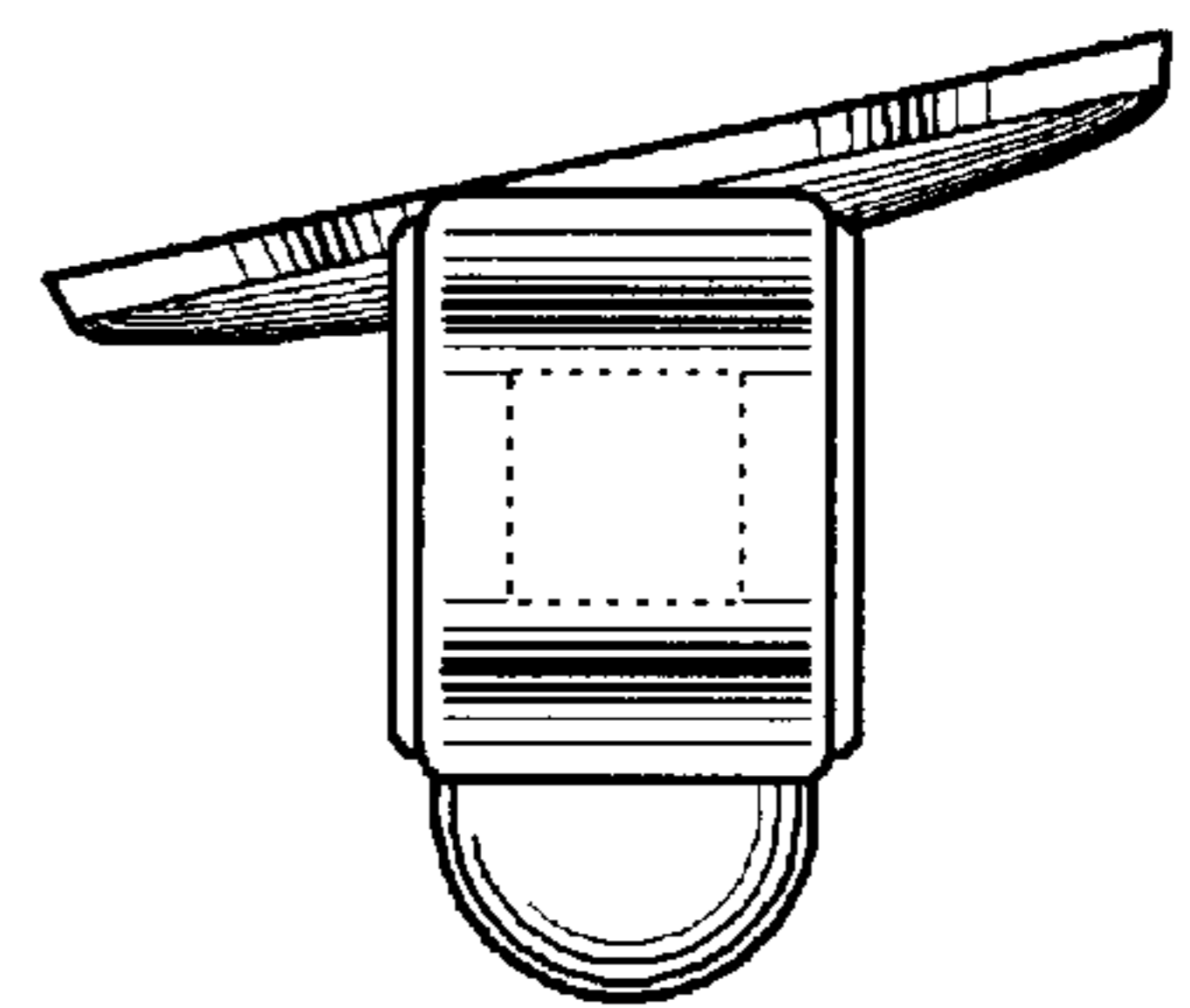
*Fig. 6*



*Fig. 7*



*Fig. 8*



*Fig. 9*