



US00D458362S

(12) **United States Design Patent**
Campbell

(10) **Patent No.:** **US D458,362 S**

(45) **Date of Patent:** **** Jun. 4, 2002**

(54) **CEILING FAN BLADE IRON**

(75) Inventor: **Glennbruce S. Campbell**, Memphis, TN (US)

(73) Assignee: **Hunter Fan Company**, Memphis, TN (US)

(**) Term: **14 Years**

(21) Appl. No.: **29/135,815**

(22) Filed: **Jan. 22, 2001**

(51) **LOC (7) Cl.** **23-04**

(52) **U.S. Cl.** **D23/411**

(58) **Field of Search** D23/411, 377, D23/379, 385; 416/5; 392/364; 362/96

(56) **References Cited**

U.S. PATENT DOCUMENTS

- D393,710 S * 4/1998 Gee, II D23/411
- D397,782 S * 9/1998 Gee, II D23/411

* cited by examiner

Primary Examiner—Lisa Lichtenstein
(74) *Attorney, Agent, or Firm*—Baker, Donelson Bearman & Caldwell

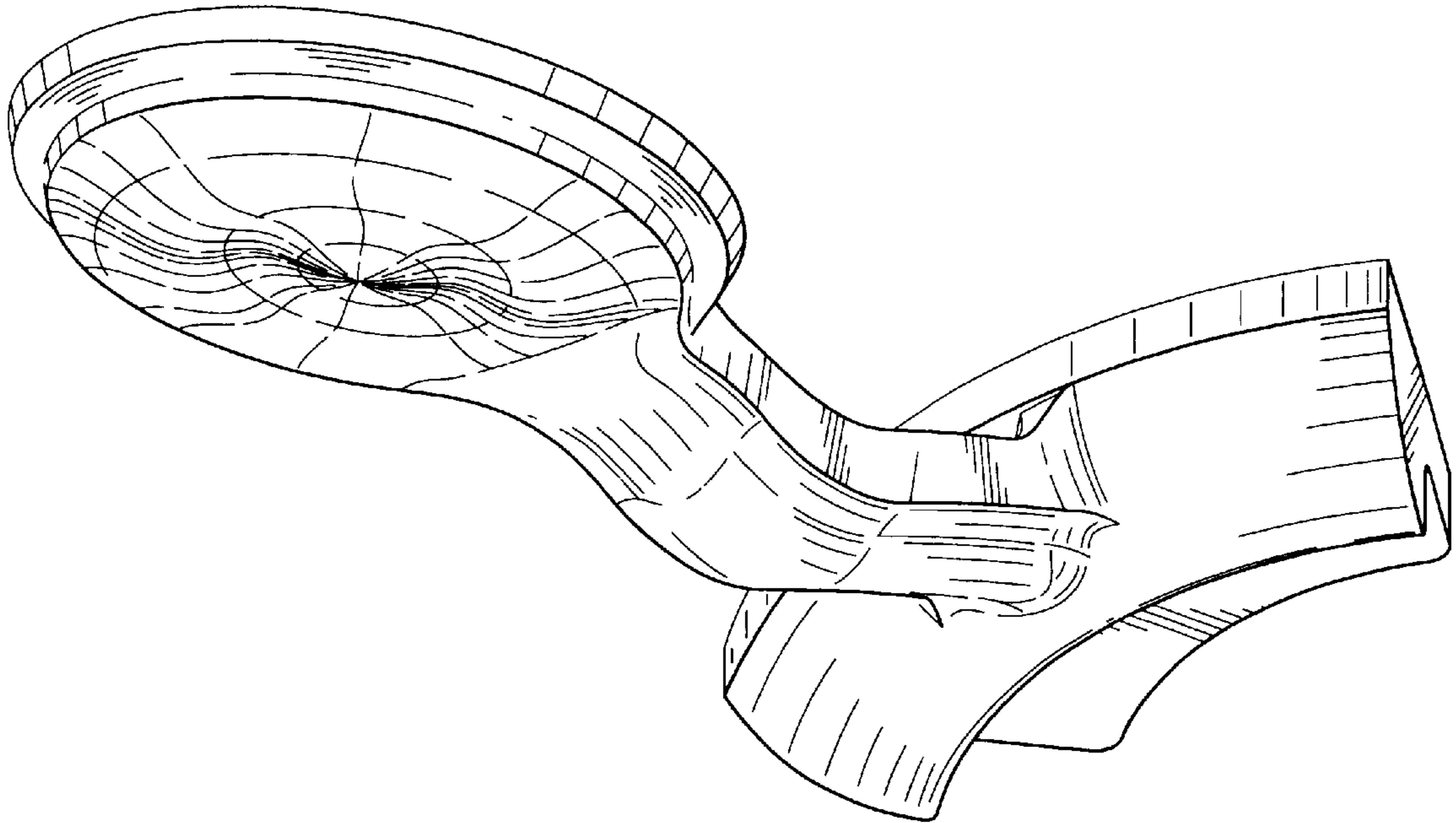
(57) **CLAIM**

The ornamental design for a ceiling fan blade iron, as shown and described.

DESCRIPTION

FIG. 1 is a perspective view of the ceiling fan blade iron showing my new design.
 FIG. 2 is an enlarged perspective view thereof.
 FIG. 3 is an enlarged front view thereof.
 FIG. 4 is an enlarged right side view thereof.
 FIG. 5 is an enlarged rear view thereof.
 FIG. 6 is an enlarged left view thereof.
 FIG. 7 is an enlarged top view thereof; and,
 FIG. 8 is an enlarged bottom view thereof.
 The broken lines in the views shows environmental features which are for illustrative purposes only and form no part of the claimed design.

1 Claim, 5 Drawing Sheets



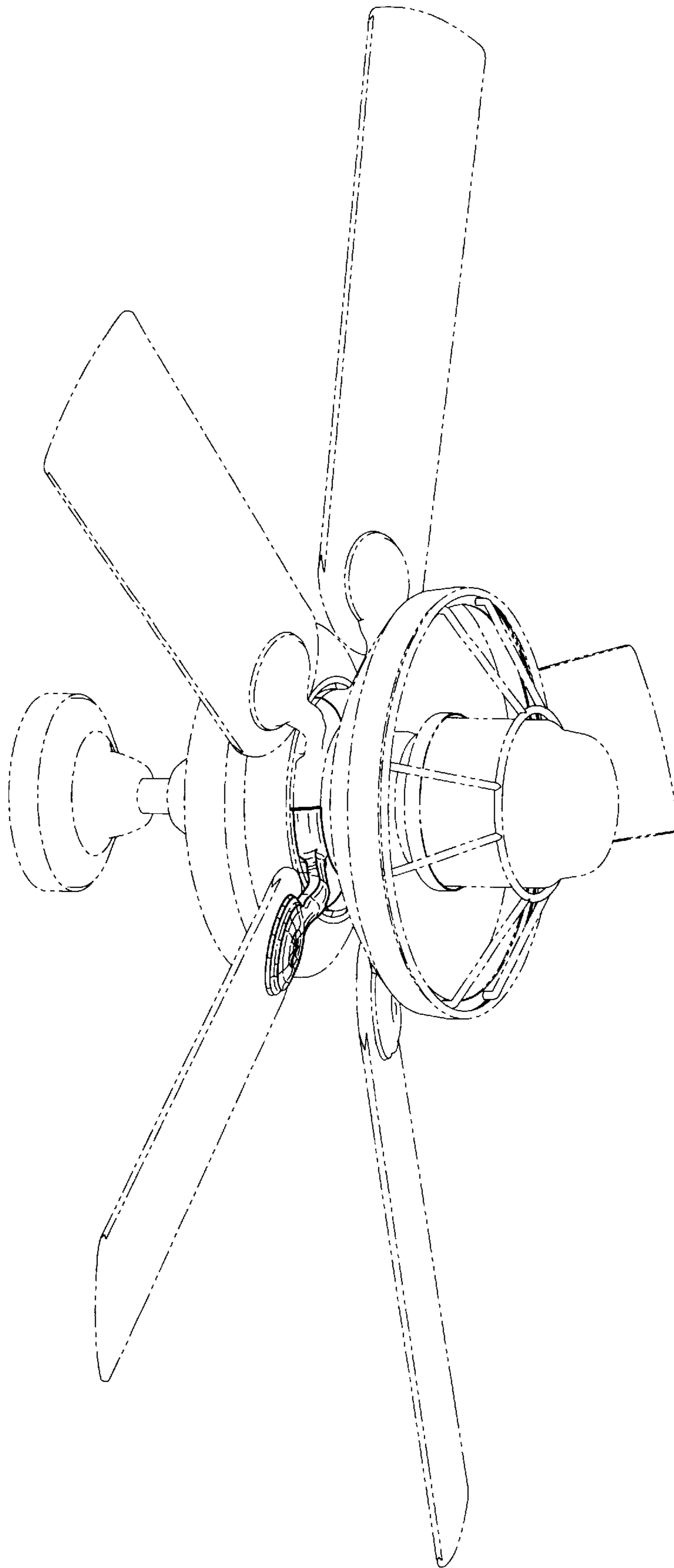


FIG 1

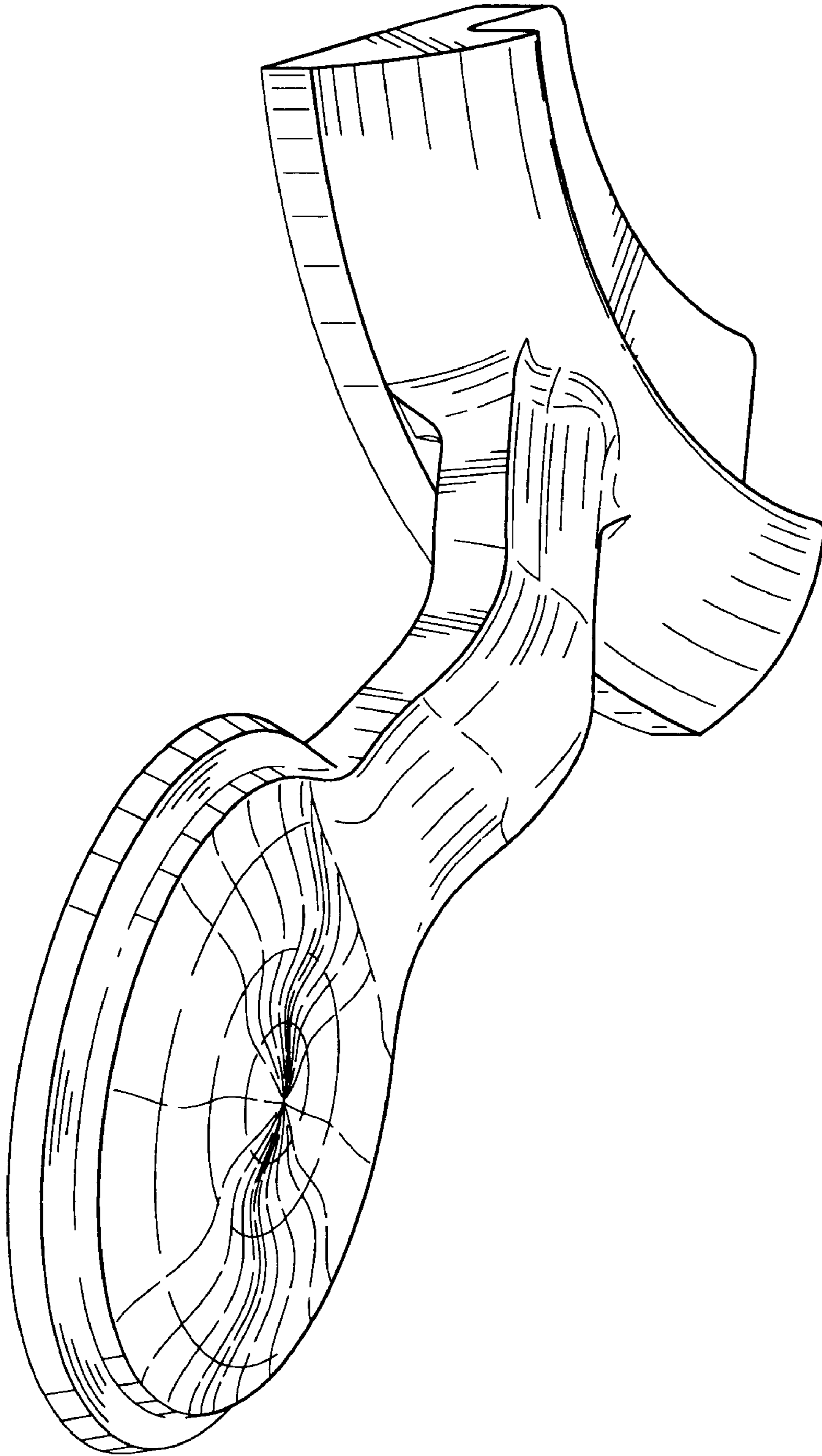


FIG 2

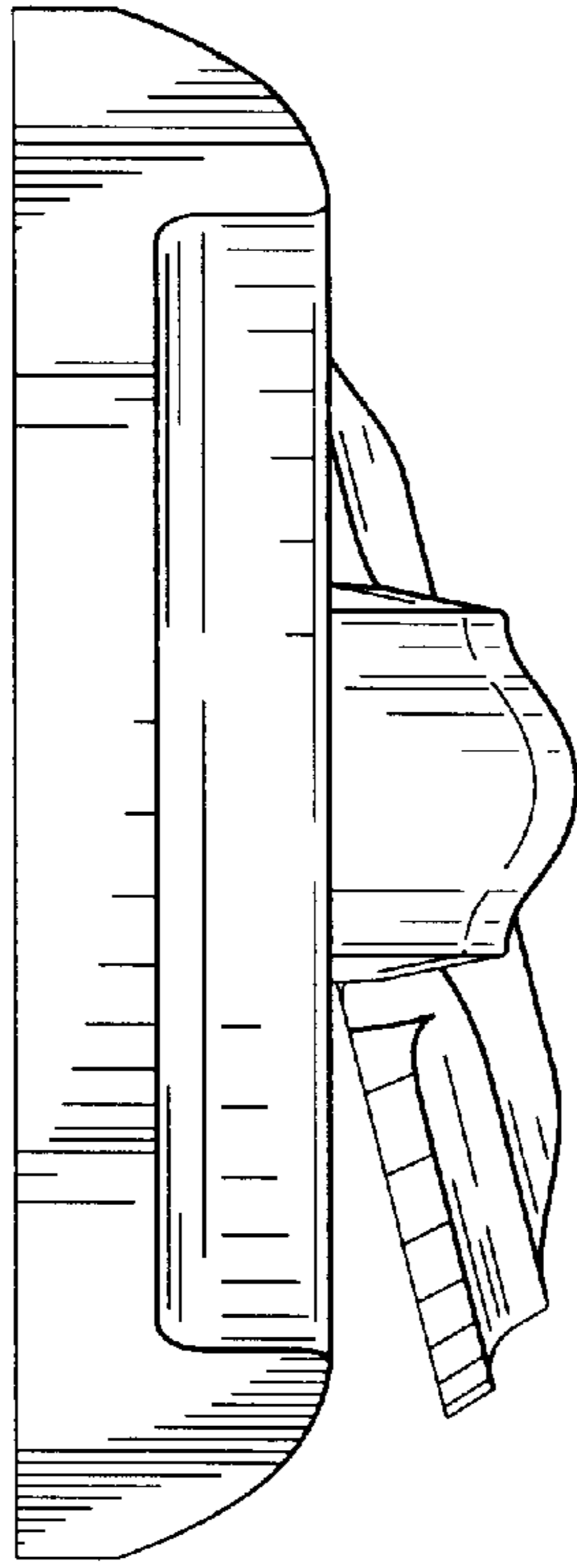


FIG 5

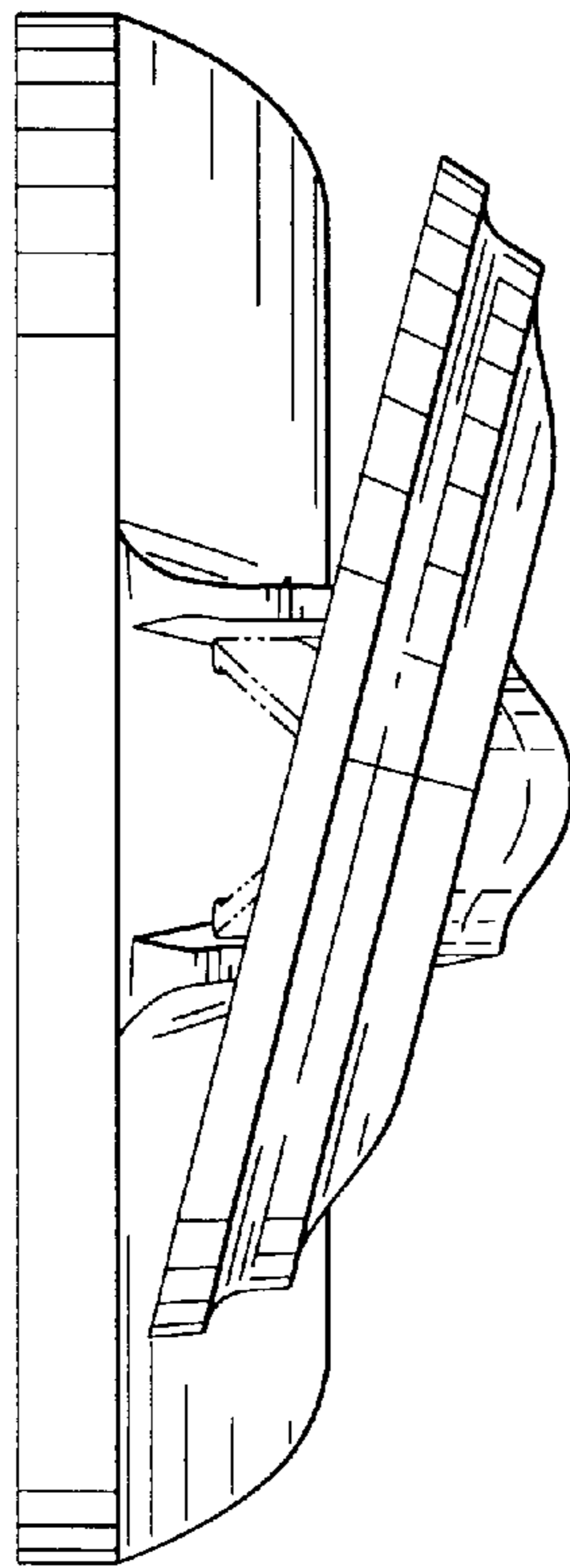


FIG 3

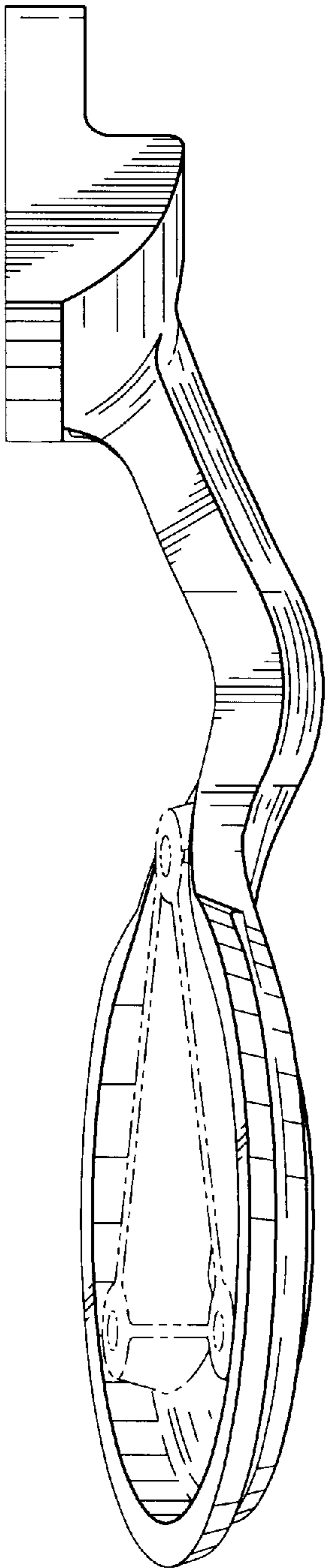


FIG 4

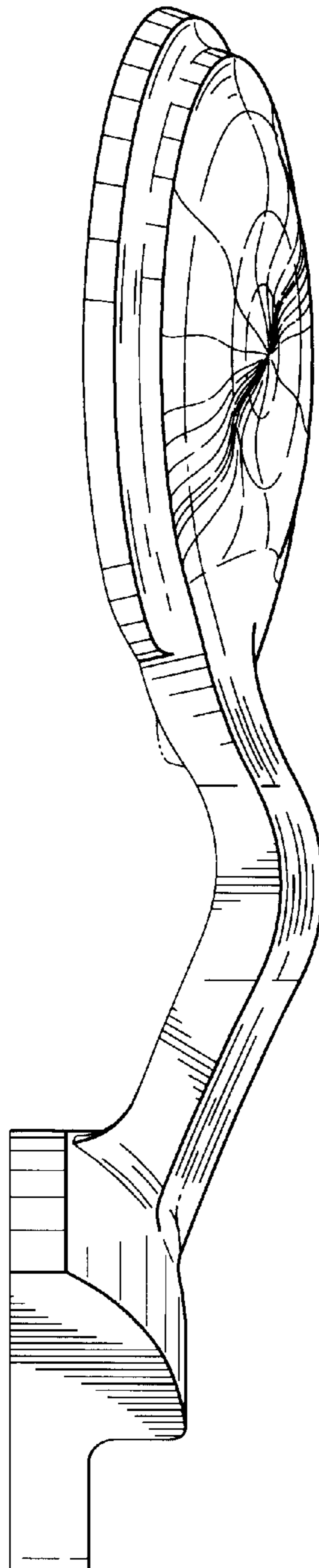


FIG 6

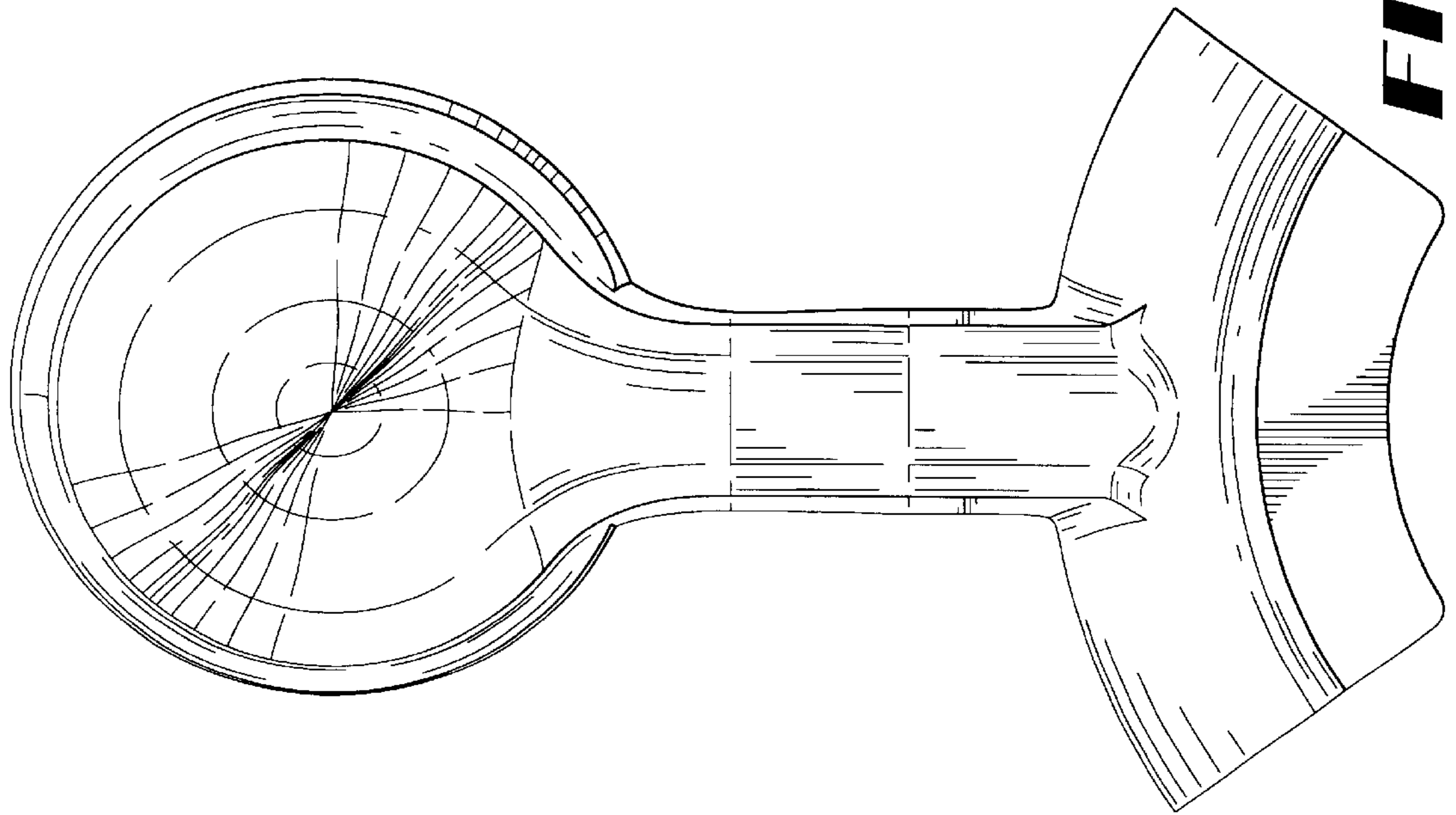


FIG 8

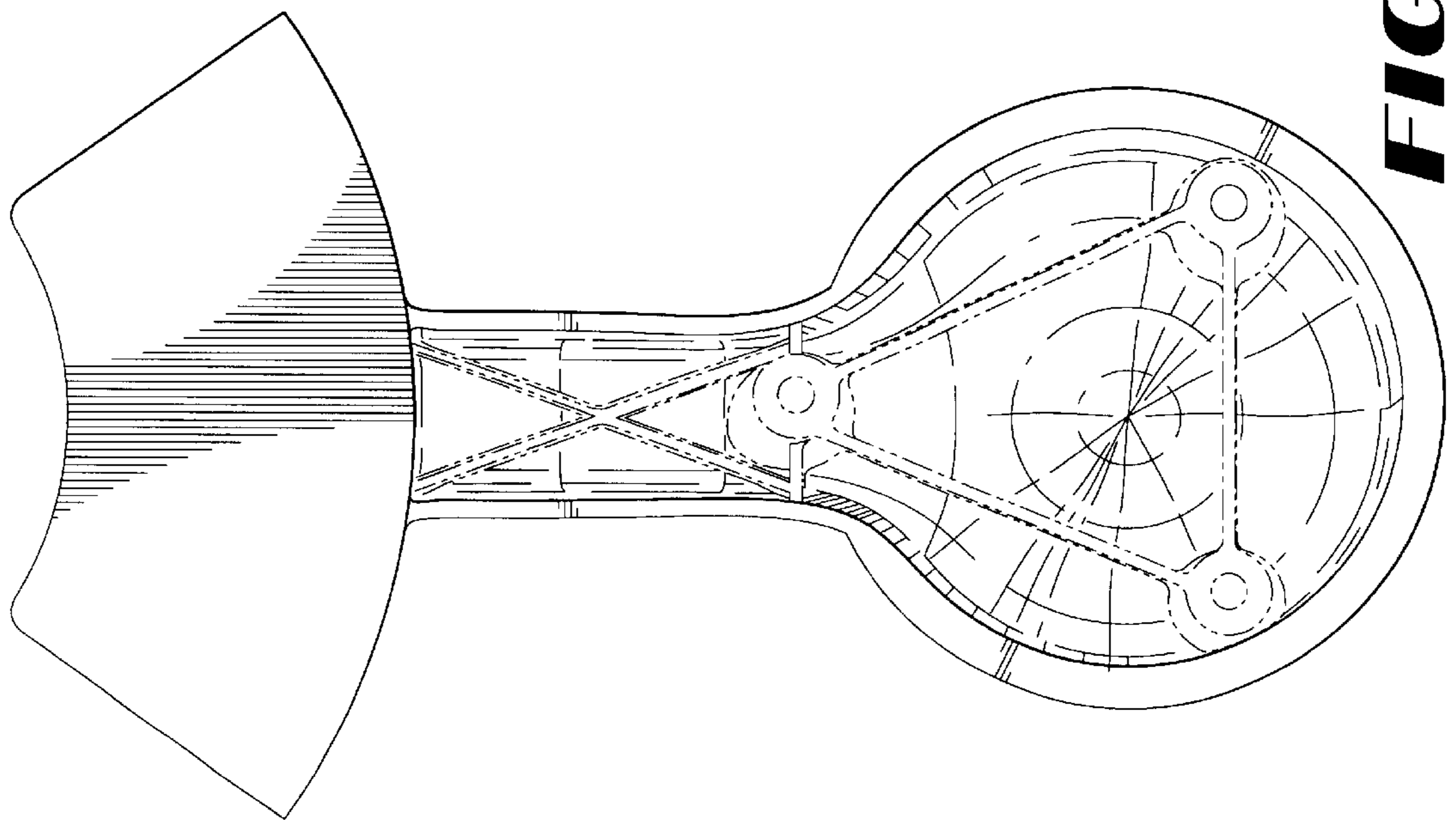


FIG 7