



US00D458361S

(12) **United States Design Patent**  
**Melwani**

(10) **Patent No.:** **US D458,361 S**

(45) **Date of Patent:** **\*\* Jun. 4, 2002**

(54) **ELECTRIC FAN**

D387,153 S \* 12/1997 Fok ..... D23/382  
D429,326 S \* 8/2000 Fok ..... D23/381

(75) Inventor: **Ravin G Melwani, Kowloon (HK)**

\* cited by examiner

(73) Assignee: **B.K. Rekhatek (H.K.) Ltd., Kowloon (HK)**

*Primary Examiner*—Lisa Lichtenstein

(\*\*) Term: **14 Years**

(74) *Attorney, Agent, or Firm*—Leydig, Voit & Mayer, Ltd.

(21) Appl. No.: **29/152,509**

(57) **CLAIM**

(22) Filed: **Dec. 26, 2001**

The ornamental design for an electric fan, as shown and described.

(30) **Foreign Application Priority Data**

**DESCRIPTION**

Aug. 23, 2001 (HK) ..... 0111275

FIG. 1 is a front elevational view of an electric fan showing my new design;

(51) **LOC (7) Cl.** ..... **23-04**

FIG. 2 is a rear elevational view thereof;

(52) **U.S. Cl.** ..... **D23/379**

FIG. 3 is a right side elevational view thereof;

(58) **Field of Search** ..... D23/379, 381,  
D23/370; 416/247 R, 246 R

FIG. 4 is a left side elevational view thereof;

FIG. 5 is a top plan view thereof; and,

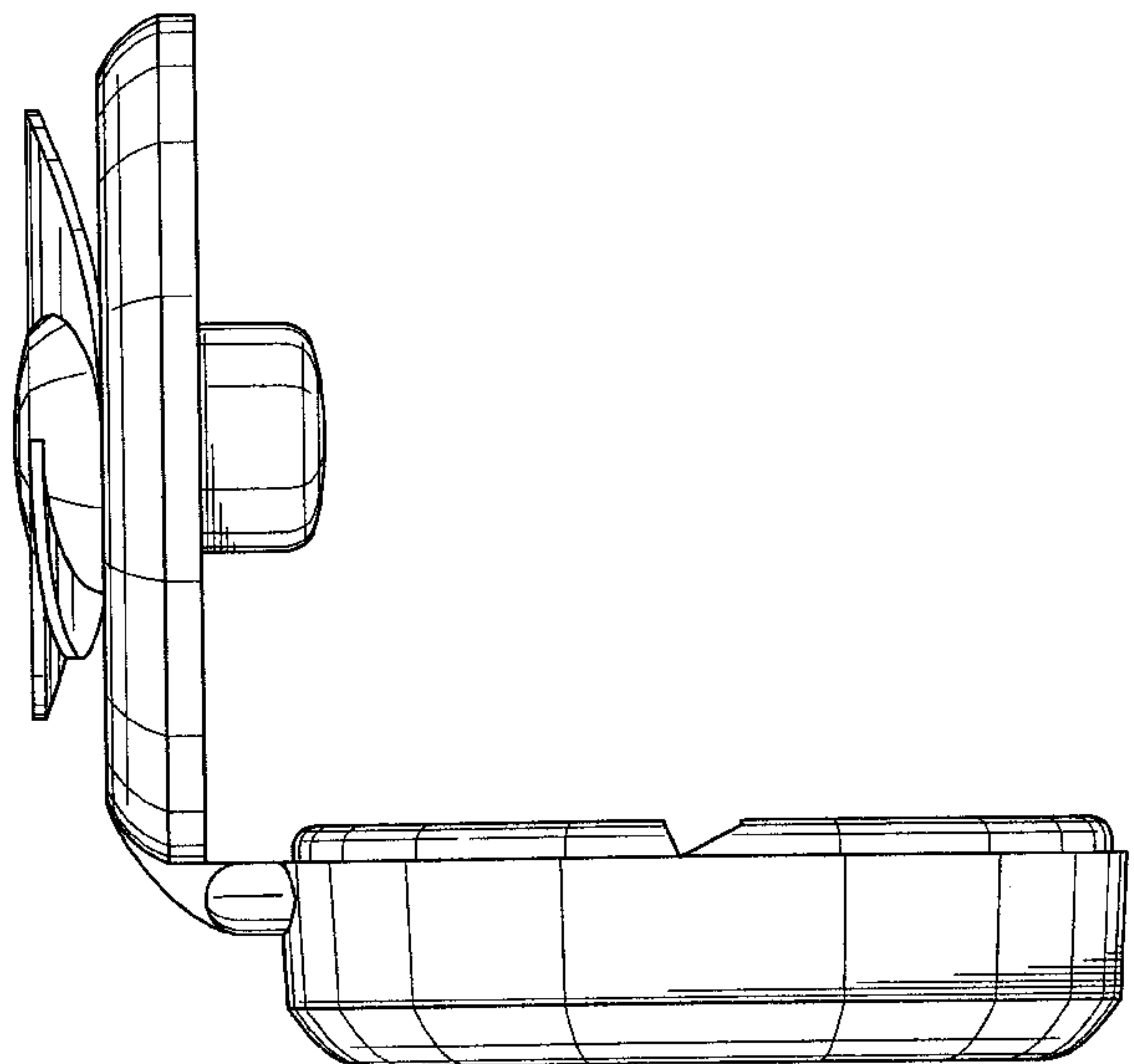
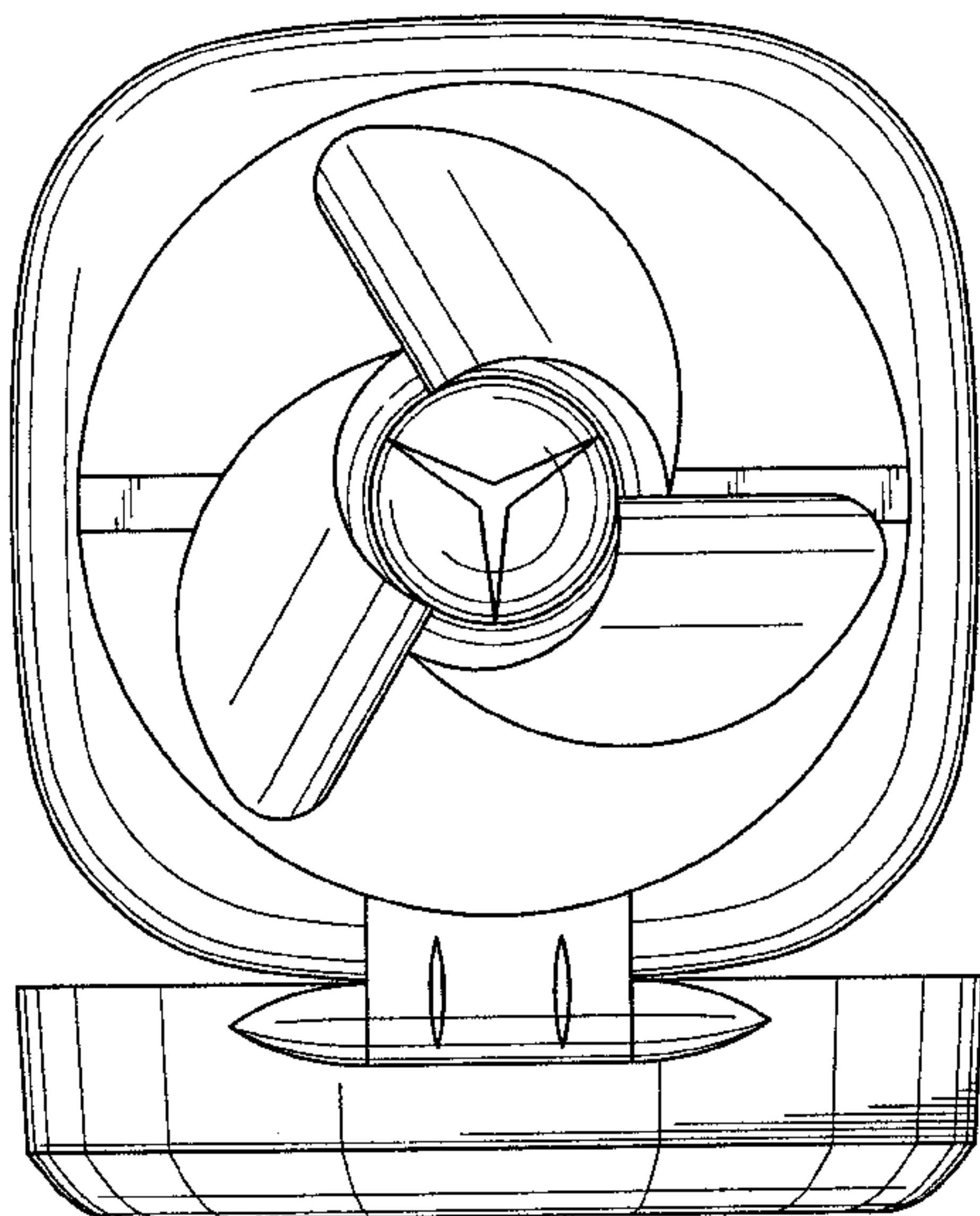
FIG. 6 is a bottom plan view thereof.

(56) **References Cited**

**U.S. PATENT DOCUMENTS**

D387,151 S \* 12/1997 Fok ..... D23/381

**1 Claim, 3 Drawing Sheets**



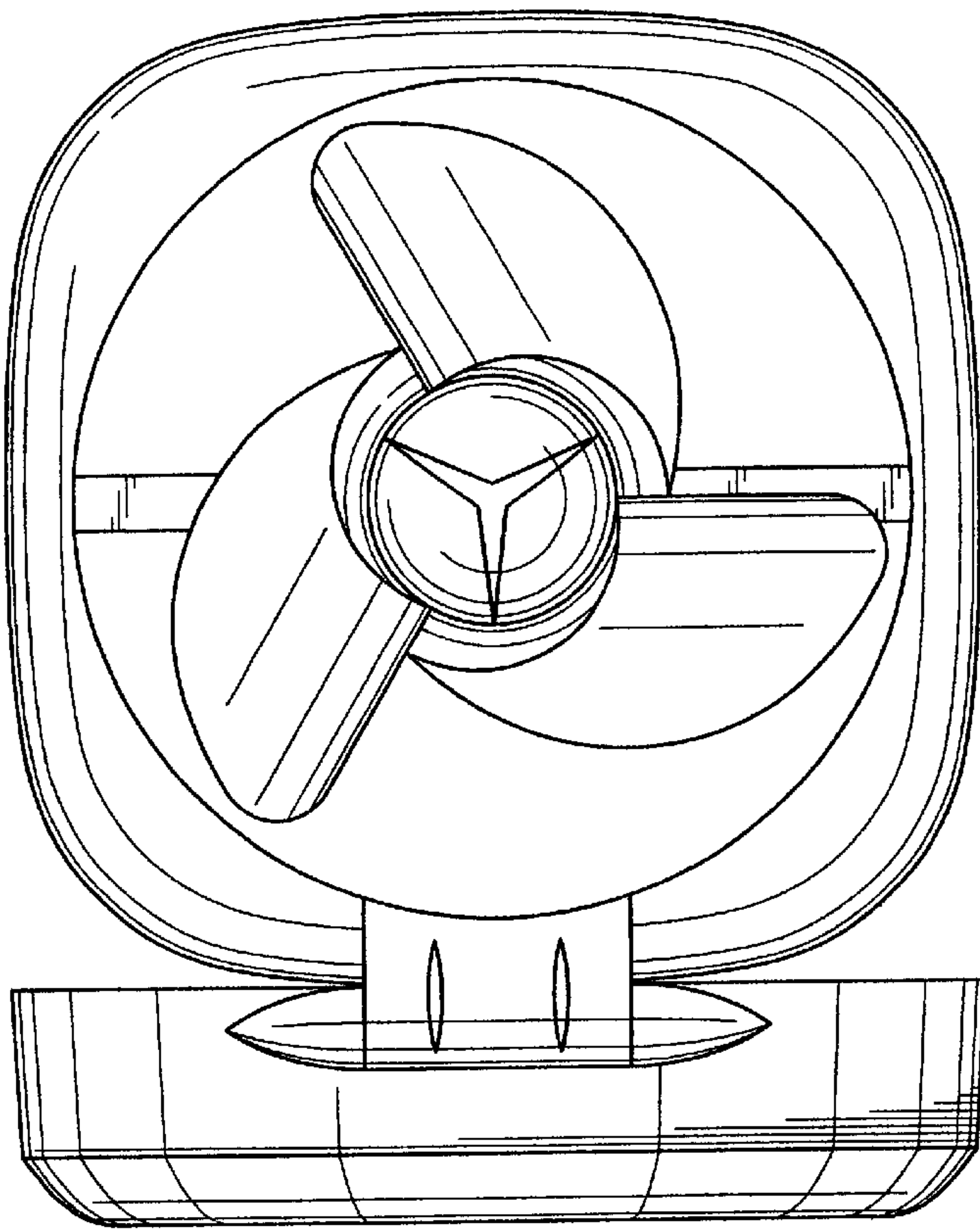


FIG. 1

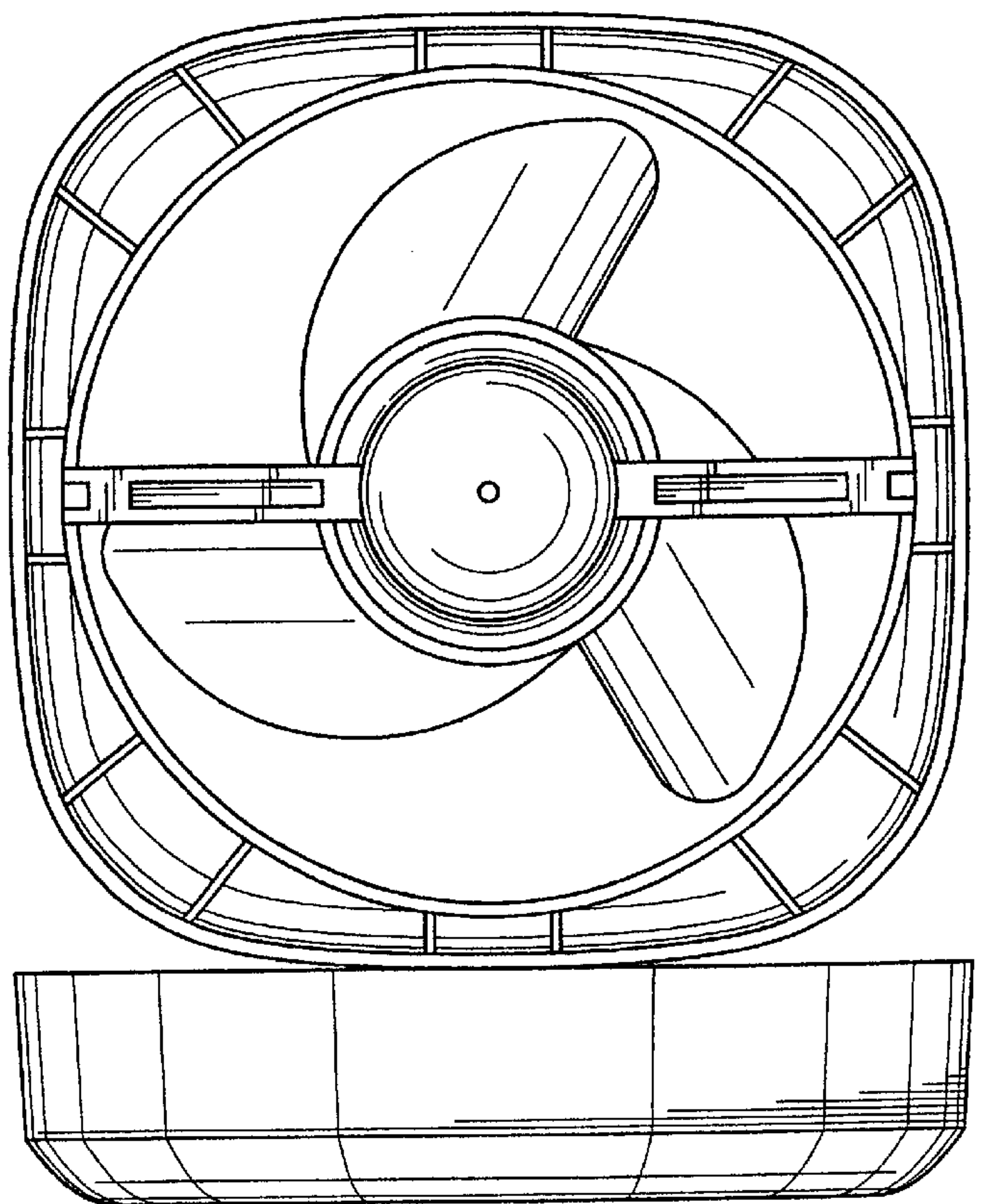


FIG. 2

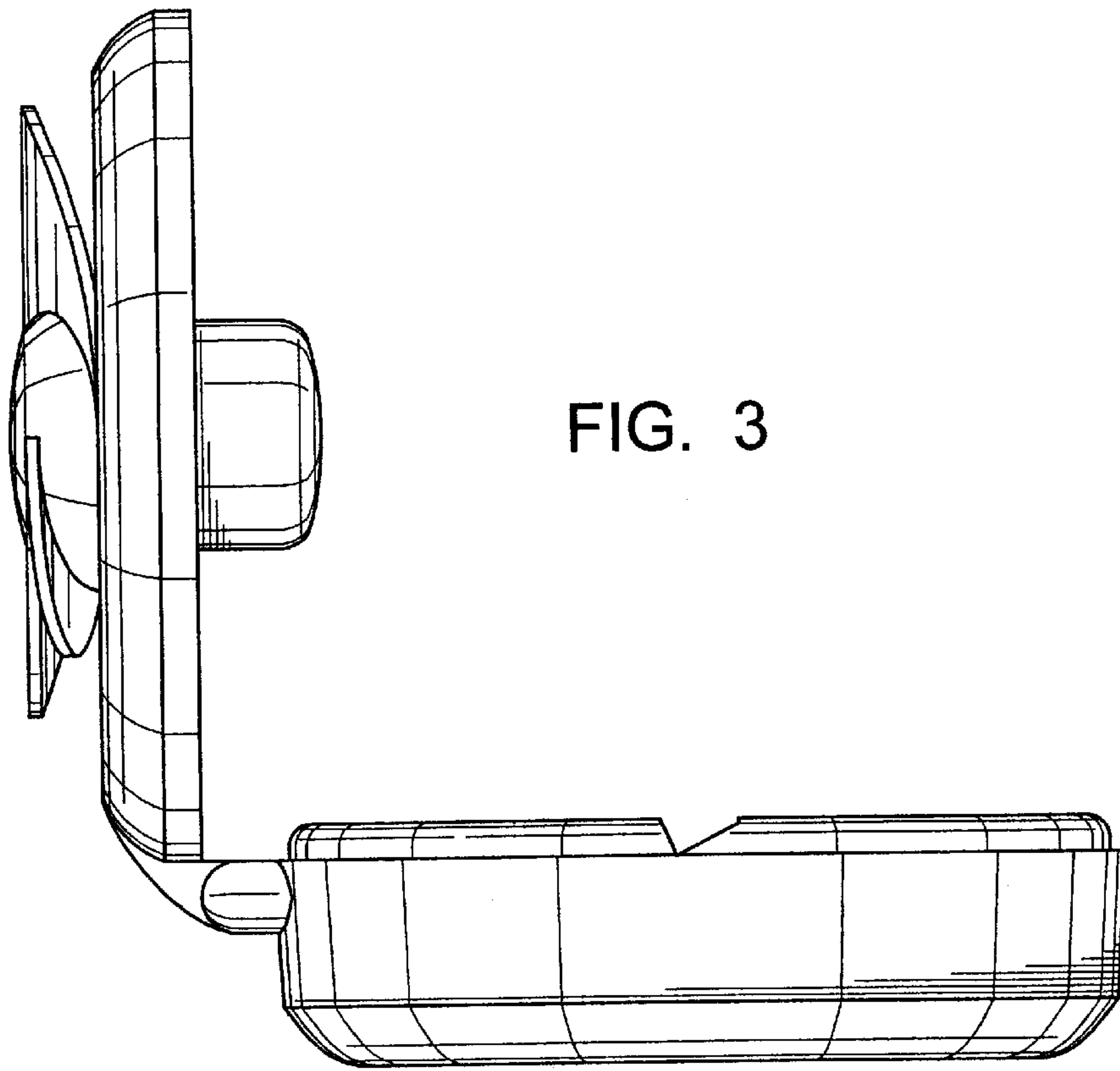


FIG. 3

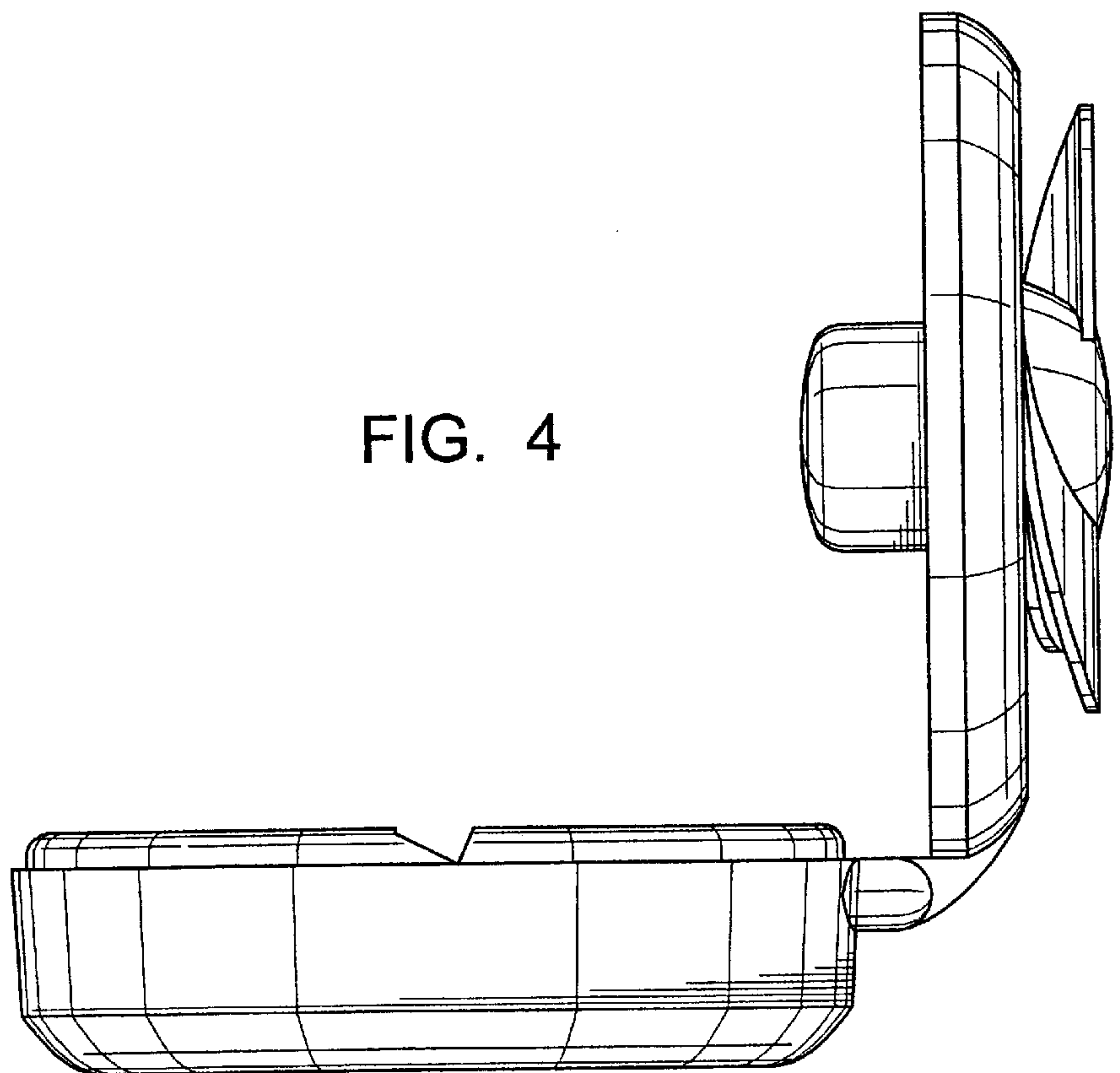


FIG. 4

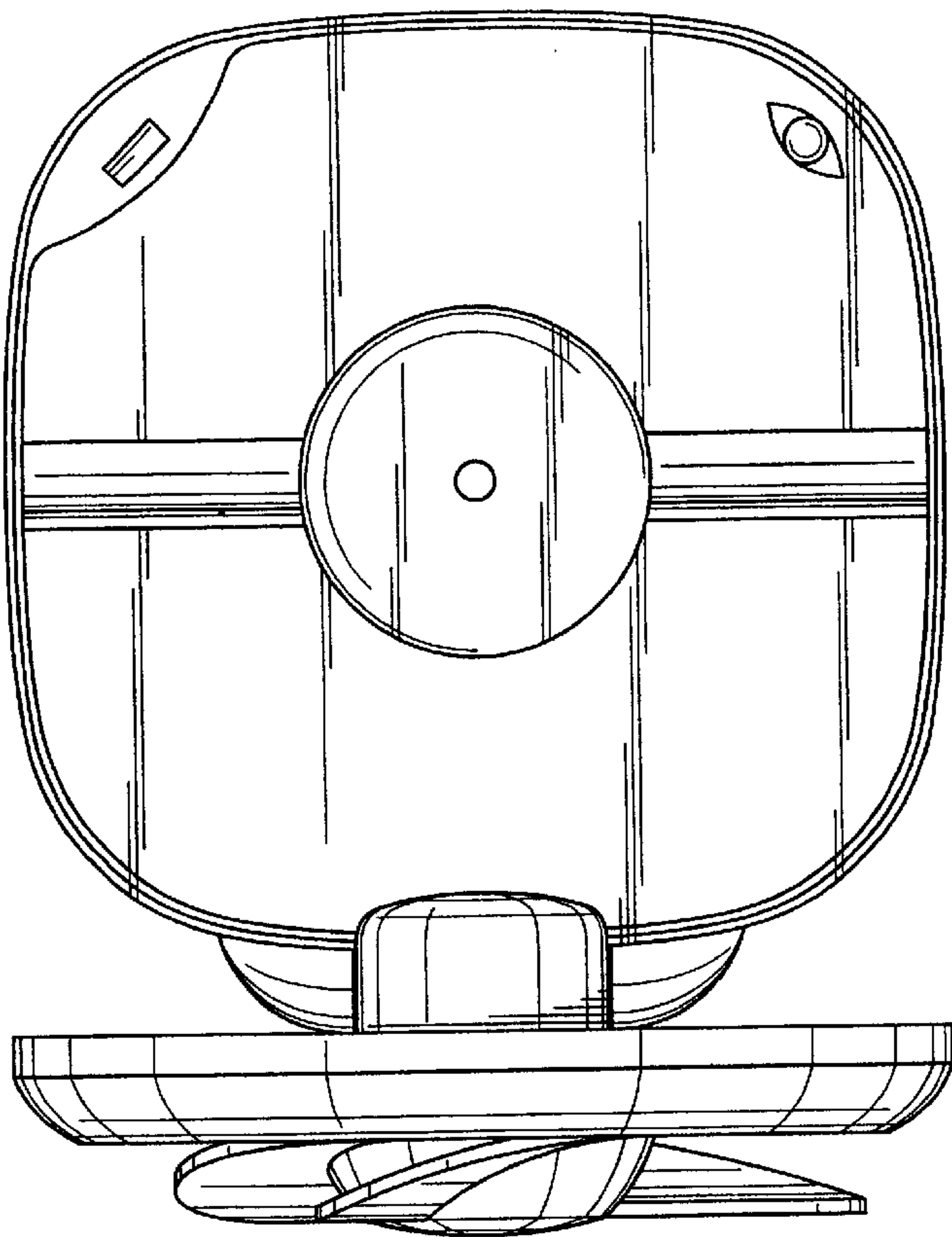


FIG. 5

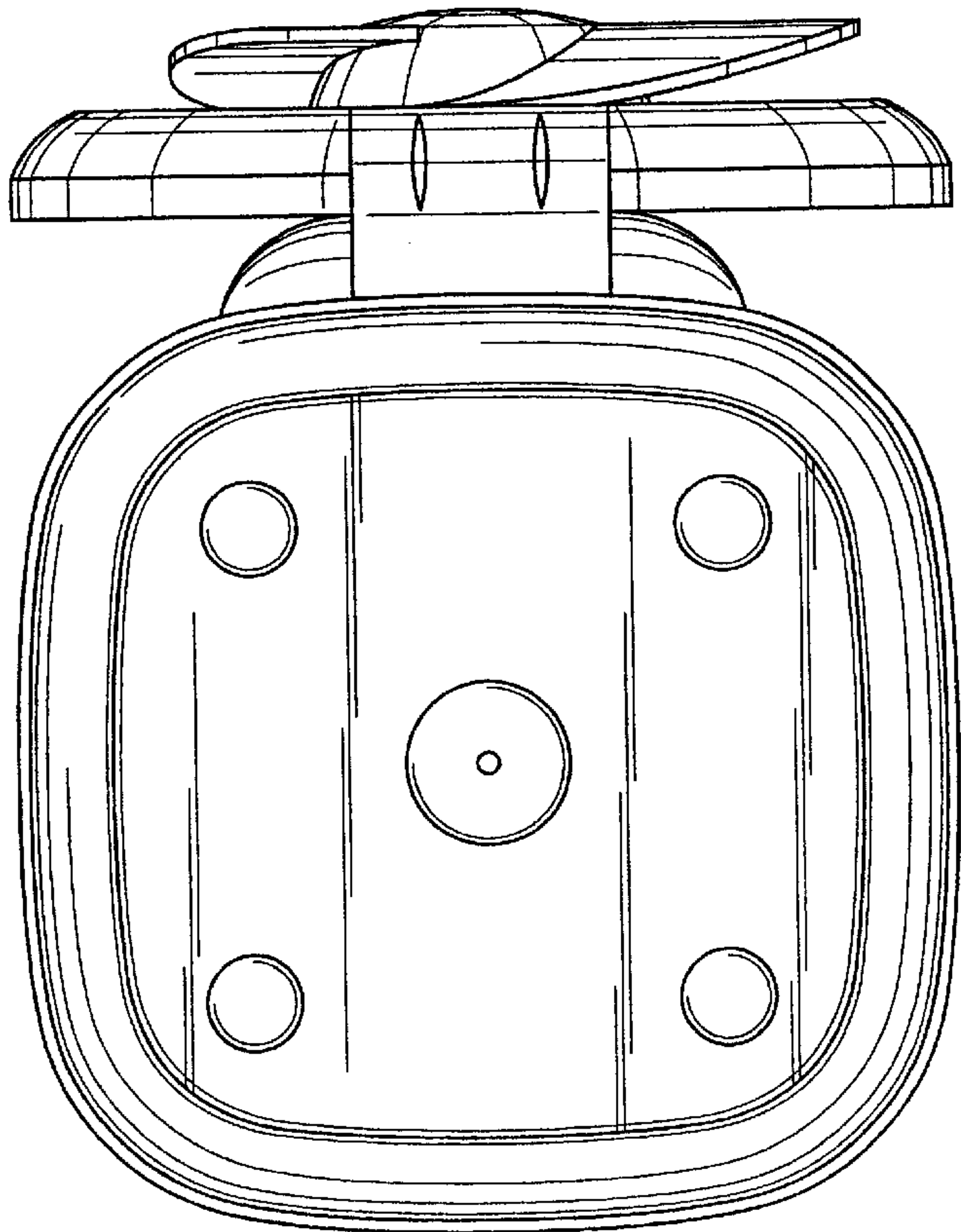


FIG. 6