



US00D458360S

(12) **United States Design Patent**
Roncheitto

(10) **Patent No.:** **US D458,360 S**

(45) **Date of Patent:** **** Jun. 4, 2002**

(54) **CHIMNEY DECORATION**

(76) Inventor: **Wally A. Roncheitto**, 2207 State St.,
Santa Barbara, CA (US) 93105

(**) Term: **14 Years**

(21) Appl. No.: **29/121,848**

(22) Filed: **Apr. 14, 2000**

(51) **LOC (7) Cl.** **23-04**

(52) **U.S. Cl.** **D23/374**

(58) **Field of Search** 454/21; D23/374

(56) **References Cited**

U.S. PATENT DOCUMENTS

901,085 A	*	10/1908	Escher	454/21
1,358,314 A	*	11/1920	Jezova	454/21
3,525,207 A	*	8/1970	Kawai	454/21

* cited by examiner

Primary Examiner—Lisa Lichtenstein

(74) *Attorney, Agent, or Firm*—Koppel, Jacobs, Patrick & Heybl

(57) **CLAIM**

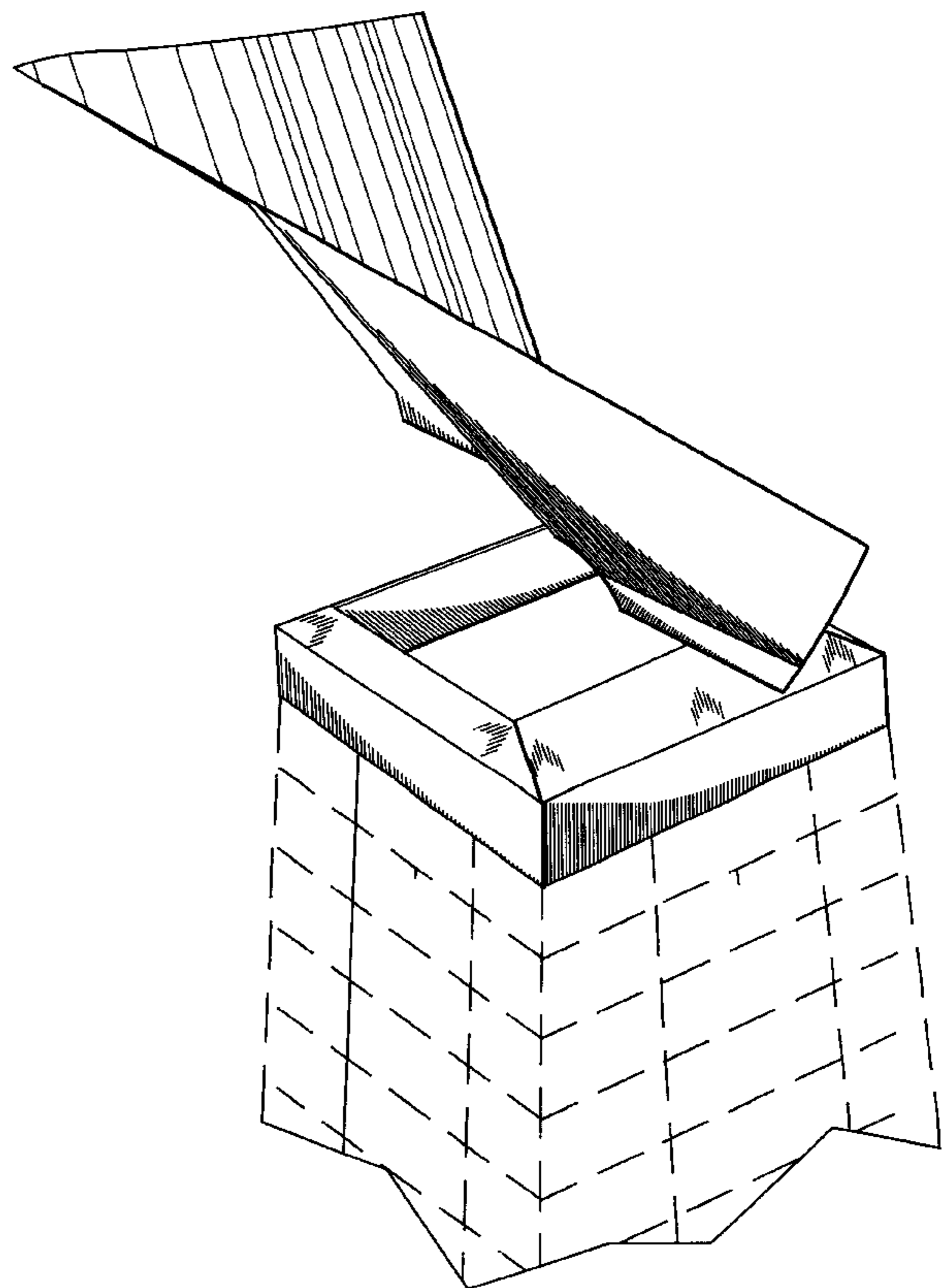
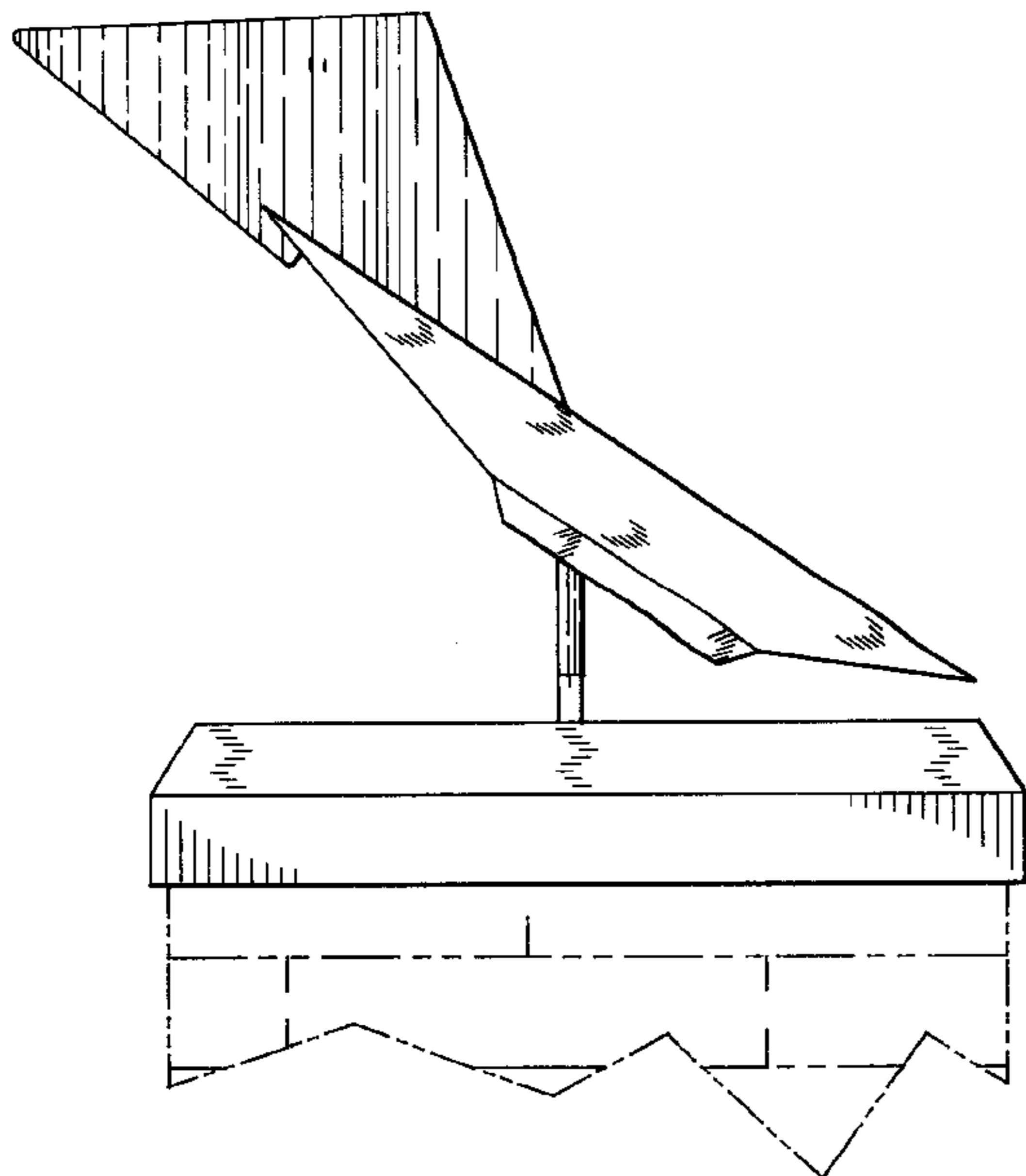
The ornamental design for a chimney decoration, as shown and described.

DESCRIPTION

FIG. 1 is a left elevation view of a chimney decoration, the right elevation being identical;
 FIG. 2 is a front elevation view thereof, the rear elevation view being identical;
 FIG. 3 is a top plan view thereof;
 FIG. 4 is a bottom plan view thereof;
 FIG. 5 is a bottom perspective view thereof; and
 FIG. 6 is a top perspective view thereof;
 FIG. 7 is a left elevation view of another form of a chimney decoration;
 FIG. 8 is a right elevation view thereof;
 FIG. 9 is a front elevation view thereof;
 FIG. 10 is a rear elevation view thereof;
 FIG. 11 is a top plan view thereof; and,
 FIG. 12 is a perspective view thereof.

The broken line showing of environmental structure in FIGS. 1–7 is for illustrative purposes only and forms no part of the claimed design.

1 Claim, 6 Drawing Sheets



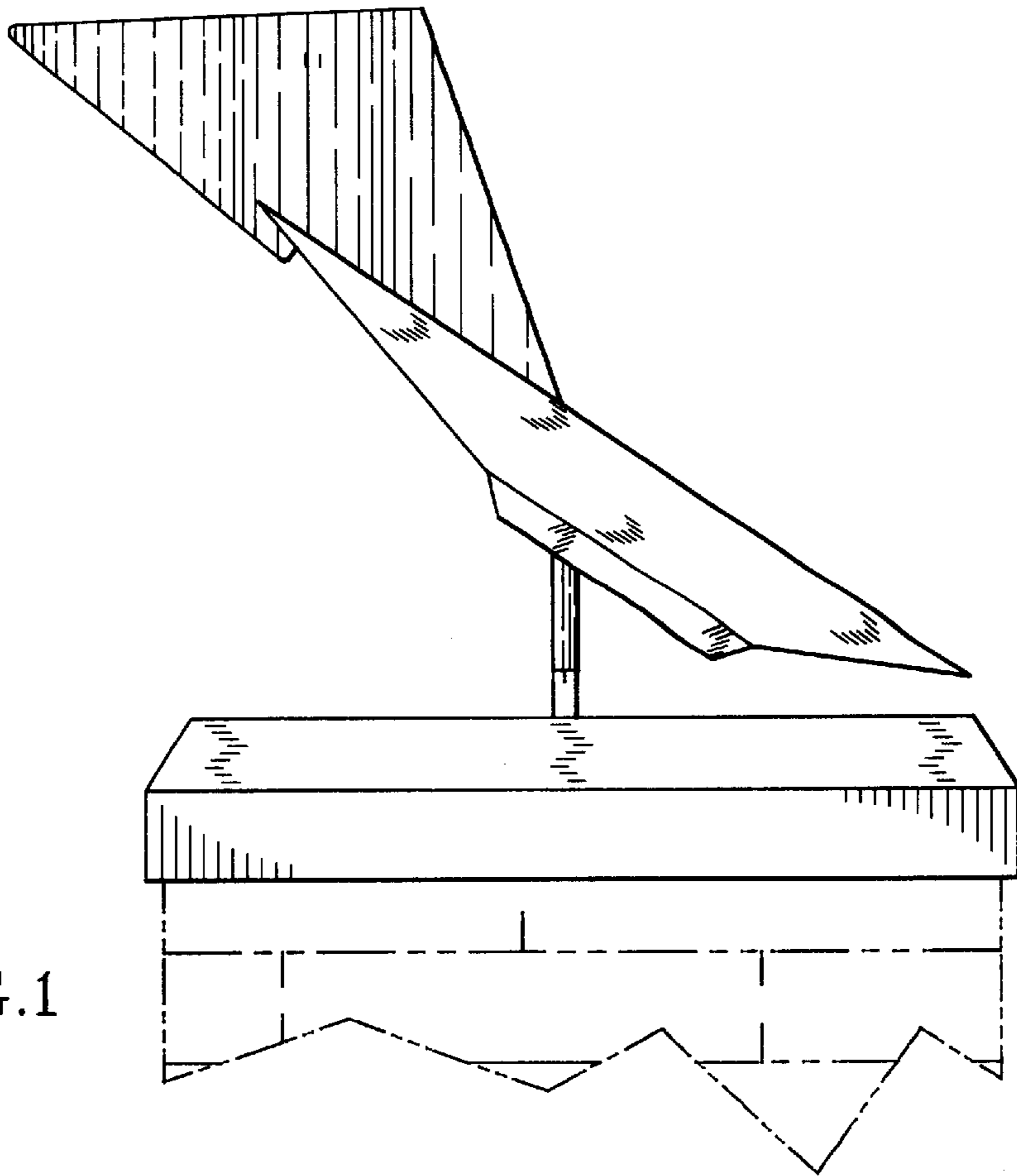


FIG. 1

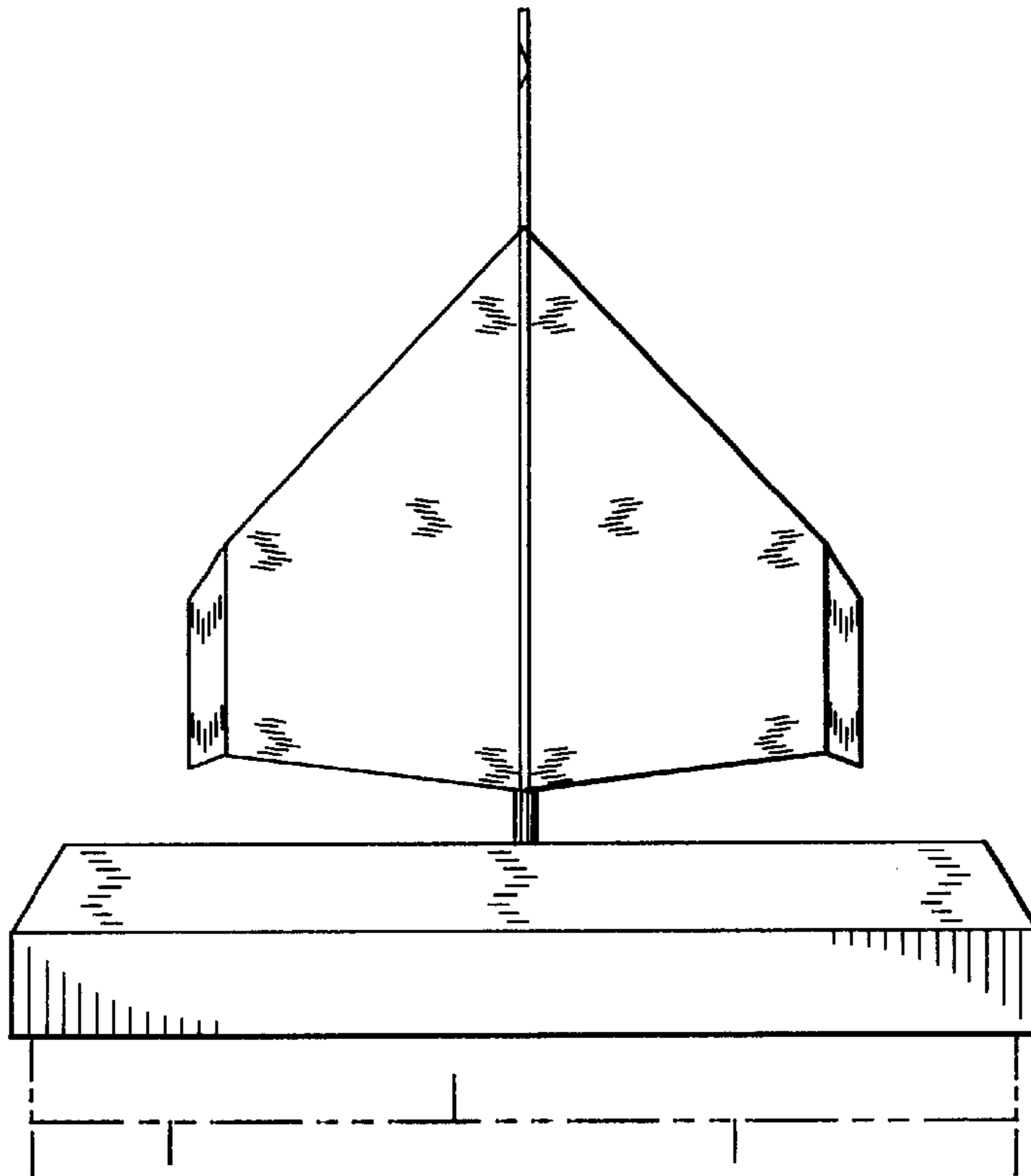


FIG. 2

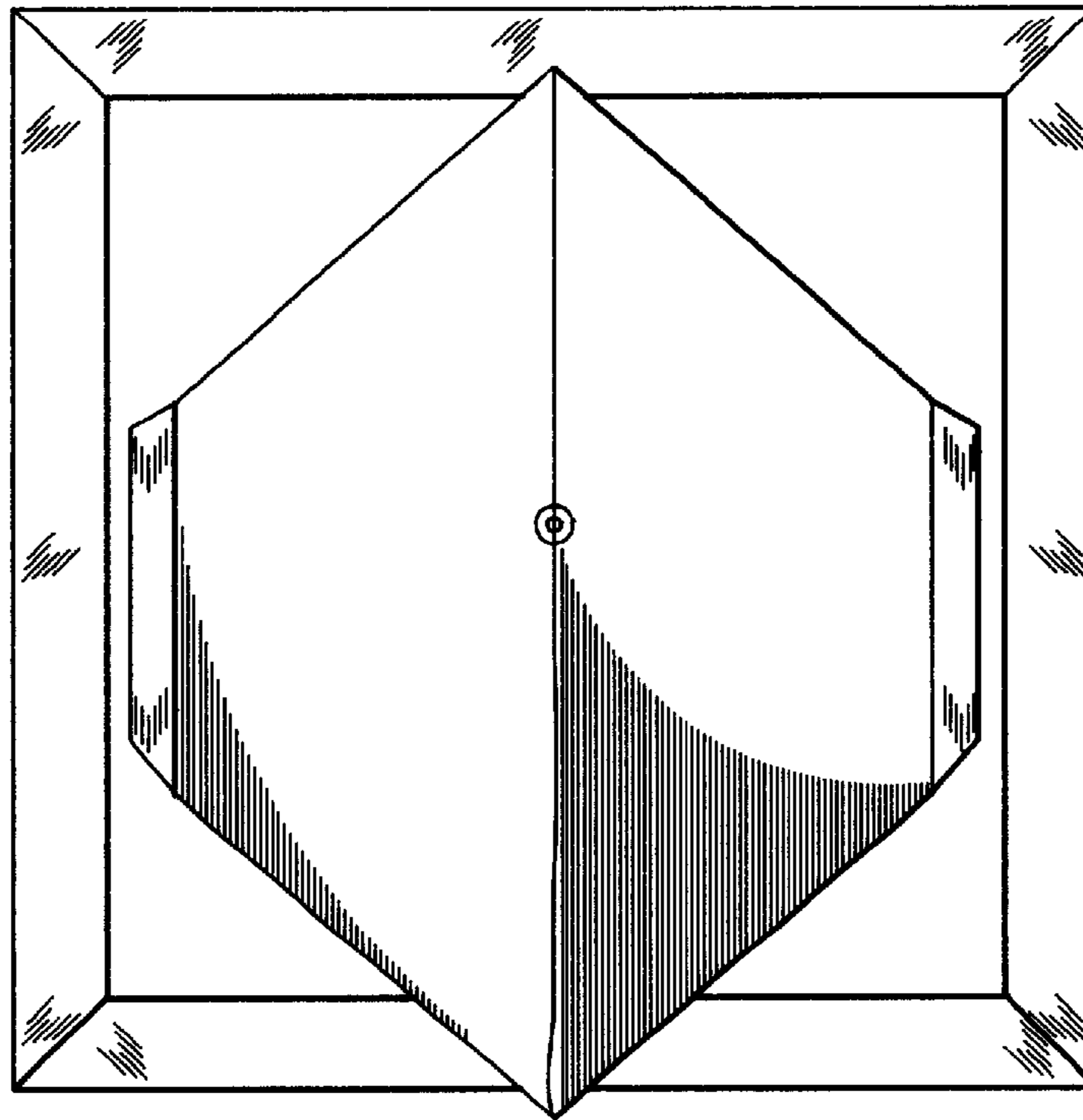


FIG. 3

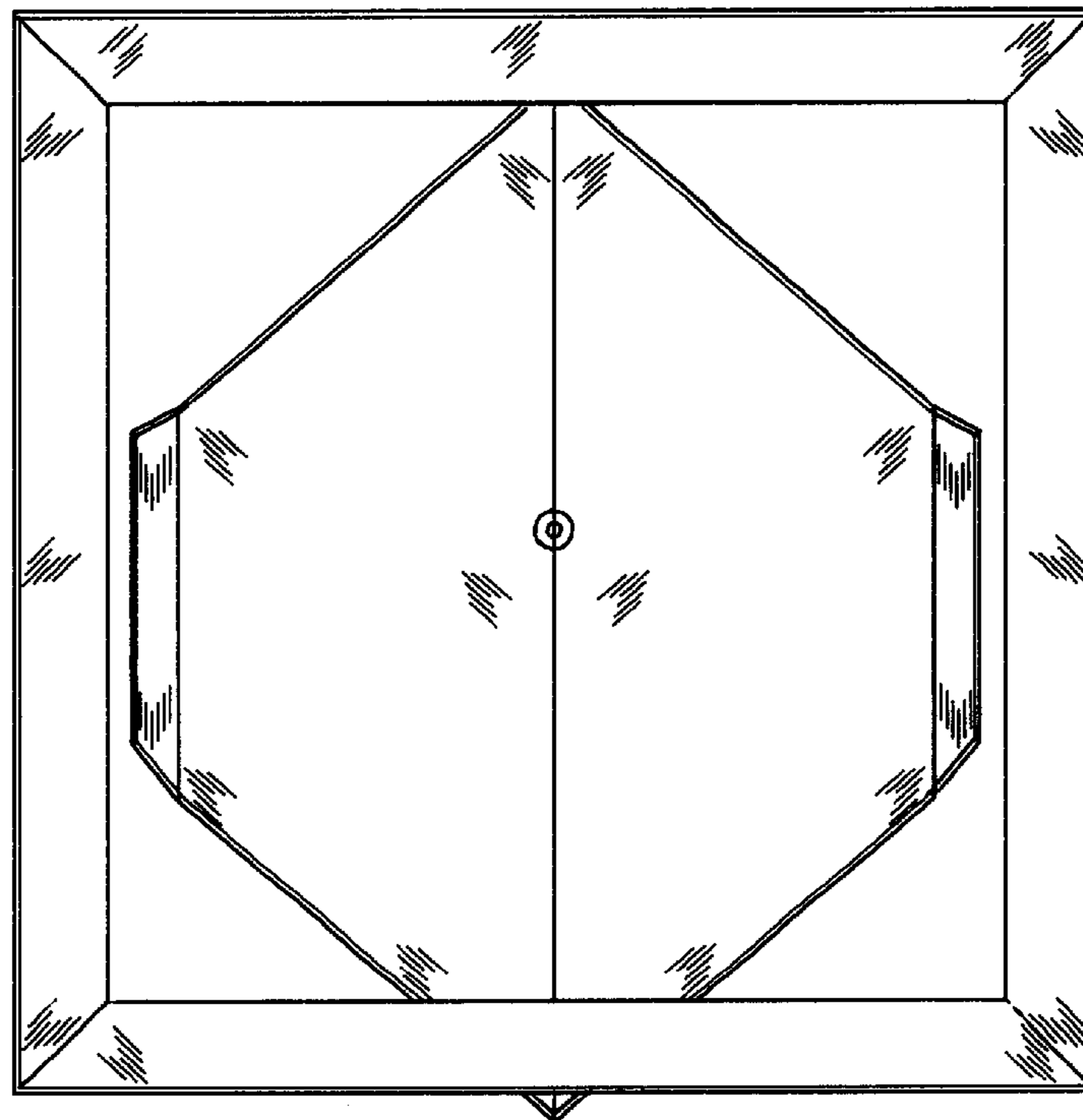


FIG. 4

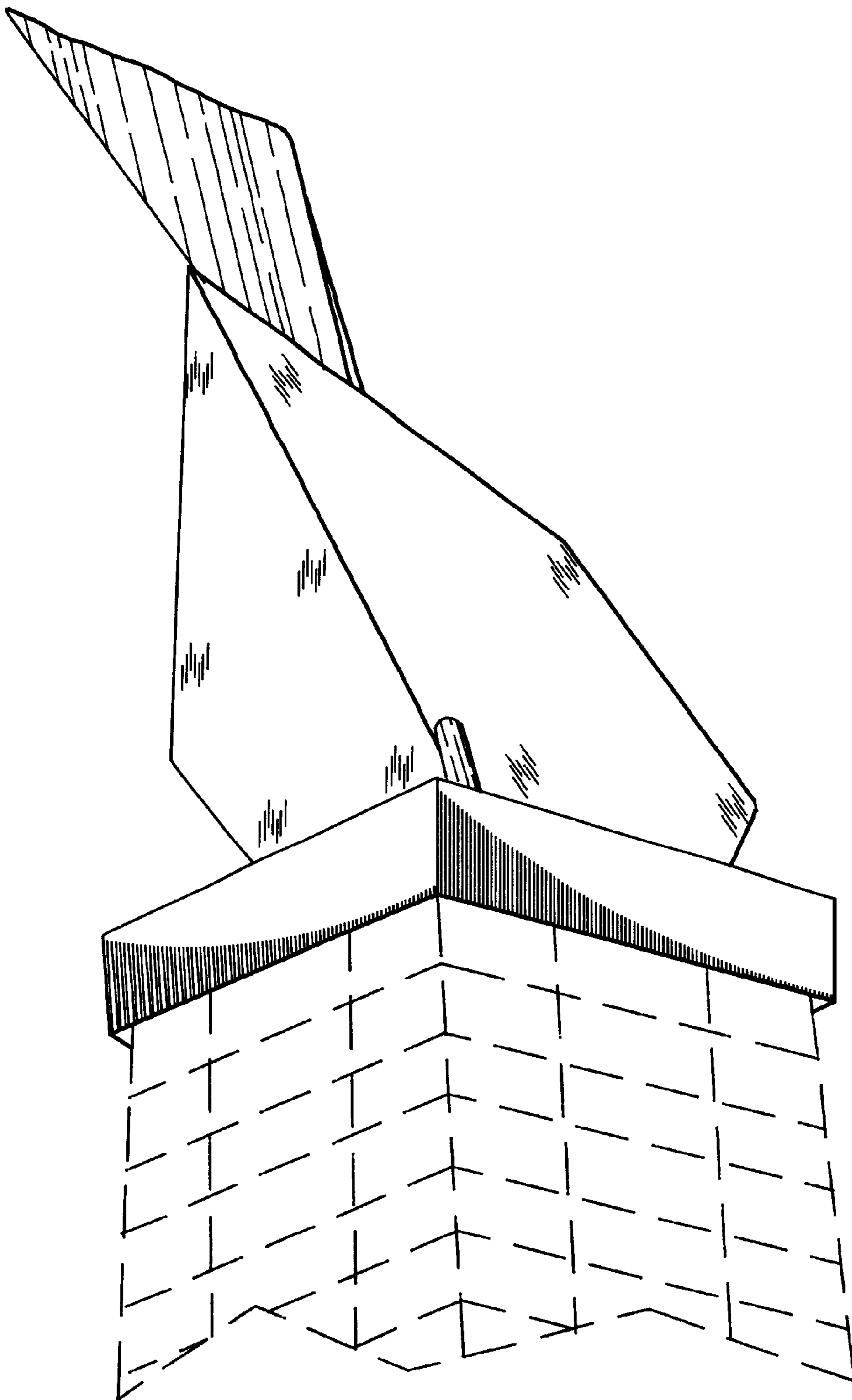


FIG. 5

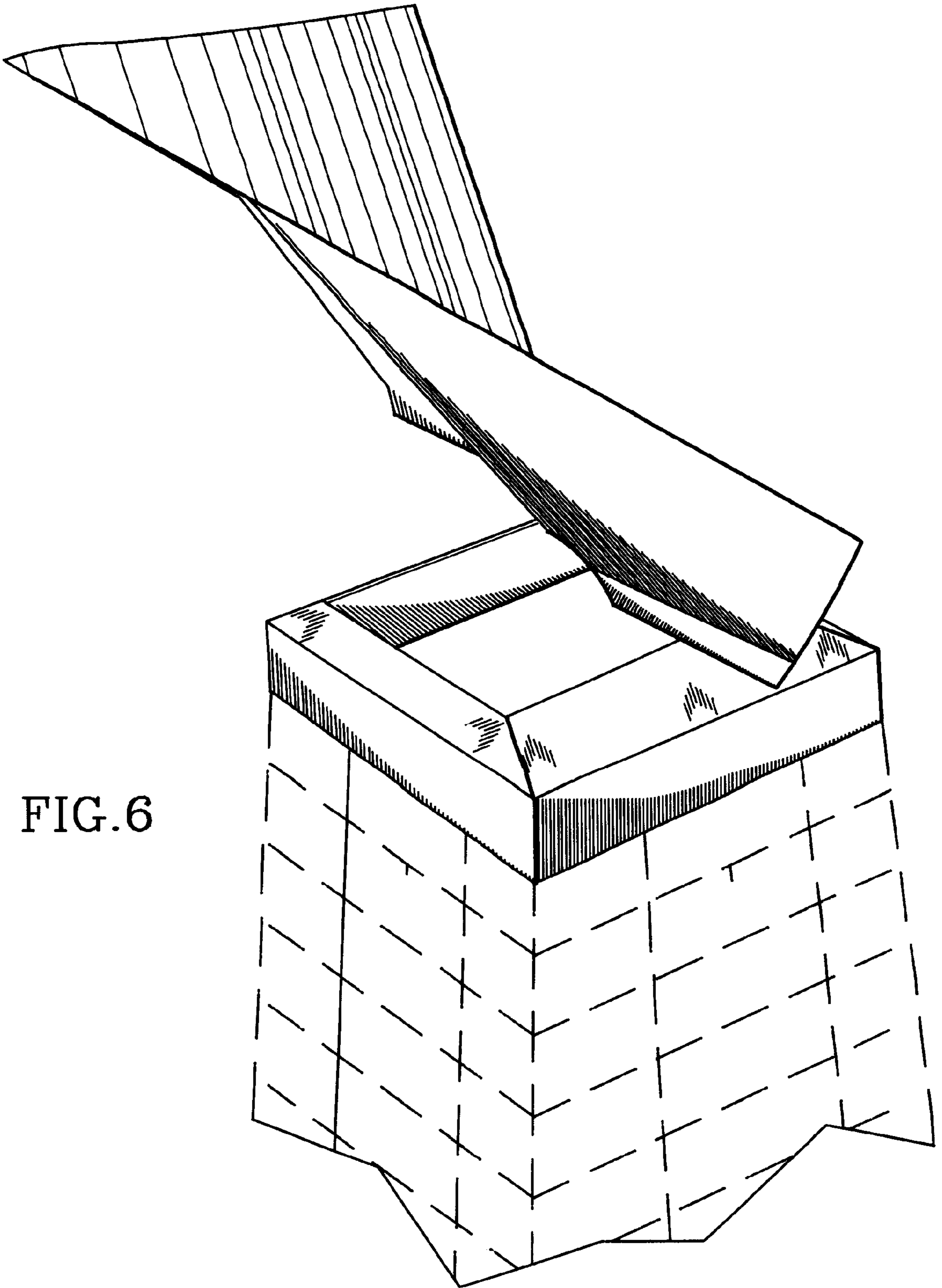


FIG.6

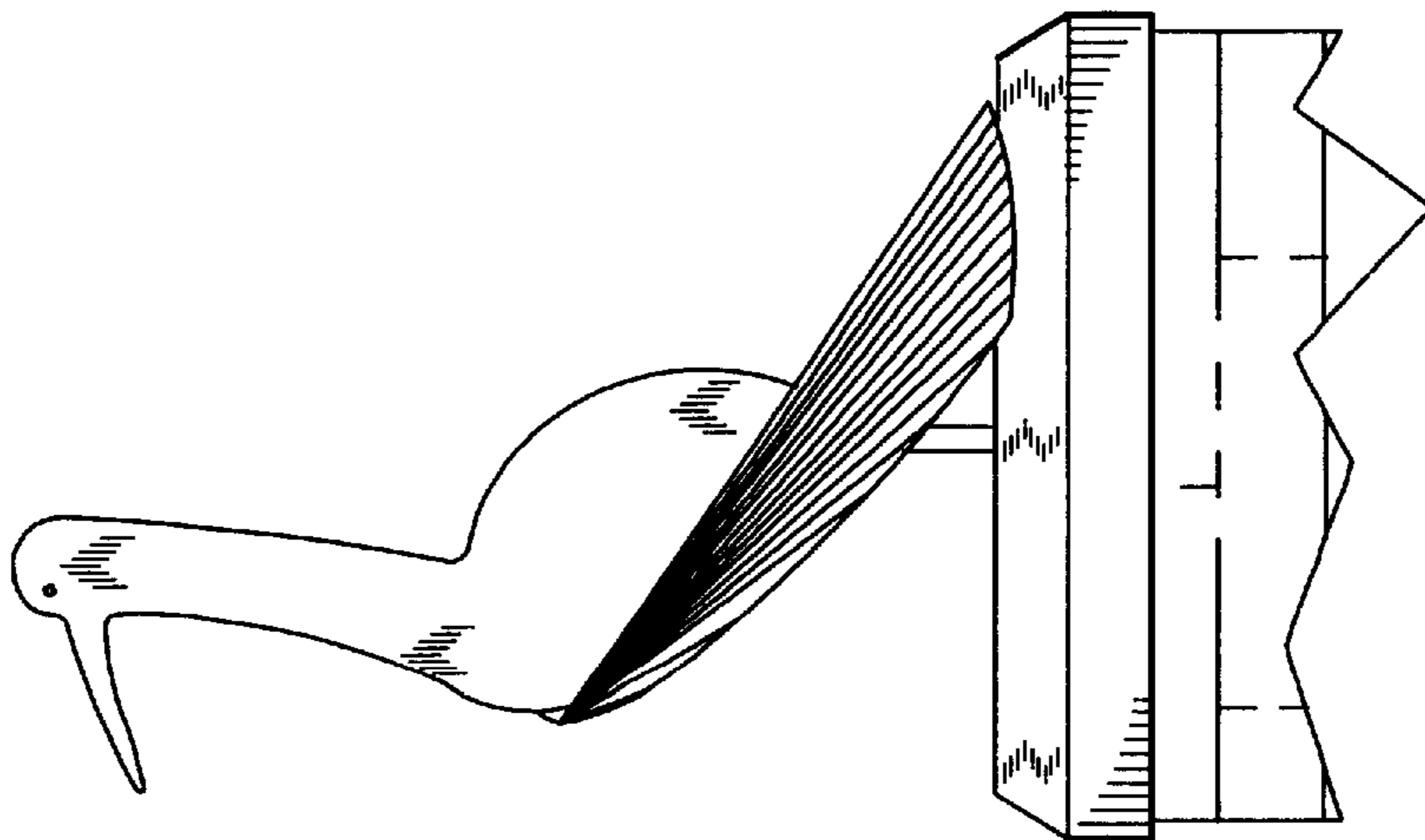


FIG. 7

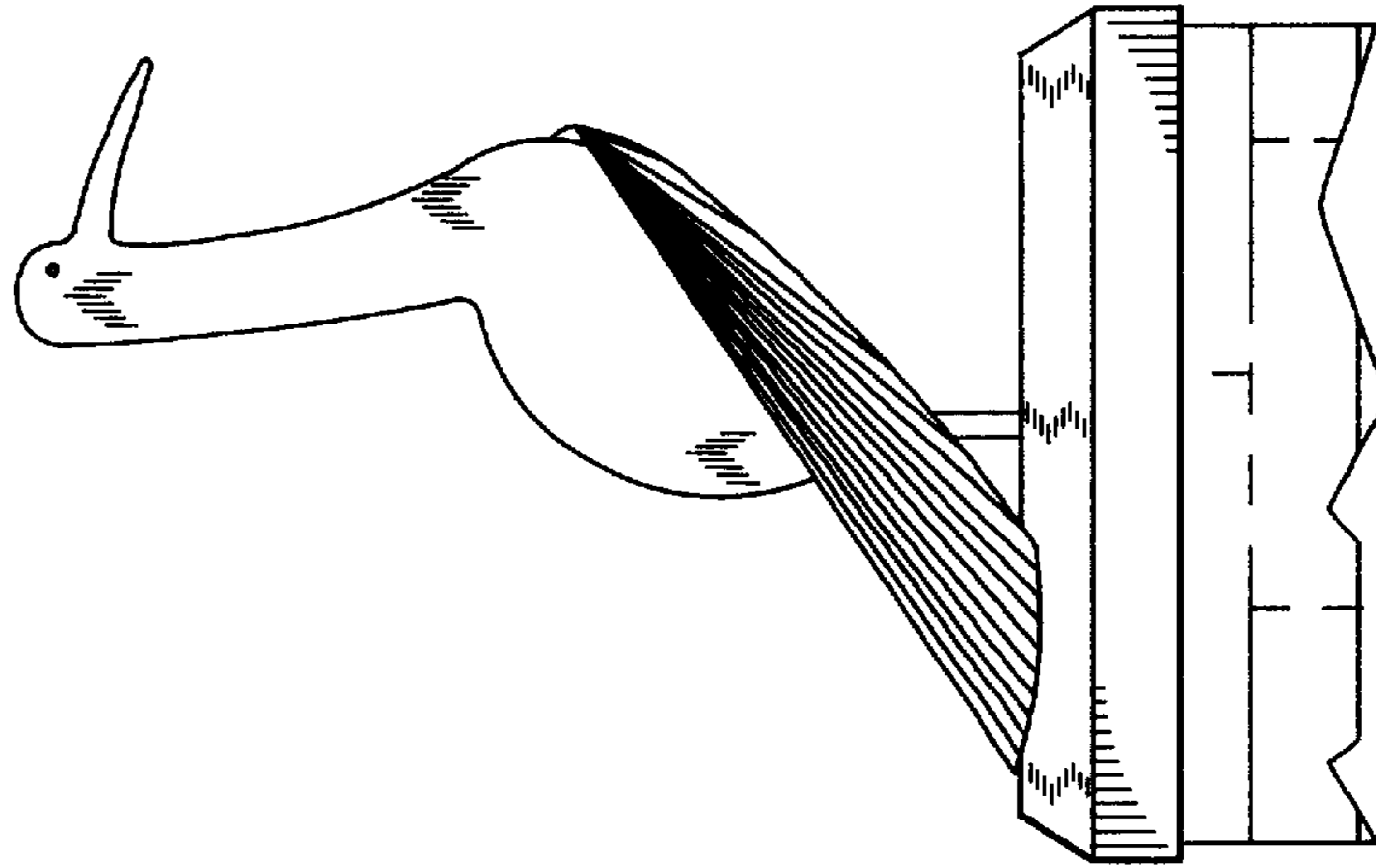


FIG. 8

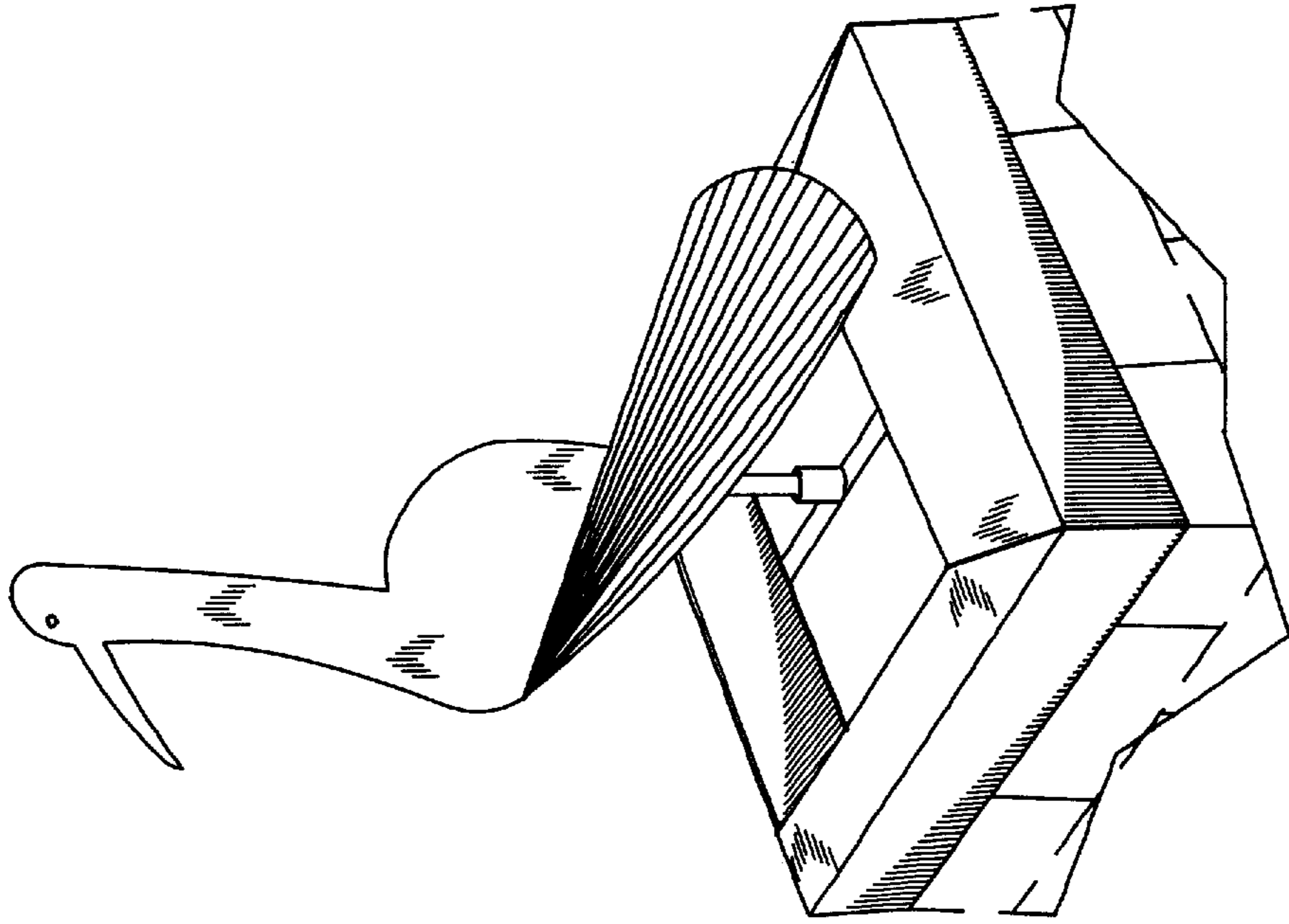


FIG. 12

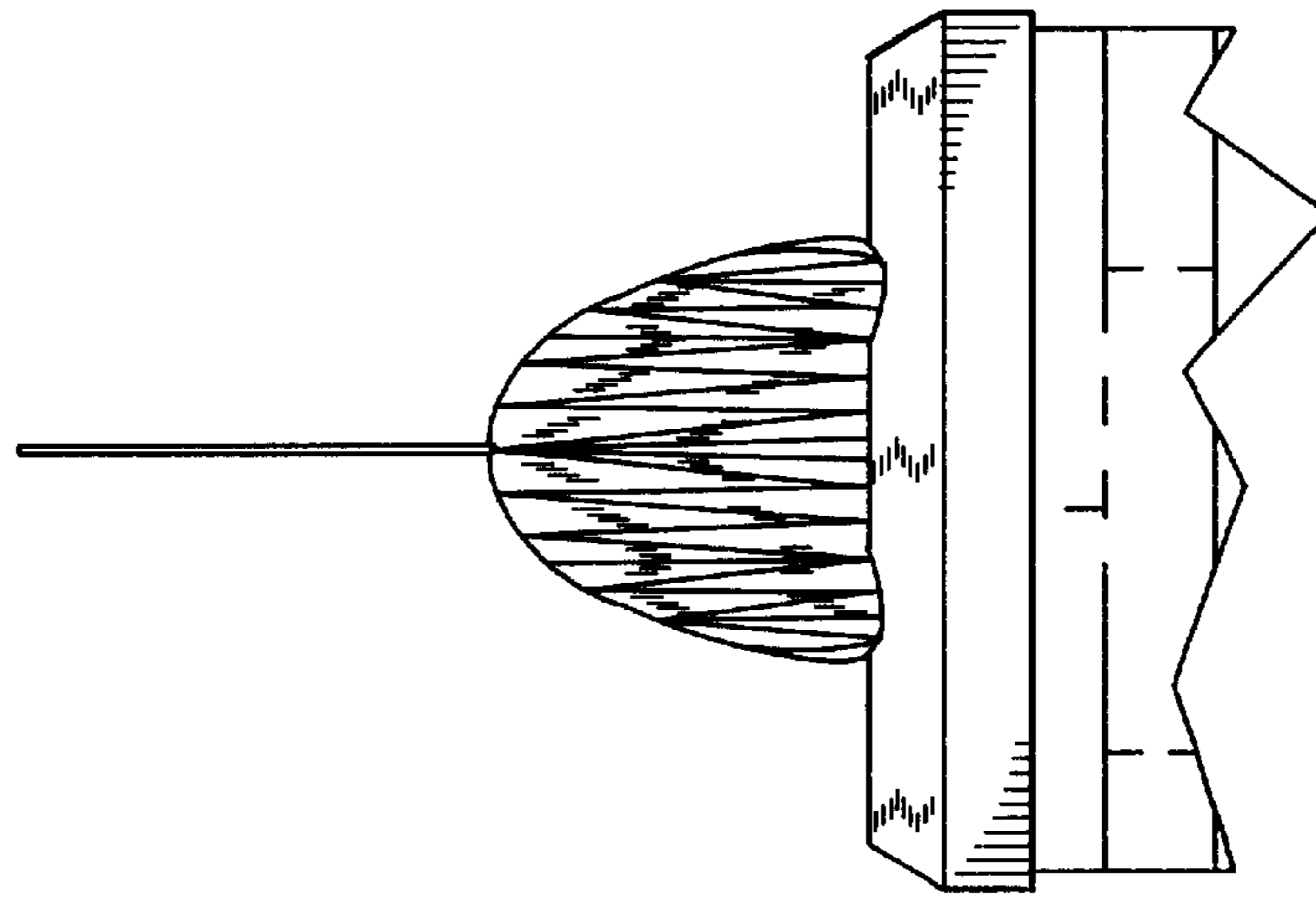


FIG. 9

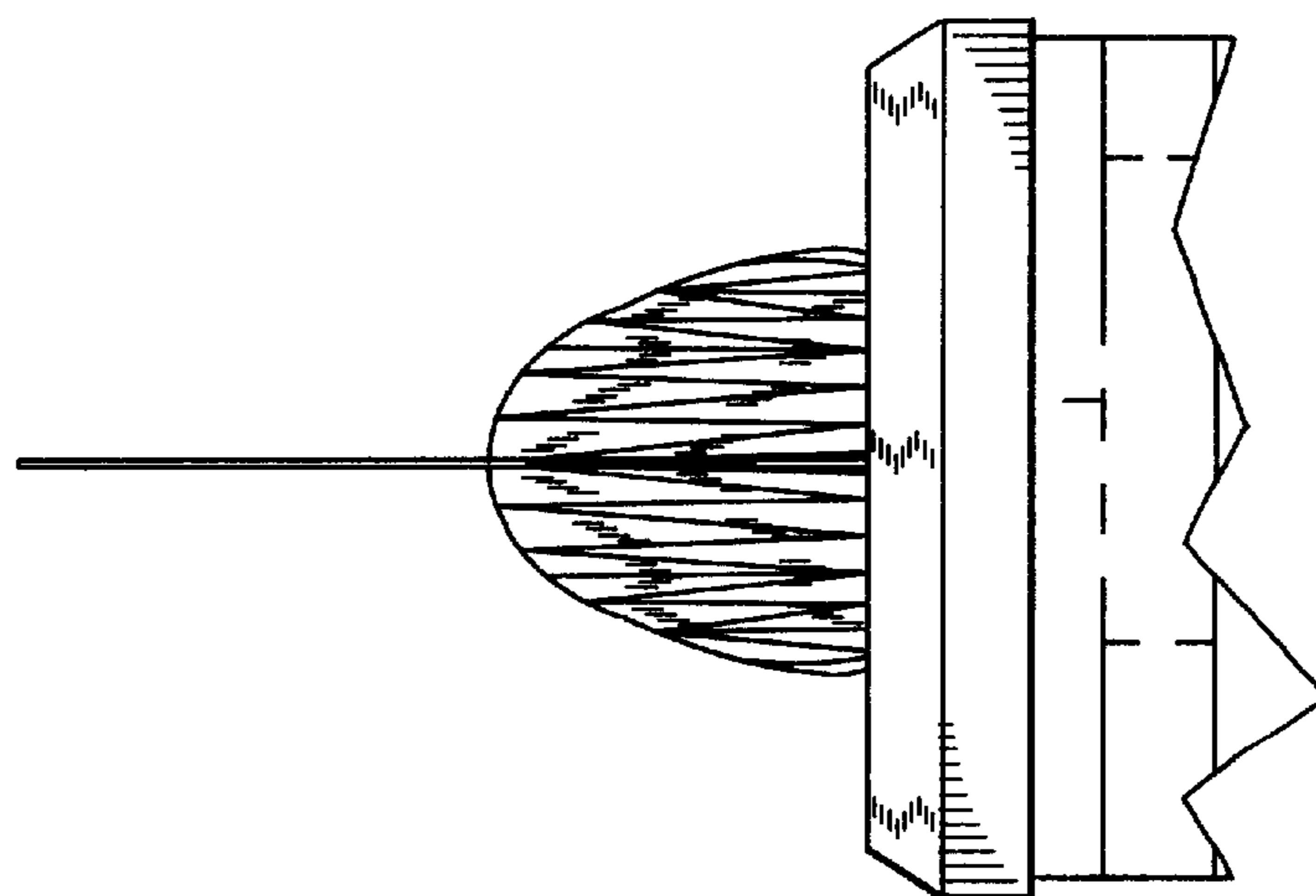


FIG. 10

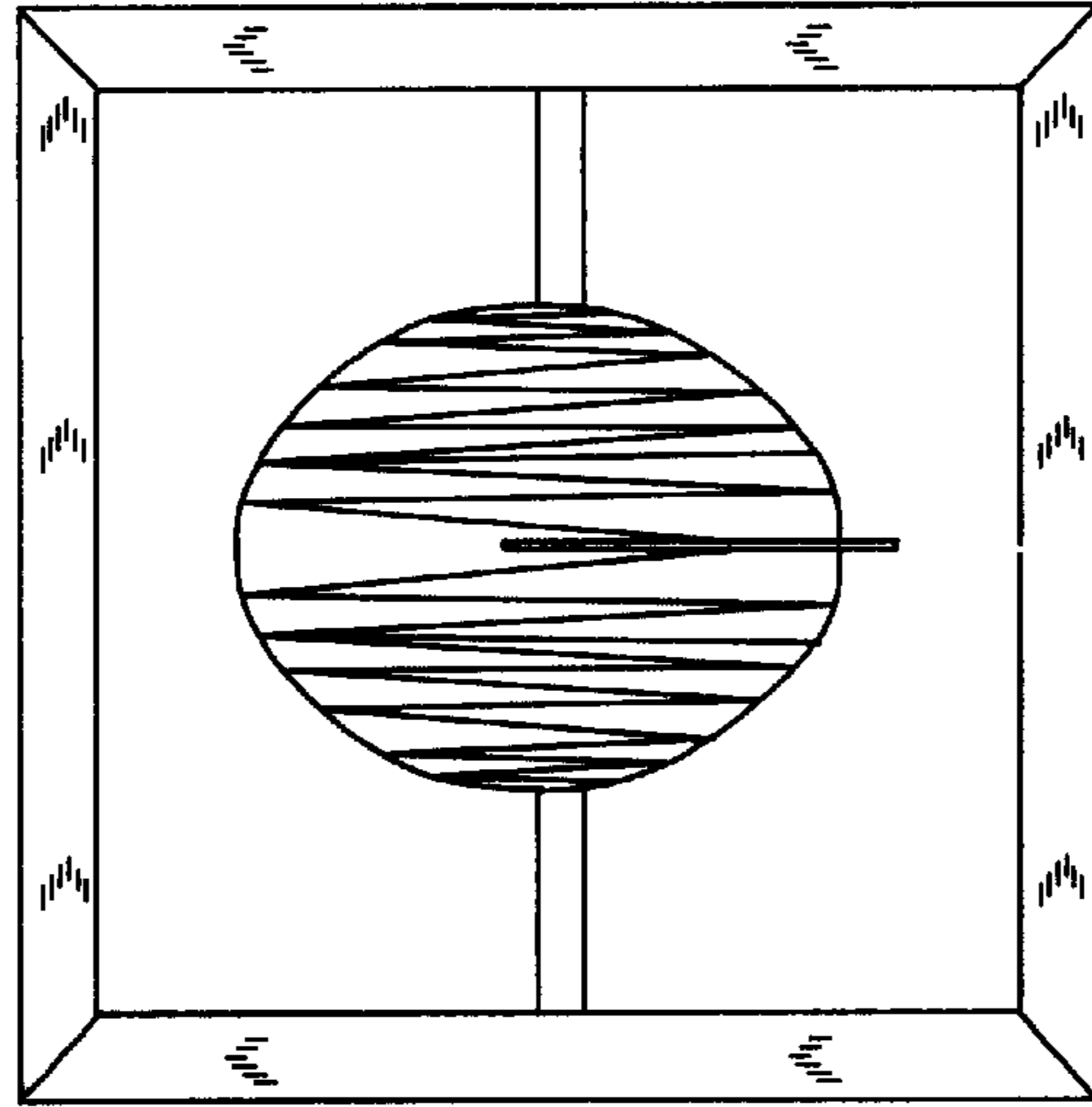


FIG. 11