



US00D458359S

(12) **United States Design Patent**
Blanchette

(10) **Patent No.:** **US D458,359 S**

(45) **Date of Patent:** **** Jun. 4, 2002**

(54) **TABLETOP AIR FRESHENER DIFFUSER**

(75) Inventor: **Luc Blanchette**, Montreal (CA)

(73) Assignee: **Hubmar Inc.**, St. Laurent (CA)

(**) Term: **14 Years**

(21) Appl. No.: **29/130,451**

(22) Filed: **Oct. 3, 2000**

(51) **LOC (7) Cl.** **23-04**

(52) **U.S. Cl.** **D23/366; D23/369**

(58) **Field of Search** **D23/366-369;**
239/54, 34, 60, 55, 56; 261/DIG. 65; 422/305,
120

(56) **References Cited**

U.S. PATENT DOCUMENTS

3,220,913 A * 11/1965 Thomas 239/60

D309,943 S * 8/1990 Jones et al. D23/369

* cited by examiner

Primary Examiner—Lisa Lichtenstein

(74) *Attorney, Agent, or Firm*—Mila Shvartsman

(57) **CLAIM**

The ornamental design for a tabletop air freshener diffuser, as shown.

DESCRIPTION

FIG. 1 is a perspective view of a tabletop air freshener diffuser showing my new design;

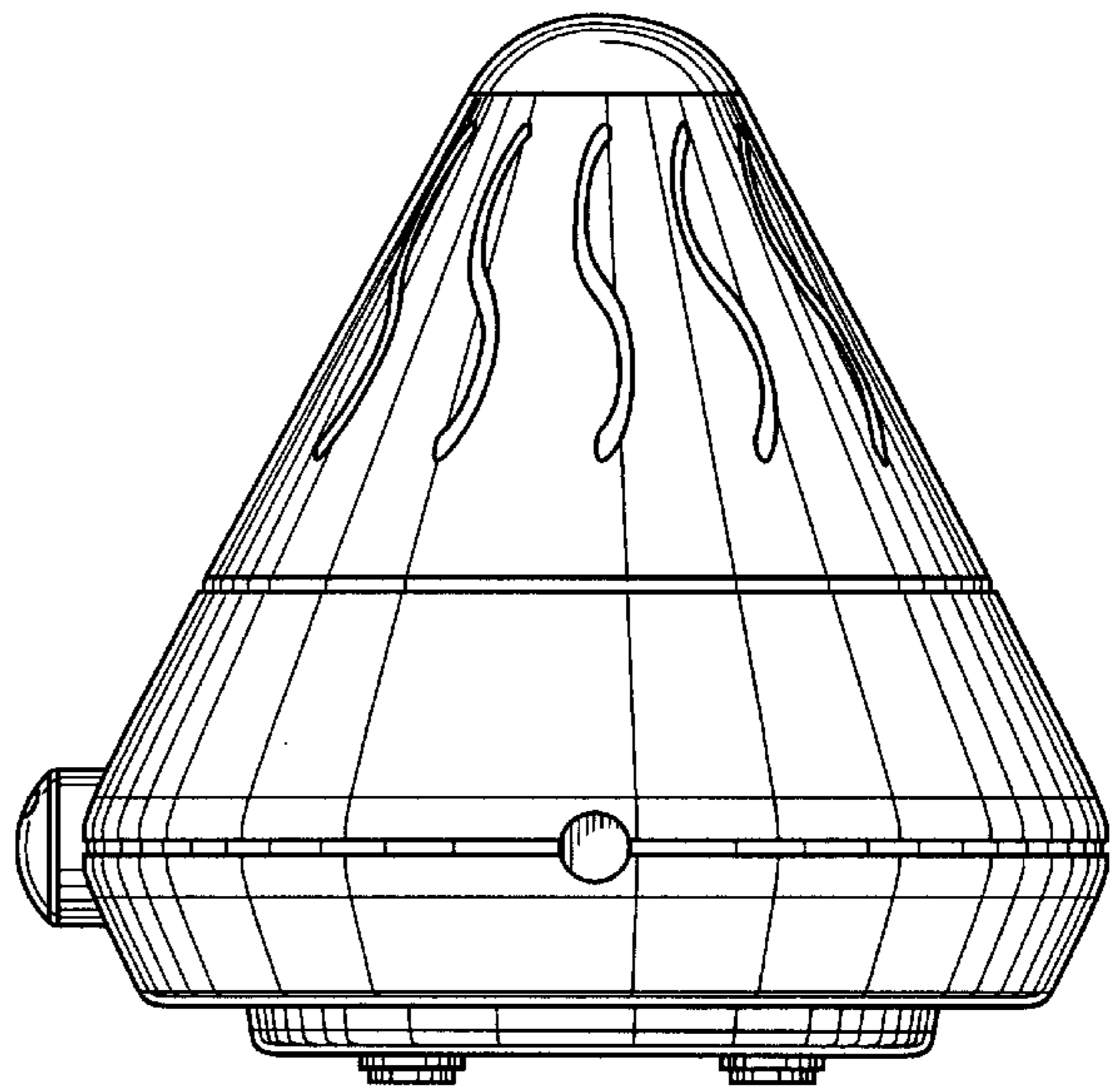
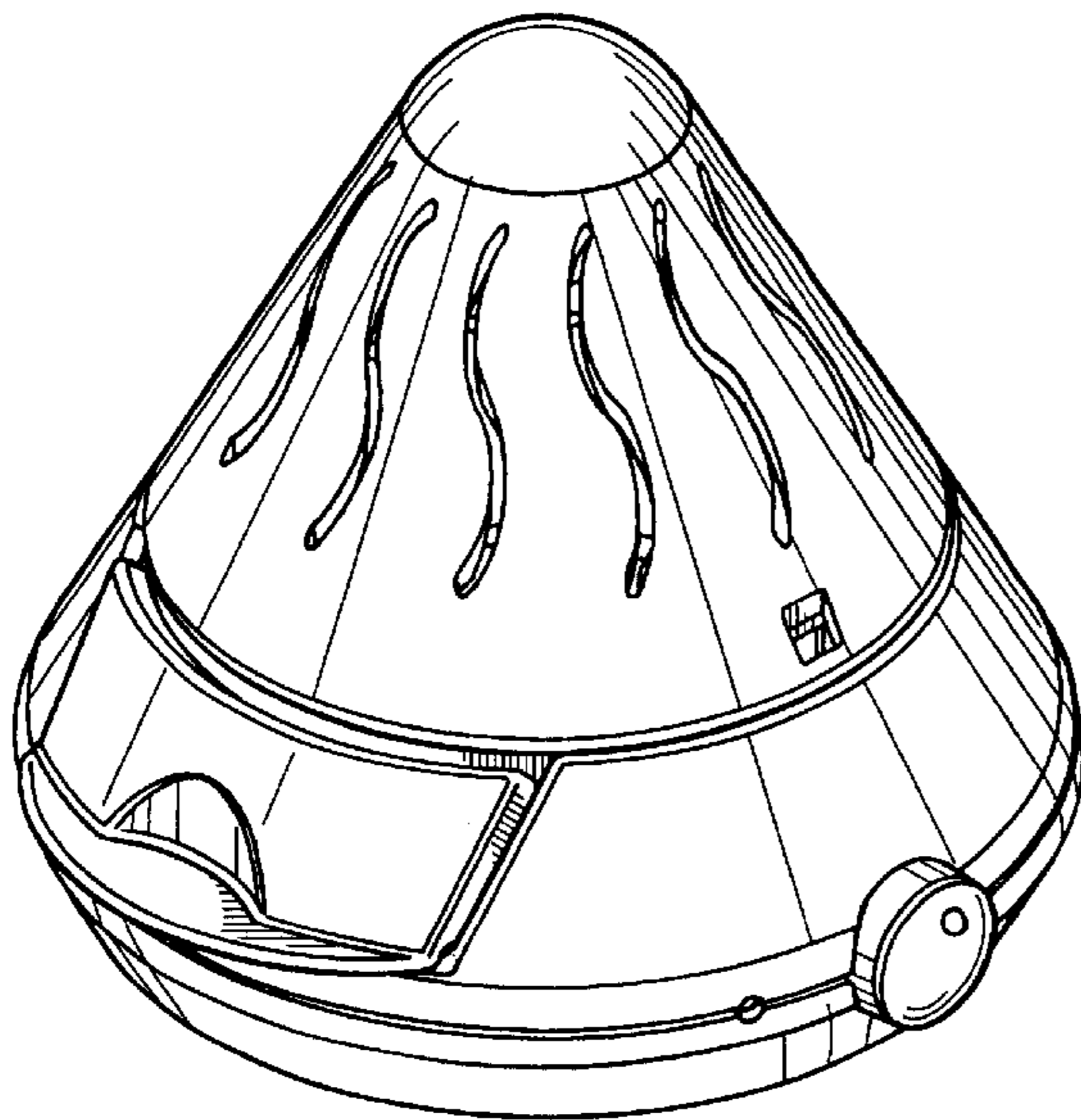
FIG. 2 is a right view thereof;

FIG. 3 is a rear view thereof;

FIG. 4 is a top view thereof; and,

FIG. 5 is a bottom view thereof.

1 Claim, 3 Drawing Sheets



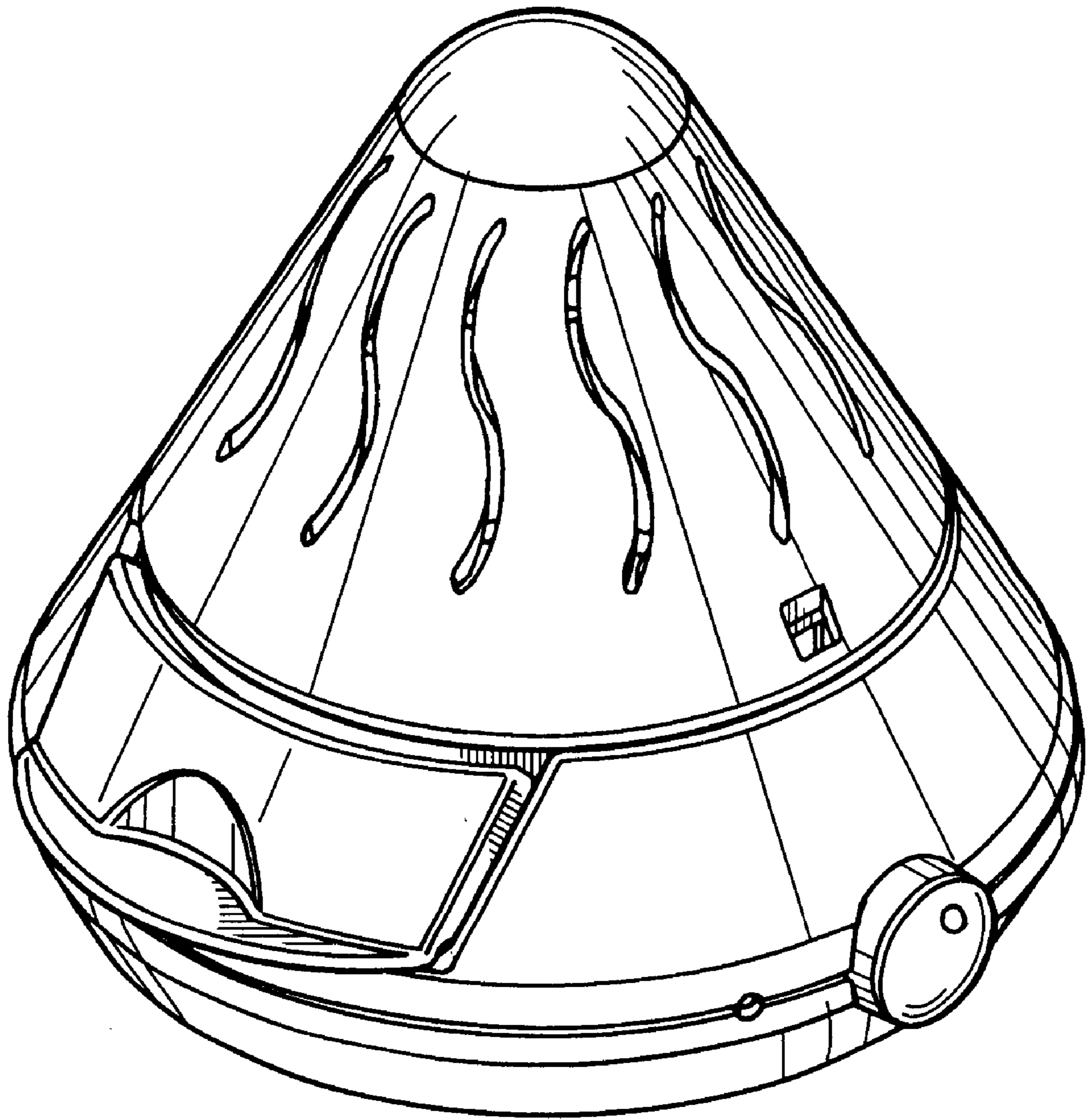


FIG. 1

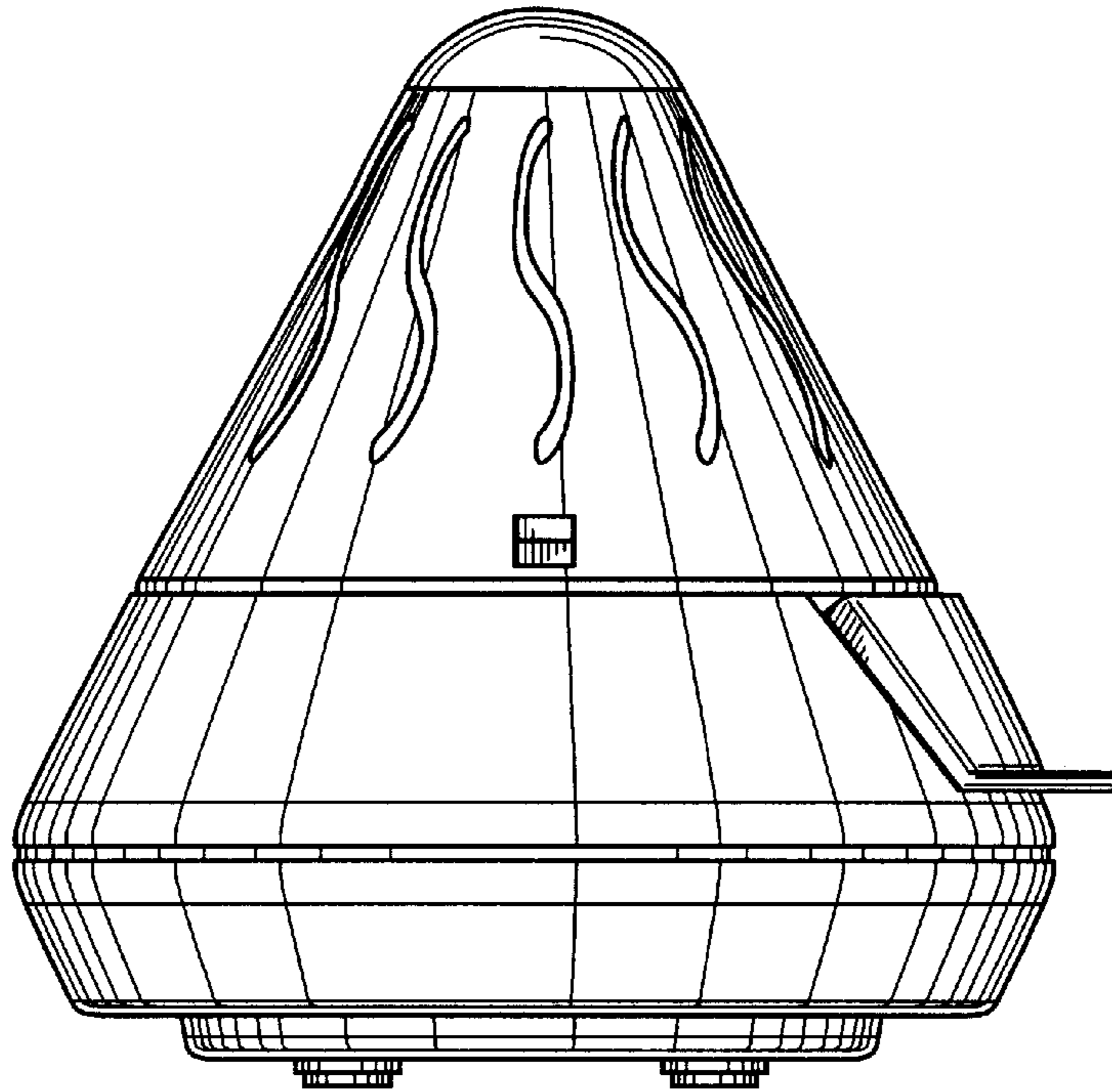


FIG. 2

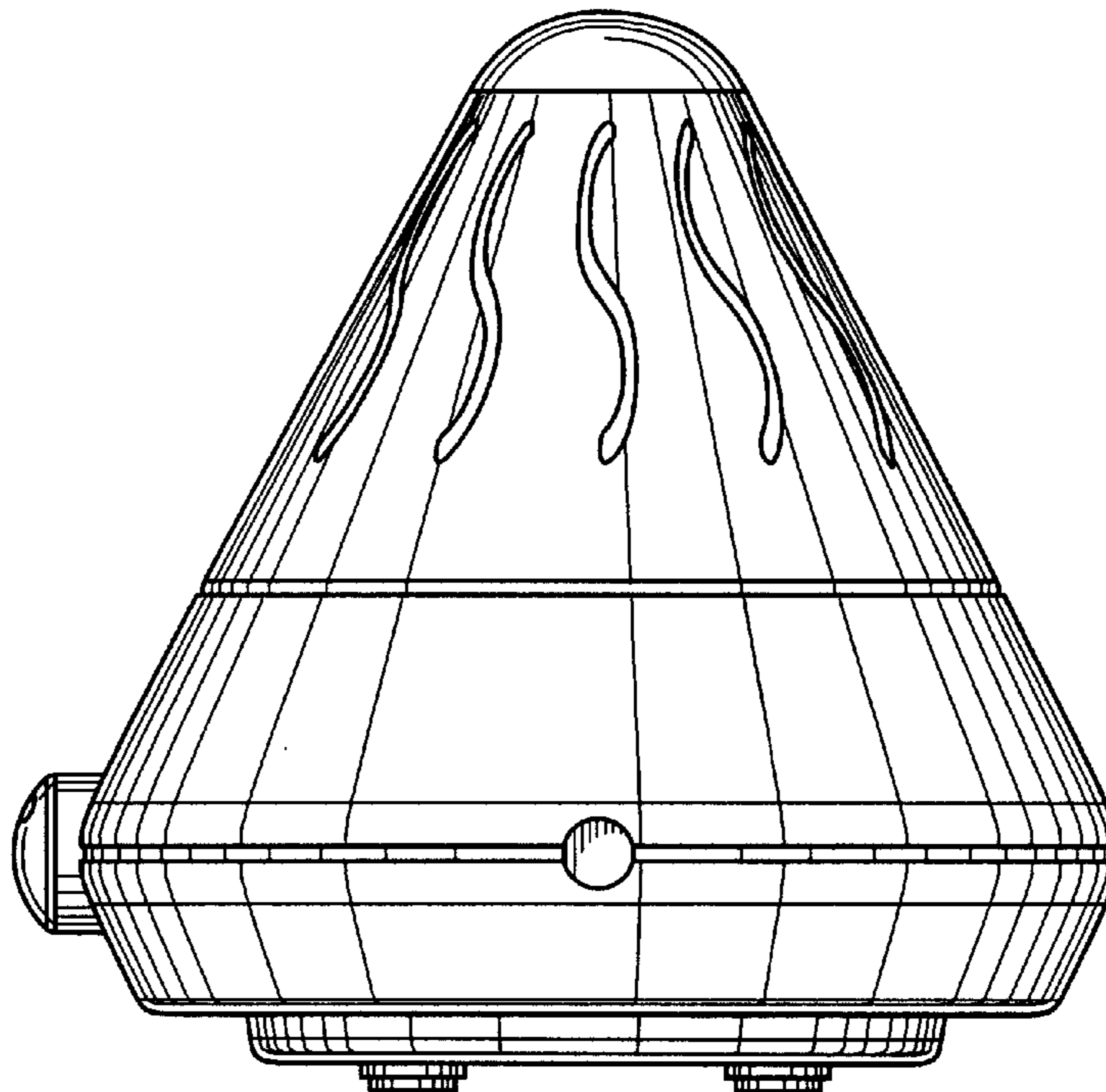


FIG. 3

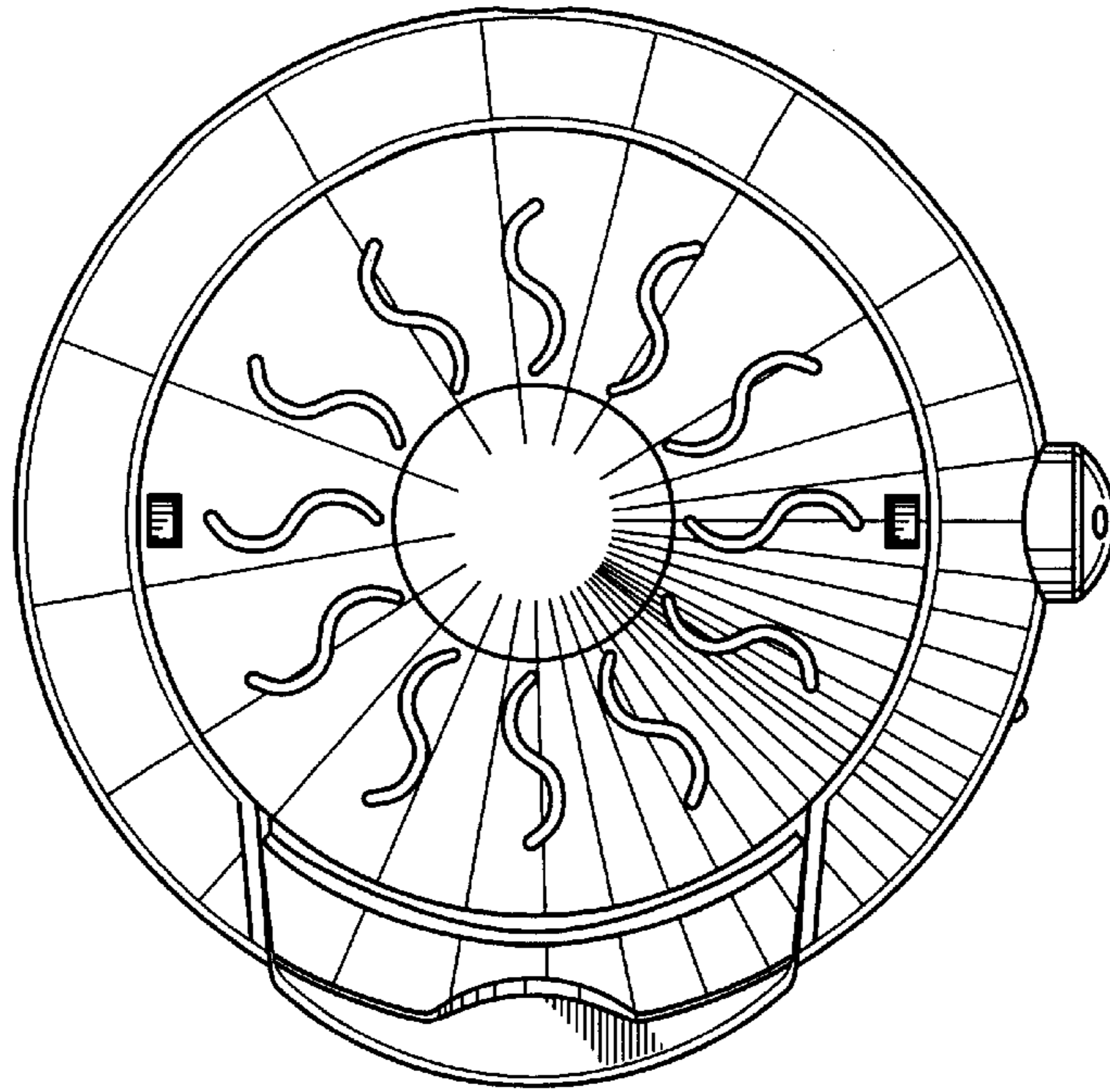


FIG. 4

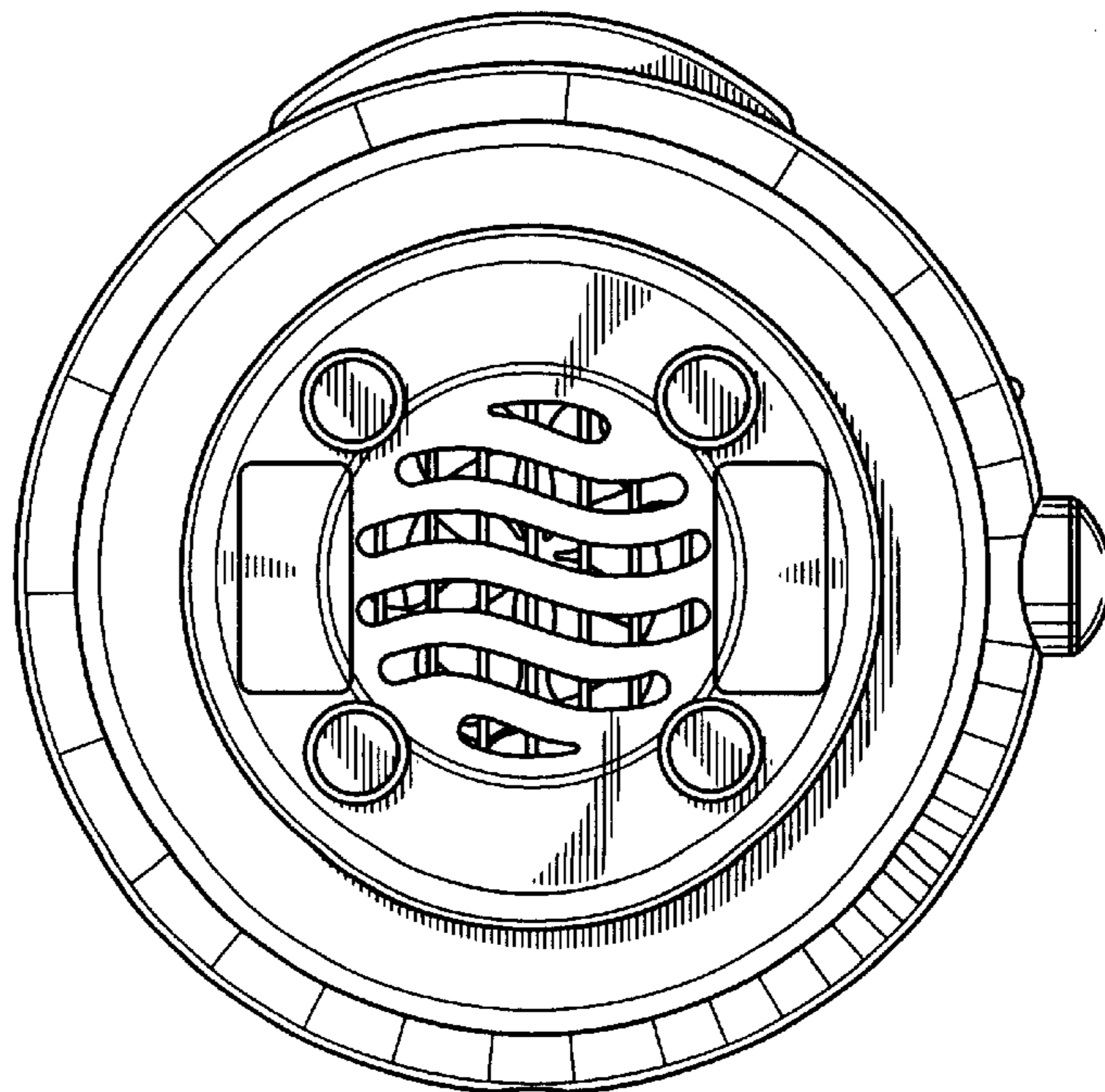


FIG. 5