



US00D458357S

(12) **United States Design Patent**  
**Reede**

(10) **Patent No.:** **US D458,357 S**

(45) **Date of Patent:** **\*\* Jun. 4, 2002**

(54) **FAN FILTER**

D434,484 S 11/2000 Reede

\* cited by examiner

(76) **Inventor:** **Dwayne E. Reede**, 22 Jefferson St.,  
Norwalk, CT (US) 06851

*Primary Examiner*—Lisa Lichtenstein

(\*\*) **Term:** **14 Years**

(57) **CLAIM**

(21) **Appl. No.:** **29/141,656**

The ornamental design for a fan filter, as shown and described.

(22) **Filed:** **May 10, 2001**

**DESCRIPTION**

(51) **LOC (7) Cl.** ..... **23-04**

FIG. 1 is a perspective view of a fan filter shown in use.

(52) **U.S. Cl.** ..... **D23/365**

FIG. 2 is a front view.

(58) **Field of Search** ..... D23/365, 411;

FIG. 3 is a top view.

55/467, 471

FIG. 4 is a left side view.

FIG. 5 is a right side view.

(56) **References Cited**

FIG. 6 is a rear view.

**U.S. PATENT DOCUMENTS**

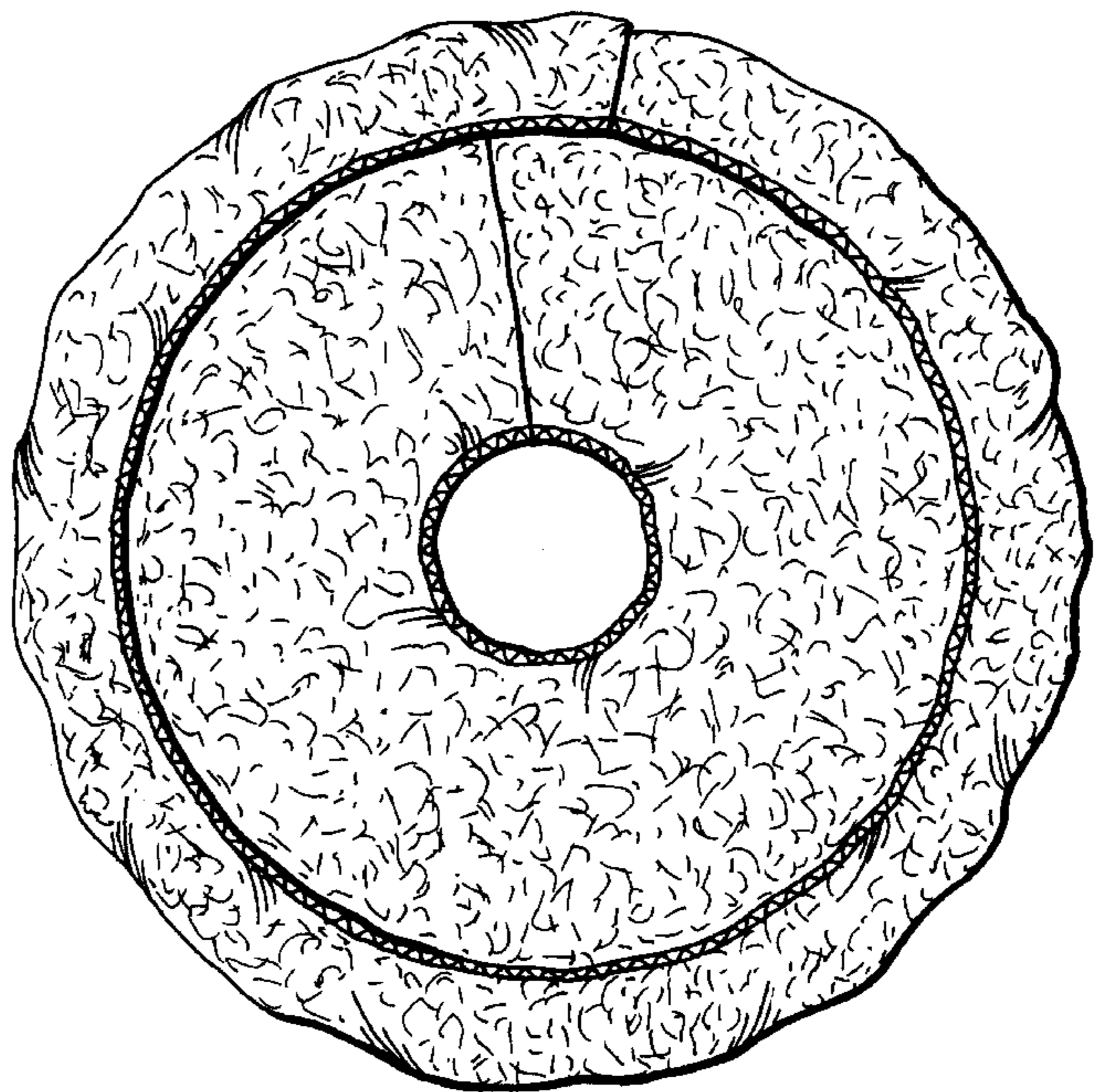
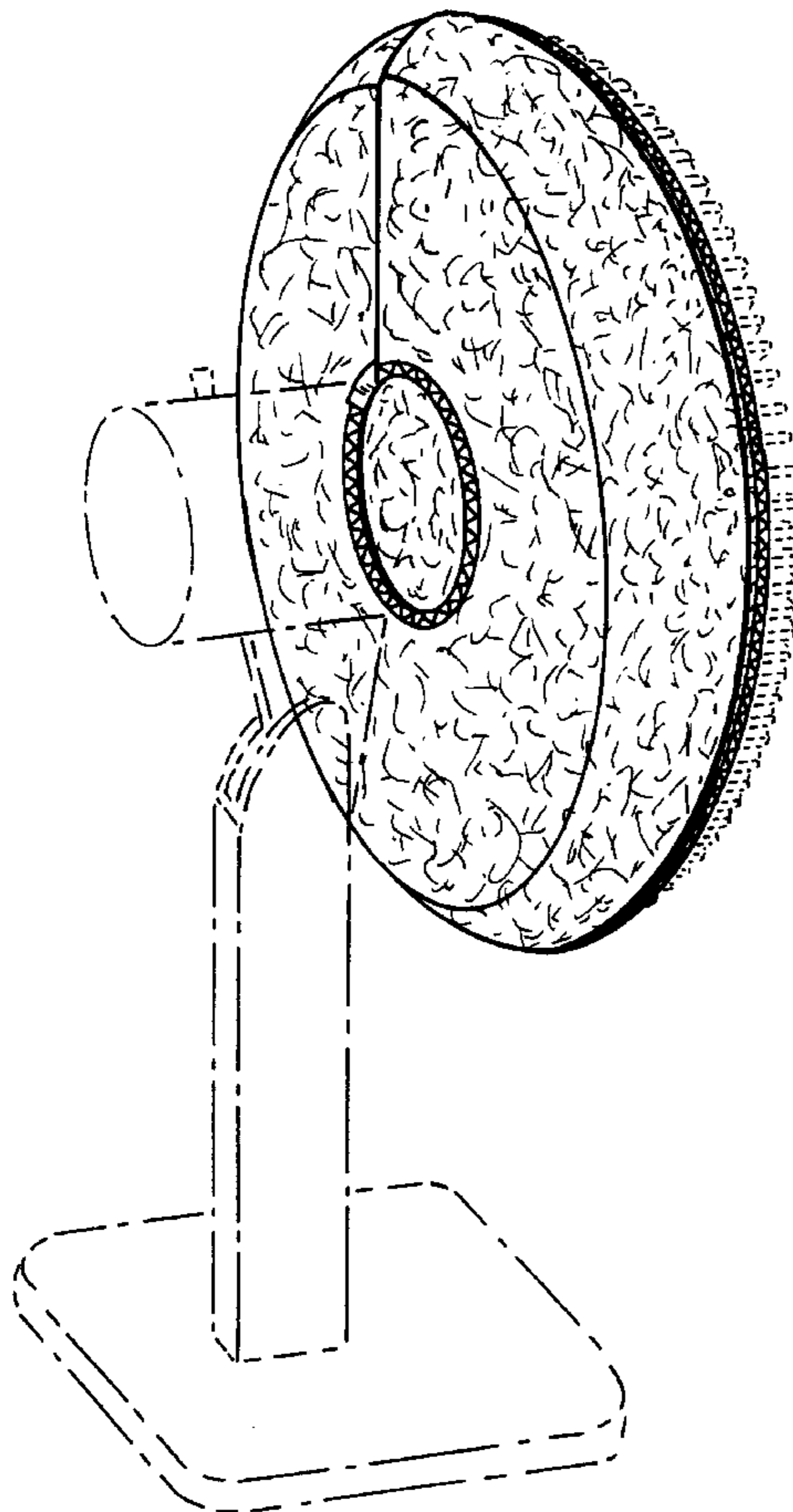
FIG. 7 is a bottom view; and,

4,477,272 A	10/1984	Hollis	
D372,079 S	* 7/1996	Fago et al.	..... D23/365
D408,513 S	4/1999	Reede	
6,045,329 A	4/2000	Sobala	

FIG. 8 is a view of the filter opened.

The broken line showing of environmental structure in FIG. 1 is for illustrative purposes only and forms no part of the claimed design.

**1 Claim, 5 Drawing Sheets**



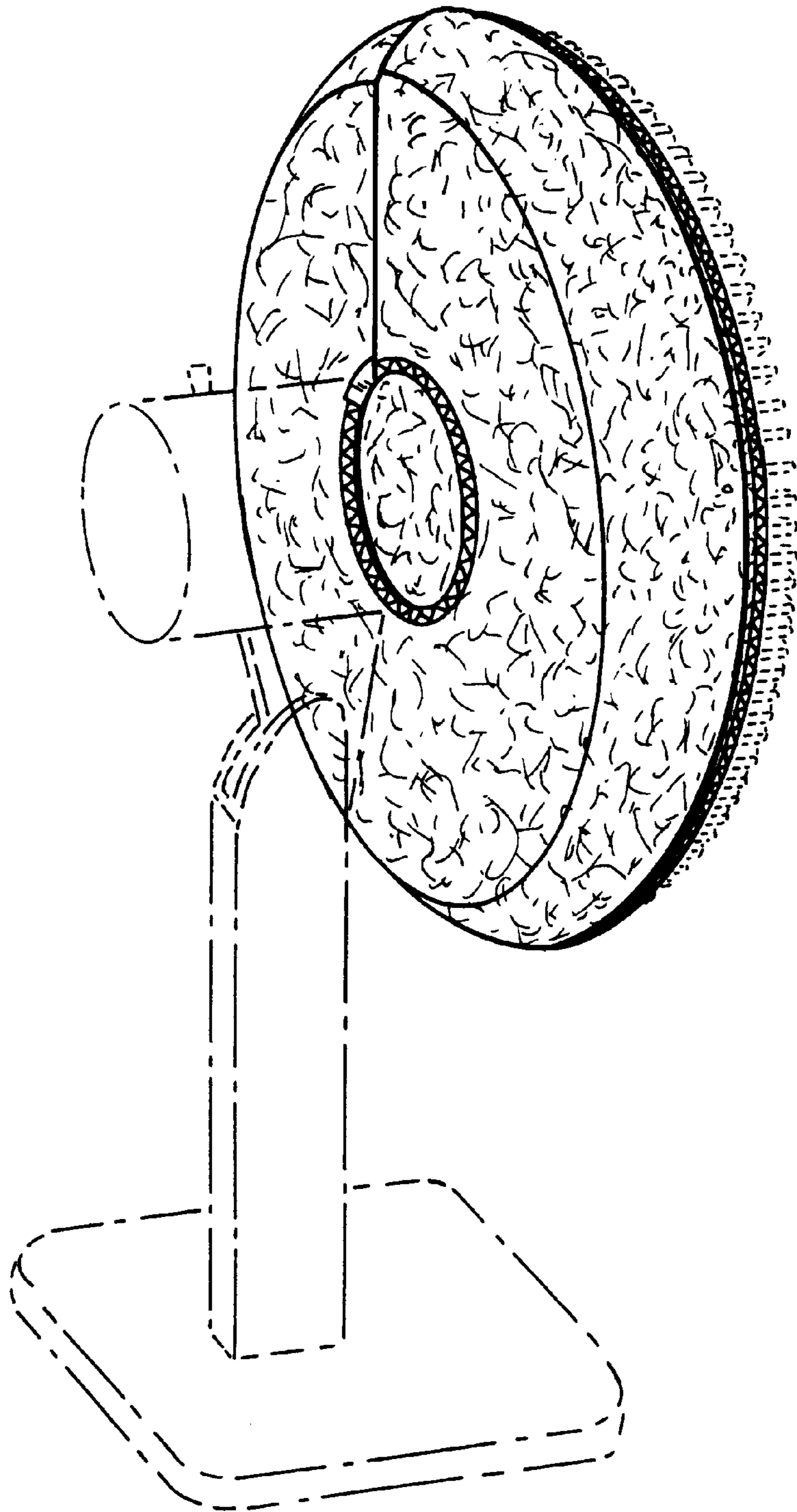


FIG. 1

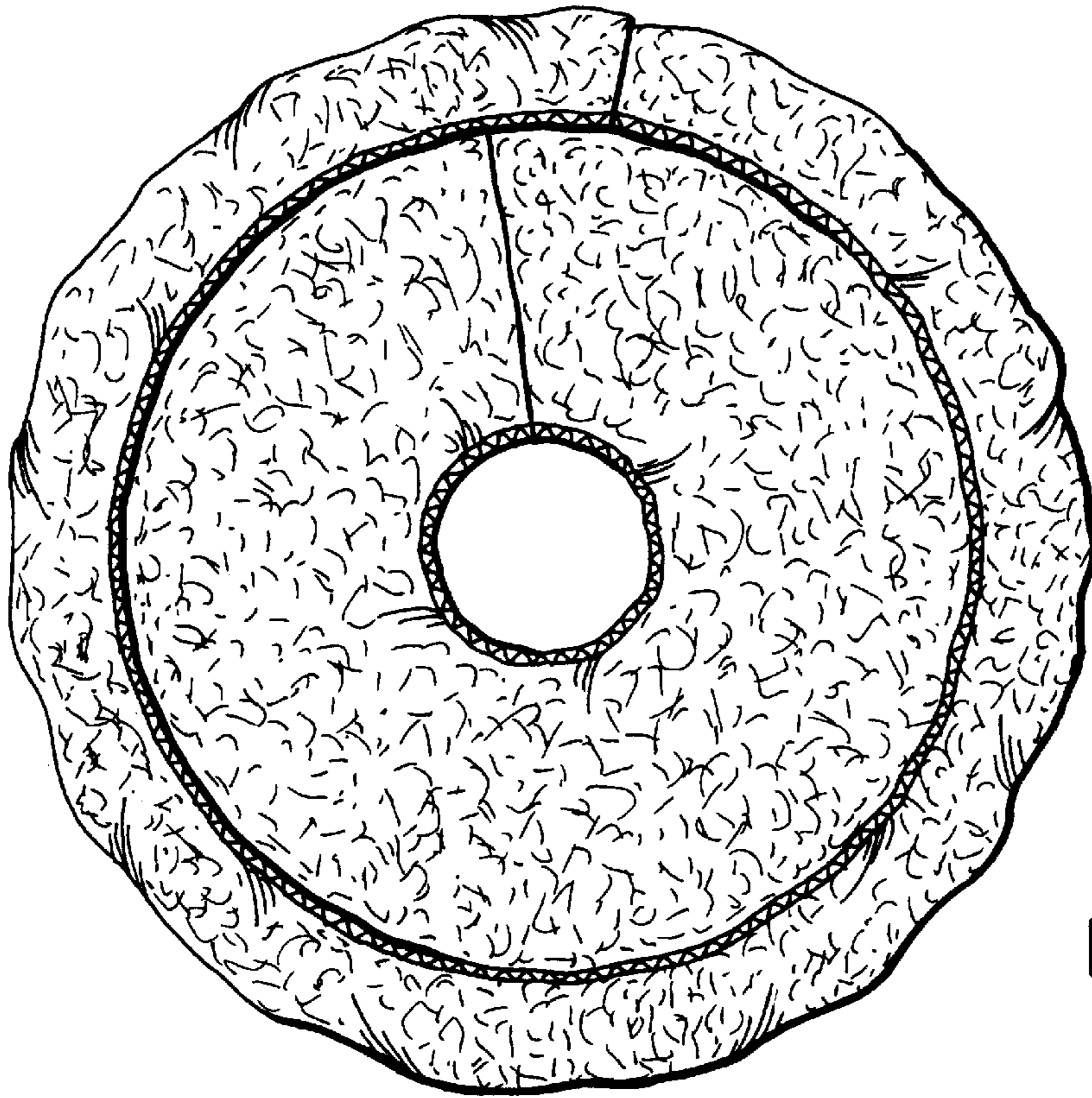


FIG. 2



FIG. 3



FIG. 4



FIG. 5

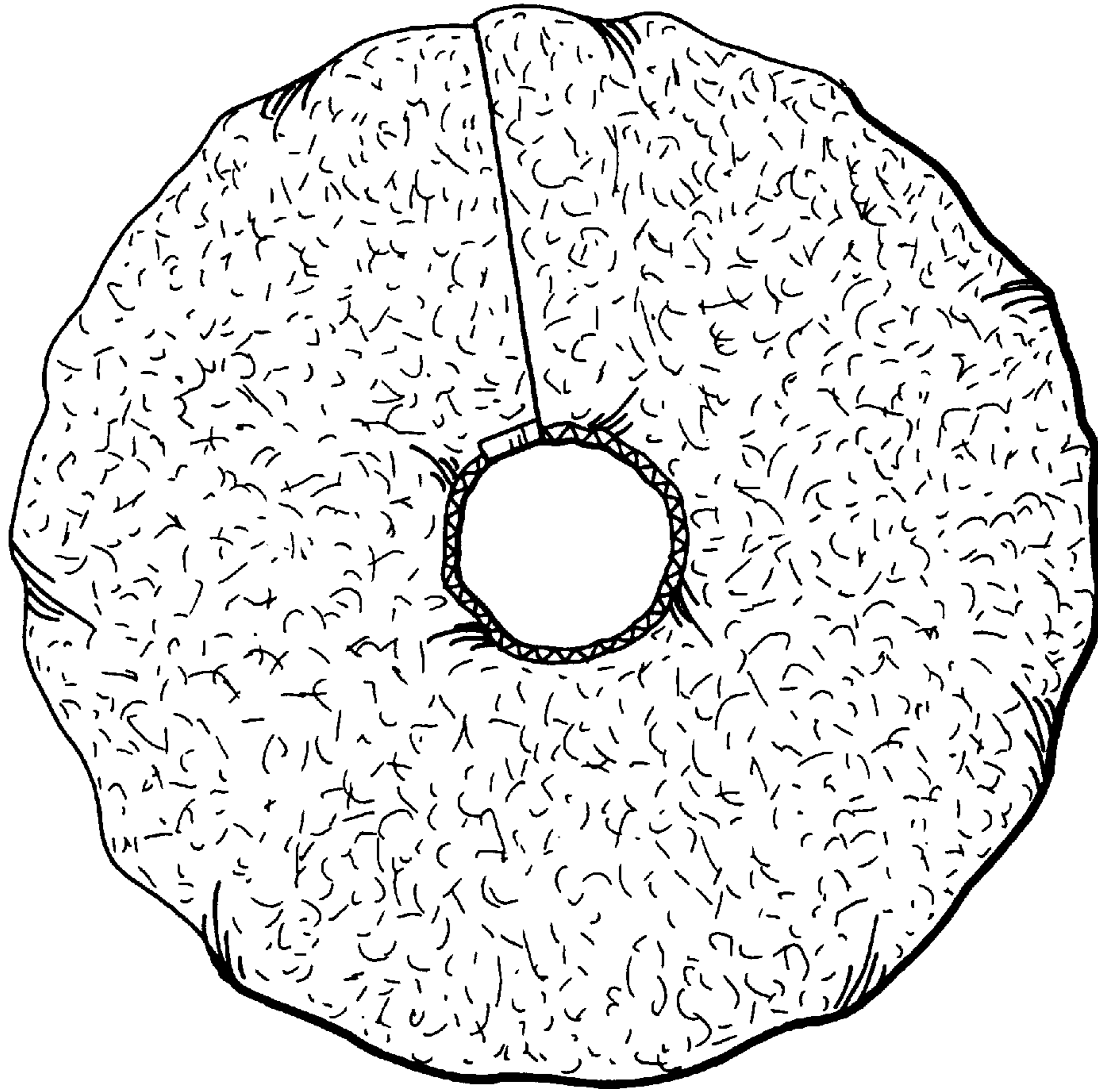


FIG. 6



FIG. 7

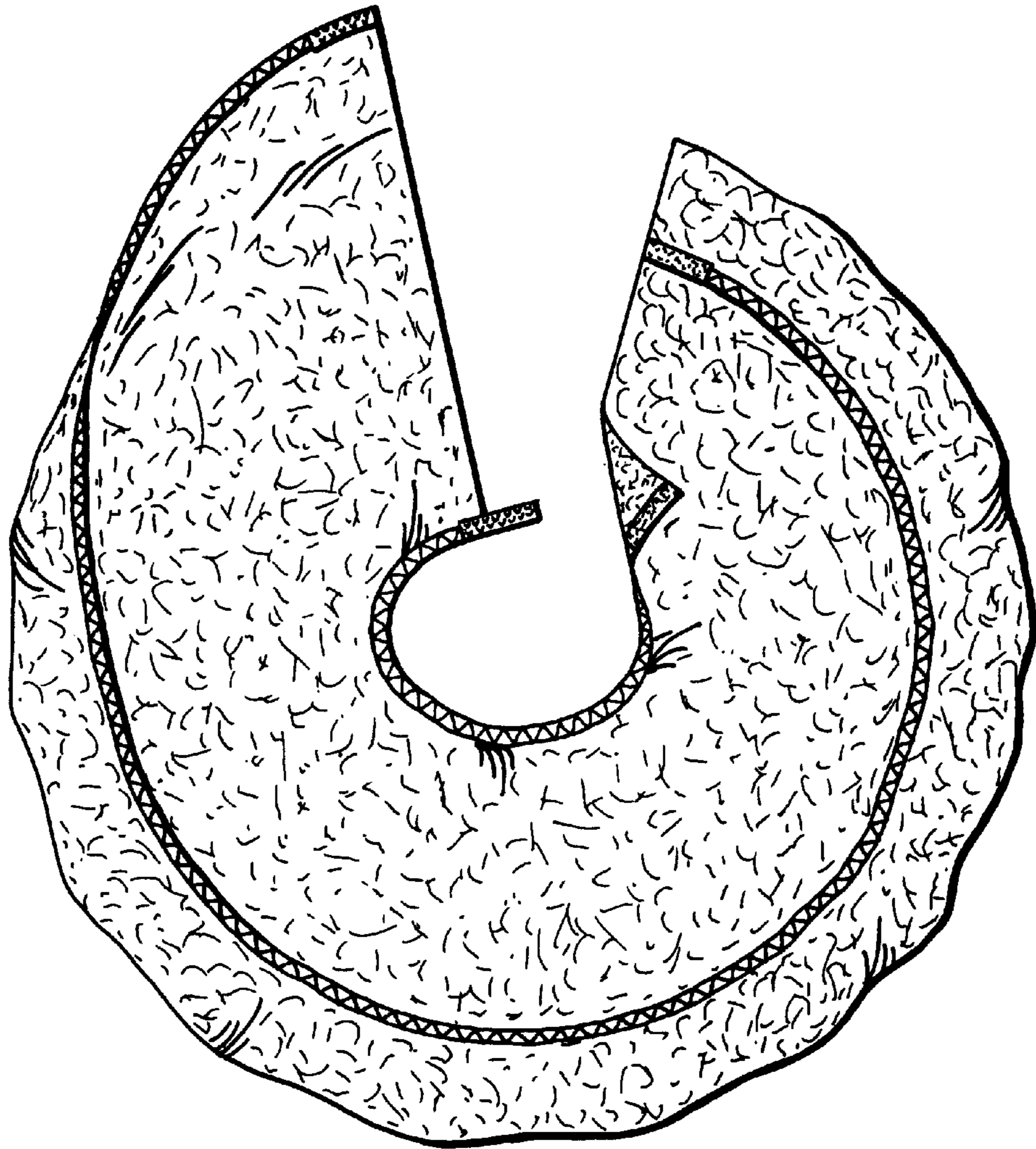


FIG. 8