



US00D458356S

(12) **United States Design Patent**
Redner et al.

(10) **Patent No.:** **US D458,356 S**

(45) **Date of Patent:** **** Jun. 4, 2002**

(54) **FURNACE MOUNTED HUMIDIFIER**

D342,989 S * 1/1994 Wallen D23/357

(75) Inventors: **Carl R. Redner**, Hartland; **Richard J. Luty, Jr.**, Brighton, both of MI (US)

* cited by examiner

(73) Assignee: **General Filters, Inc.**, Novi, MI (US)

Primary Examiner—Lisa Lichtenstein

(74) *Attorney, Agent, or Firm*—Dykema Gossett PLLC

(**) Term: **14 Years**

(57) **CLAIM**

(21) Appl. No.: **29/148,222**

The ornamental design for a furnace mounted humidifier, as shown and described.

(22) Filed: **Sep. 17, 2001**

DESCRIPTION

(51) **LOC (7) Cl.** **23-04**

FIG. 1 is a perspective view of a humidifier showing our new design;

(52) **U.S. Cl.** **D23/357**

FIG. 2 is a left hand side view thereof;

(58) **Field of Search** D23/356-360;
261/92, 91, 107

FIG. 3 is a front elevational view thereof;

FIG. 4 is a right hand side view thereof;

FIG. 5 is a top plan view thereof; and,

FIG. 6 is a bottom plan view thereof.

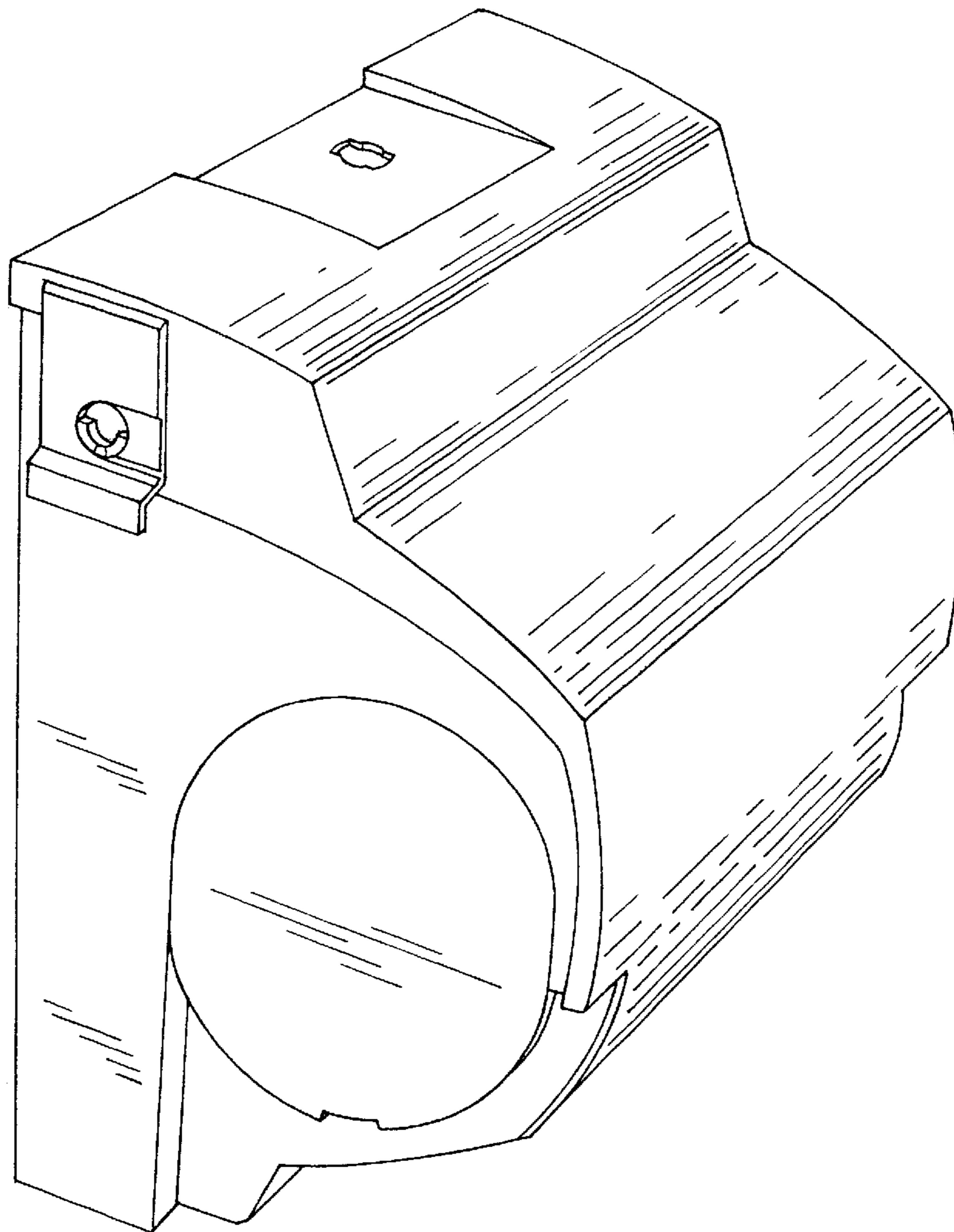
(56) **References Cited**

U.S. PATENT DOCUMENTS

4,056,582 A * 11/1977 Chow 261/91

D322,122 S * 12/1991 Guetersloth D23/57

1 Claim, 3 Drawing Sheets



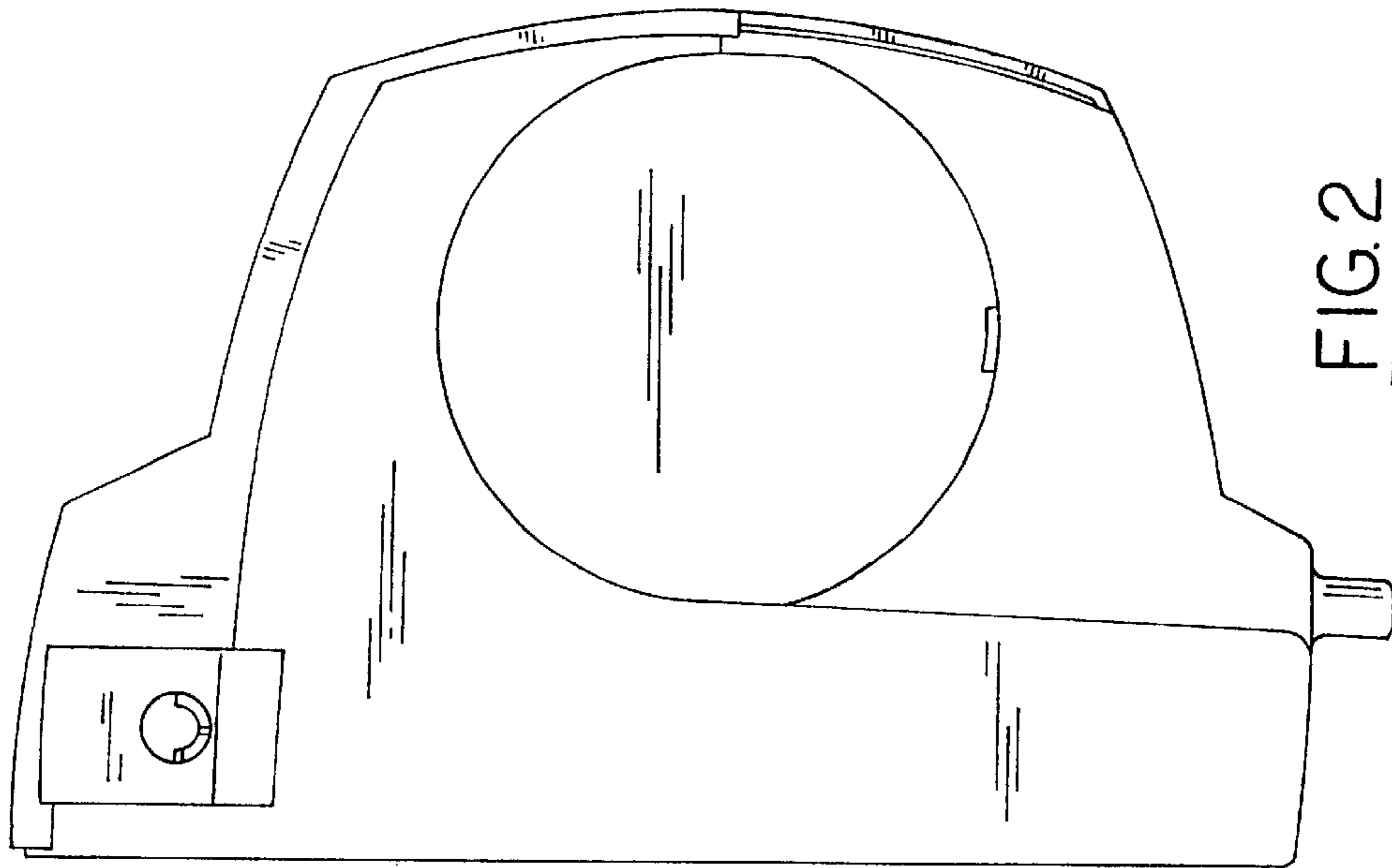


FIG. 2

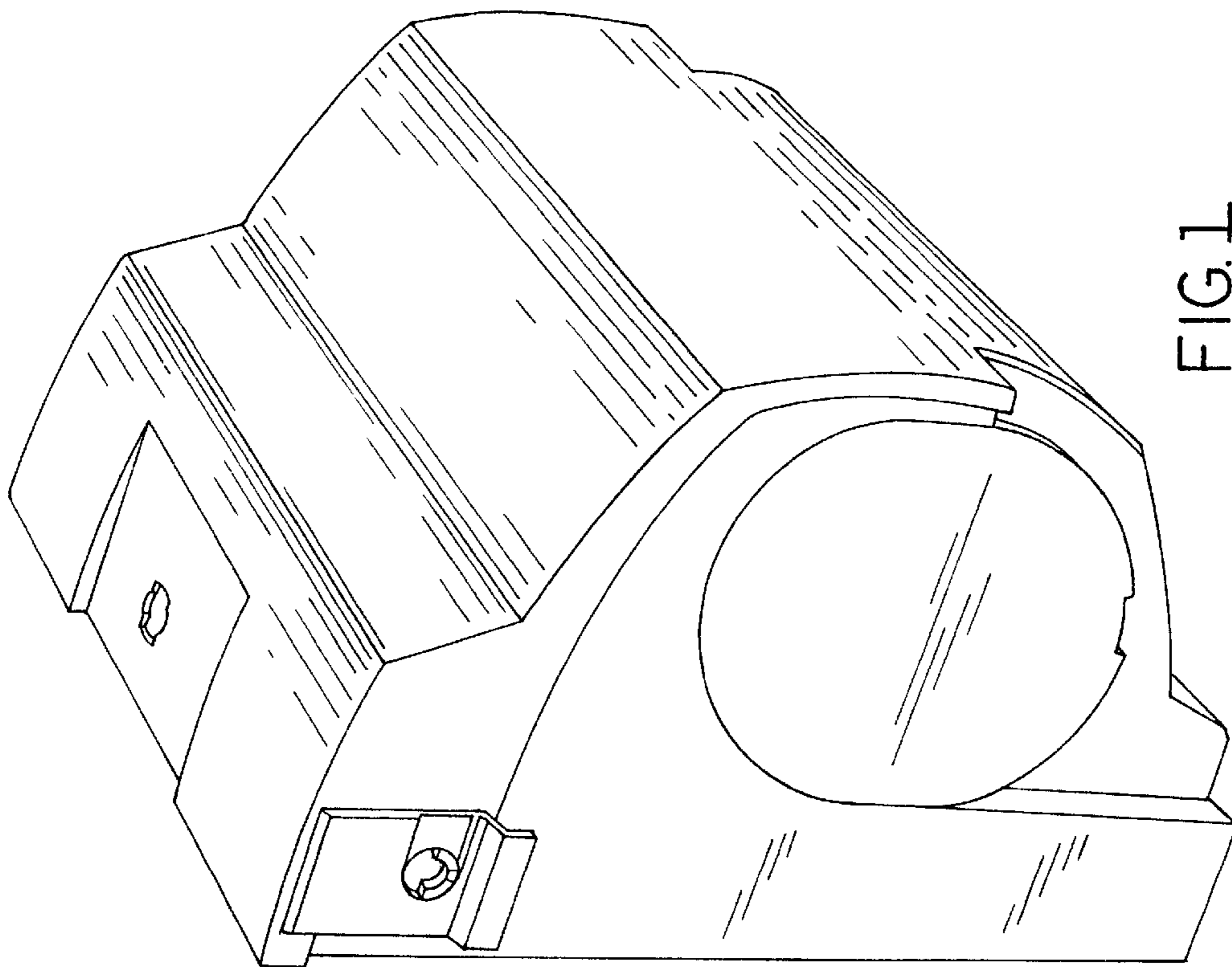


FIG. 1

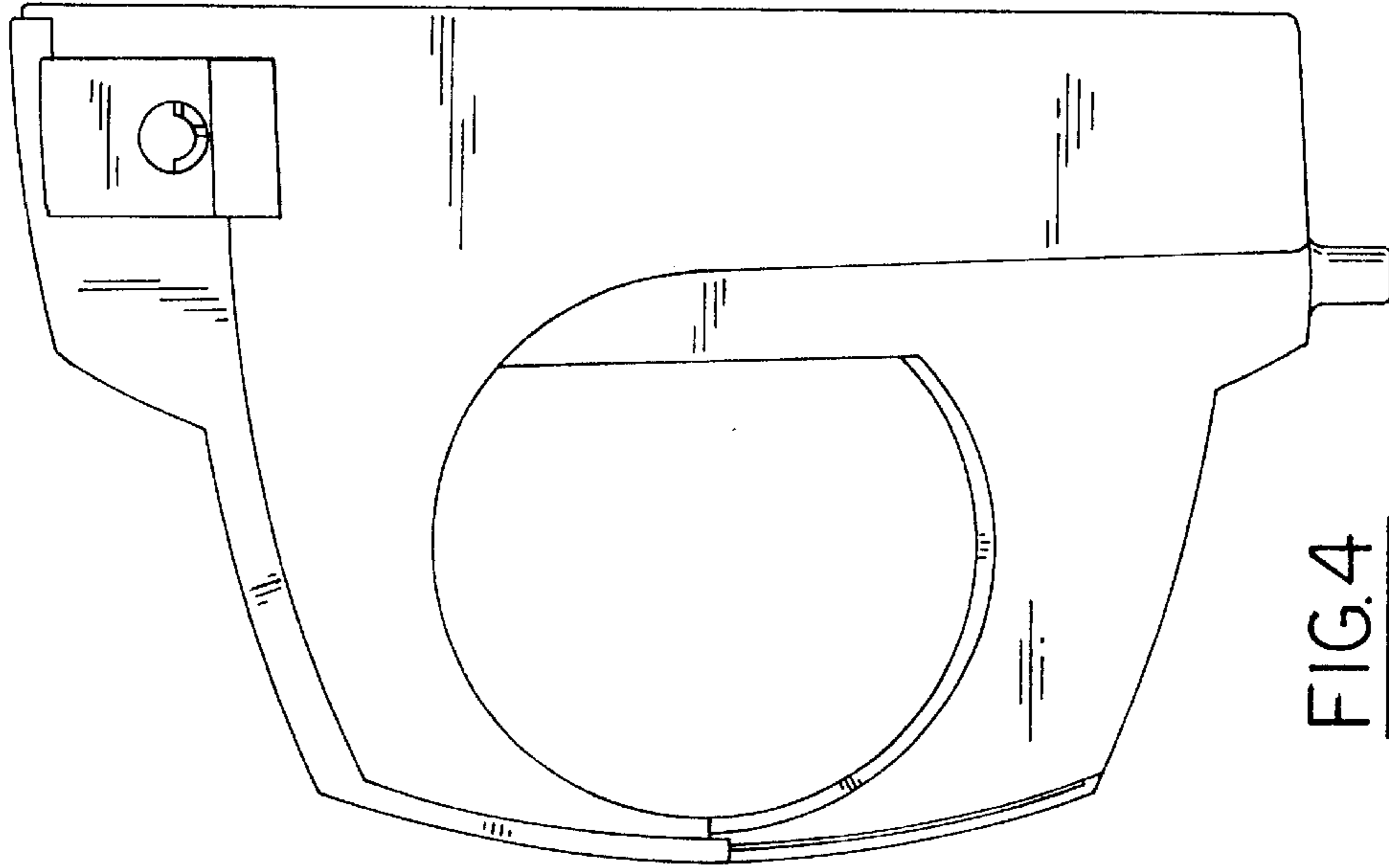


FIG. 4

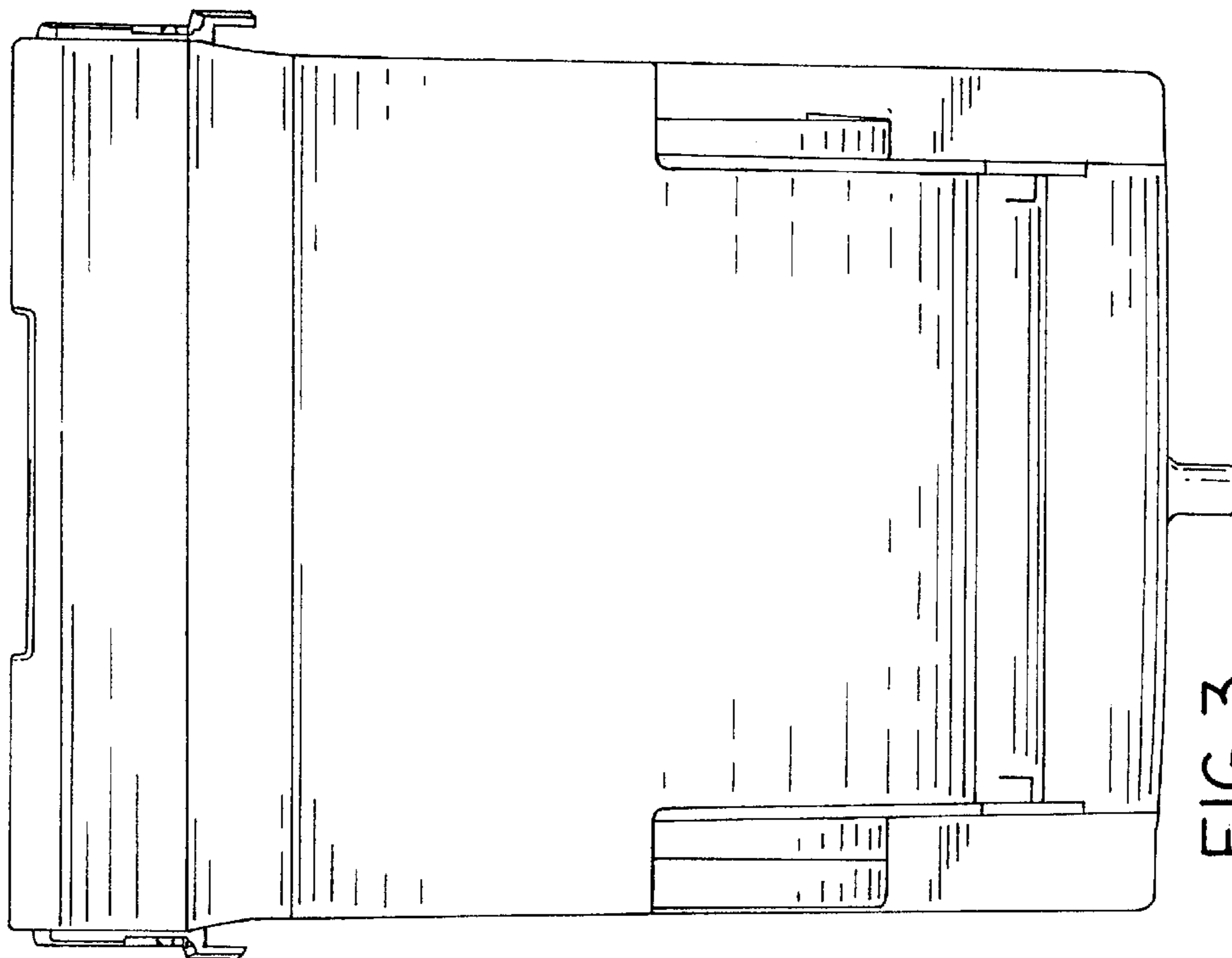


FIG. 3

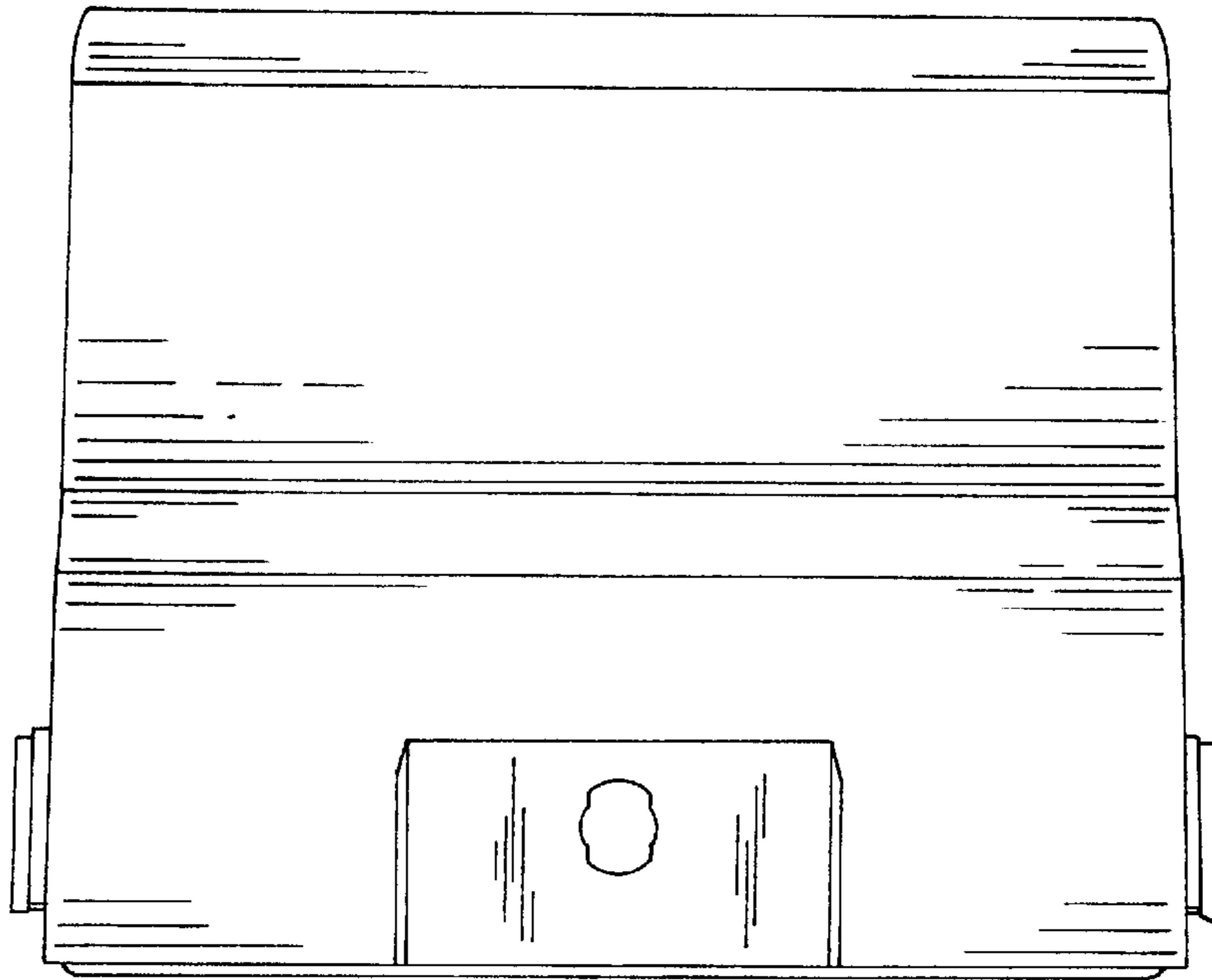


FIG. 5

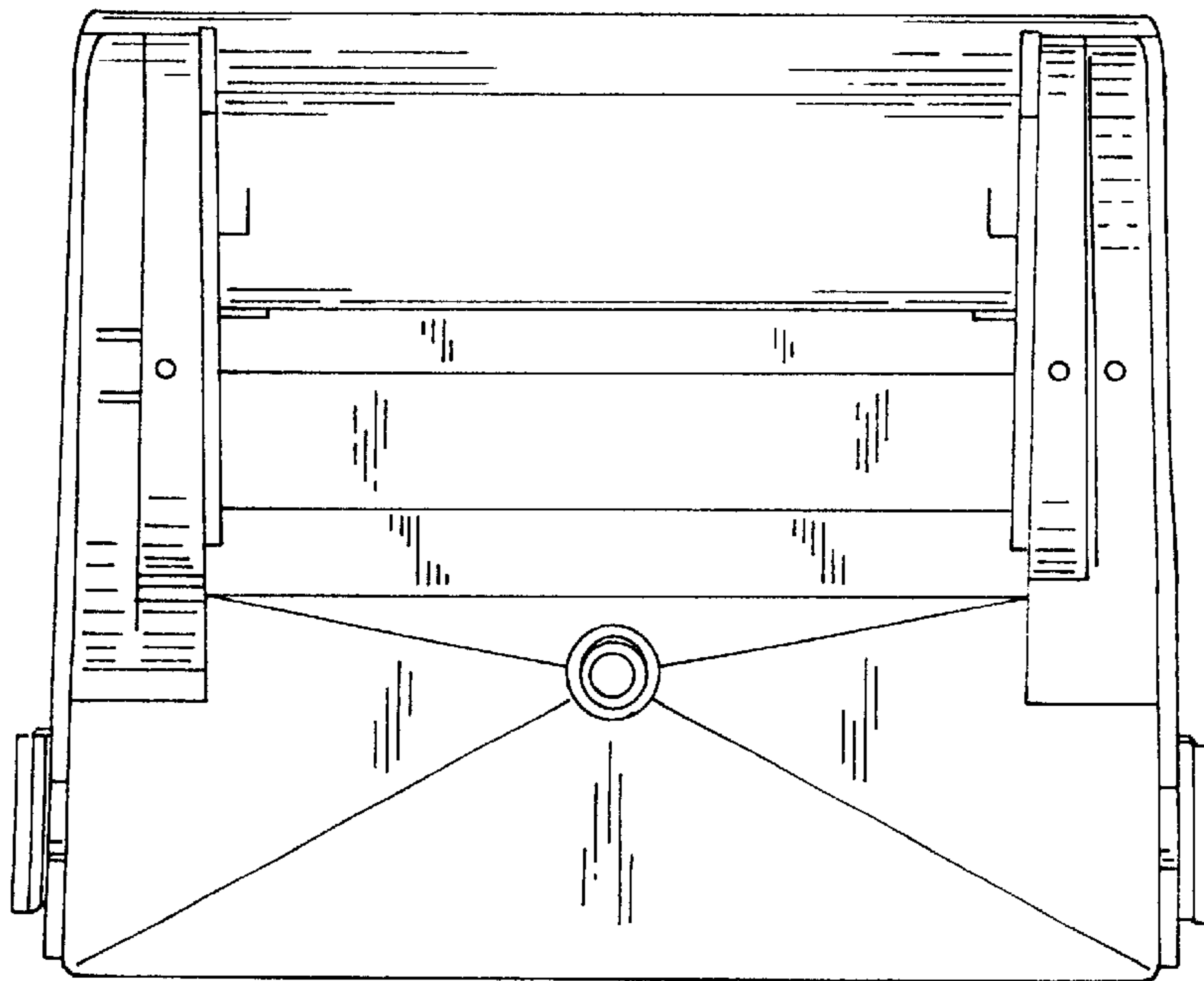


FIG. 6