



US00D458355S

(12) **United States Design Patent**
Tanner

(10) **Patent No.:** **US D458,355 S**

(45) **Date of Patent:** **** Jun. 4, 2002**

(54) **COMBINATION URINAL AND TOILET**

(76) **Inventor:** **Jeffrey Michael Tanner**, 5210 Country View Dr., Zanesville, OH (US) 43701

(**) **Term:** **14 Years**

(21) **Appl. No.:** **29/140,532**

(22) **Filed:** **Apr. 20, 2001**

(51) **LOC (7) Cl.** **23-02**

(52) **U.S. Cl.** **D23/301; D23/302**

(58) **Field of Search** D23/270-272,
D23/295-303, 309-313; 4/667, 300, 328-329,
340-343, 353-354, 364, 365, 420, 443,
446, 449, 460, 462, 463, 476, 477, 479-483,
902, DIG. 12, DIG. 15

(56) **References Cited**

U.S. PATENT DOCUMENTS

1,002,508 A * 9/1911 Faust 4/341
D181,512 S * 11/1957 Zupon D23/271
D283,834 S * 5/1986 Grudzinskas D23/301 X

5,299,328 A * 4/1994 Walega 4/341
5,799,340 A * 9/1998 Hubrig et al. 4/342
5,884,345 A * 3/1999 Sugiyama et al. 4/443

* cited by examiner

Primary Examiner—Louis S. Zarfes
Assistant Examiner—Robert A. Delehanty

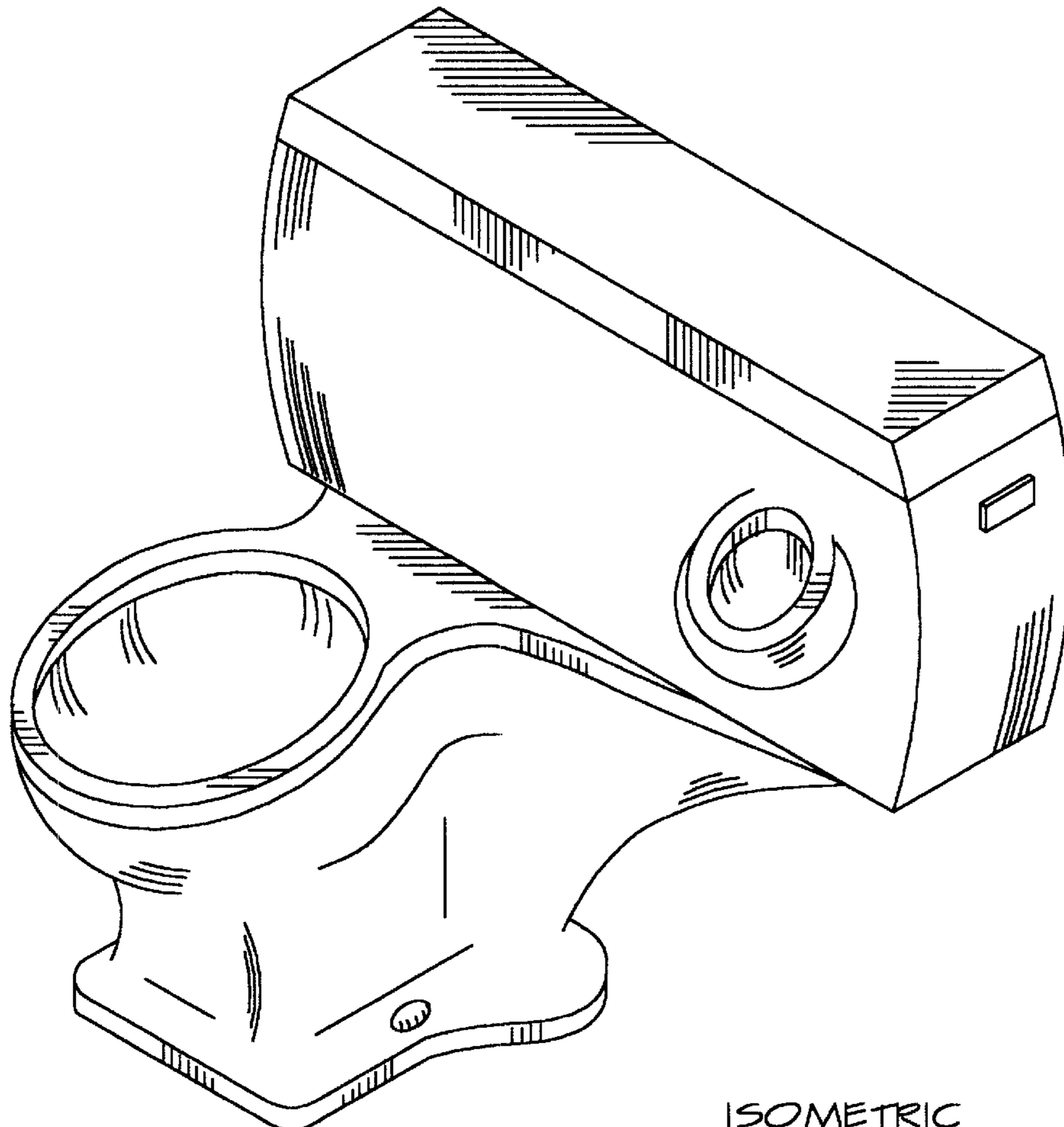
(57) **CLAIM**

The ornamental design for a combination urinal and toilet, as shown.

DESCRIPTION

FIG. 1 is a perspective view taken from the top, front and right side of a combination urinal and toilet showing my new design;
FIG. 2 is a front elevational view thereof;
FIG. 3 is a rear elevational view thereof;
FIG. 4 is a top plan view thereof;
FIG. 5 is a bottom plan view thereof;
FIG. 6 is a left side elevational view thereof; and,
FIG. 7 is a right side elevational view thereof.

1 Claim, 4 Drawing Sheets



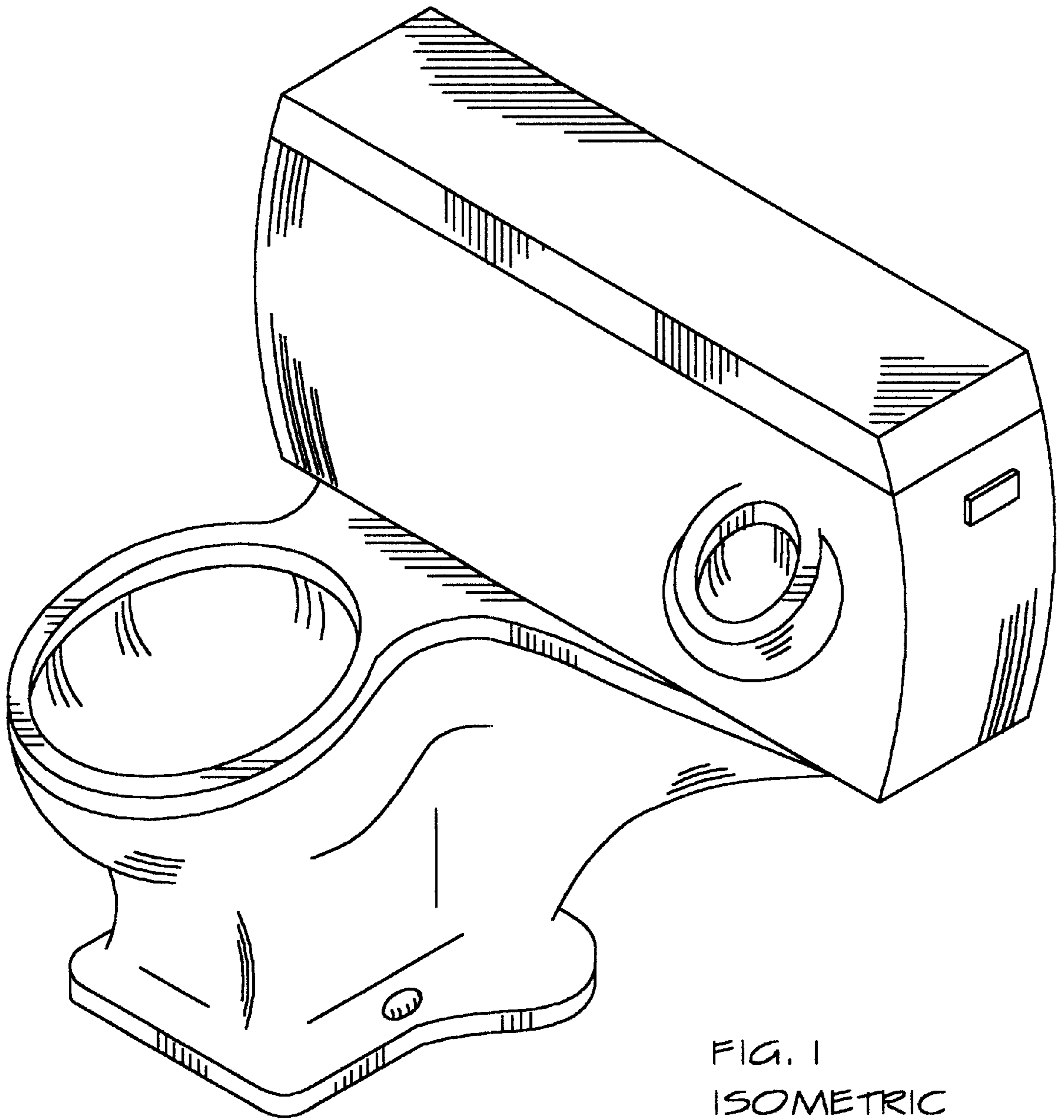


FIG. 1
ISOMETRIC

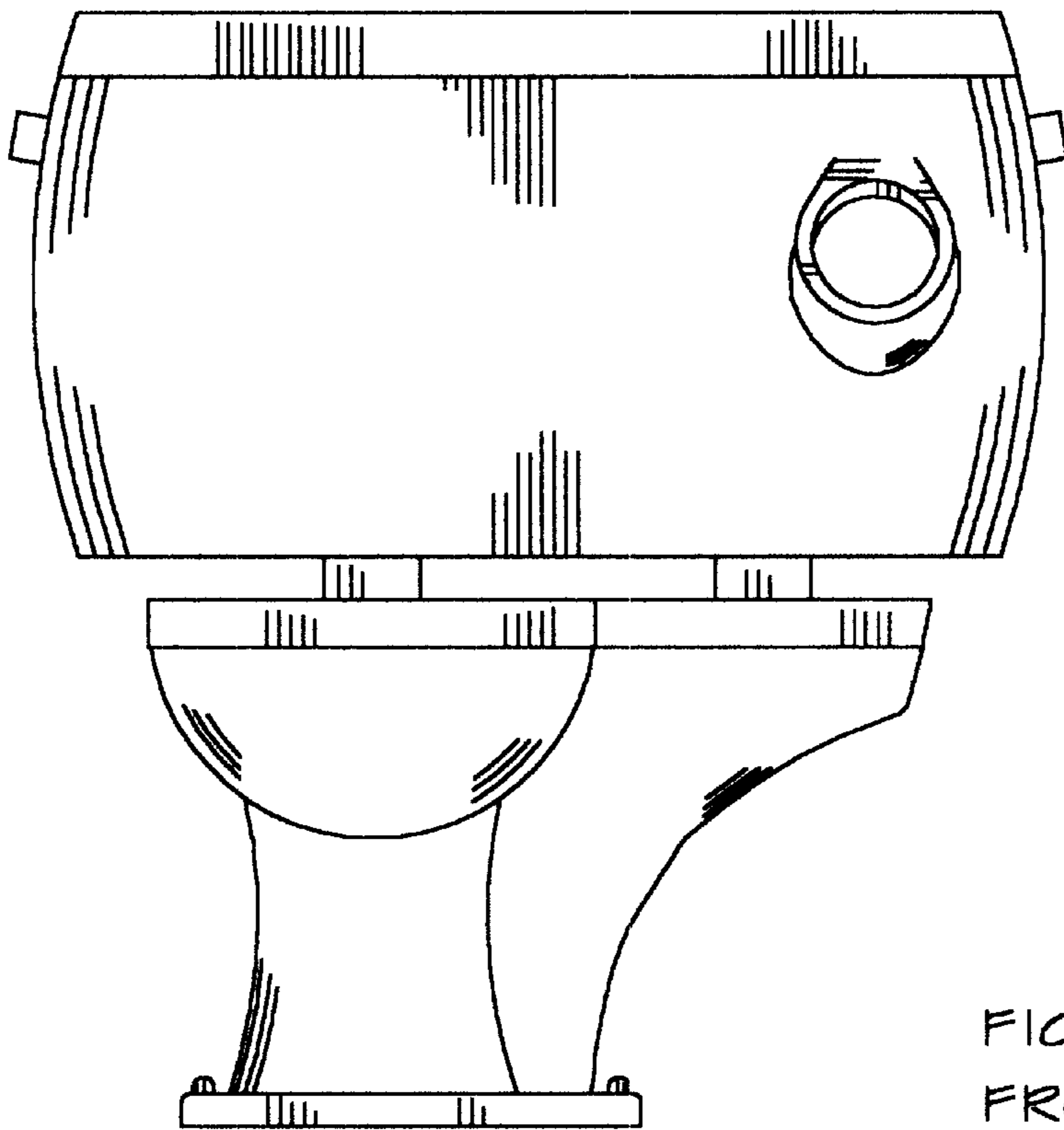


FIG. 2
FRONT VIEW

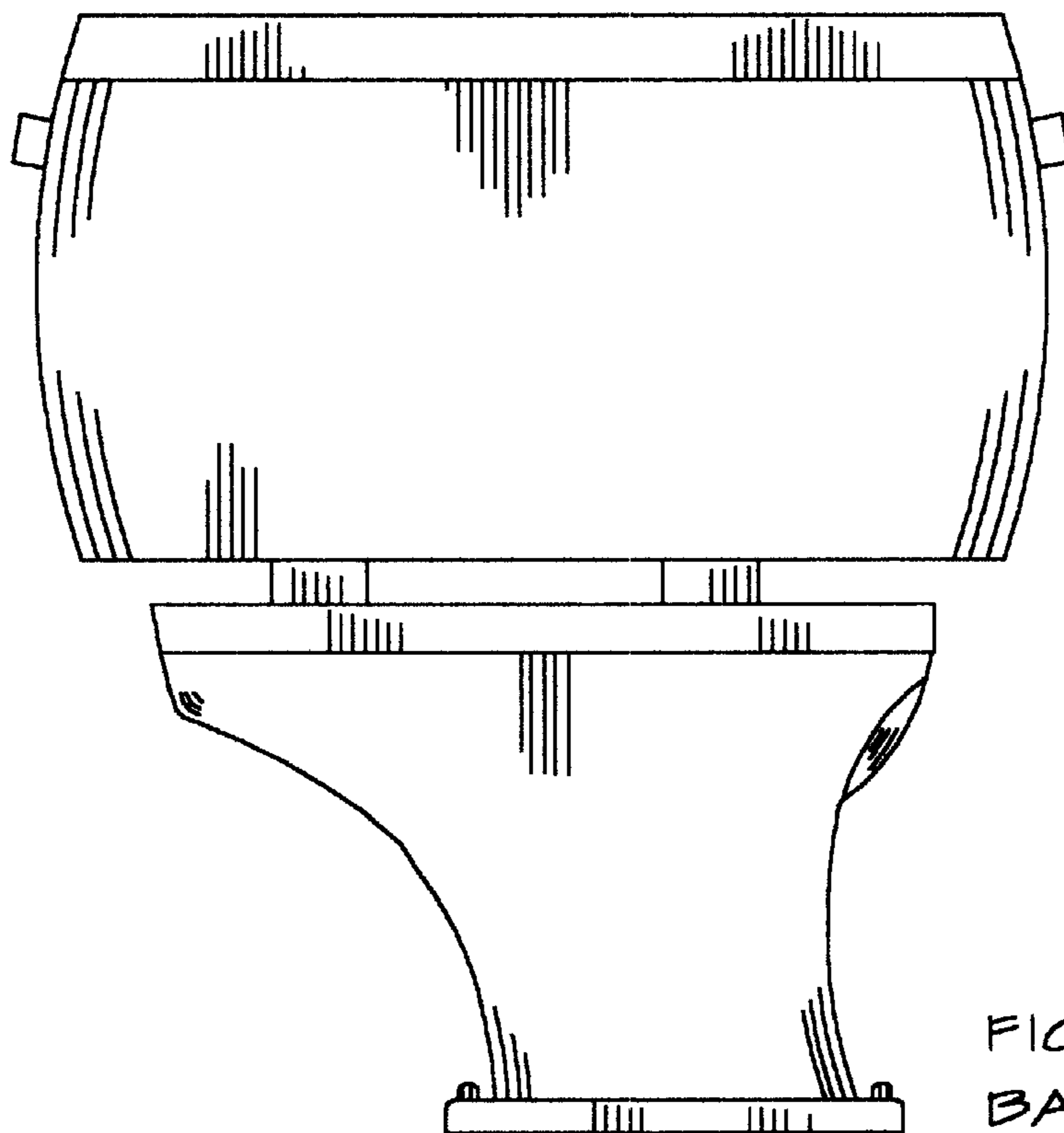


FIG. 3
BACK VIEW

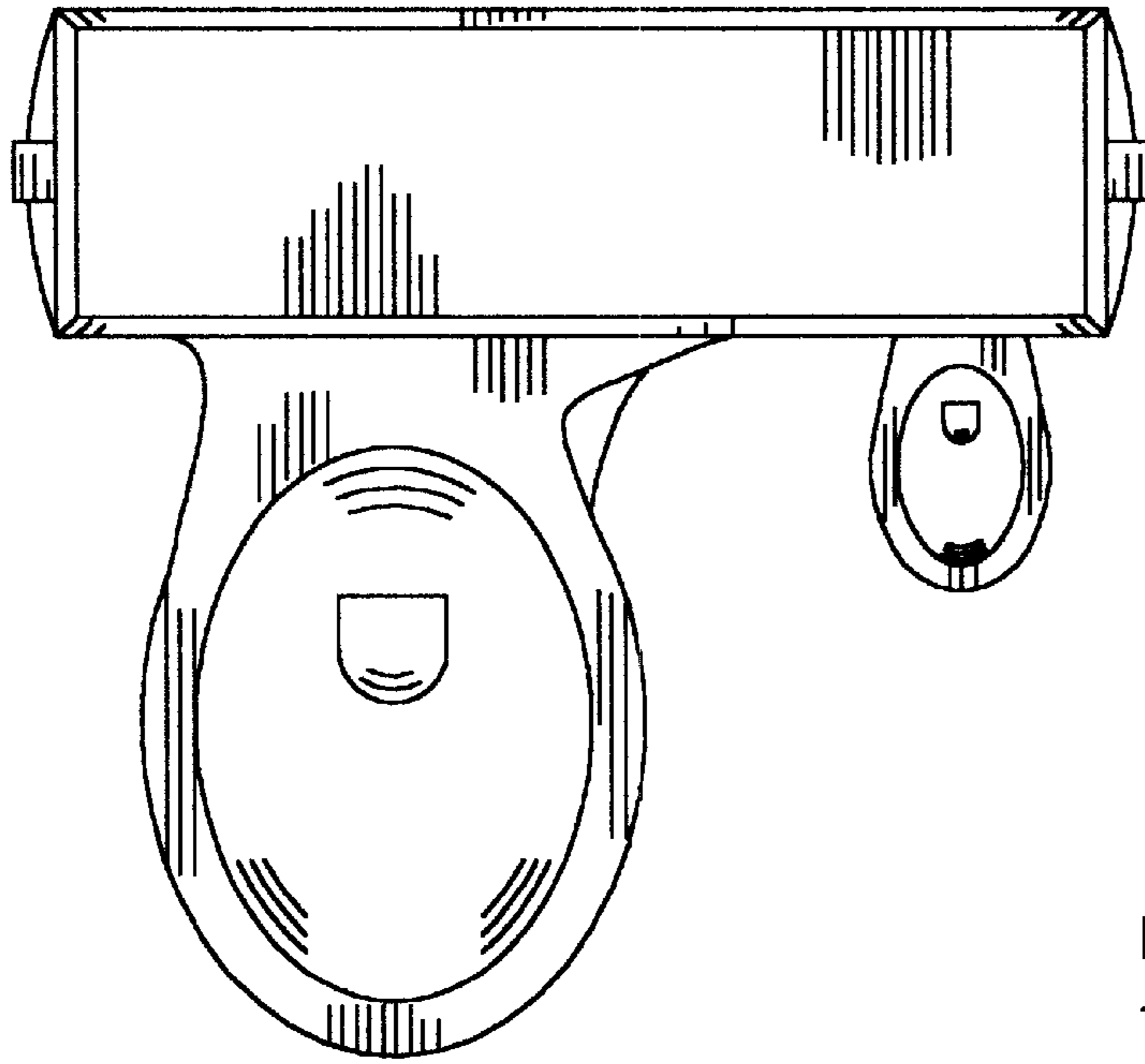


FIG. 4
TOP VIEW

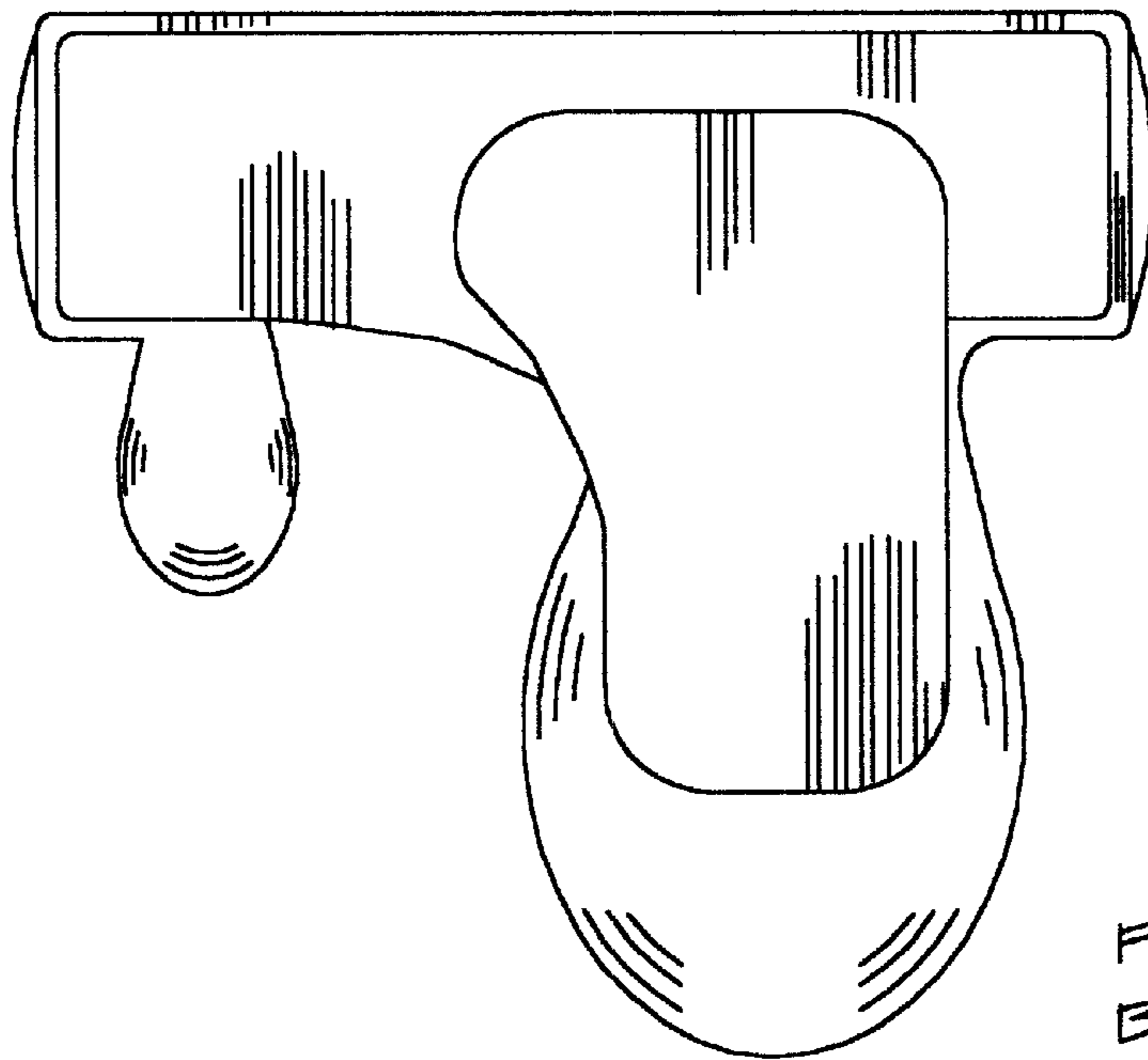


FIG. 5
BOTTOM VIEW

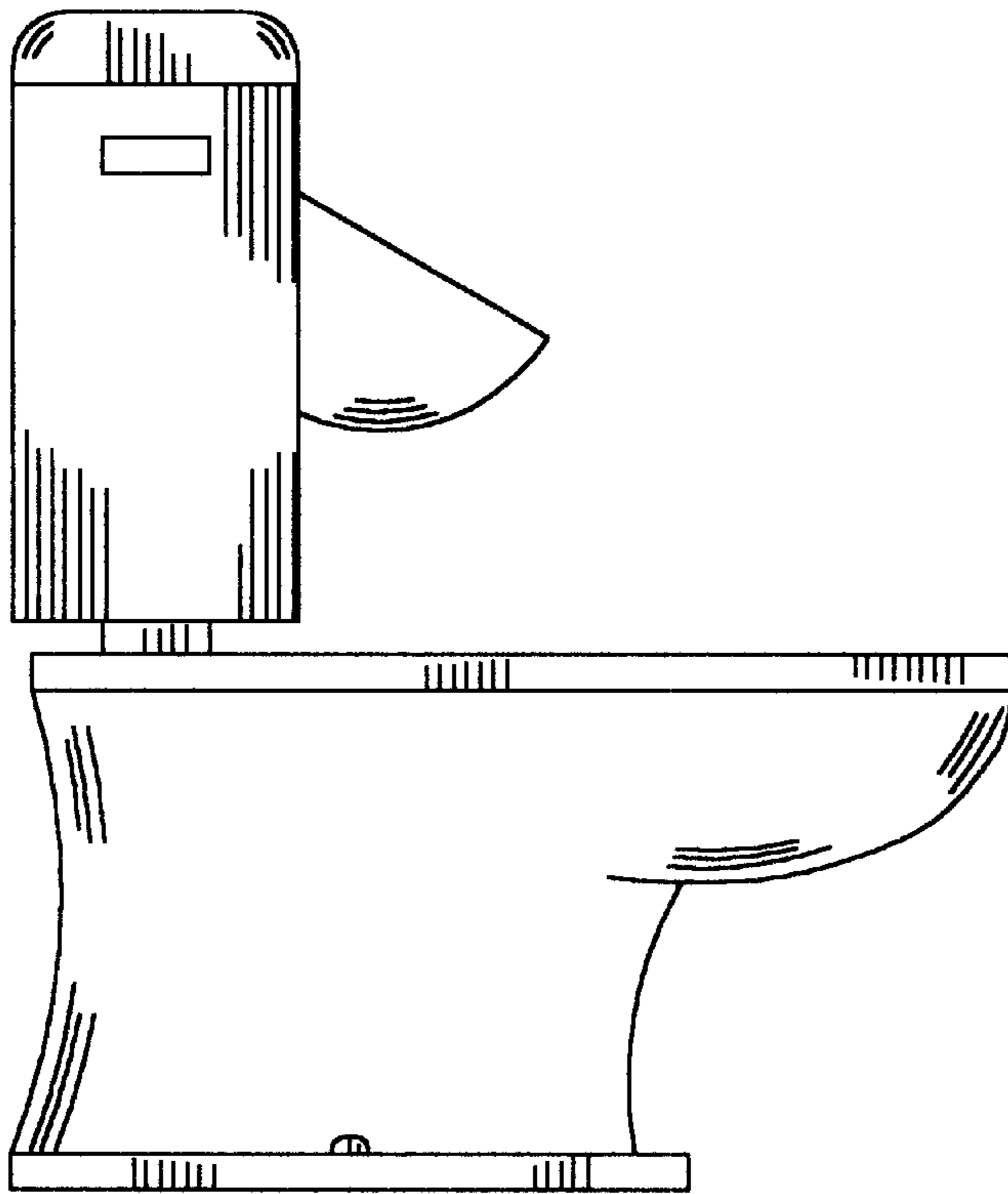


FIG. 6
LEFT SIDE VIEW

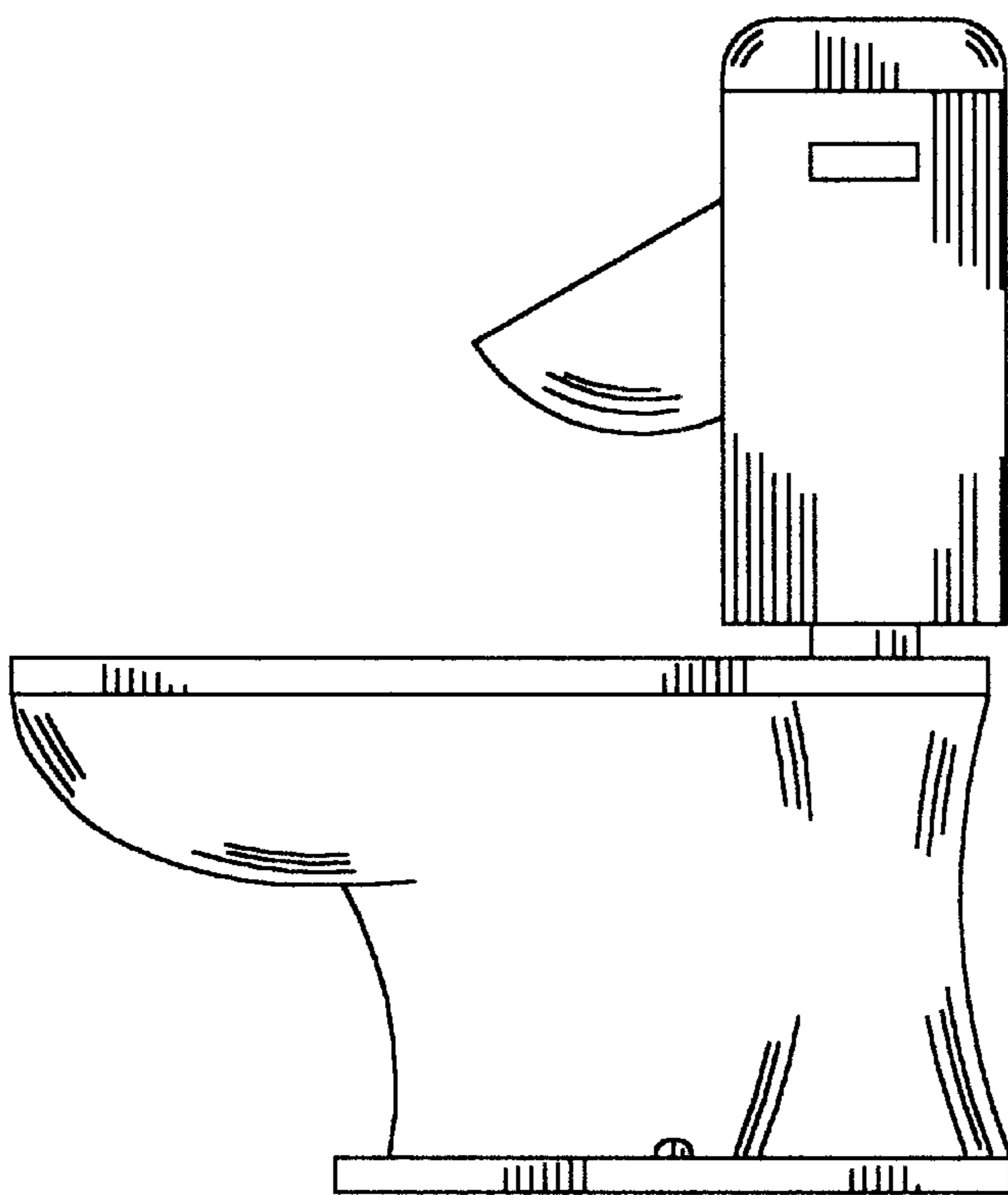


FIG. 7
RIGHT SIDE VIEW