



US00D458354S

(12) **United States Design Patent**
Watson

(10) **Patent No.:** **US D458,354 S**
(45) **Date of Patent:** **** Jun. 4, 2002**

(54) **DRAW AND RETURN TUBE ASSEMBLY
HAVING A MULTI-APERTURE FLANGE**

Primary Examiner—Robin V. Taylor
(74) *Attorney, Agent, or Firm*—Ingrid McTaggart

(76) **Inventor:** **Kenneth A. Watson**, 1100 NE. 126th
St., Vancouver, WA (US) 98685

(57) **CLAIM**

(**) **Term:** **14 Years**

I claim the ornamental design for a draw and return tube assembly having a multi-aperture flange, as shown and described.

(21) **Appl. No.:** **29/125,305**

(22) **Filed:** **Jun. 21, 2000**

DESCRIPTION

(51) **LOC (7) Cl.** **23-01**

FIG. 1 is an isometric view of the draw and return tube assembly having a multi-aperture flange looking downwardly toward the front of the assembly;

(52) **U.S. Cl.** **D23/266**

FIG. 2 is an isometric view of the draw and return tube assembly having a multi-aperture flange looking upwardly toward the rear of the assembly;

(58) **Field of Search** D23/266; 137/590,
137/15.08; 123/514

FIG. 3 is a bottom plan view of the draw and return tube assembly having a multi-aperture flange;

(56) **References Cited**

U.S. PATENT DOCUMENTS

4,212,318	A	7/1980	Warmbold	
4,340,023	A *	7/1982	Creager	123/514
4,651,701	A *	3/1987	Weaver	137/590
4,694,857	A	9/1987	Harris	
5,146,901	A	9/1992	Jones	
5,201,298	A	4/1993	Shearn	
5,533,486	A	7/1996	Qutub	
5,601,066	A	2/1997	Qutub	
D379,404	S *	5/1997	Spelts	D23/266
5,873,348	A *	2/1999	Fuchs et al.	123/514
6,098,599	A *	8/2000	Muldoon et al.	123/514
6,161,562	A *	12/2000	Keefer et al.	137/15.08
6,273,123	B1 *	8/2001	Keefer et al.	137/590

FIG. 4 is a top plan view of the draw and return tube assembly having a multi-aperture flange;

FIG. 5 is a front elevational view of the draw and return tube assembly having a multi-aperture flange;

FIG. 6 is a rear elevational view of the draw and return tube assembly having a multi-aperture flange;

FIG. 7 is a left side elevational view of the draw and return tube assembly having a multi-aperture flange; and,

FIG. 8 is a right side elevational view of the draw and return tube assembly having a multi-aperture flange.

* cited by examiner

1 Claim, 2 Drawing Sheets

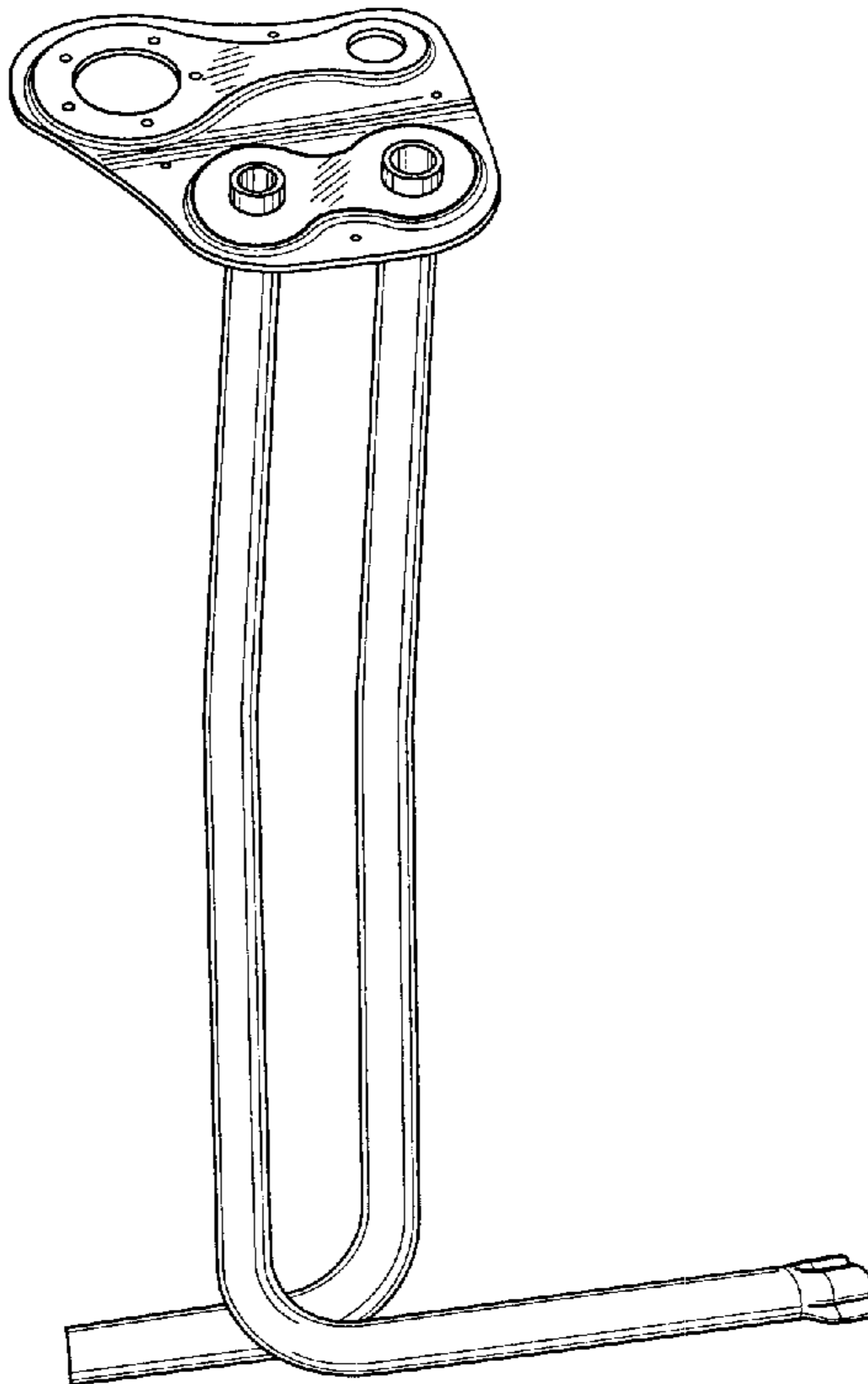


FIG. 1

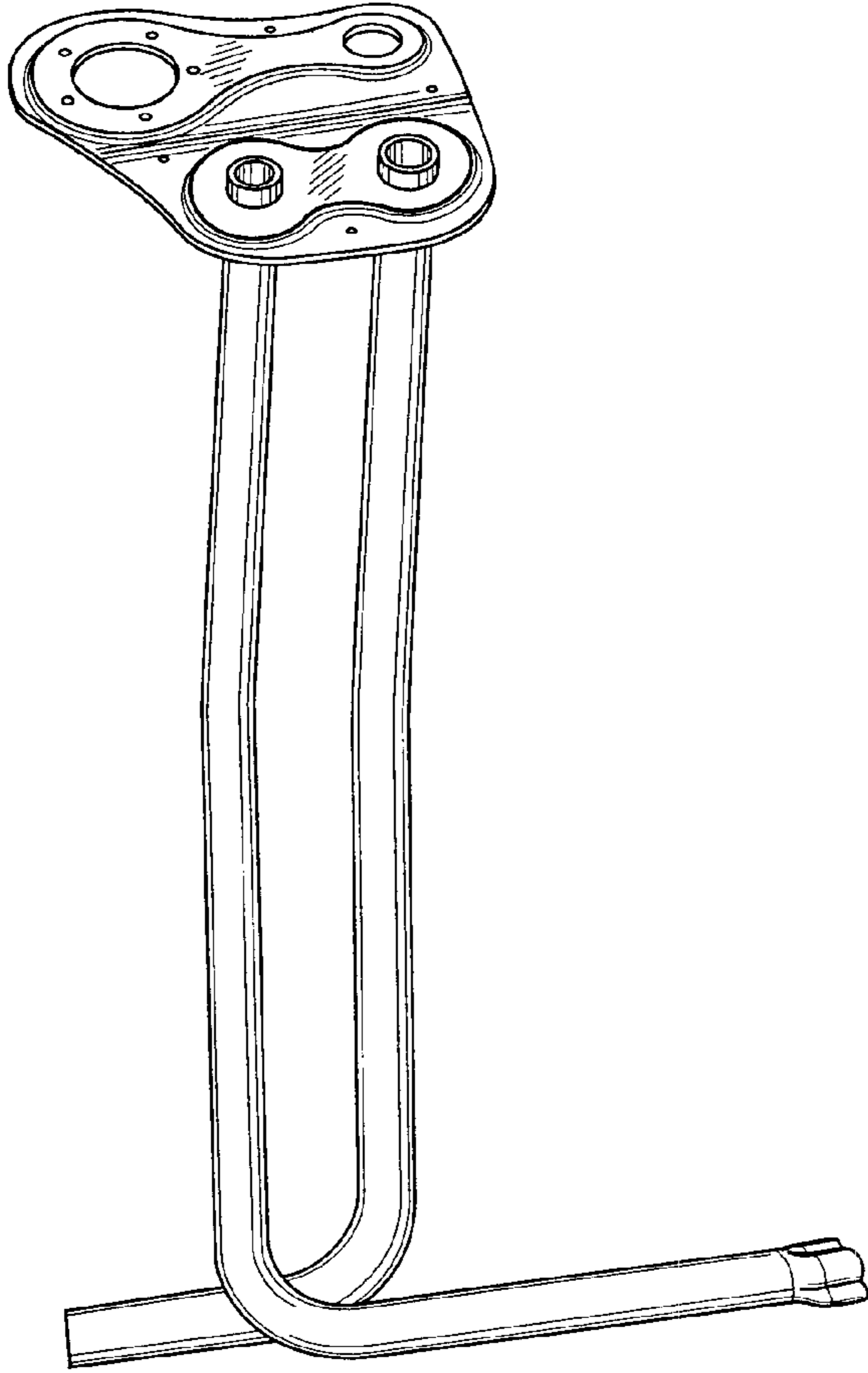


FIG. 2

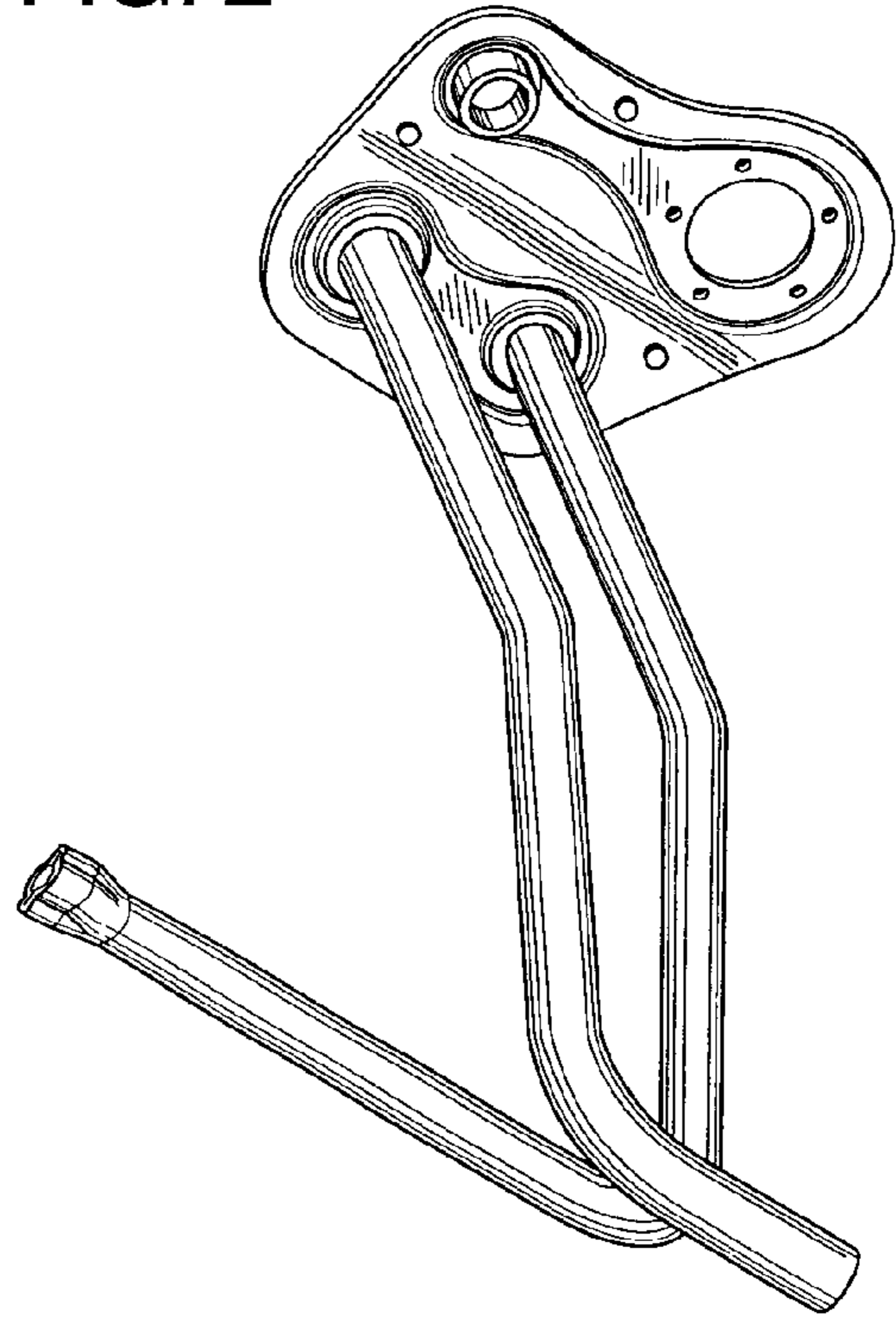


FIG. 4

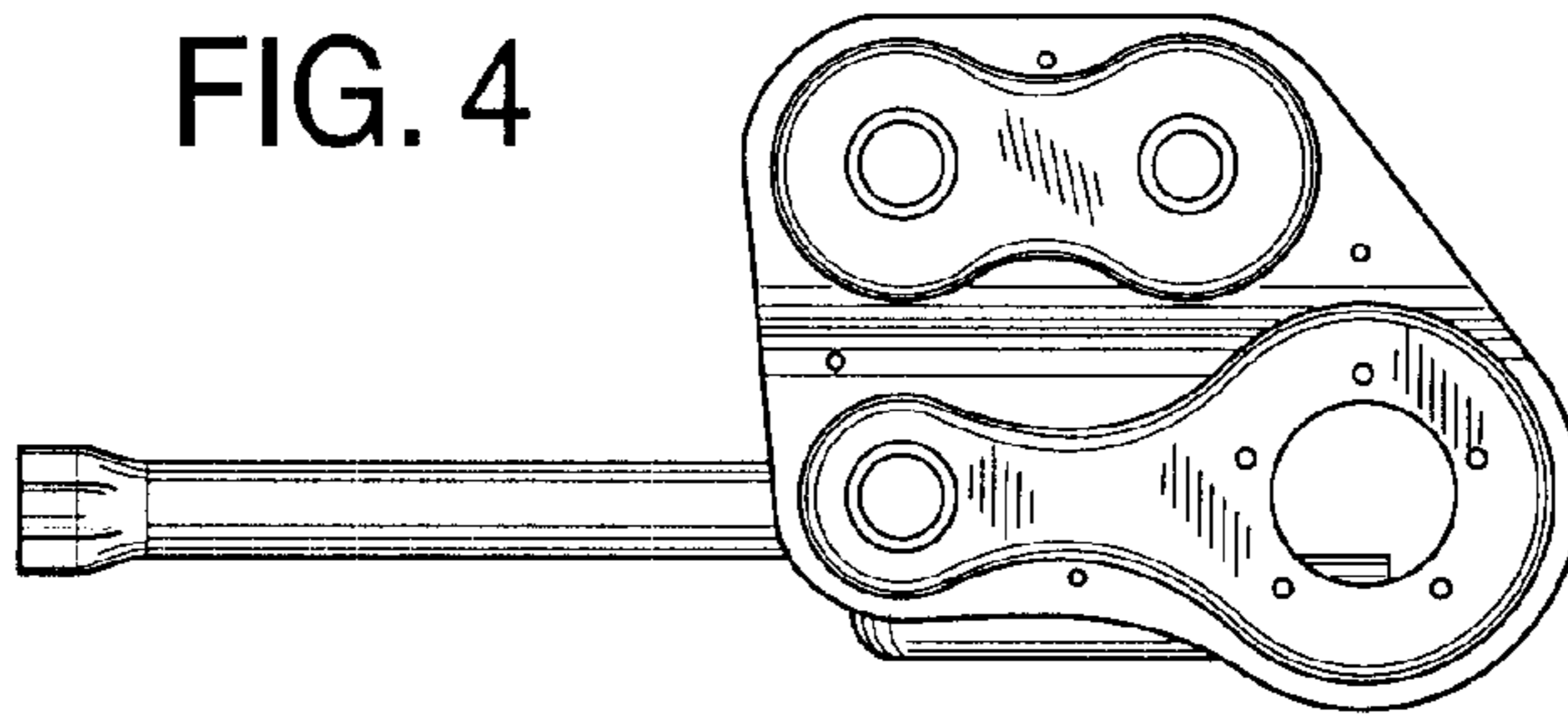


FIG. 3

