



US00D458349S

(12) **United States Design Patent**  
**Müllenmeister**

(10) **Patent No.:** **US D458,349 S**

(45) **Date of Patent:** **\*\* Jun. 4, 2002**

(54) **FAUCET HANDLE LEVER ASSEMBLY**

D371,826 S \* 7/1996 Robbins ..... D23/252

D430,924 S \* 9/2000 Wei et al. .... D23/252

D447,542 S \* 9/2001 Dretzka ..... D23/252

(75) Inventor: **Daniel Müllenmeister**, Havixbeck (DE)

(73) Assignee: **Friedrich Grohe AG & Co. KG**,  
Hemer (DE)

\* cited by examiner

(\*\*) Term: **14 Years**

*Primary Examiner*—Louis S. Zarfaz

*Assistant Examiner*—Gregory Andoll

(74) *Attorney, Agent, or Firm*—Herbert Dubno

(21) Appl. No.: **29/145,551**

(57) **CLAIM**

(22) Filed: **Jul. 25, 2001**

The ornamental design for a faucet handle lever assembly, as shown and described.

(30) **Foreign Application Priority Data**

**DESCRIPTION**

Feb. 28, 2001 (DE) ..... 4 01 02 070

(51) **LOC (7) Cl.** ..... **23-01**

FIG. 1 is a top, rear, left-side perspective view of a faucet handle lever assembly showing my new design;

(52) **U.S. Cl.** ..... **D23/254; D23/252; D23/250**

FIG. 2 is a front elevational view thereof;

(58) **Field of Search** ..... **D23/238-257;**  
**D8/300-308, 350-354; 4/675-678; 137/801;**  
**16/110 R-121**

FIG. 3 is a rear elevational view thereof;

FIG. 4 is a top plan view thereof;

FIG. 5 is a left side elevational view thereof, the right side elevational view being mirror symmetrical thereto; and,

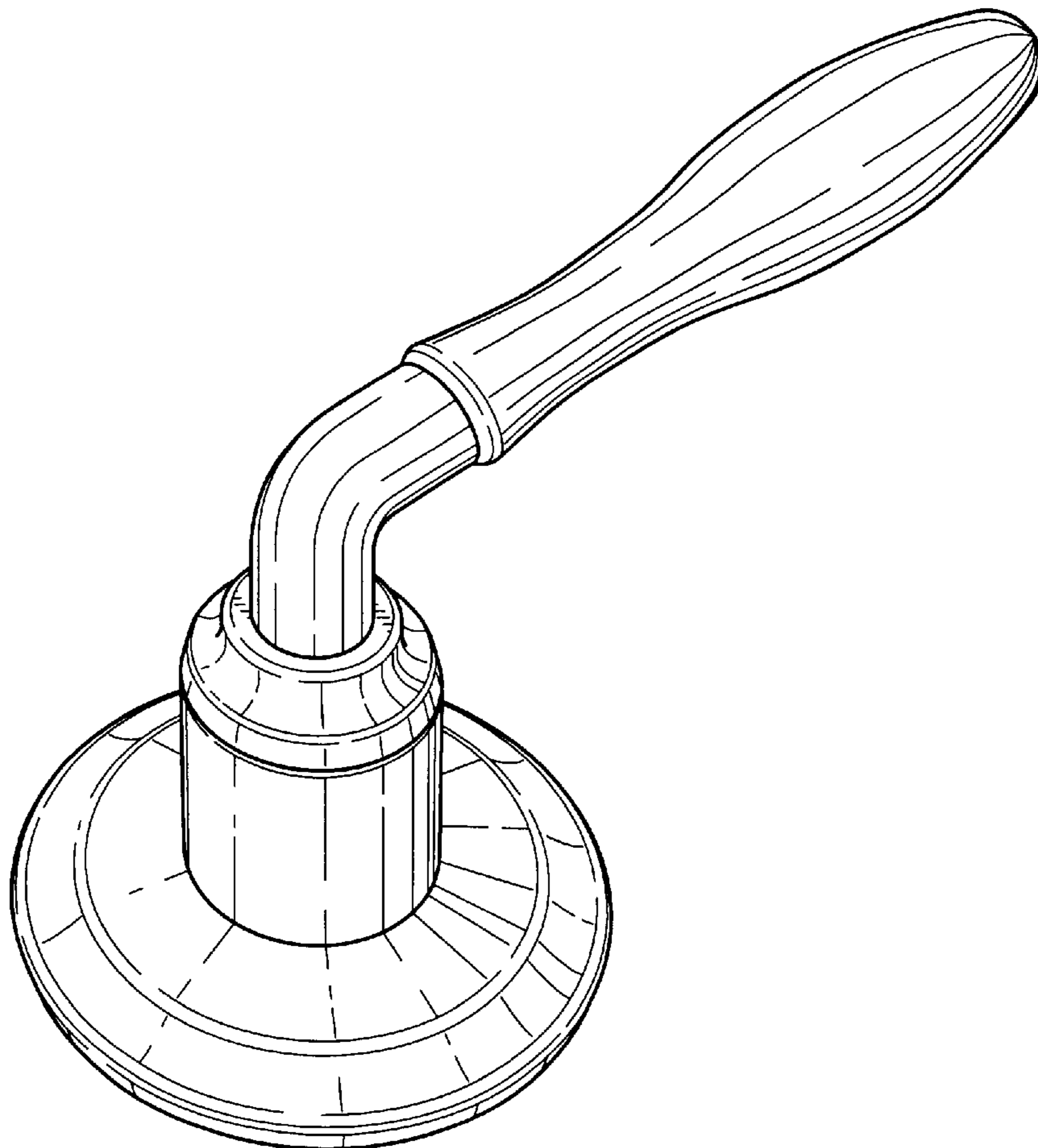
FIG. 6 is a bottom plan view thereof.

(56) **References Cited**

**U.S. PATENT DOCUMENTS**

D357,525 S \* 4/1995 Fabian ..... D23/252

**1 Claim, 2 Drawing Sheets**



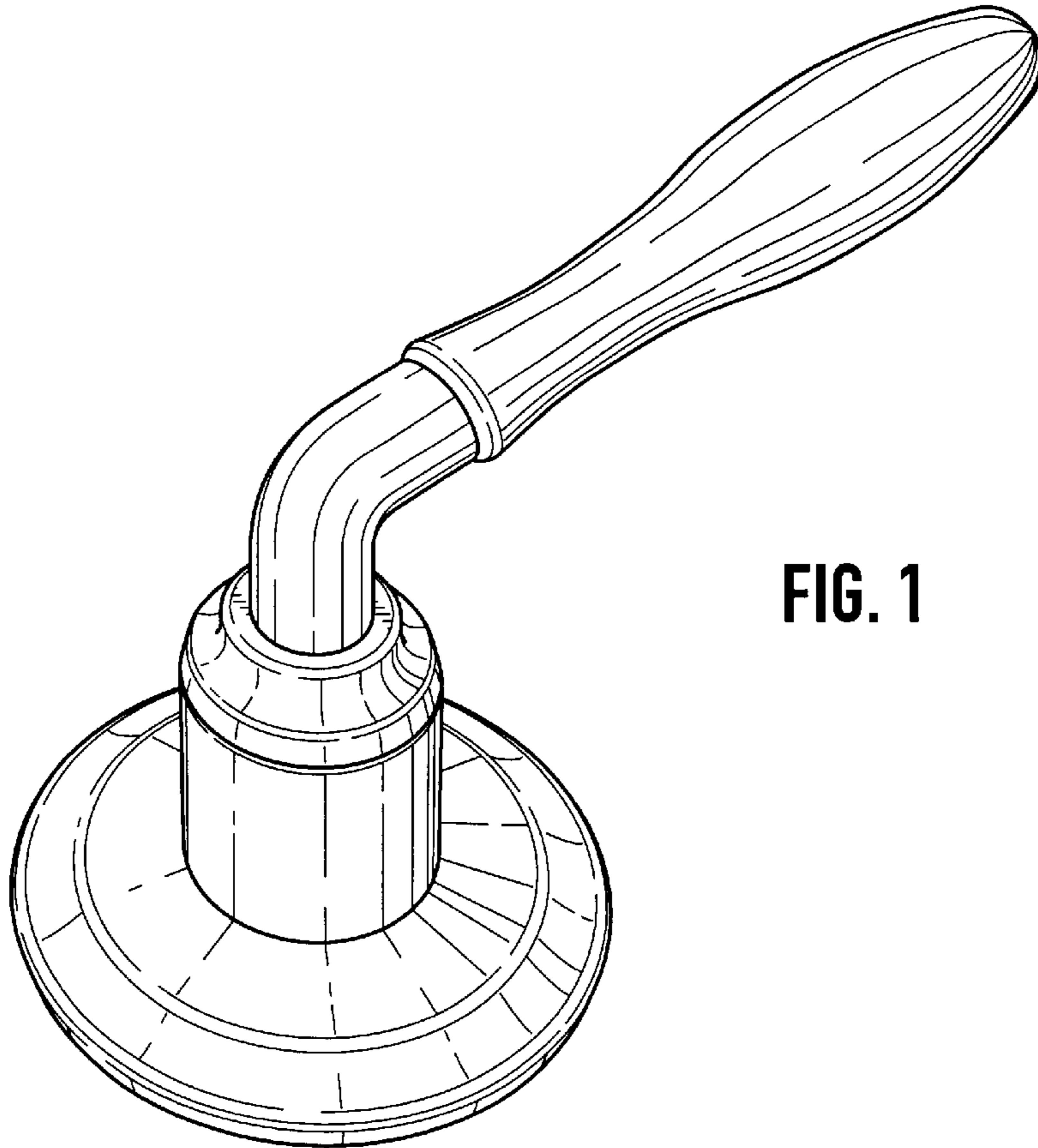


FIG. 1

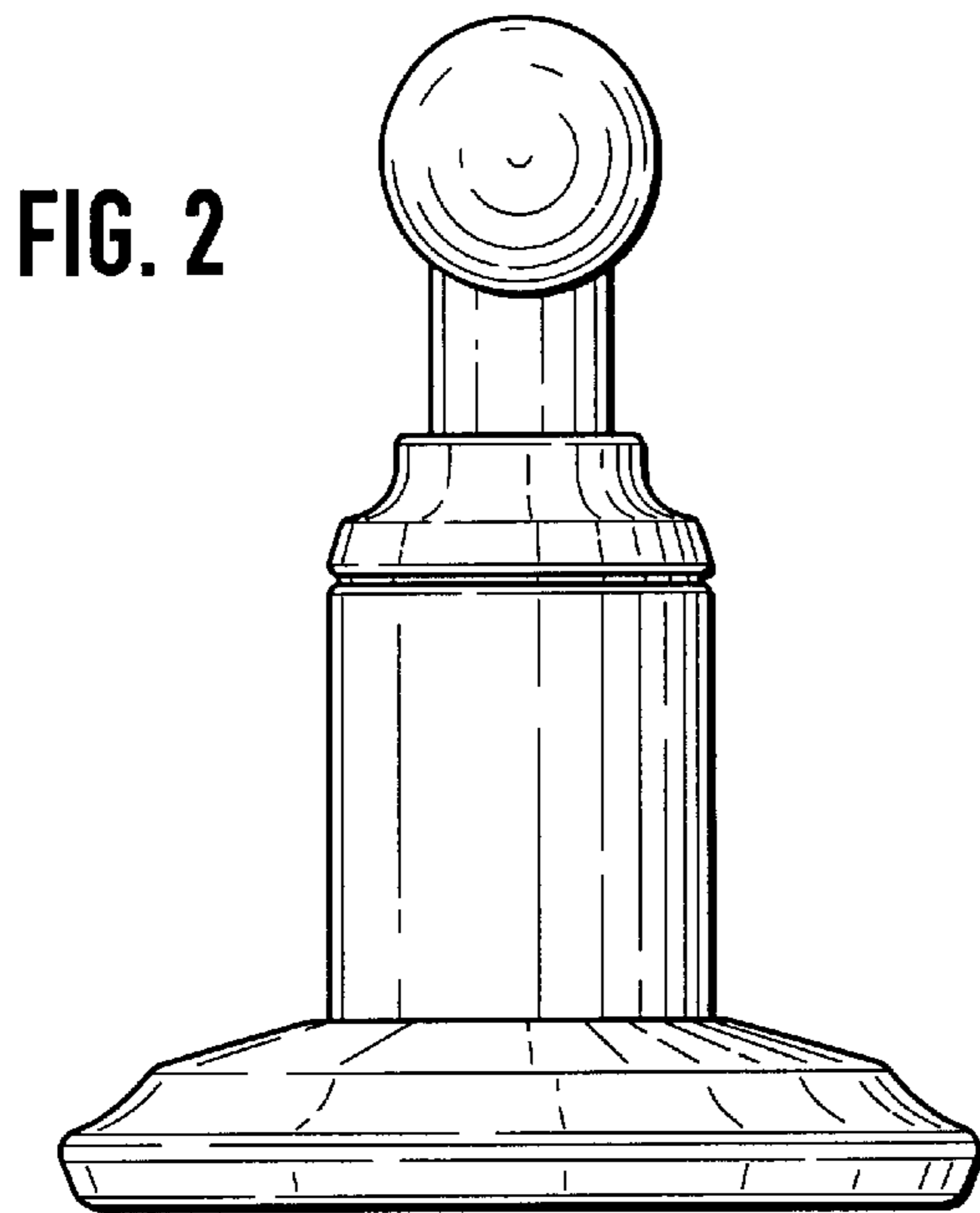


FIG. 2

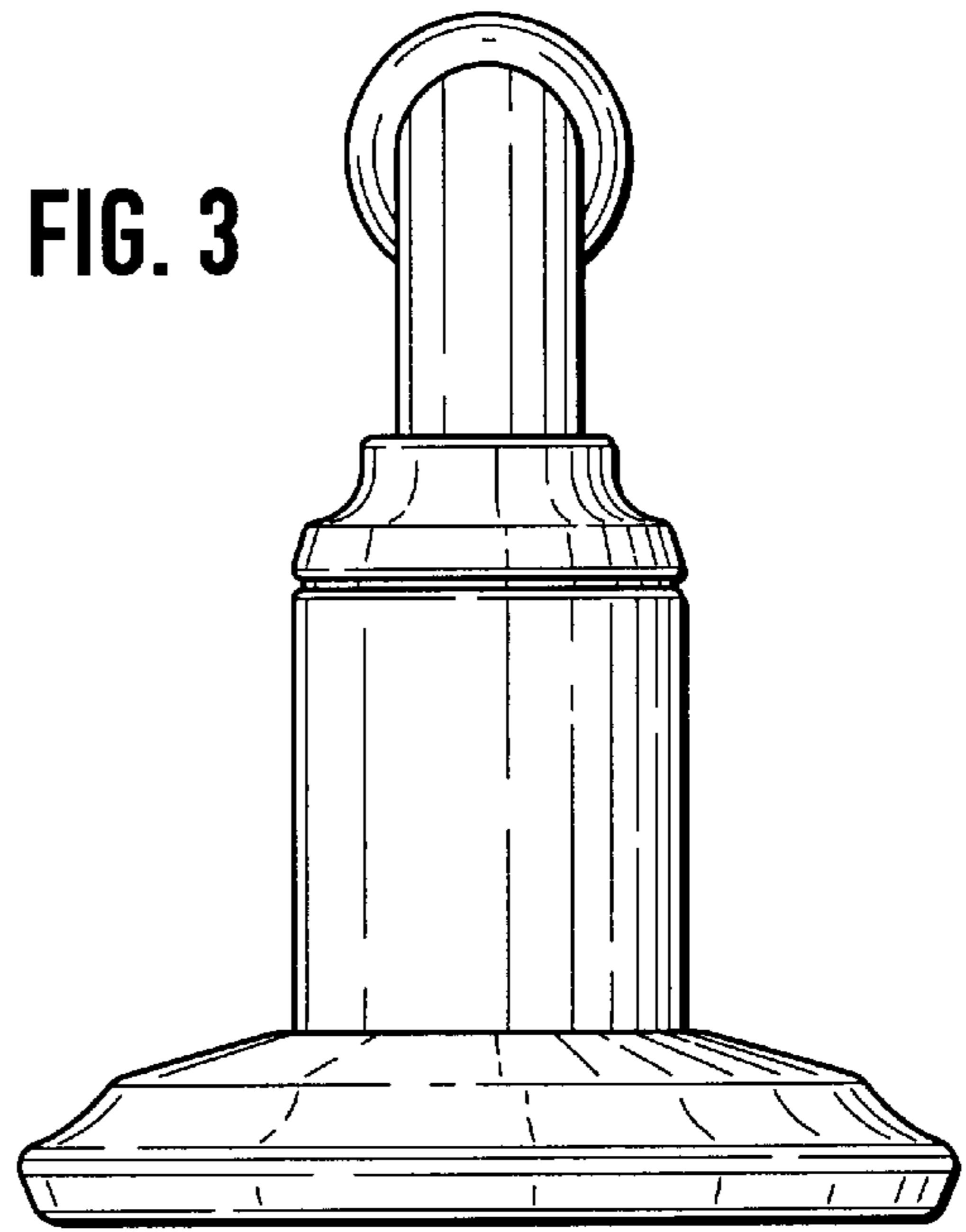


FIG. 3

FIG. 4

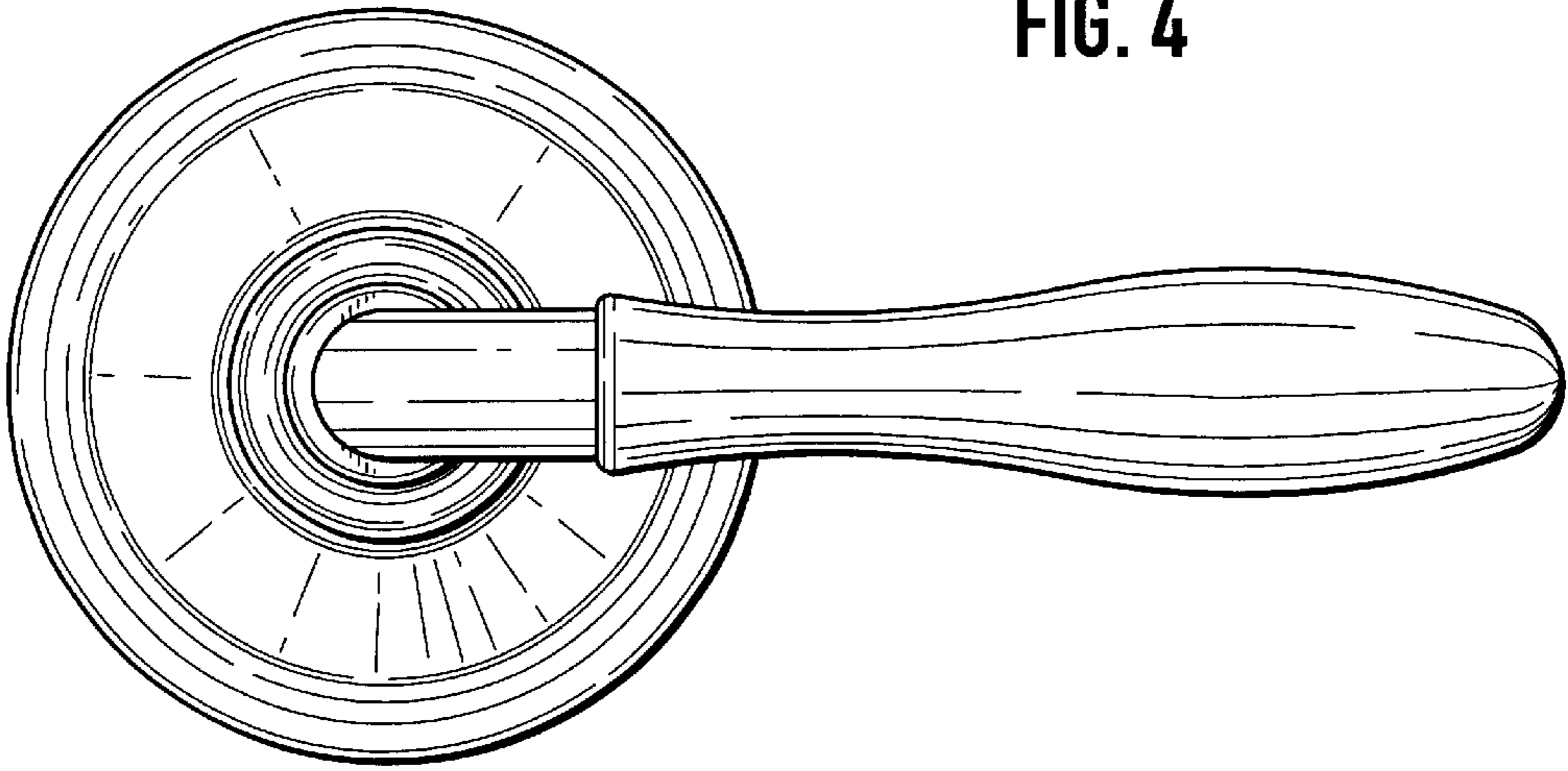


FIG. 5

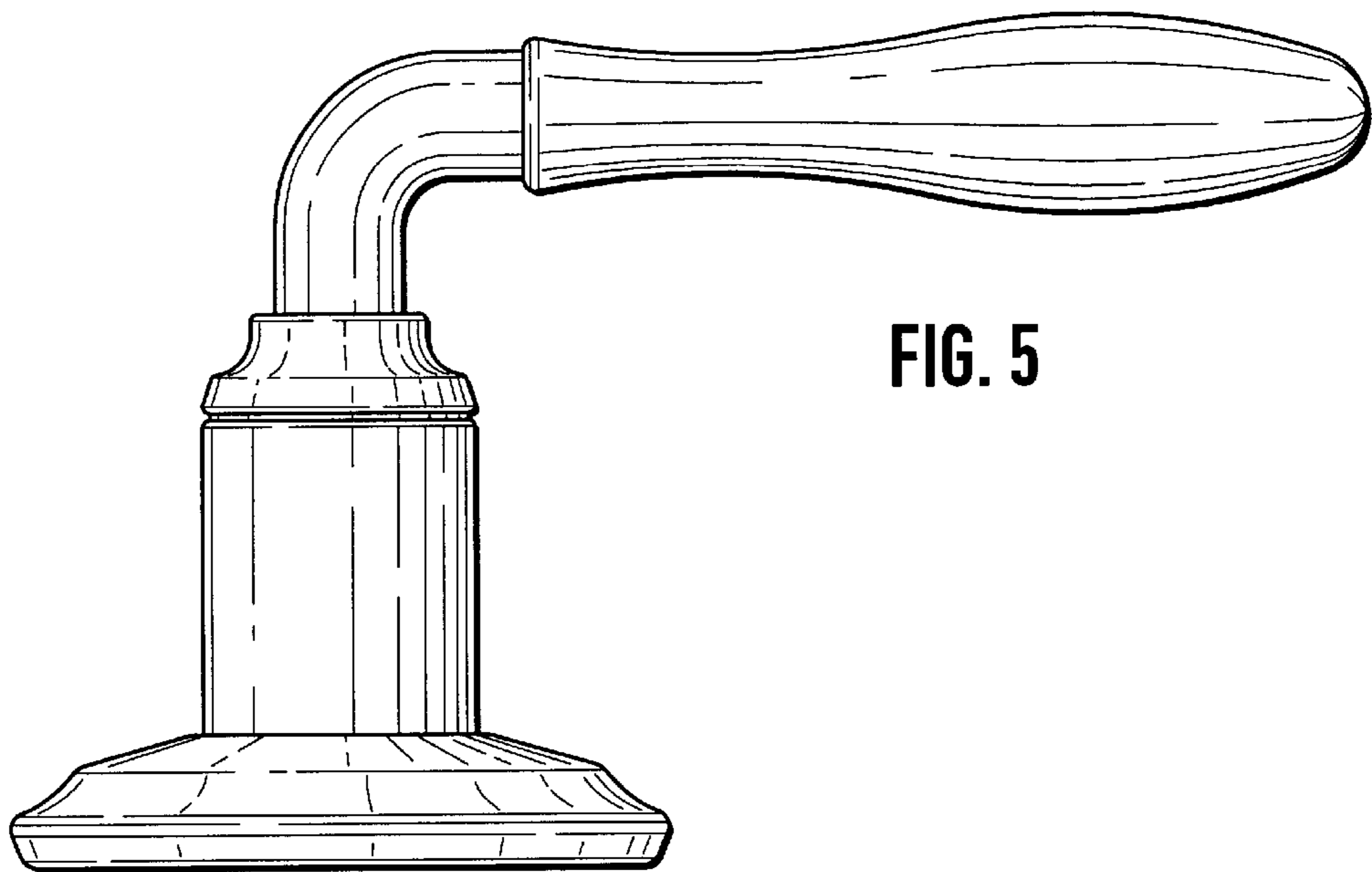


FIG. 6

