



US00D458347S

(12) **United States Design Patent**
Müllenmeister

(10) **Patent No.:** **US D458,347 S**

(45) **Date of Patent:** **** Jun. 4, 2002**

(54) **FAUCET HANDLE LEVER ASSEMBLY**

(75) **Inventor:** **Daniel Müllenmeister, Havixbeck (DE)**

(73) **Assignee:** **Friedrich Grohe AG & Co. KG, Hemer (DE)**

(**) **Term:** **14 Years**

(21) **Appl. No.:** **29/145,550**

(22) **Filed:** **Jul. 25, 2001**

(30) **Foreign Application Priority Data**

Feb. 28, 2001 (DE) 4 01 02 070

(51) **LOC (7) Cl.** **23-01**

(52) **U.S. Cl.** **D23/252; D23/250**

(58) **Field of Search** **D23/238-257;**
D8/300-308, 350-354; 4/675-678; 137/801;
16/110 R-121

(56) **References Cited**

U.S. PATENT DOCUMENTS

D320,335 S * 10/1991 Bengtson D8/308

D348,509 S * 7/1994 Bollenbacher D23/254

D357,525 S * 4/1995 Fabian D23/252

D371,826 S * 7/1996 Robbins D23/252

D407,143 S * 3/1999 Hyde et al. D23/252

D407,466 S * 3/1999 Hundley et al. D23/252

* cited by examiner

Primary Examiner—Louis S. Zarfaz

Assistant Examiner—Gregory Andoll

(74) *Attorney, Agent, or Firm*—Herbert Dubno

(57) **CLAIM**

The ornamental design for a faucet handle lever assembly, as shown.

DESCRIPTION

FIG. 1 is a top, rear, left-side perspective view of a faucet handle lever assembly showing my new design;

FIG. 2 is a front elevational view thereof;

FIG. 3 is a rear elevational view thereof;

FIG. 4 is a top plan view thereof;

FIG. 5 is a left side elevational view thereof;

FIG. 6 is a bottom plan view thereof; and,

FIG. 7 is a right side elevational view thereof.

1 Claim, 3 Drawing Sheets

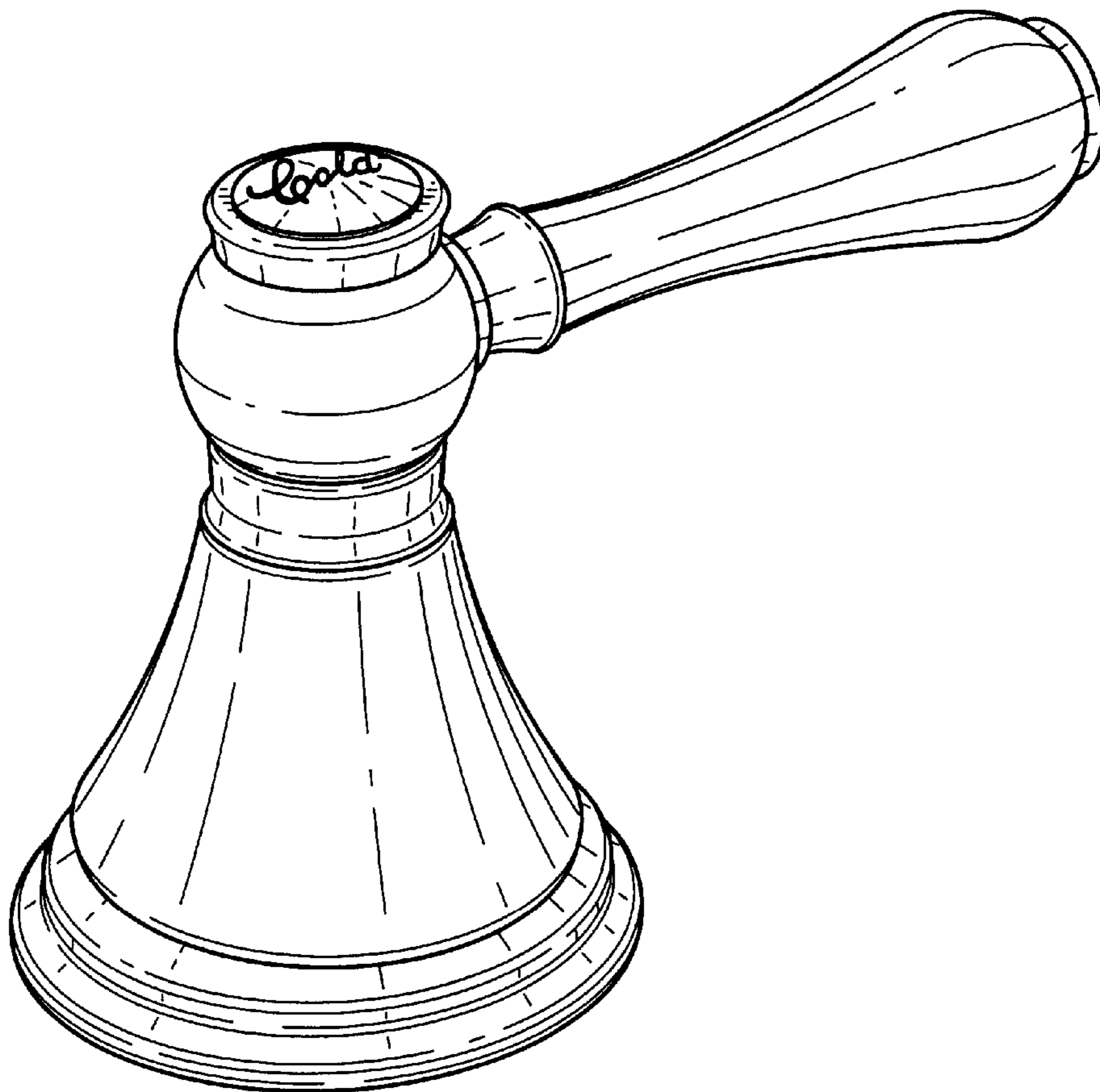


FIG. 1

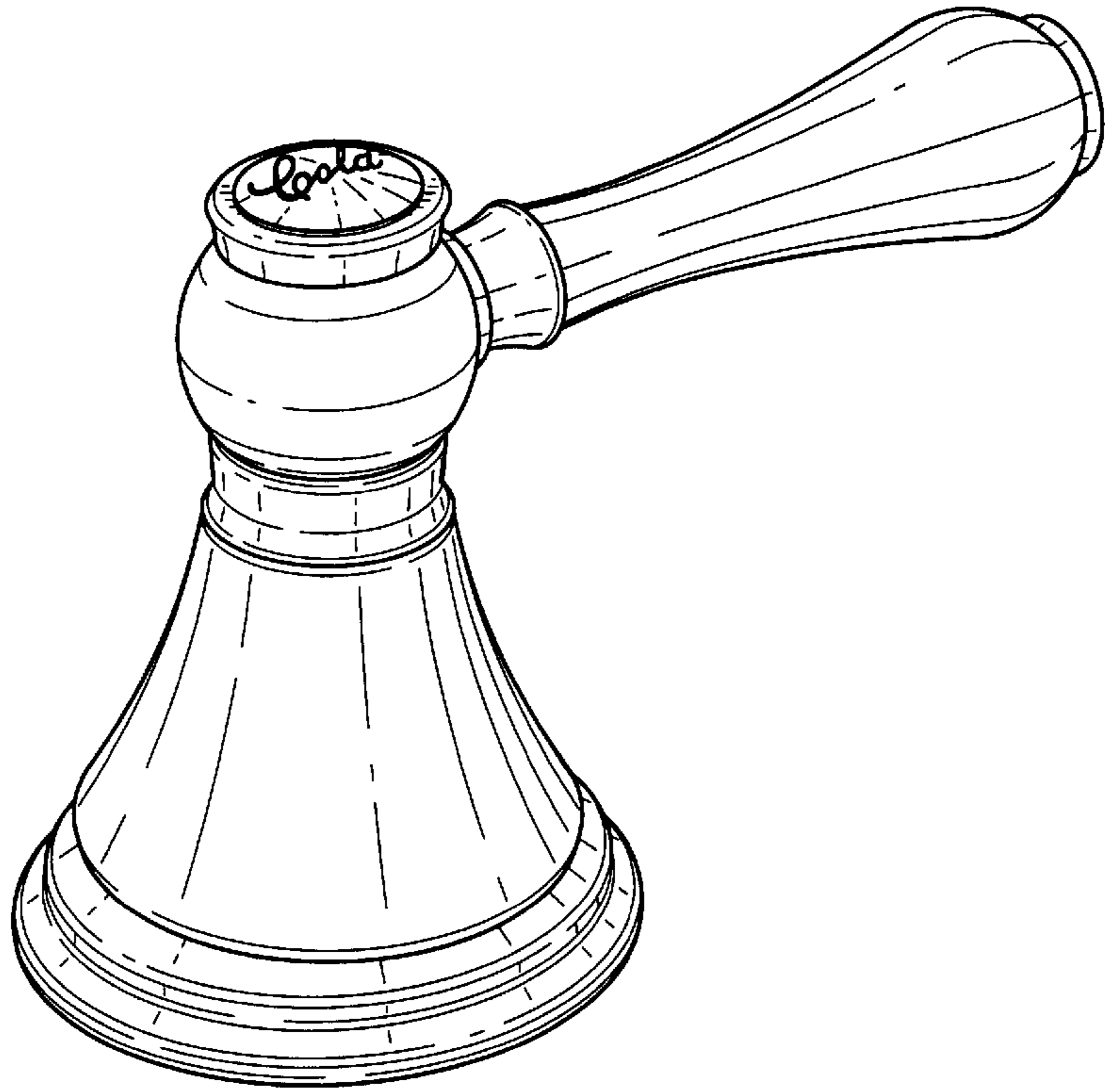


FIG. 2

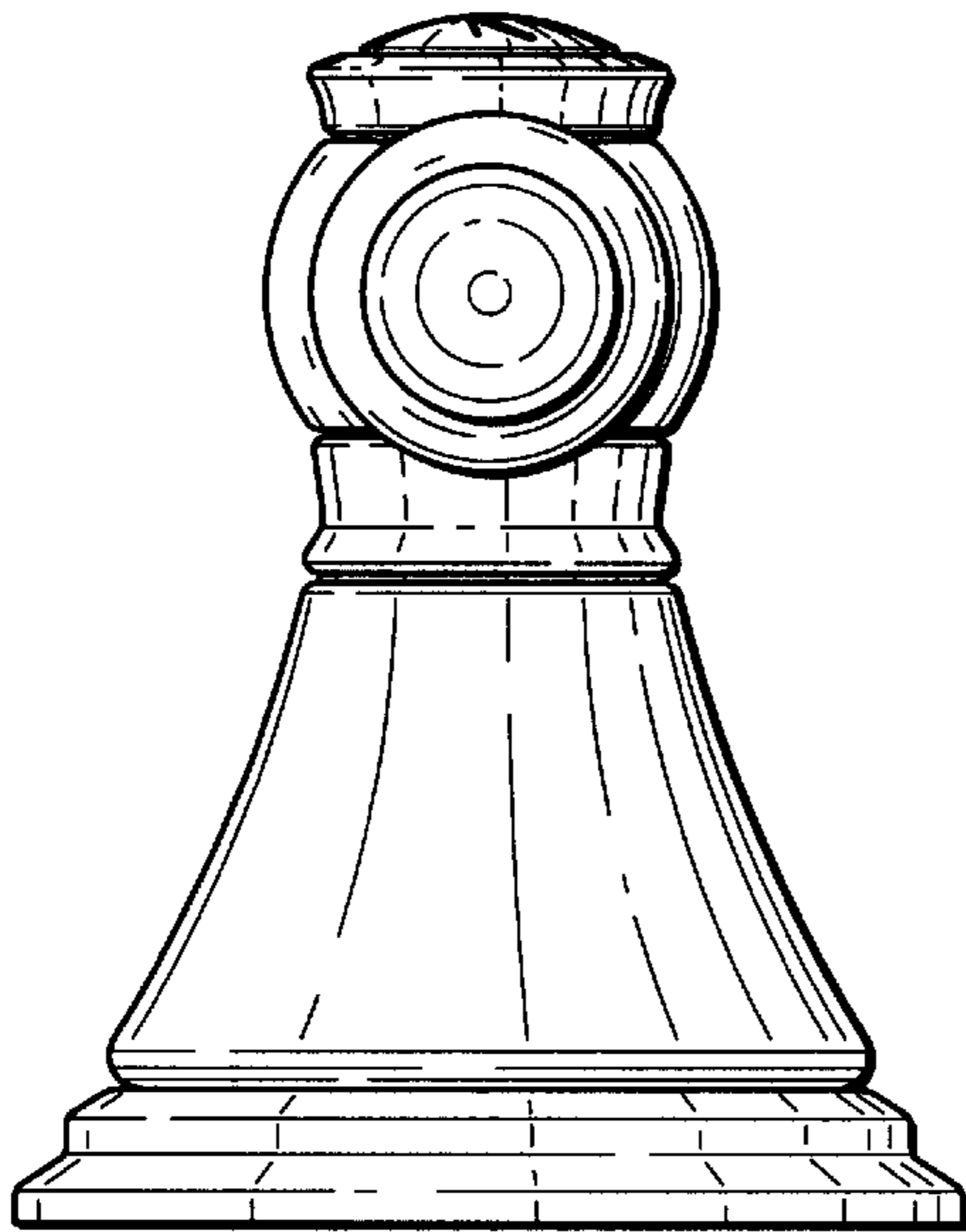


FIG. 3

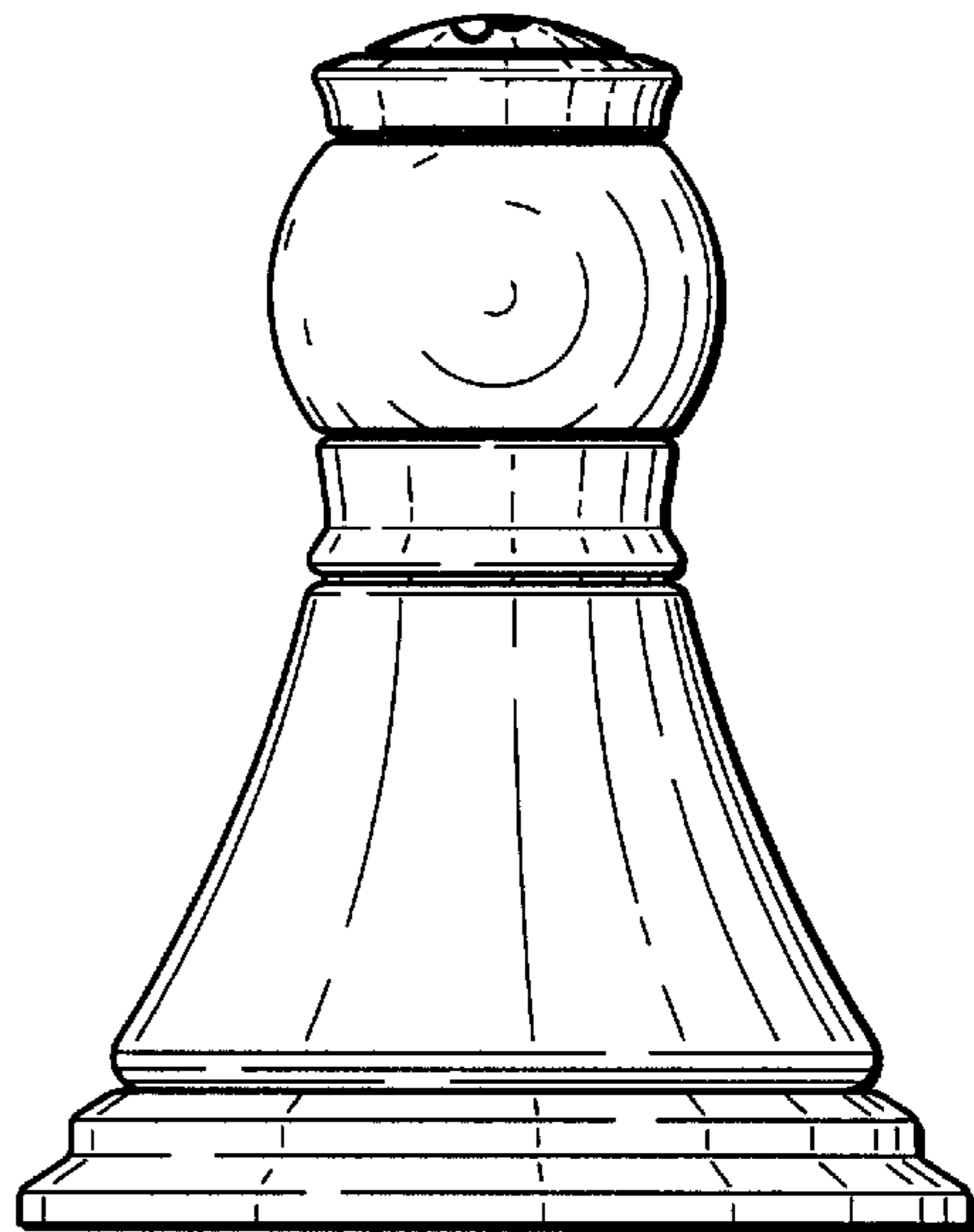


FIG. 4

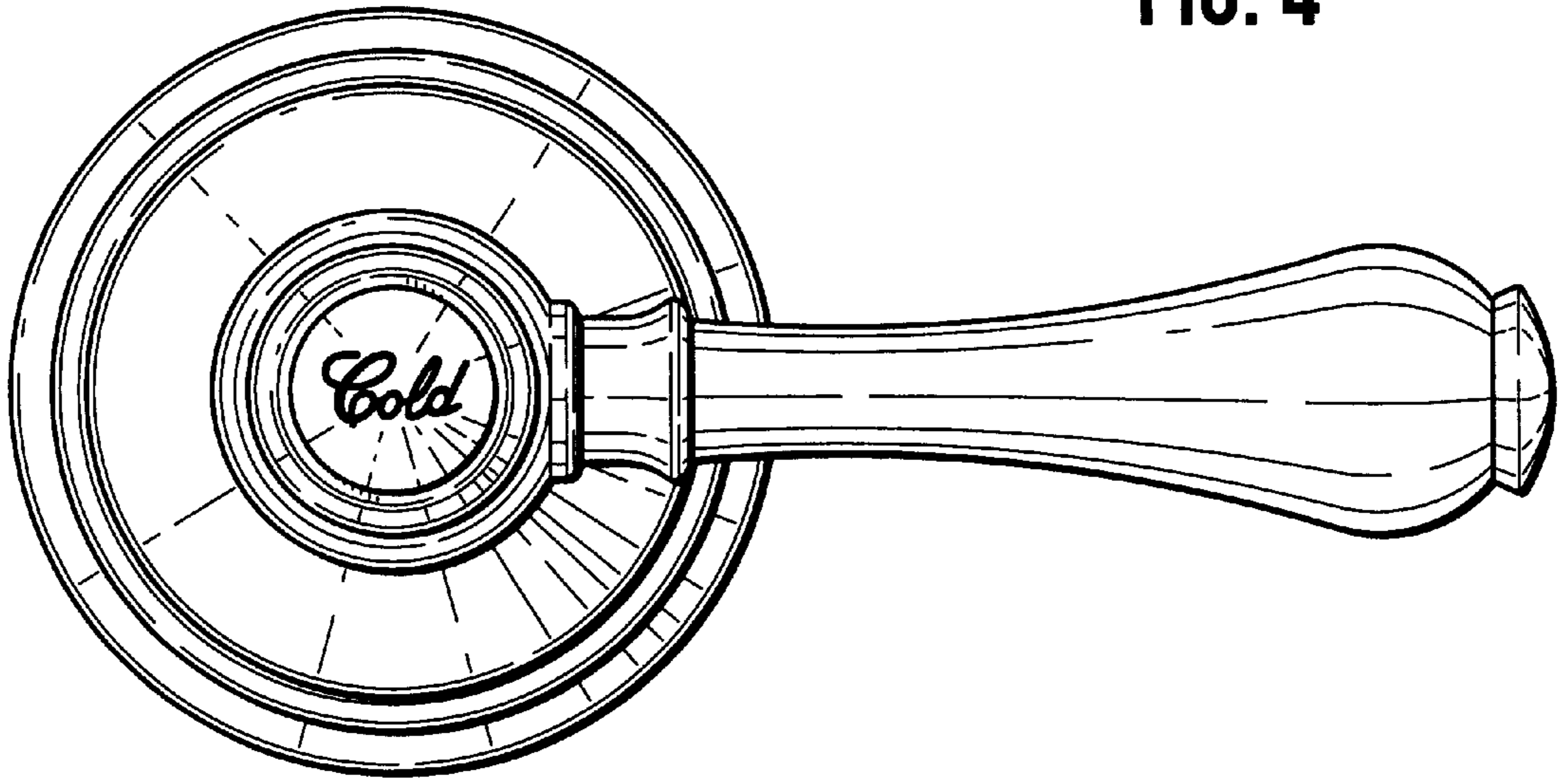


FIG. 5

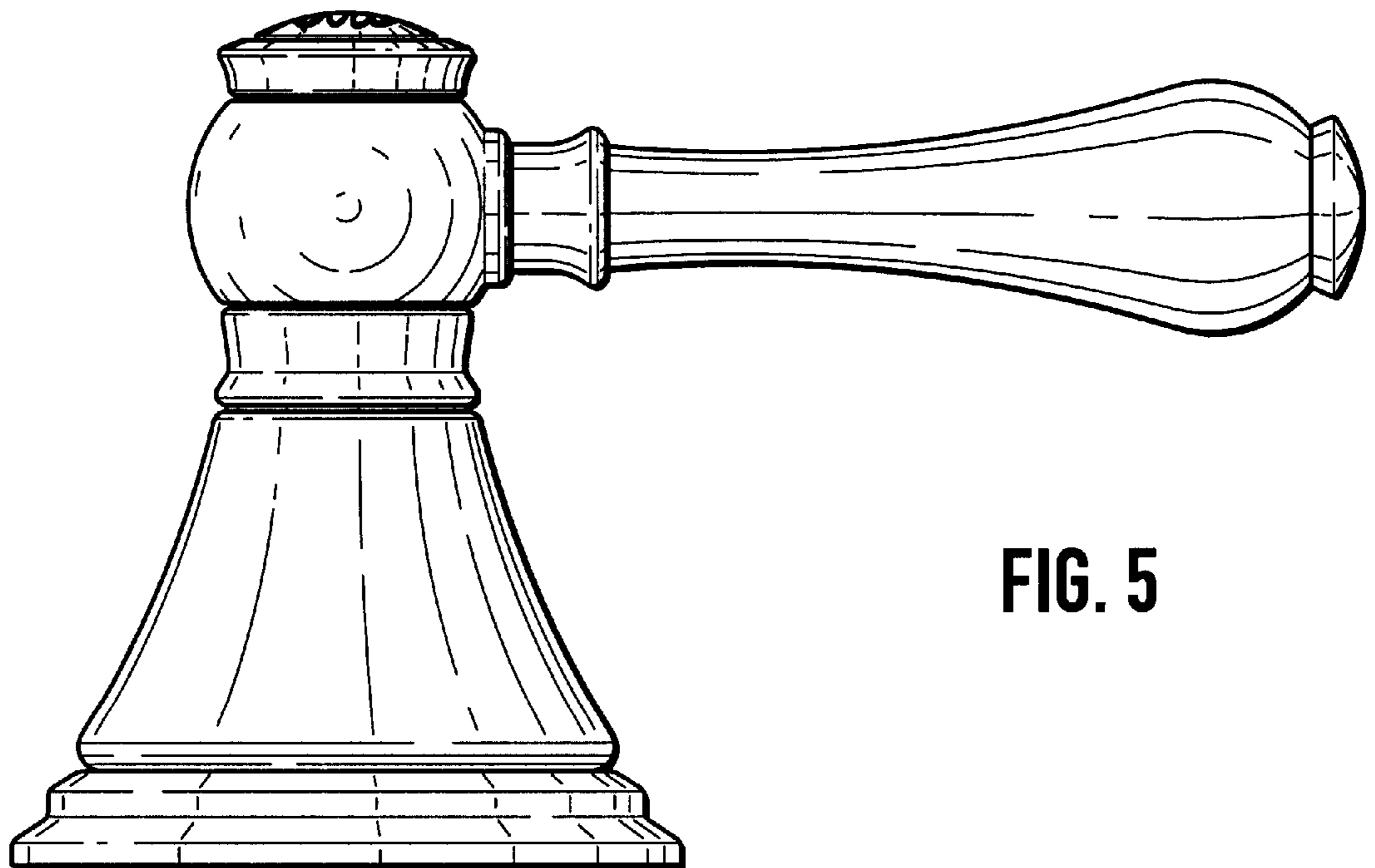


FIG. 6

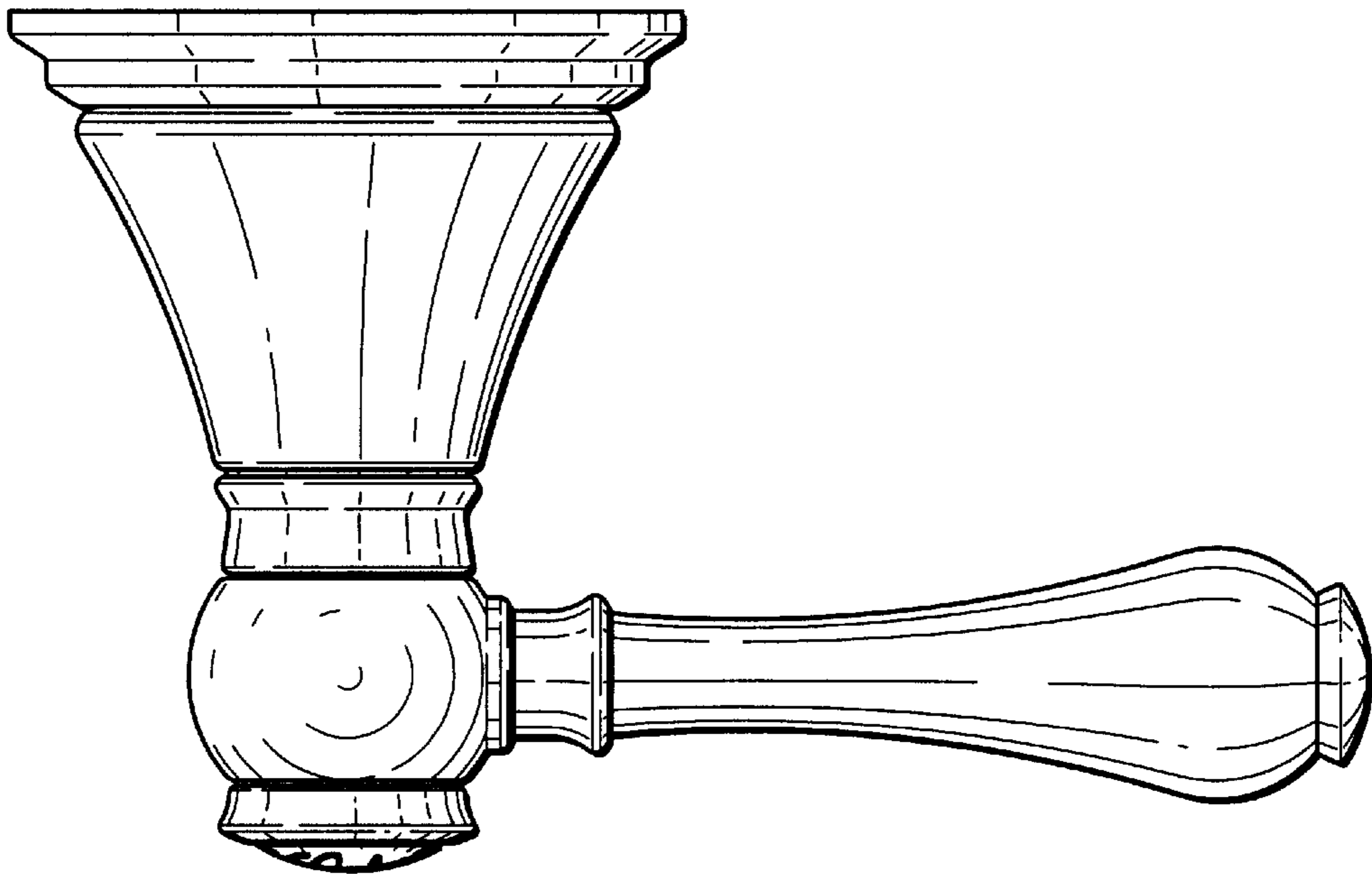
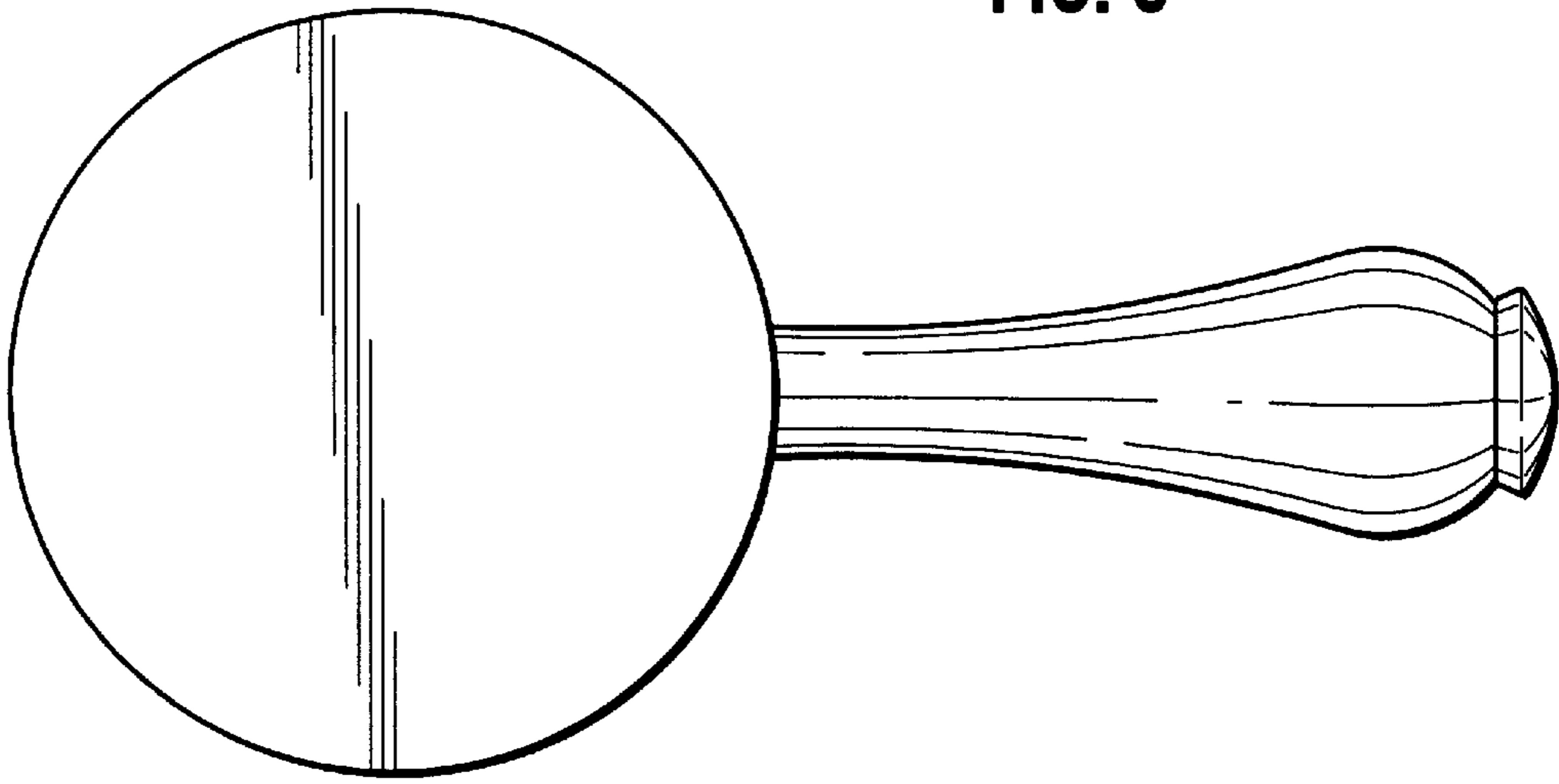


FIG. 7