



US00D458346S

(12) **United States Design Patent**
Müllenmeister

(10) **Patent No.:** **US D458,346 S**

(45) **Date of Patent:** **** Jun. 4, 2002**

(54) **FAUCET HANDLE LEVER ASSEMBLY**

(75) Inventor: **Daniel Müllenmeister**, Havixbeck (DE)

(73) Assignee: **Friedrich Grohe AG & Co. KG.**,
Hemer (DE)

(**) Term: **14 Years**

(21) Appl. No.: **29/145,517**

(22) Filed: **Jul. 24, 2001**

(30) **Foreign Application Priority Data**

Feb. 28, 2001 (DE) 401 02 070

(51) **LOC (7) Cl.** **23-01**

(52) **U.S. Cl.** **D23/252; D23/250**

(58) **Field of Search** **D23/238-257;**
D8/300-308, 350-354; 4/675-678; 137/801;
16/110 R-121

(56) **References Cited**

U.S. PATENT DOCUMENTS

D320,335 S * 10/1991 Bengtson D8/308

D348,509 S * 7/1994 Bollenbacher D23/254
D357,525 S * 4/1995 Fabian D23/252
D402,005 S * 12/1998 Ko D23/252
D430,924 S * 9/2000 Wei et al. D23/252

* cited by examiner

Primary Examiner—Louis S. Zarfaz

Assistant Examiner—Gregory Andoll

(74) *Attorney, Agent, or Firm*—Herbert Dubno

(57) **CLAIM**

The ornamental design for a faucet handle lever assembly, as shown.

DESCRIPTION

FIG. 1 is a top, rear, left-side perspective view of a faucet handle lever assembly showing my new design; FIG. 2 is a front elevational view thereof; FIG. 3 is a rear elevational view thereof; FIG. 4 is a top plan view thereof; FIG. 5 is a left side elevational view thereof, the right side elevational view being mirror symmetrical thereto; and, FIG. 6 is a bottom plan view thereof.

1 Claim, 2 Drawing Sheets

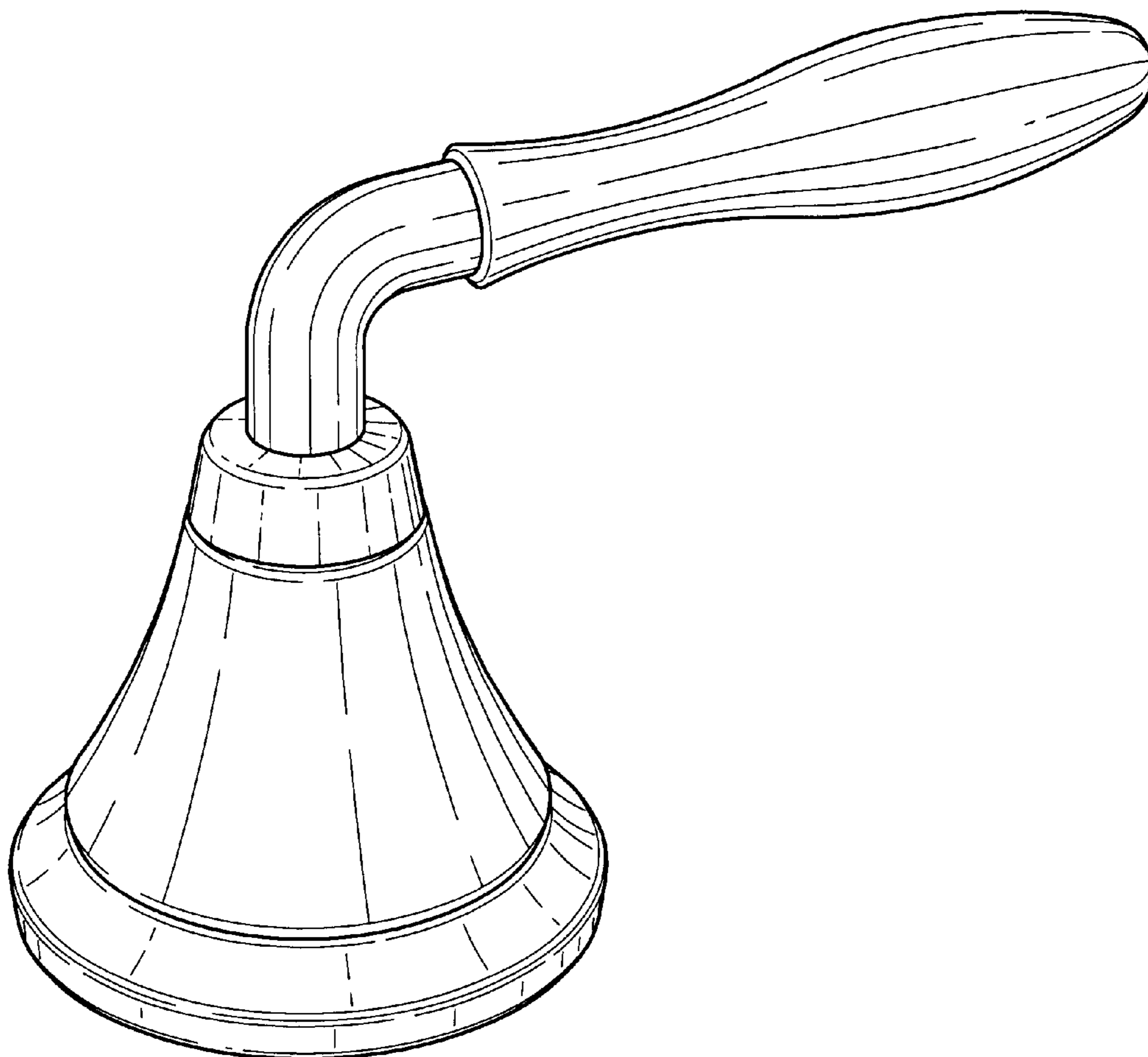


FIG. 1

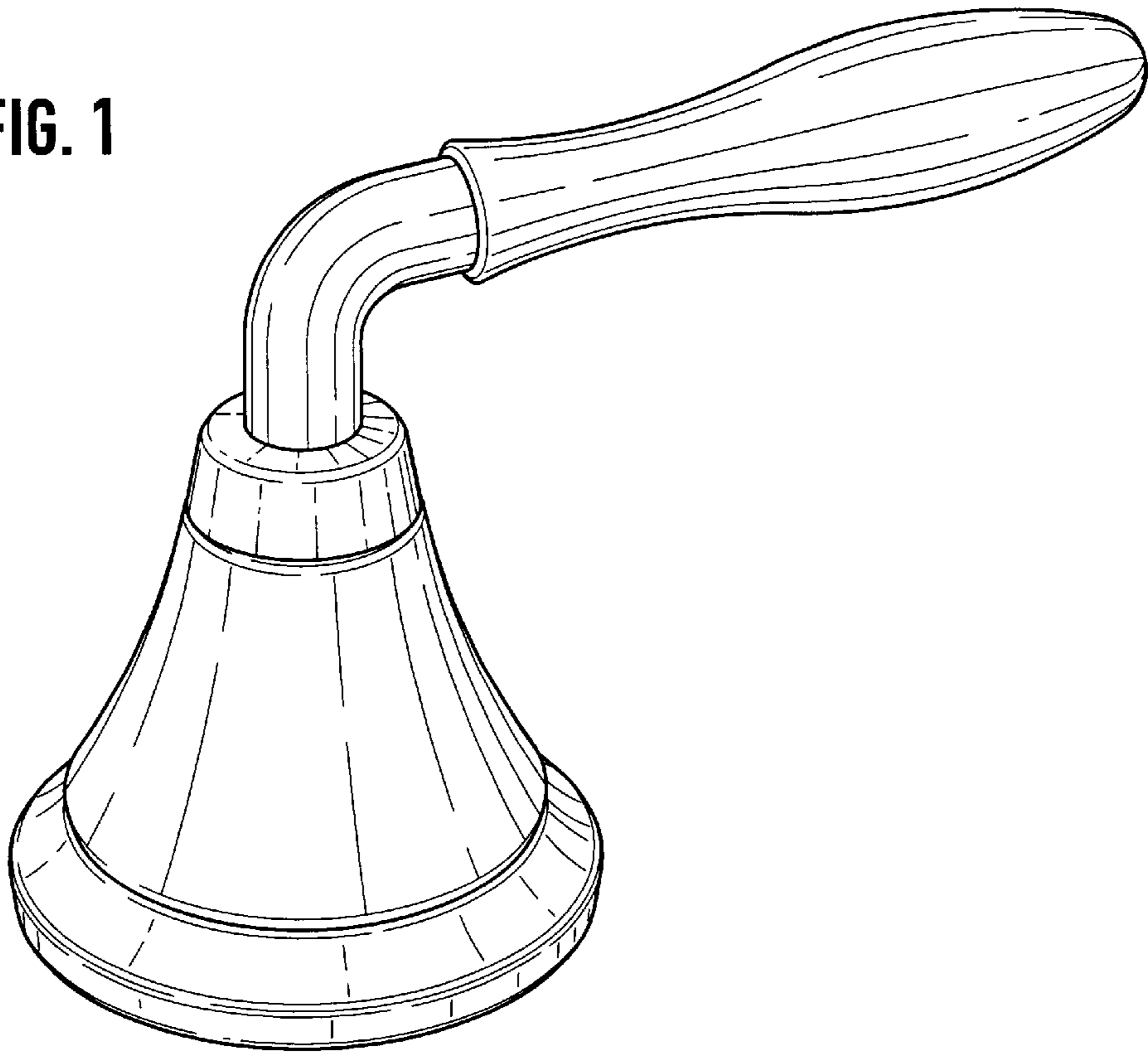


FIG. 2

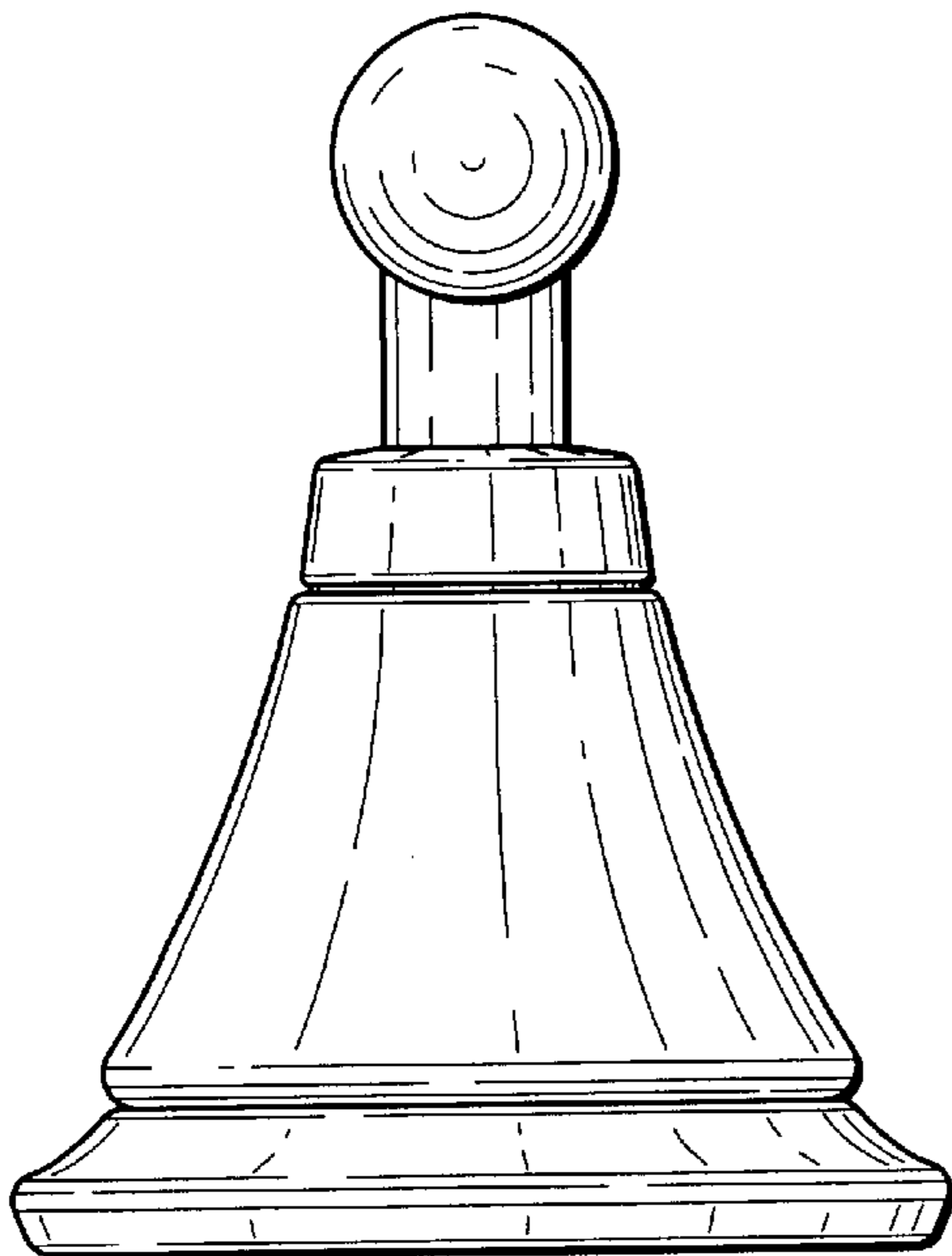


FIG. 3

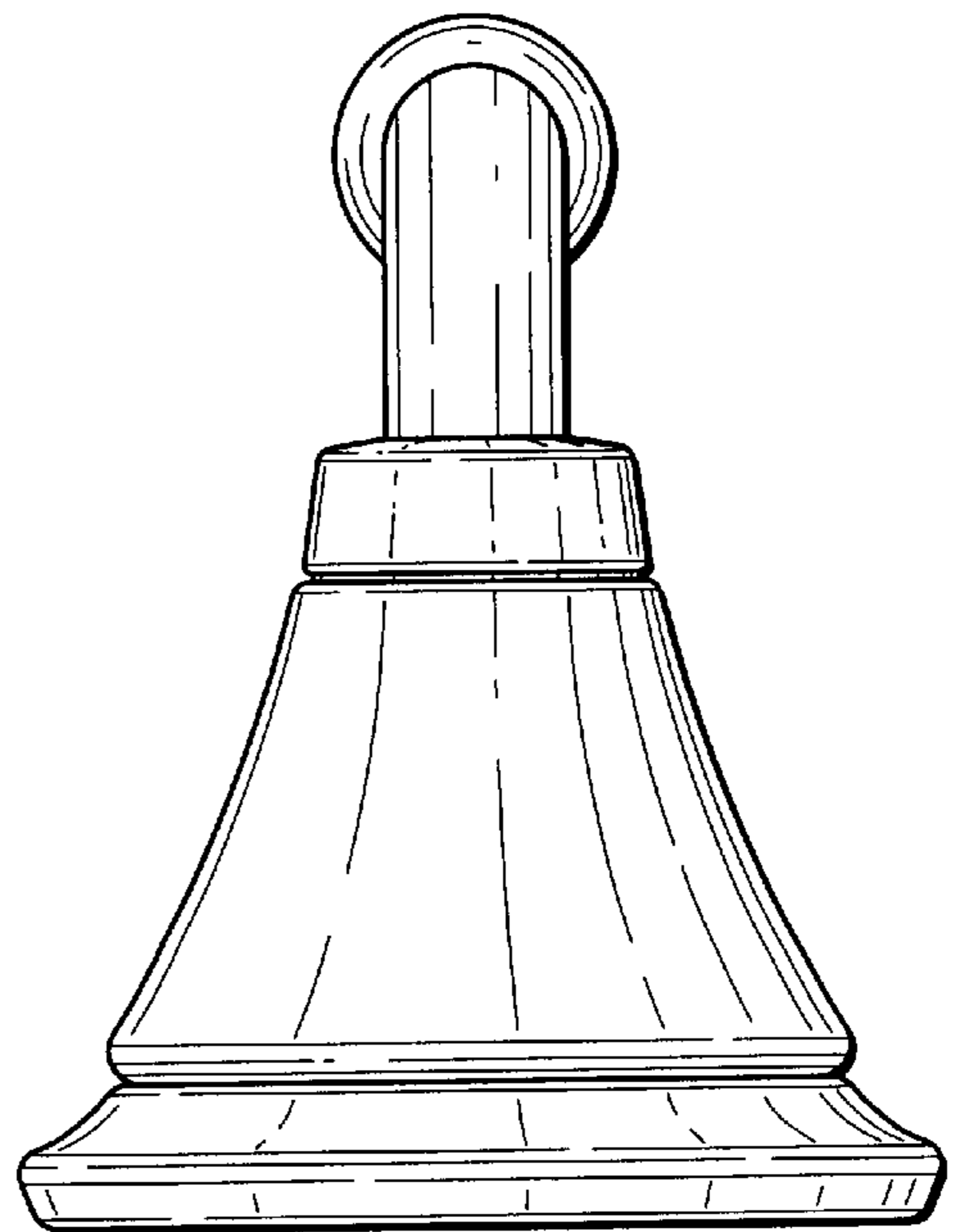


FIG. 4

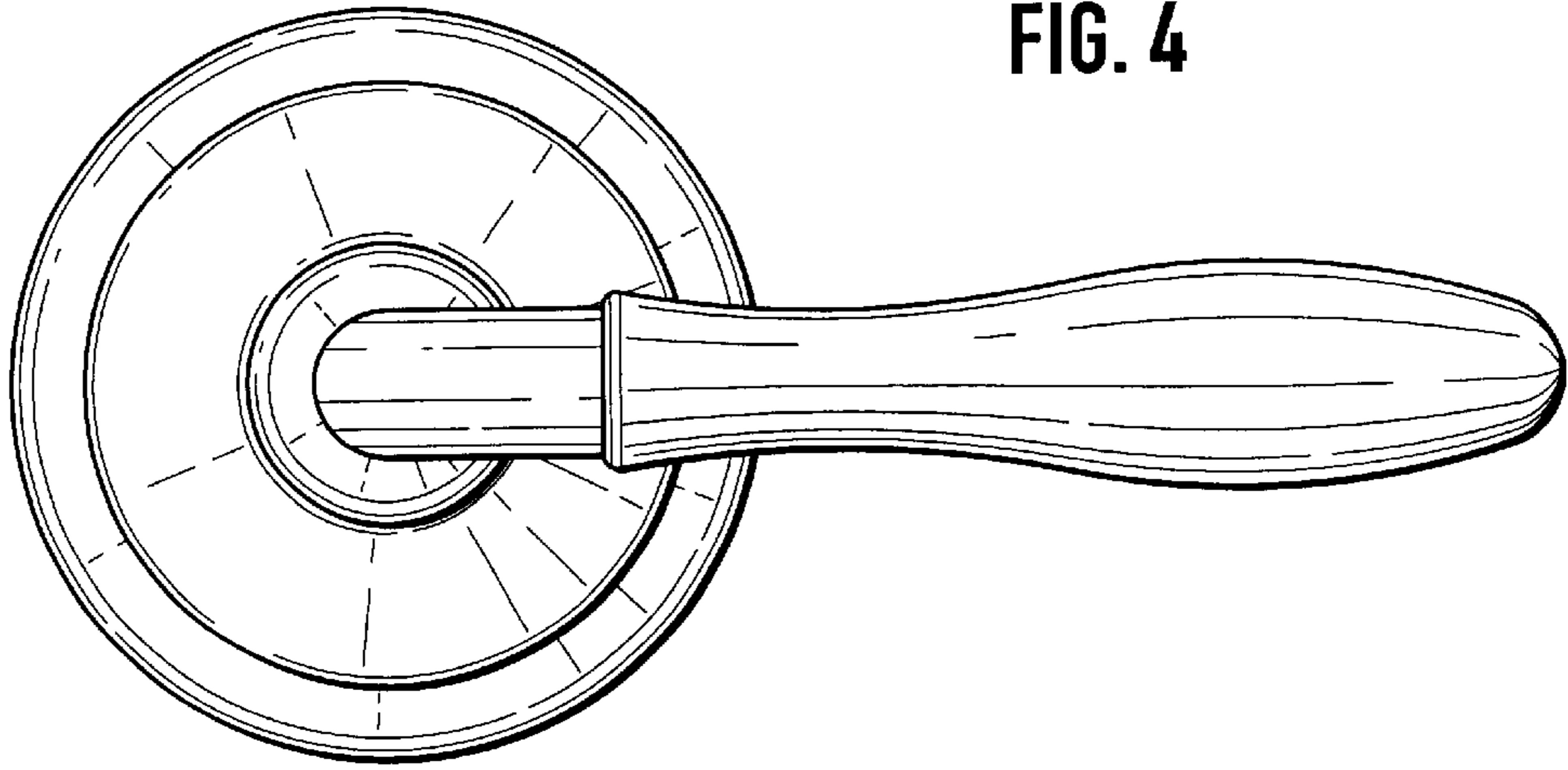


FIG. 5

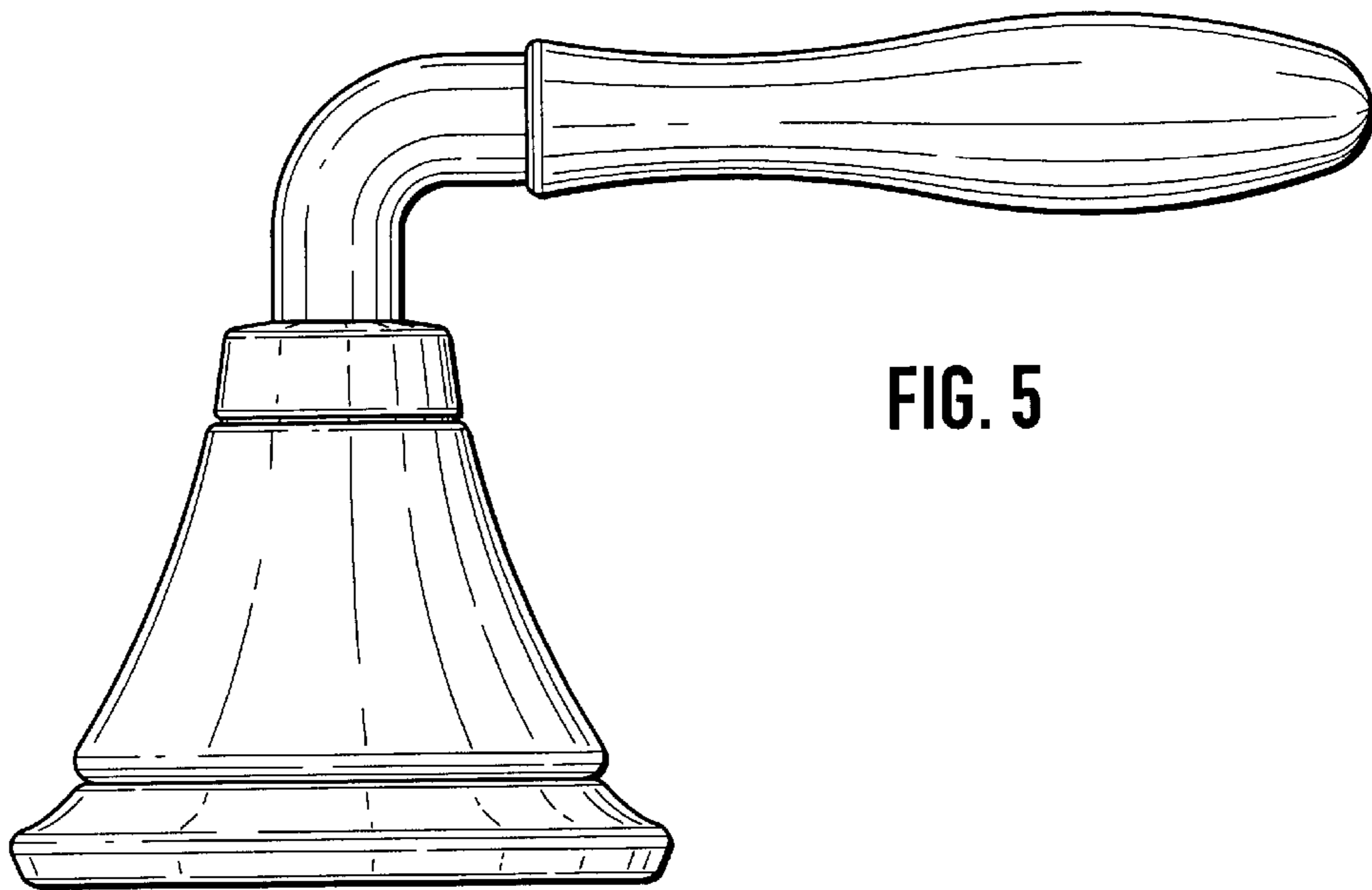


FIG. 6

