



US00D458343S

(12) **United States Design Patent**
Chen

(10) **Patent No.:** **US D458,343 S**

(45) **Date of Patent:** **** Jun. 4, 2002**

(54) **WATER SPRAYER**

D393,048 S * 3/1998 Hearvey D23/213
D437,385 S * 2/2001 Chao D23/213

(75) Inventor: **Chin-Yuan Chen**, Chang-Hua Hsien (TW)

* cited by examiner

(73) Assignee: **Shin Tai Spurt Water of the Garden Tools Co.,Ltd.**, Chang-Hua Hsien (TW)

Primary Examiner—Robin V. Taylor
(74) *Attorney, Agent, or Firm*—Harrison & Egbert

(**) Term: **14 Years**

(57) **CLAIM**

(21) Appl. No.: **29/144,240**

I claim the ornamental design for a water sprayer, as shown and described.

(22) Filed: **Jun. 28, 2001**

DESCRIPTION

(51) **LOC (7) Cl.** **23-01**

FIG. 1 is an upper perspective view of the water sprayer showing my design.

(52) **U.S. Cl.** **D23/213**

FIG. 2 is a front view thereof;

(58) **Field of Search** D23/213, 223, D23/226; 239/458, 459

FIG. 3 is a back view thereof;

FIG. 4 is a side view thereof;

FIG. 5 is an opposite side view thereof;

FIG. 6 is a top view thereof;

FIG. 7 is a bottom view thereof; and,

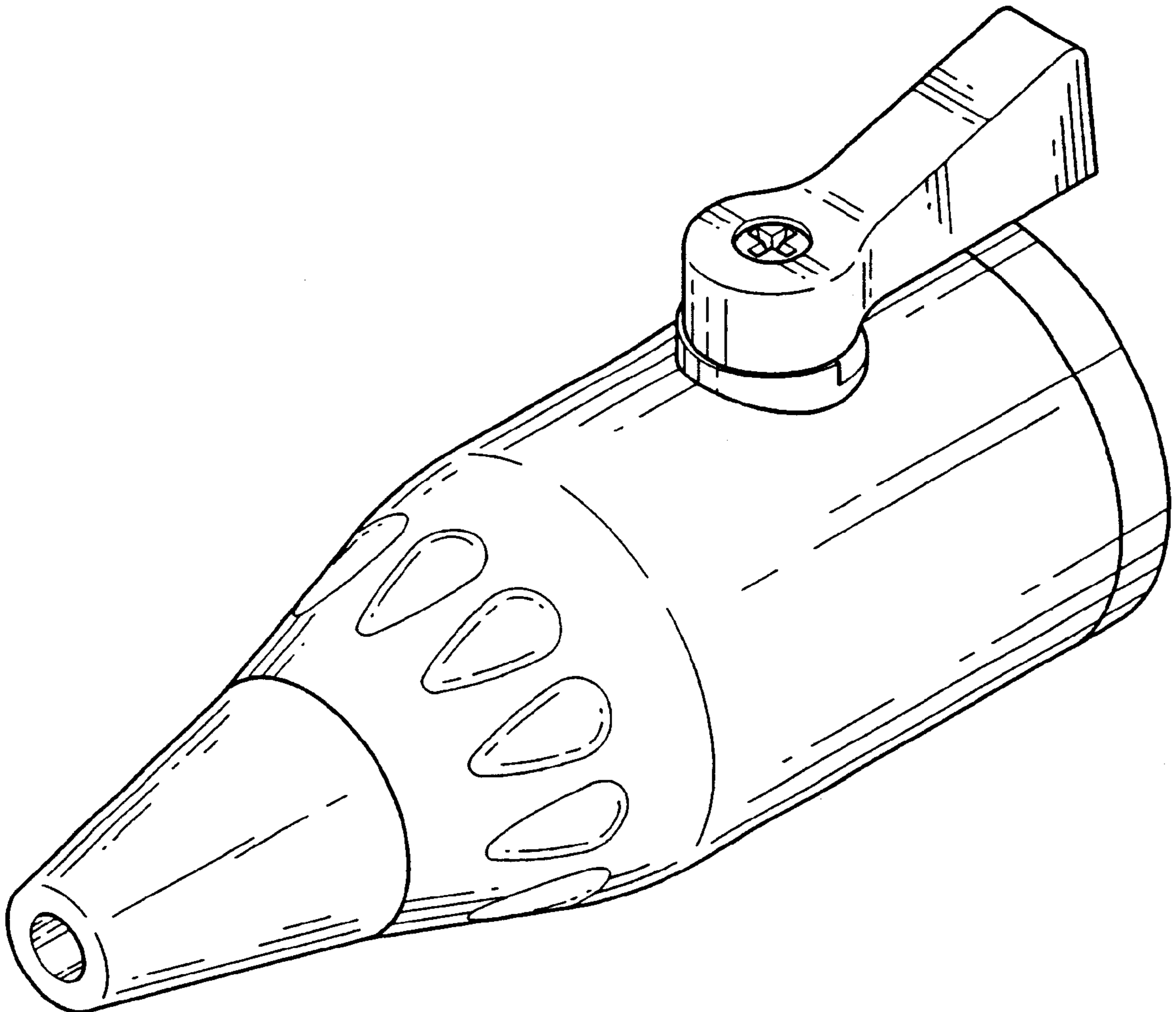
FIG. 8 is an upper perspective view thereof with the knob turned.

(56) **References Cited**

U.S. PATENT DOCUMENTS

2,684,268 A * 7/1954 Hjulian 239/458
3,102,691 A * 9/1963 Gall 239/458
D382,937 S * 8/1997 Shfaram D23/223

1 Claim, 5 Drawing Sheets



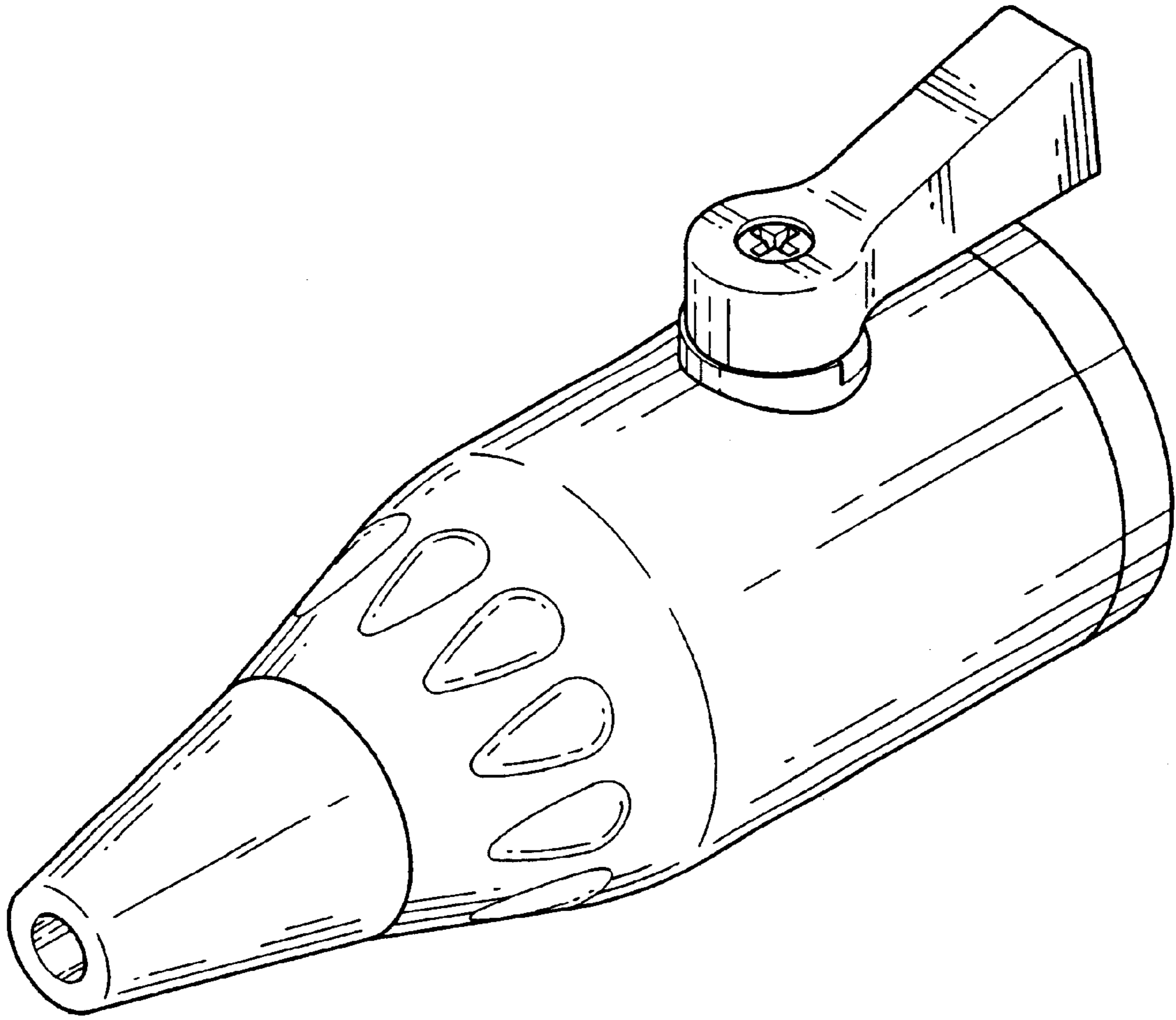


FIG. 1

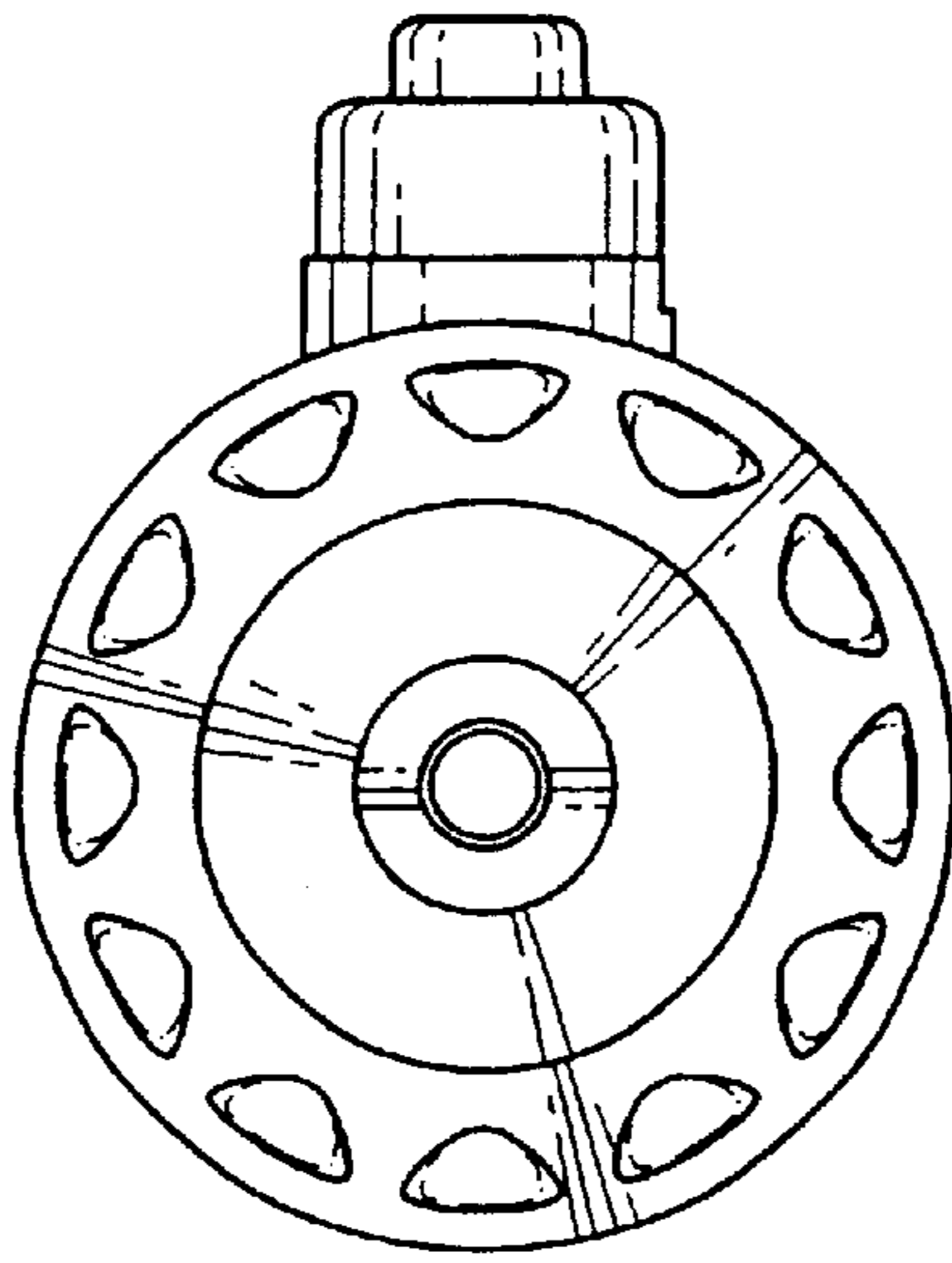


FIG. 2

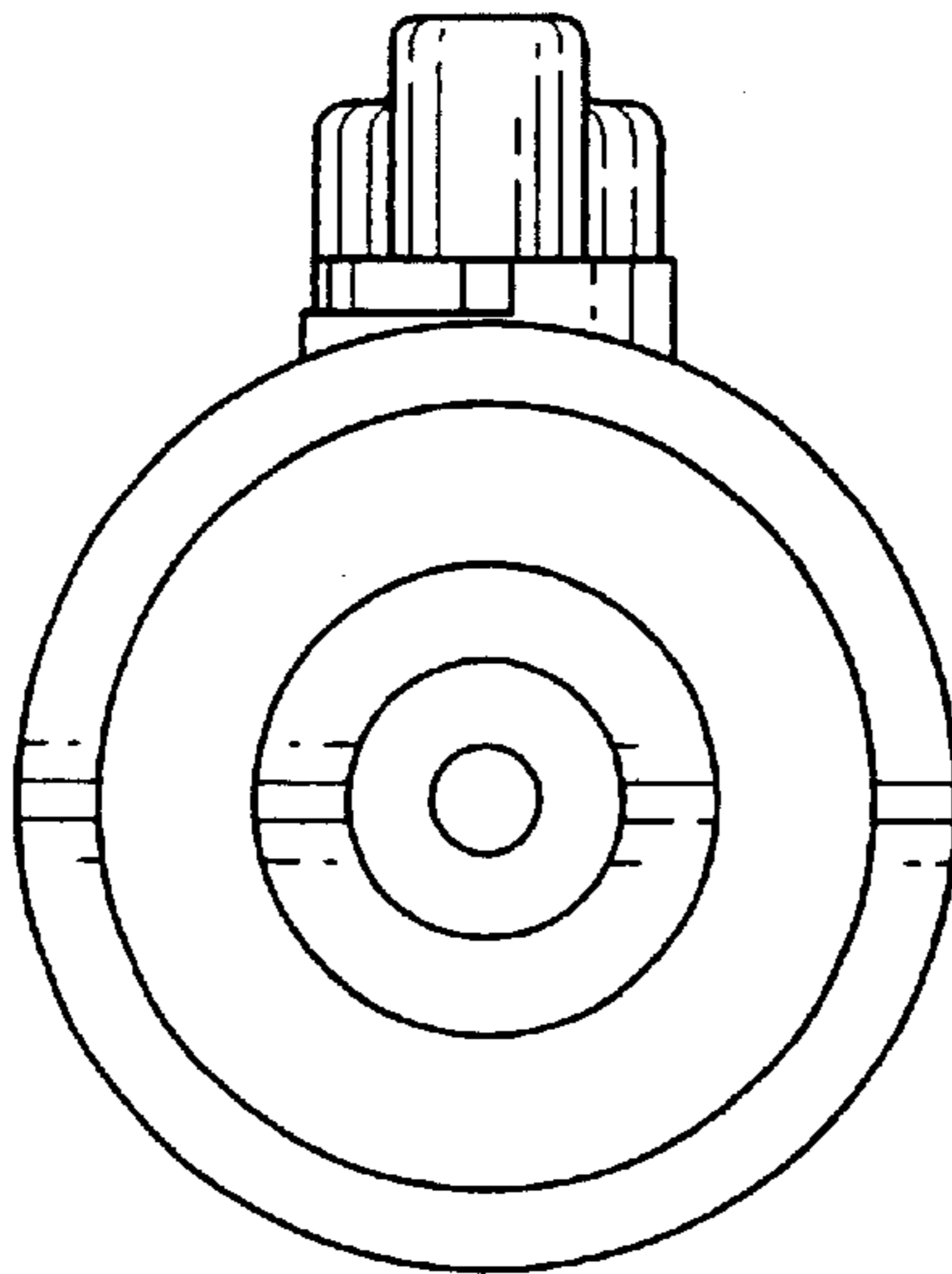


FIG. 3

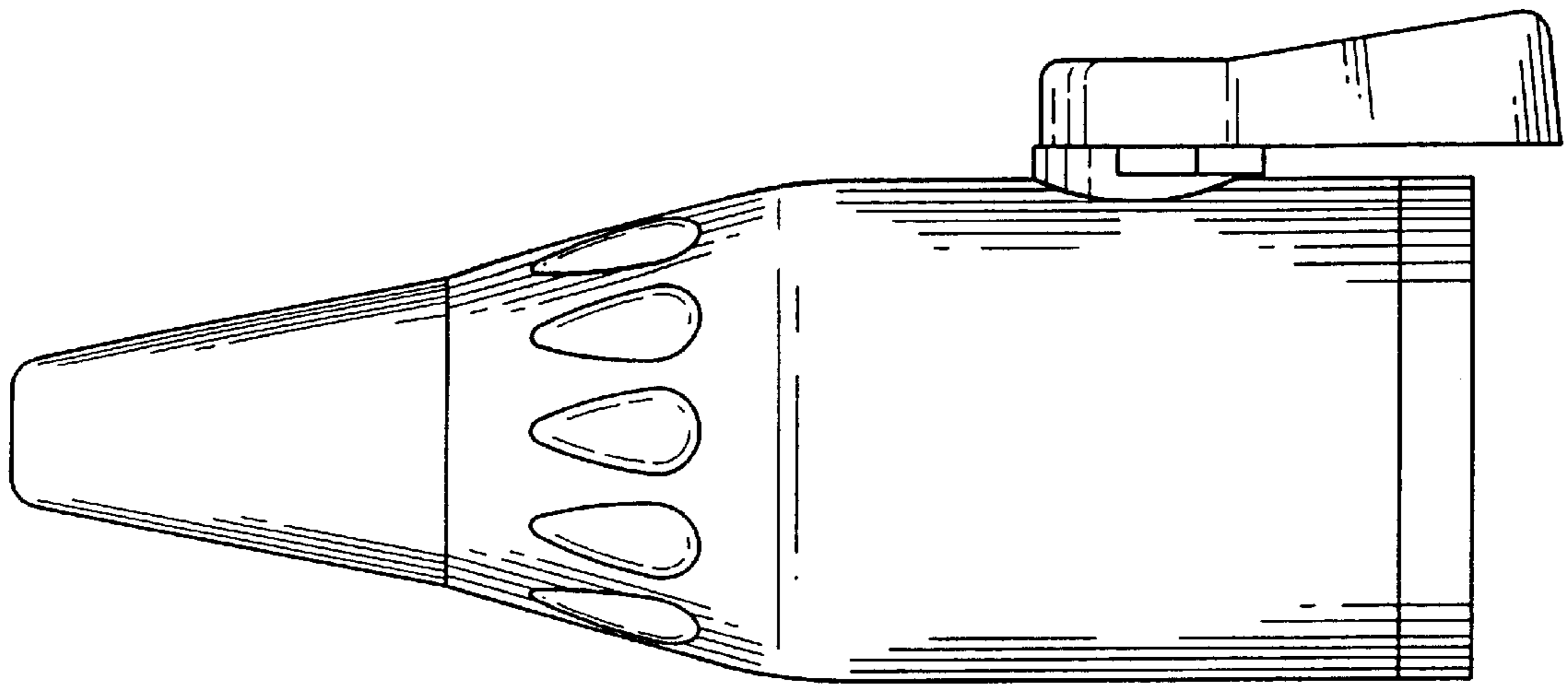


FIG. 4

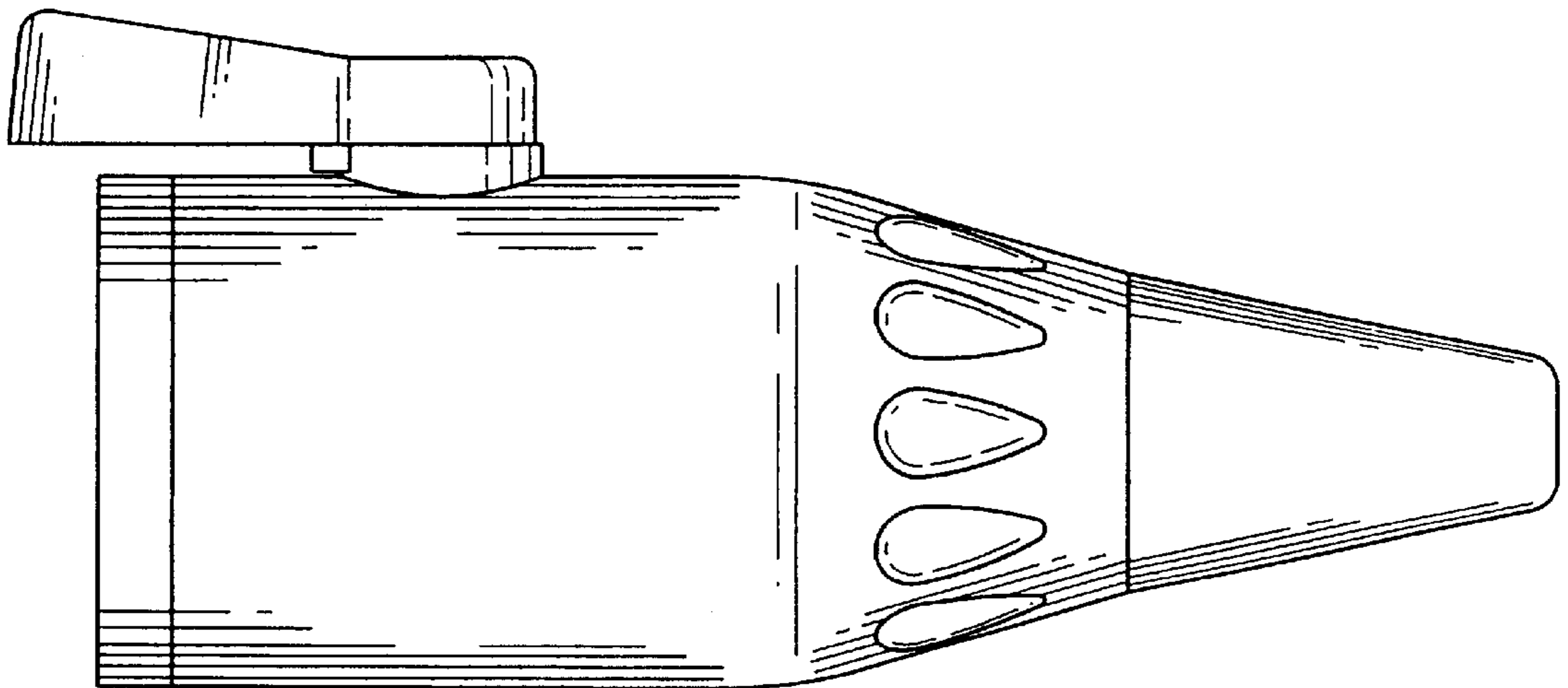


FIG. 5

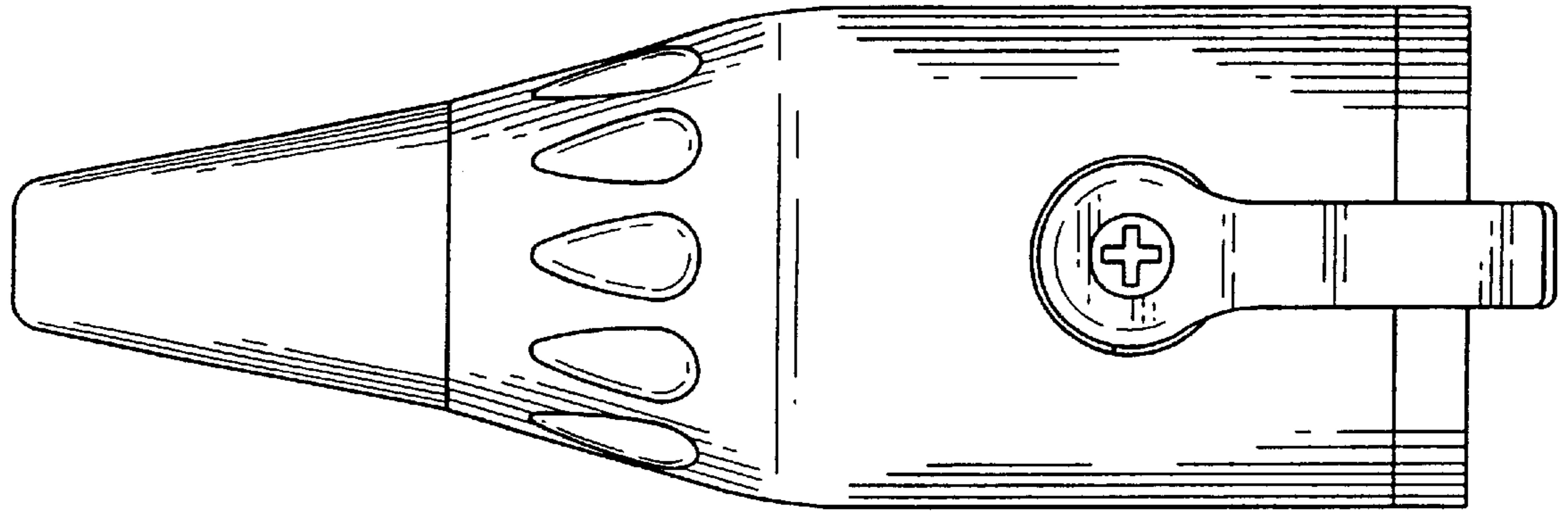


FIG. 6

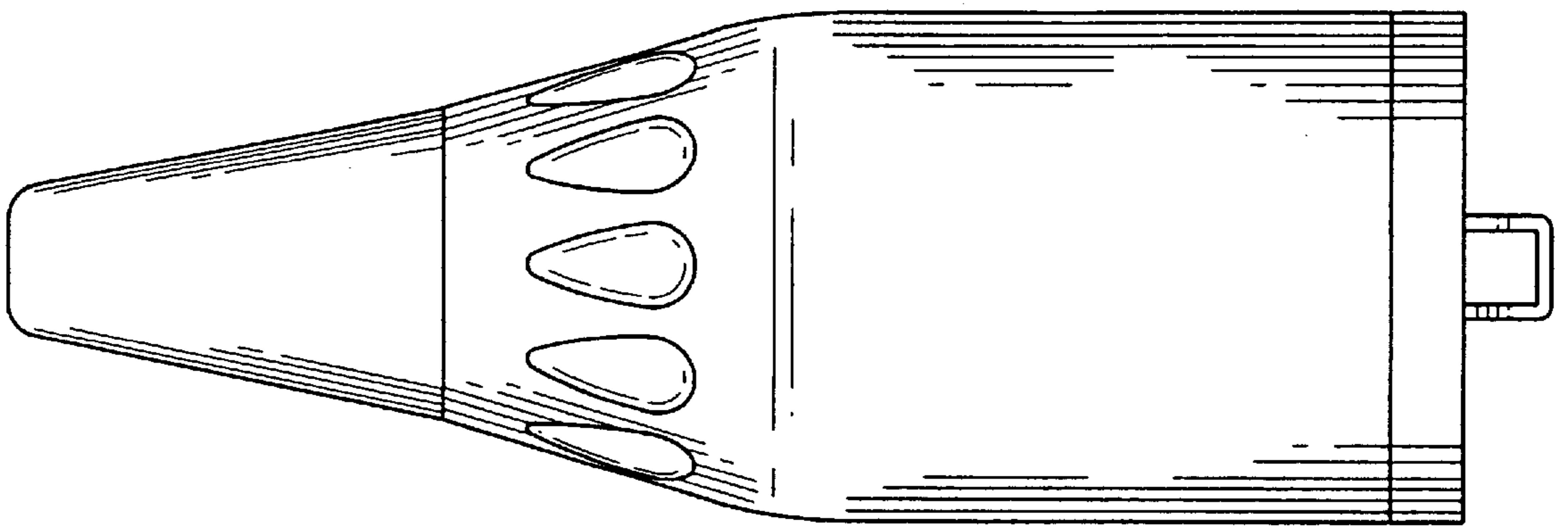


FIG. 7

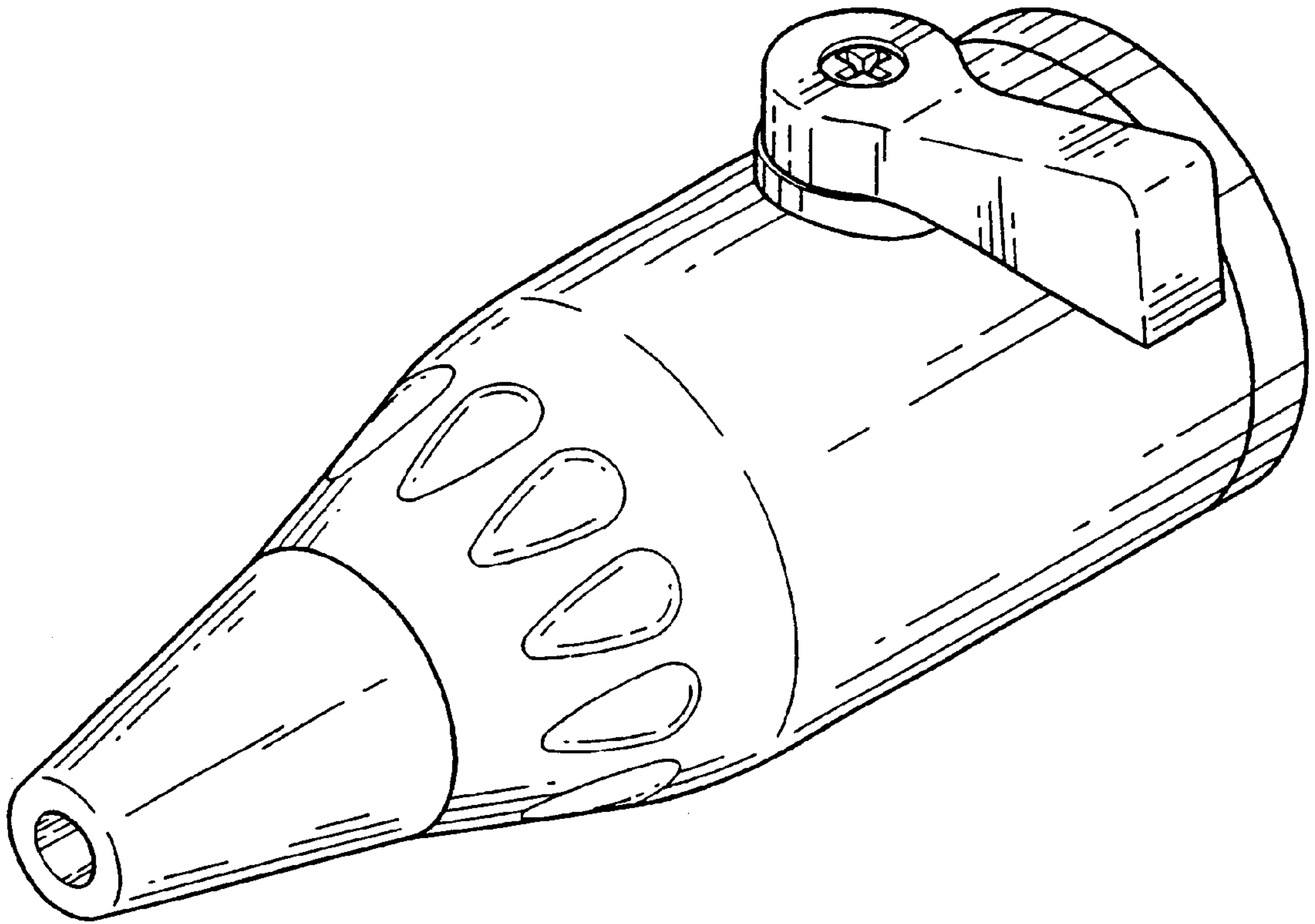


FIG. 8