



US00D458341S

(12) **United States Design Patent**
Pratt

(10) **Patent No.:** **US D458,341 S**

(45) **Date of Patent:** **** Jun. 4, 2002**

(54) **RIBBED FILTER**

D305,934 S * 2/1990 Sone D23/209

(76) Inventor: **David W. Pratt**, 13512 Feather Sound
Cir. West, Clearwater, FL (US) 33760

* cited by examiner

(**) Term: **14 Years**

Primary Examiner—Robin V. Taylor
(74) *Attorney, Agent, or Firm*—Ronald E. Smith; Smith &
Hopen, P.A.

(21) Appl. No.: **29/139,854**

(57) **CLAIM**

(22) Filed: **Apr. 6, 2001**

The ornamental design for a ribbed filter, as substantially
shown and described.

(51) **LOC (7) Cl.** **23-01**

(52) **U.S. Cl.** **D23/209**

(58) **Field of Search** D23/207, 209;
210/446, 447

DESCRIPTION

FIG. 1 is a first side elevational view of the novel ribbed
filter;

FIG. 2 is a second side elevational view thereof;

FIG. 3 is a top plan view thereof; and,

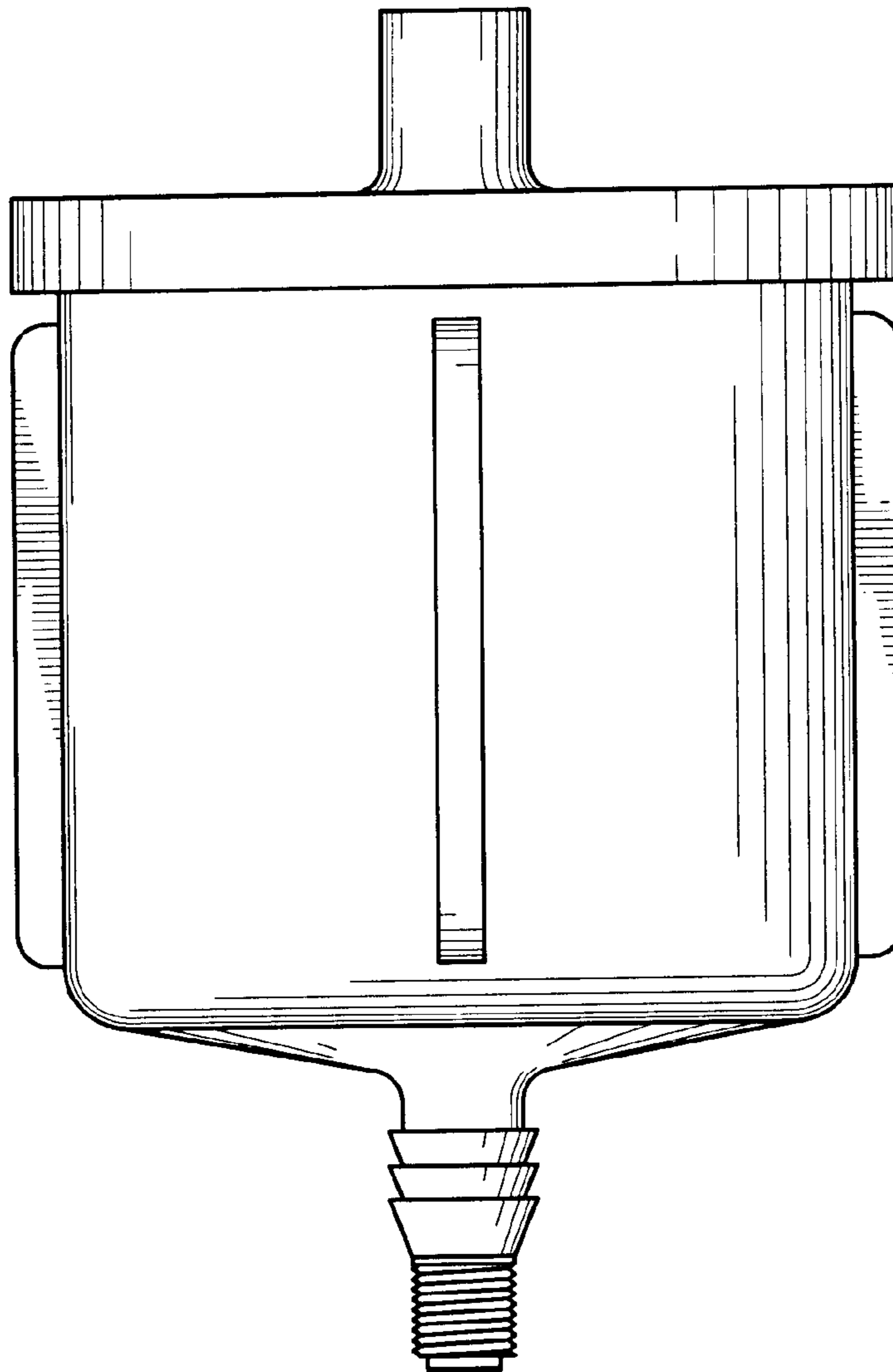
FIG. 4 is a bottom plan view thereof.

(56) **References Cited**

U.S. PATENT DOCUMENTS

3,760,951 A * 9/1973 Mansfield 210/447
3,954,625 A * 5/1976 Michalski 210/446

1 Claim, 2 Drawing Sheets



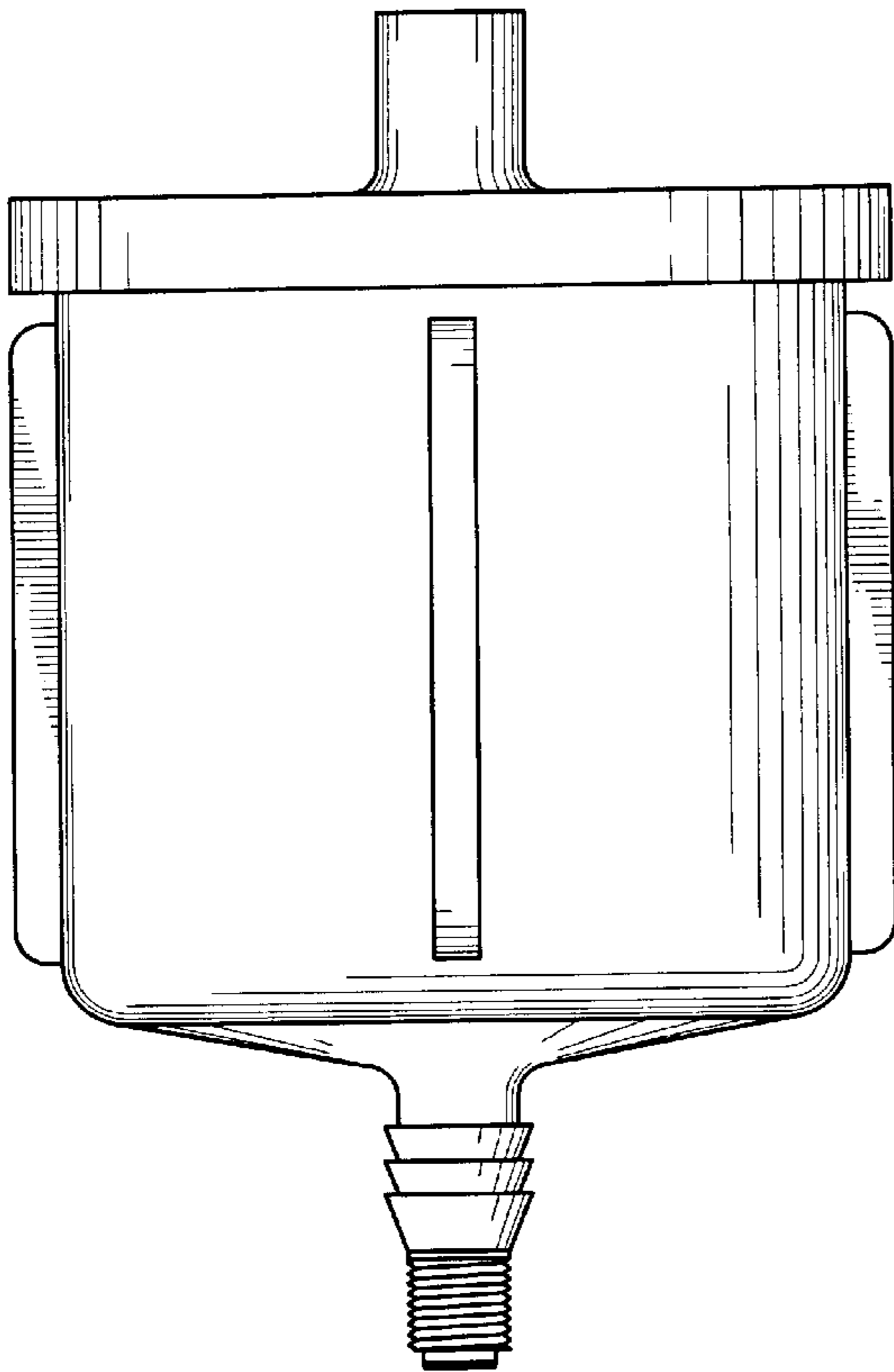


Fig. 1

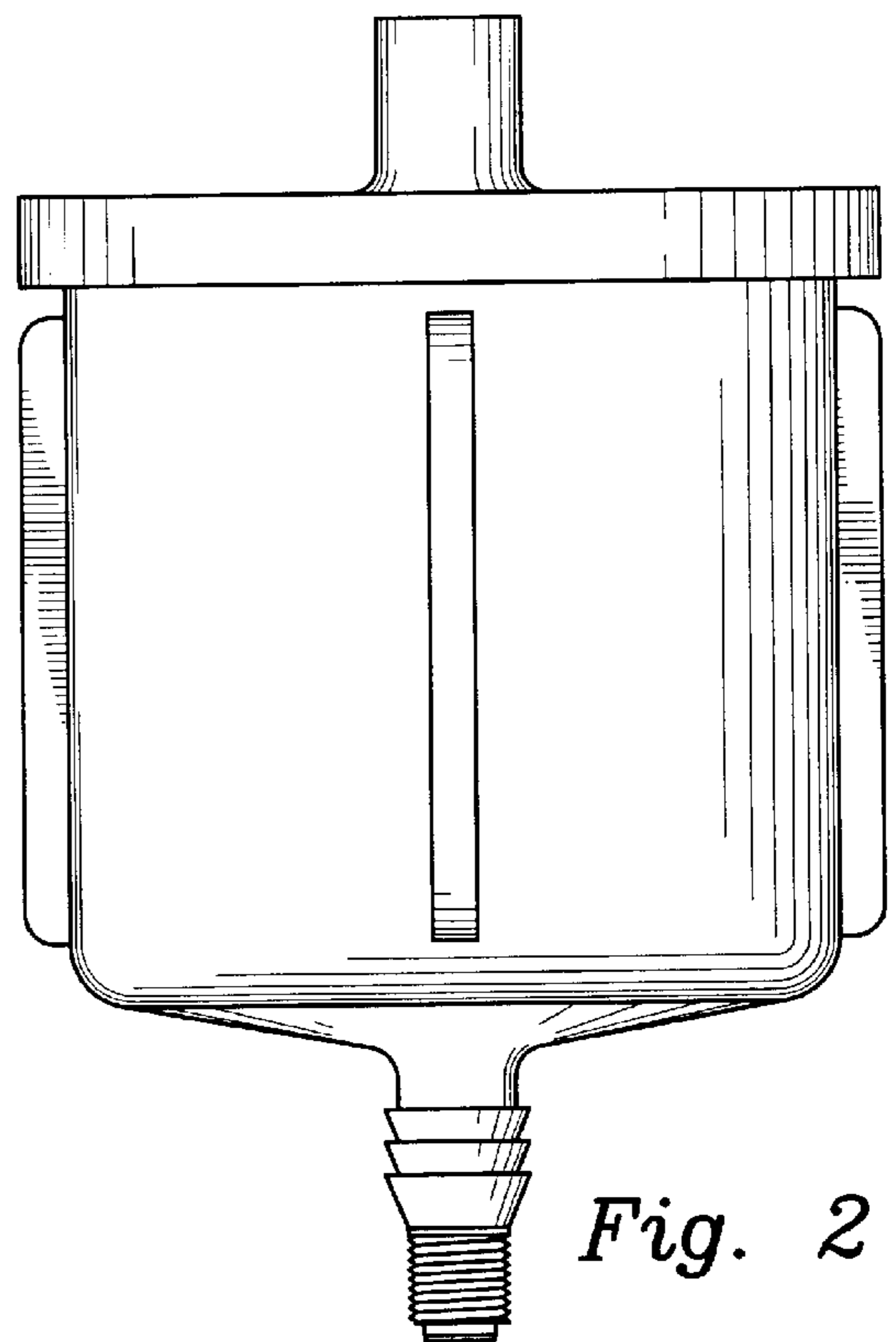


Fig. 2

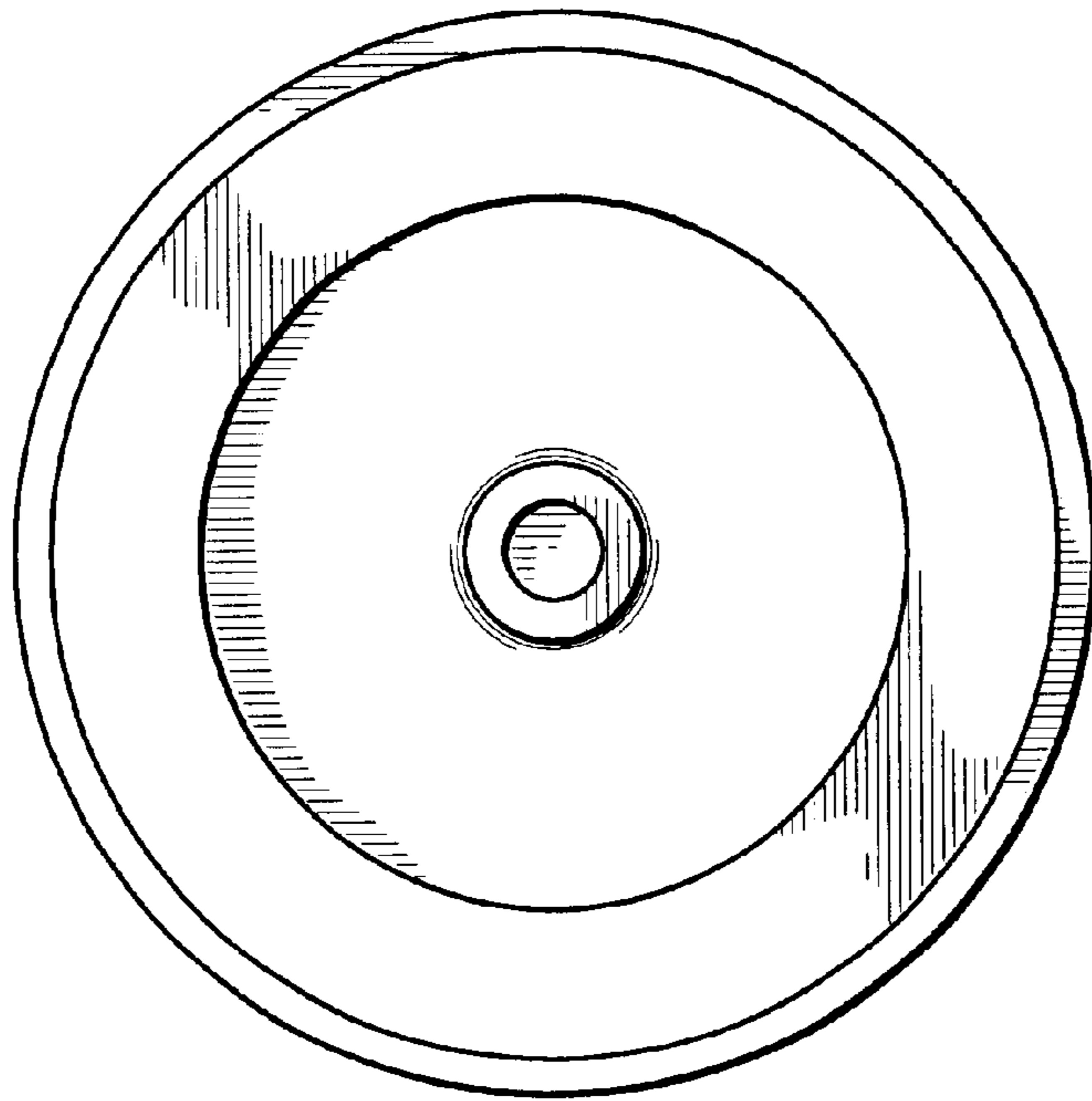


Fig. 3

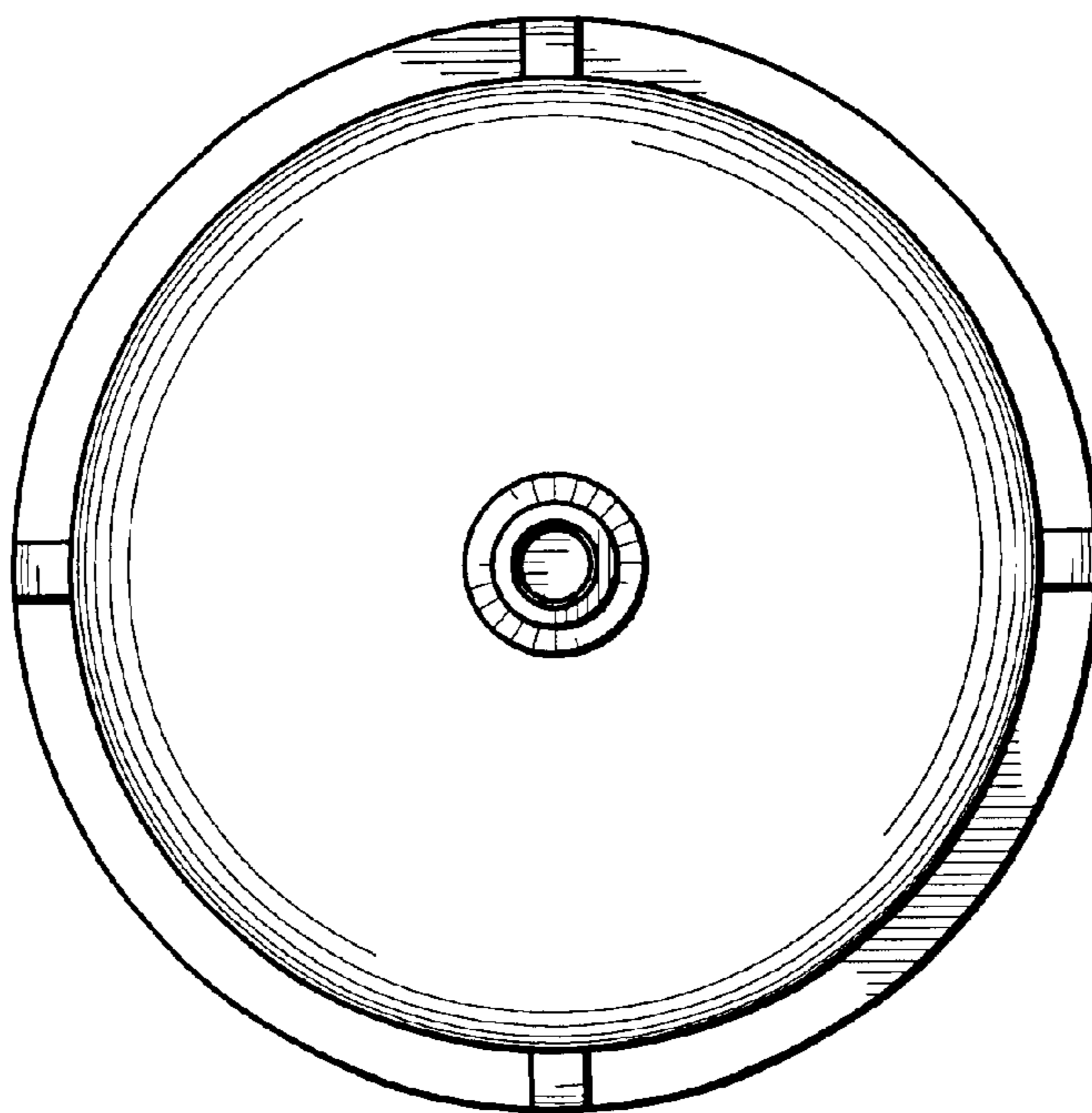


Fig. 4