



US00D458336S

(12) **United States Design Patent**  
**Hodgin**

(10) **Patent No.:** **US D458,336 S**

(45) **Date of Patent:** **\*\* Jun. 4, 2002**

(54) **SHRIMP HEAD LURE**

D450,368 S \* 11/2001 Lummis ..... D22/129

(75) Inventor: **Doyle E. Hodgin**, Durham, NC (US)

**OTHER PUBLICATIONS**

(73) Assignee: **Doyle Hodgin Sports**, Apex, NC (US)

Do-It Lure & Sinker Molds, Style "C" Spinner Jigs—  
Catalog No. 96, 1995–1996, p. 24.\*

(\*\*) Term: **14 Years**

\* cited by examiner

(21) Appl. No.: **29/145,257**

*Primary Examiner*—Catherine R. Oliver

(22) Filed: **Jul. 19, 2001**

(57) **CLAIM**

(51) **LOC (7) Cl.** ..... **22-05**

The ornamental design for a shrimp head lure, as shown and described.

(52) **U.S. Cl.** ..... **D22/126**

(58) **Field of Search** ..... D22/125–133;  
43/42.06, 42.08, 42.37, 42.36, 42.28, 42.11,  
42.13, 42.19, 42.24, 34, 42.31

**DESCRIPTION**

(56) **References Cited**

**U.S. PATENT DOCUMENTS**

D215,090 S	*	9/1969	Bruckner	.....	D22/128
D254,024 S	*	1/1980	Parker	.....	D22/128
D376,833 S	*	12/1996	Hodgin	.....	D22/128
D408,883 S	*	4/1999	Snyder	.....	D22/126

FIG. 1 is a right side elevational view of the shrimp head lure embodying my design, the left side elevational view being a mirror image thereof;  
FIG. 2 is a front elevation view thereof;  
FIG. 3 is a rear elevational view thereof;  
FIG. 4 is a top plan view thereof; and,  
FIG. 5 is a bottom plan view thereof.

**1 Claim, 2 Drawing Sheets**



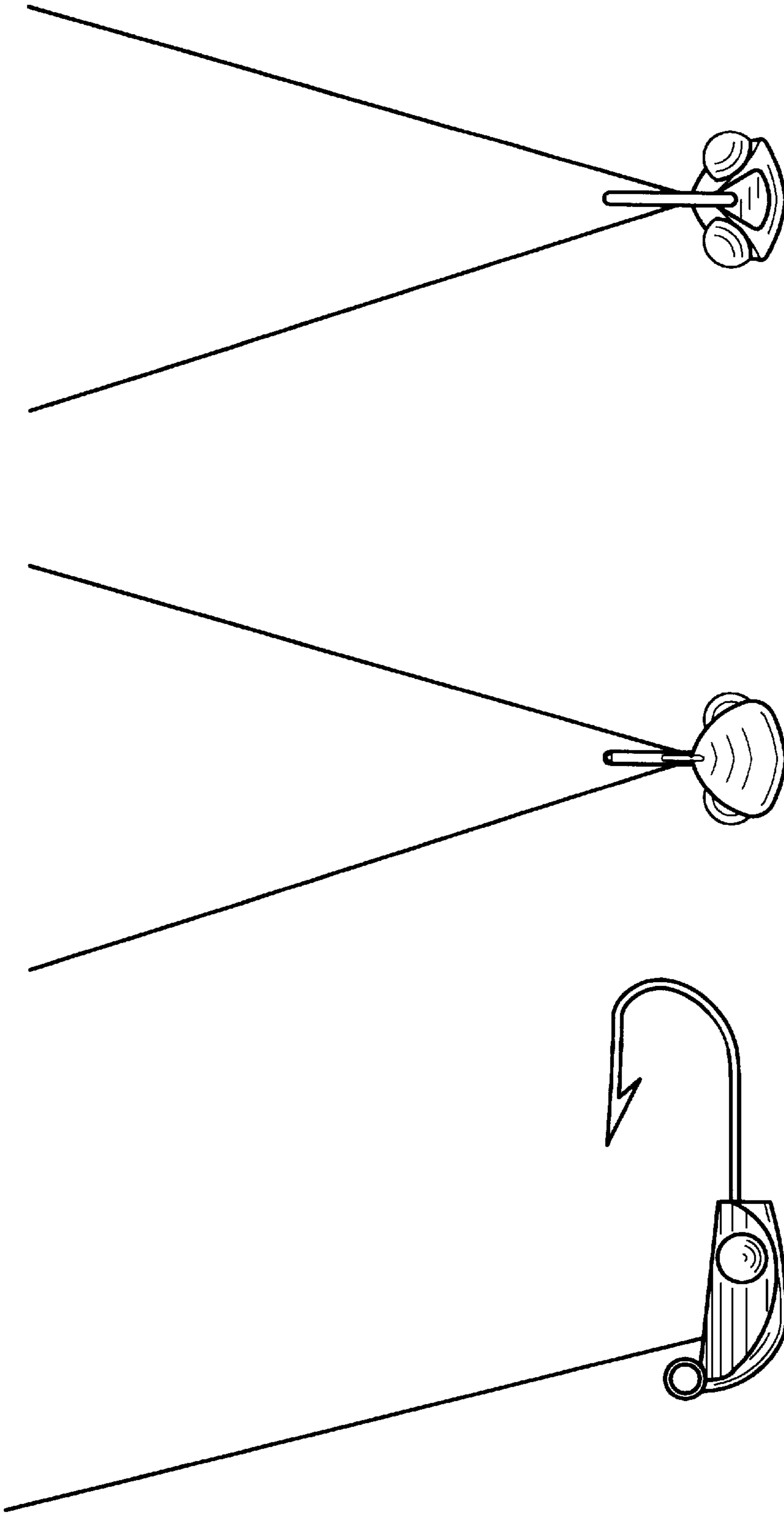


FIG. 3

FIG. 2

FIG. 1

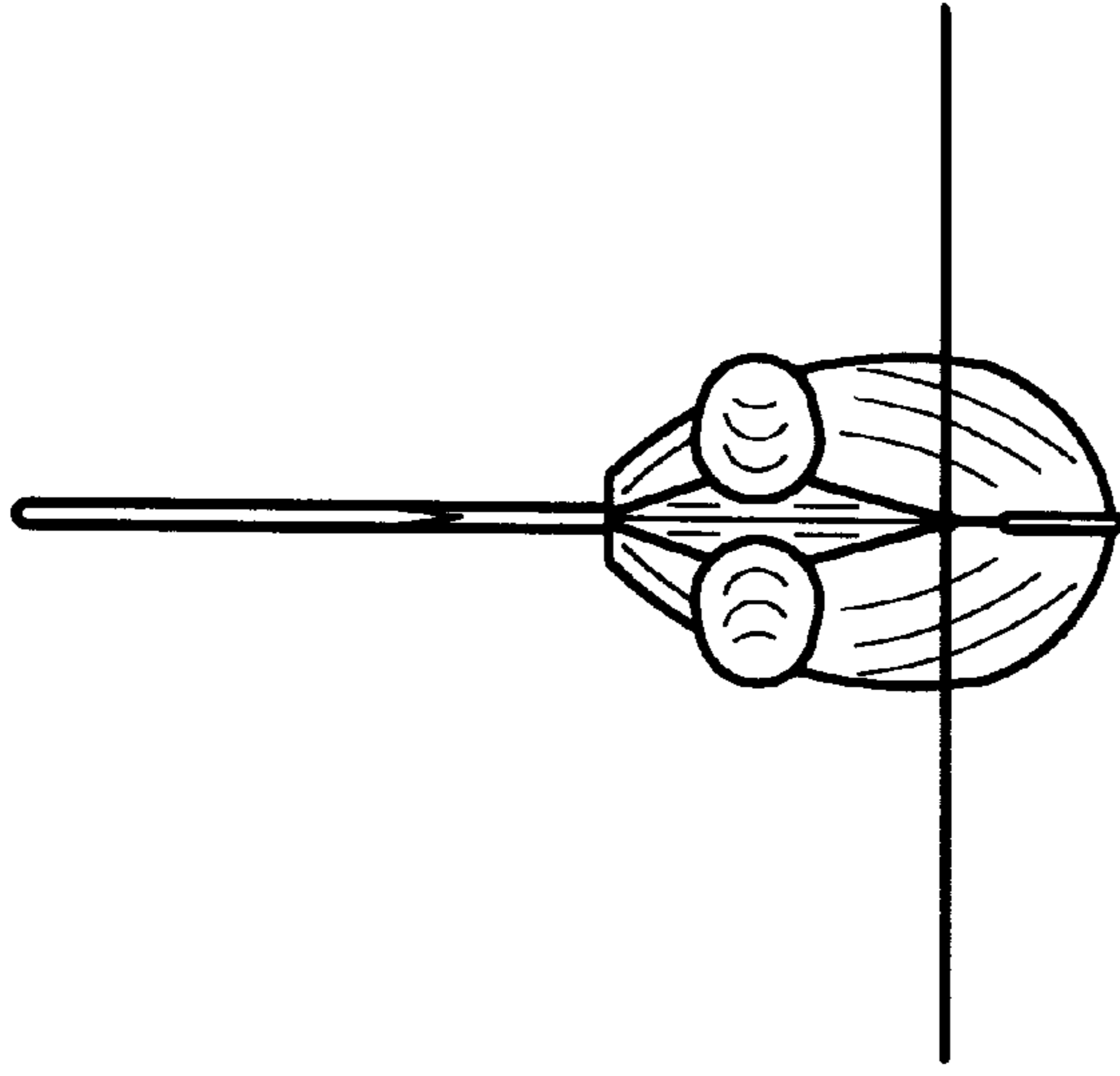


FIG. 4

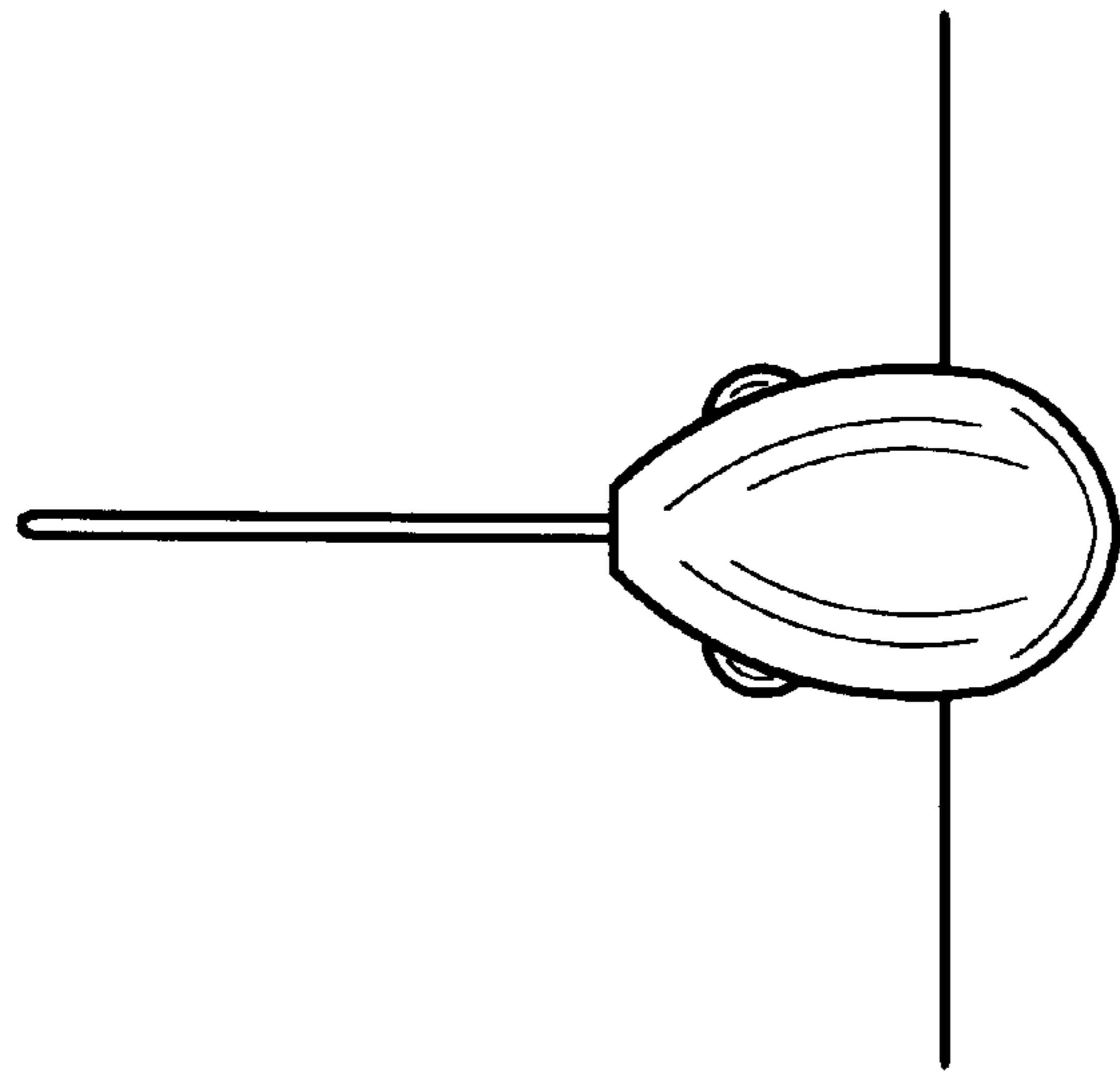


FIG. 5