



US00D458335S

(12) **United States Design Patent**
Bambacigno

(10) **Patent No.:** **US D458,335 S**

(45) **Date of Patent:** **** Jun. 4, 2002**

(54) **WEIGHTED HEAD FISHING LURE BODY**

(75) Inventor: **John A. Bambacigno**, Grangeville, ID (US)

(73) Assignee: **W. James Spickelmire, et al.**, Grangeville, ID (US)

(**) Term: **14 Years**

(21) Appl. No.: **29/136,592**

(22) Filed: **Feb. 1, 2001**

(51) **LOC (7) Cl.** **22-05**

(52) **U.S. Cl.** **D22/126**

(58) **Field of Search** D25/125-133;
43/42.33, 42.28, 42.36, 42.35, 42.45, 42.16,
42.48, 42.06, 44.81

(56) **References Cited**

U.S. PATENT DOCUMENTS

2,625,767	A	*	1/1953	Pokras	43/42.05
2,932,112	A	*	4/1960	Graves, Jr.	43/42.02
2,964,870	A	*	12/1960	Dishon	43/42.02
D341,181	S	*	11/1993	Fong	D22/126
D382,328	S	*	8/1997	Landriault et al.	D22/144
D390,622	S	*	2/1998	Wicht	D22/126
D404,460	S	*	1/1999	Wicht	D22/126
D411,869	S		7/1999	Tirone, Jr.	D22/126
D418,574	S		1/2000	Rowh	D22/129
D421,638	S		3/2000	Yount	D22/126

* cited by examiner

Primary Examiner—Catherine R. Oliver
(74) *Attorney, Agent, or Firm*—Wells St. John P.S.

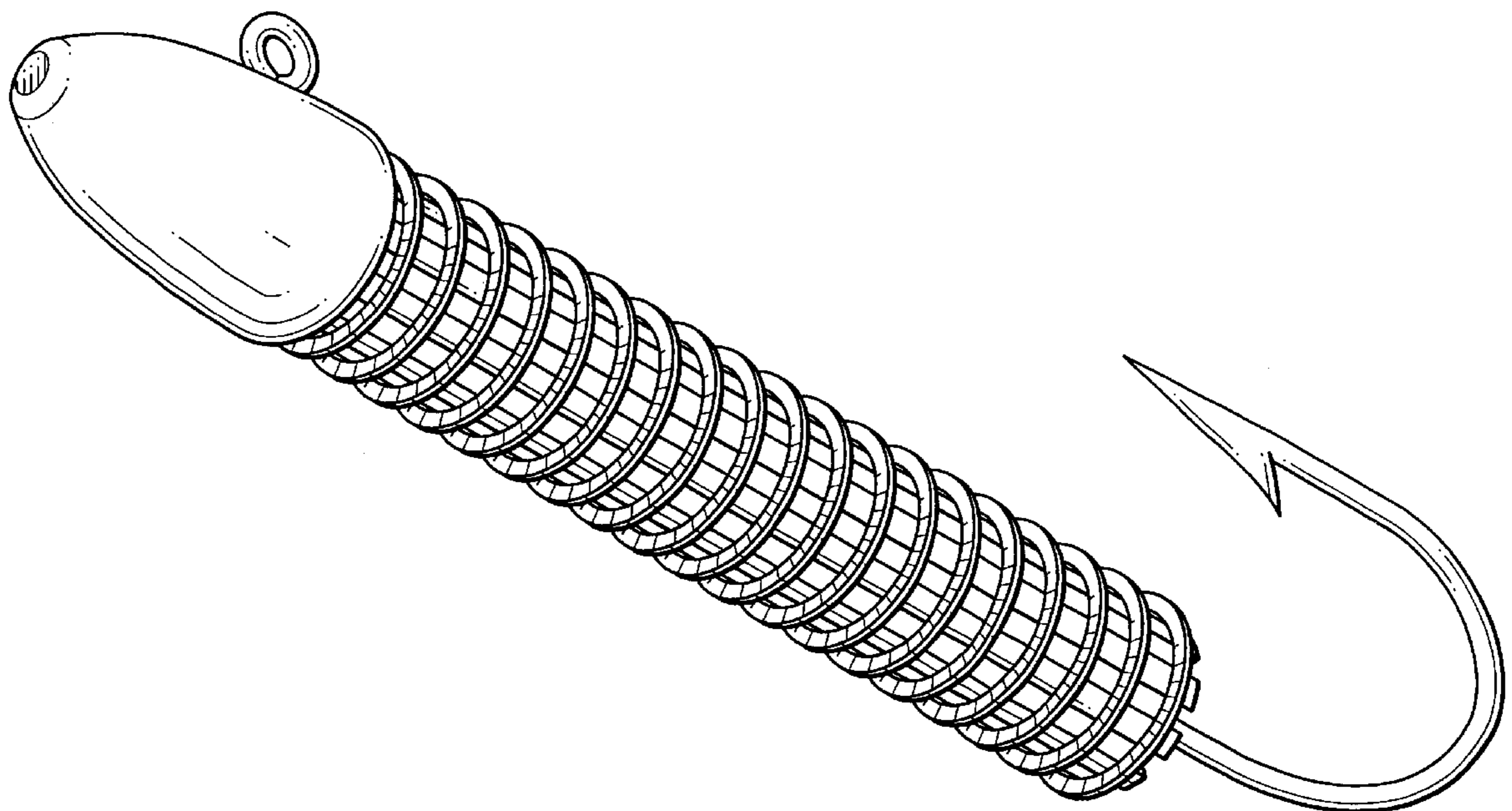
(57) **CLAIM**

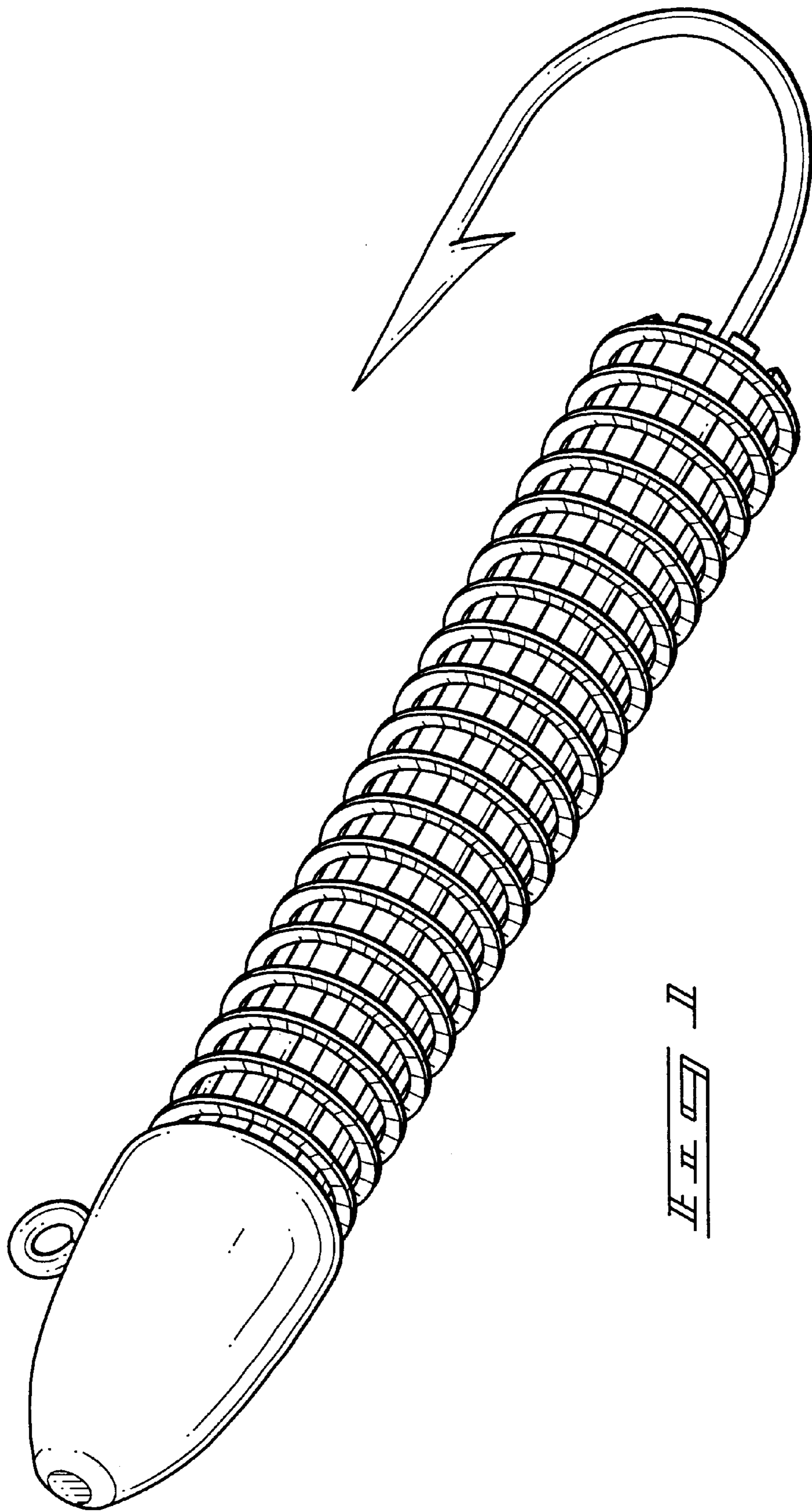
The ornamental design for a weighted head fishing lure body, as shown and described.

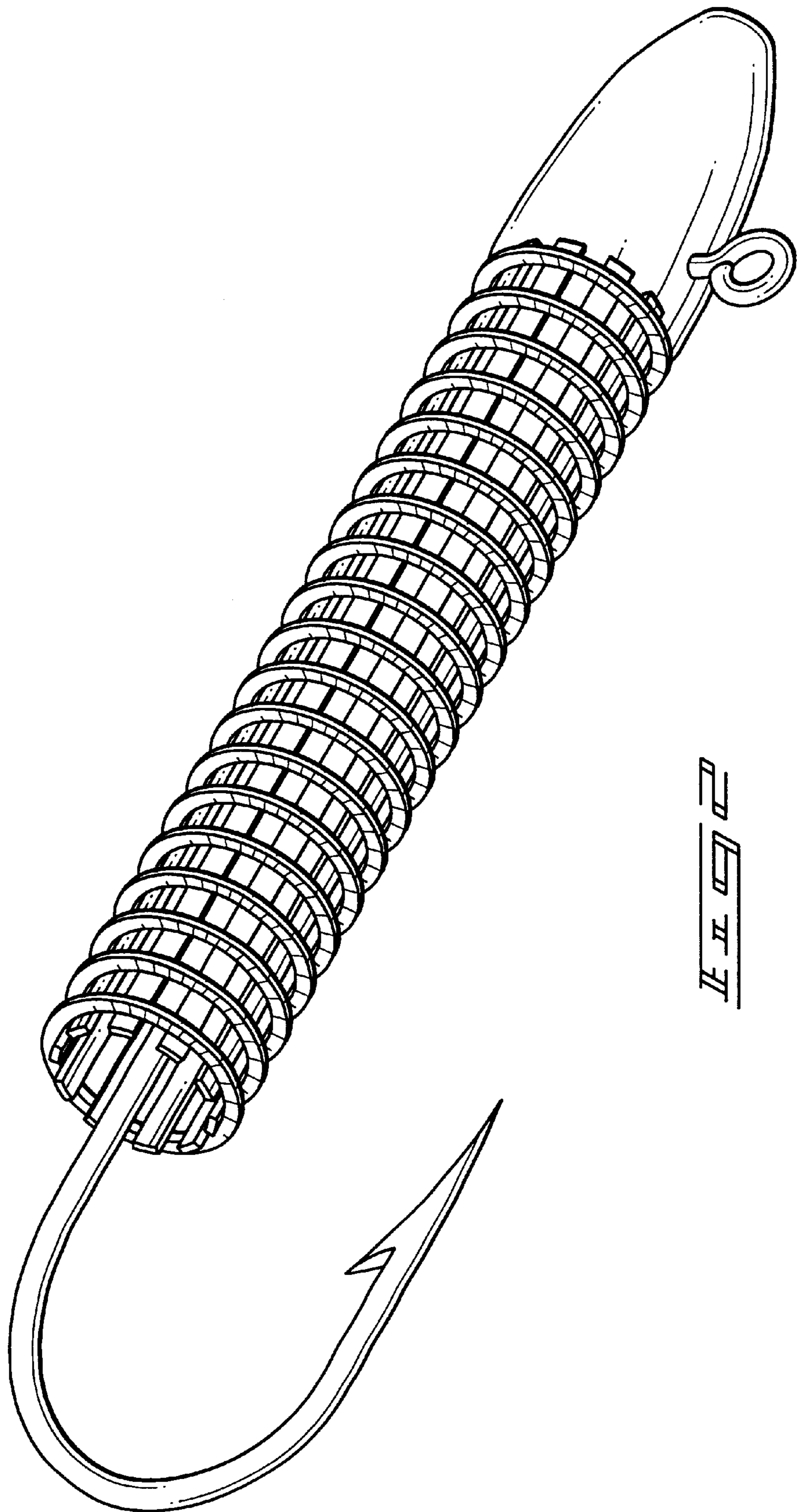
DESCRIPTION

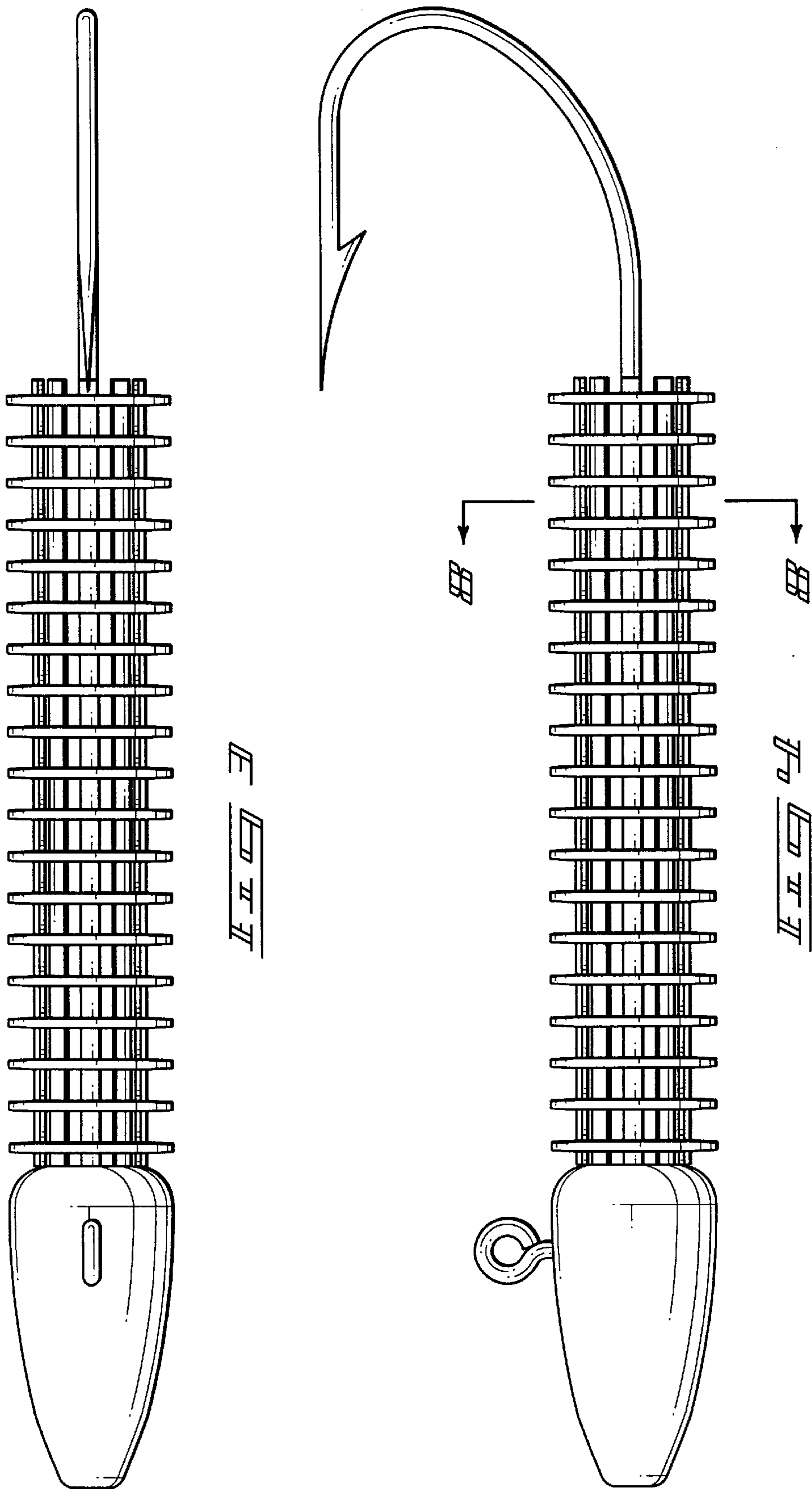
FIG. 1 is a frontal perspective view of a weighted head fishing lure body, showing my new design;
 FIG. 2 is a rear perspective view thereof;
 FIG. 3 is a top plan view thereof;
 FIG. 4 is a side elevation view thereof, the opposite side being a mirror image;
 FIG. 5 is a bottom plan view thereof;
 FIG. 6 is a front elevation view thereof;
 FIG. 7 is a rear elevation view thereof;
 FIG. 8 is an enlarged sectional view taken along line 8—8 in FIG. 4;
 FIG. 9 is a front perspective view of a second embodiment of my design;
 FIG. 10 is a rear perspective view of the second embodiment;
 FIG. 11 is a top plan view of the second embodiment;
 FIG. 12 is a side elevation view of the second embodiment, the opposite side being a mirror image thereof;
 FIG. 13 is a bottom plan view of the second embodiment;
 FIG. 14 is a front end view of the second embodiment;
 FIG. 15 is a rear end view of the second embodiment; and,
 FIG. 16 is an enlarged sectional view taken along line 16—16 in FIG. 12.

1 Claim, 8 Drawing Sheets









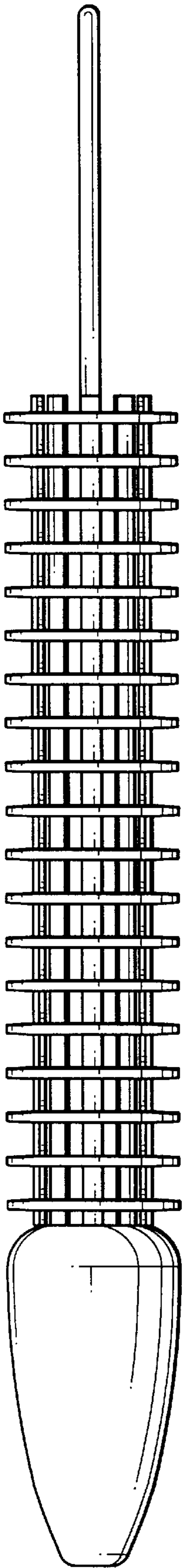


FIG. 5

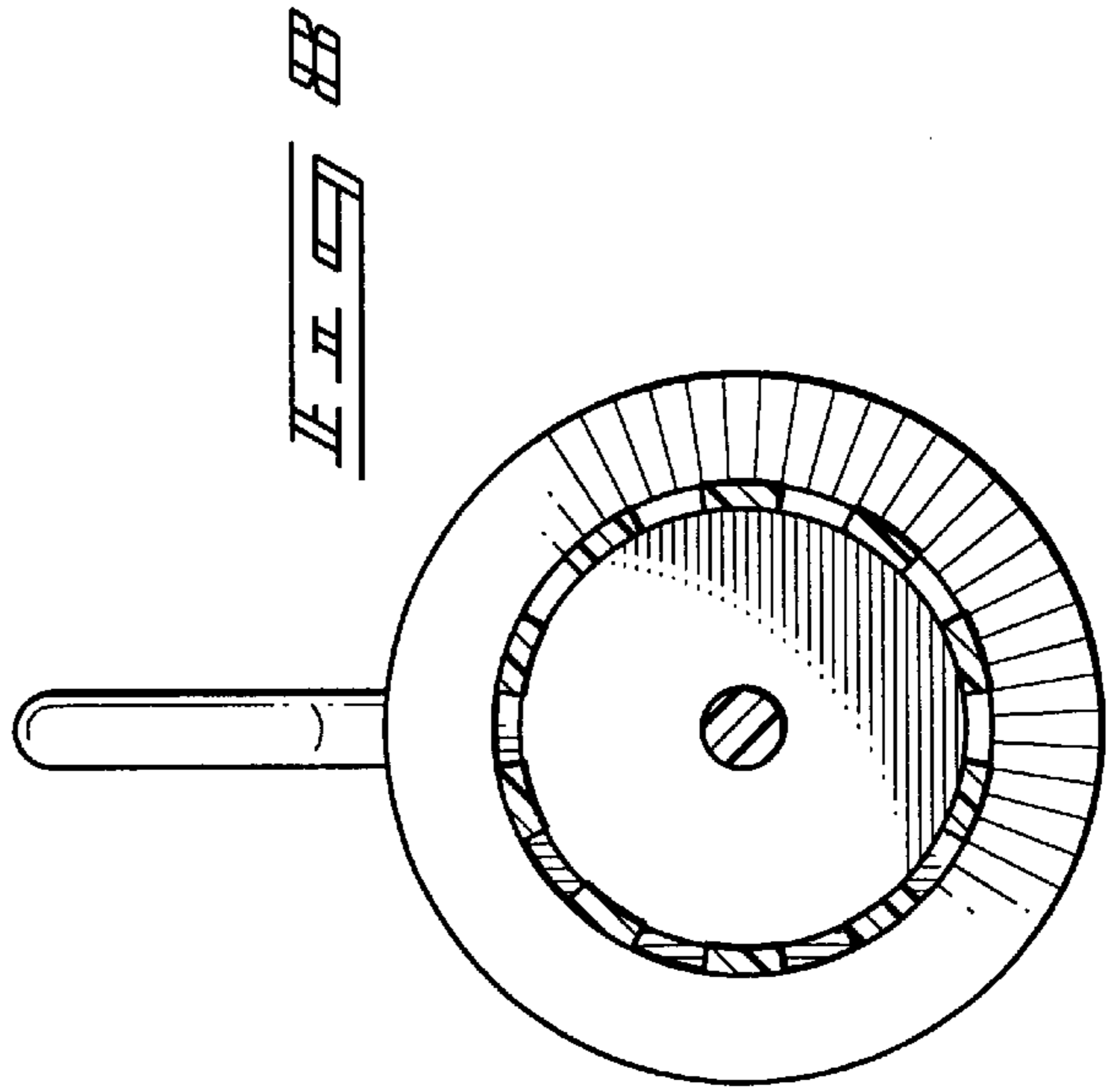


FIG. 6

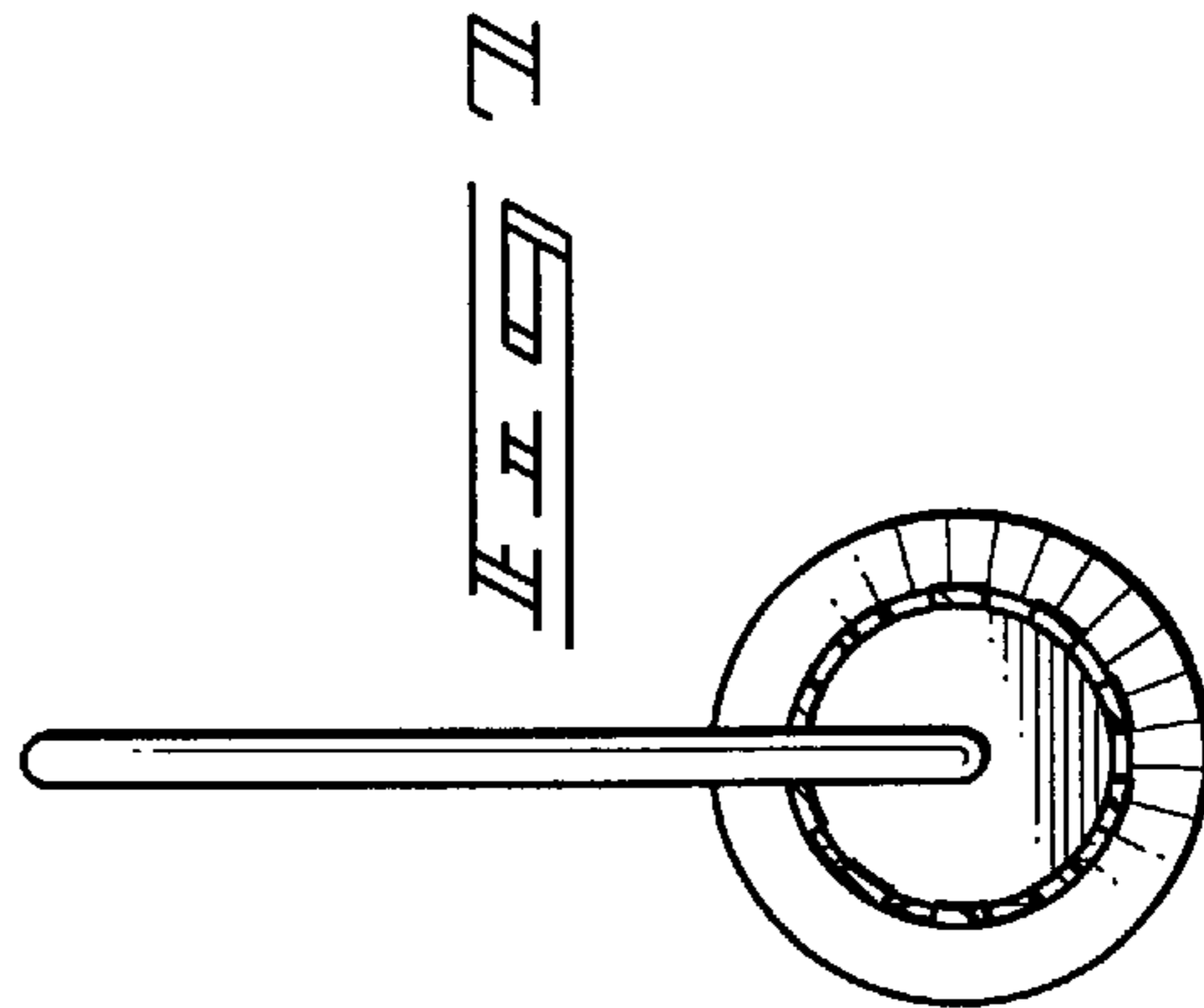


FIG. 7

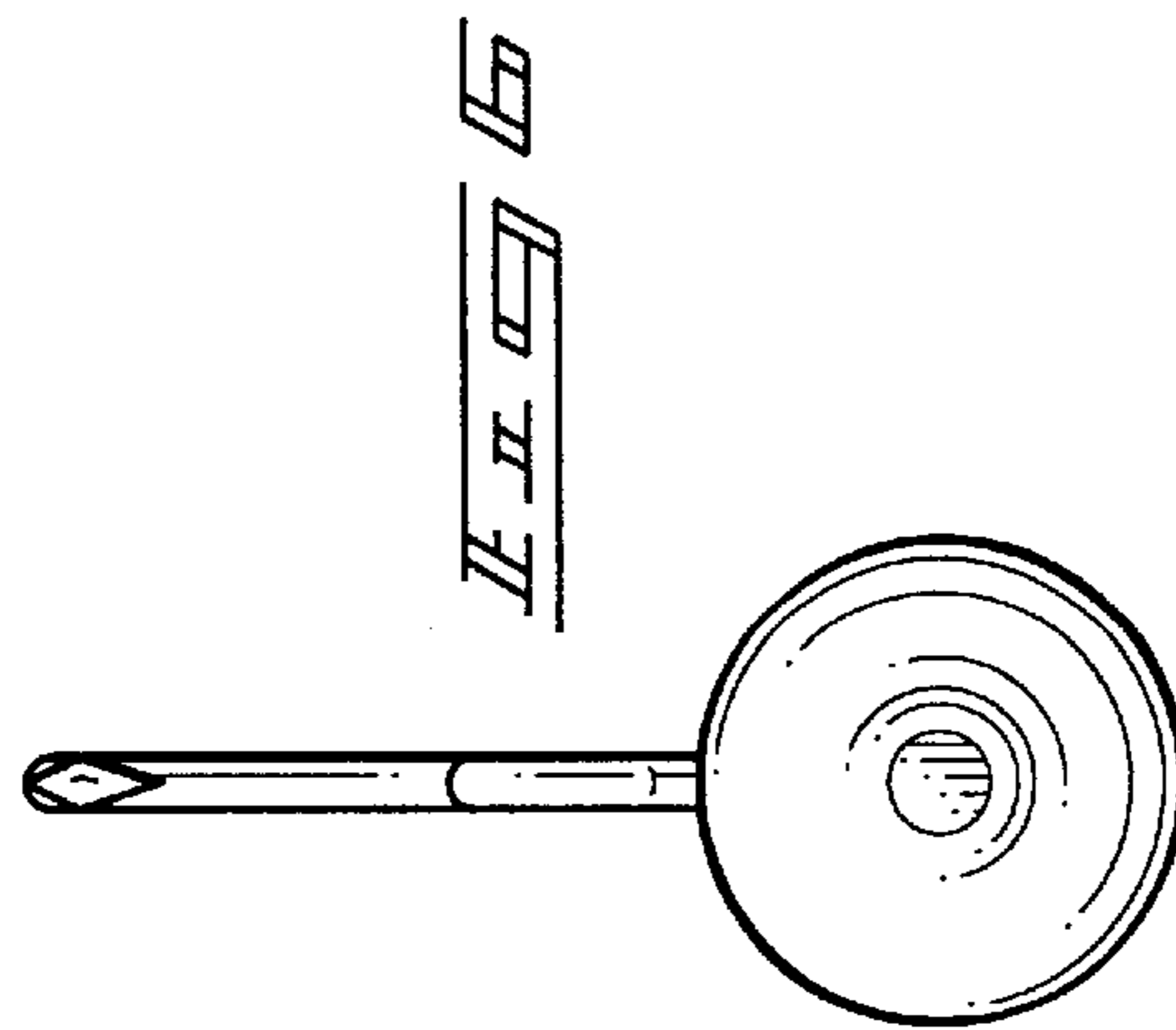


FIG. 8

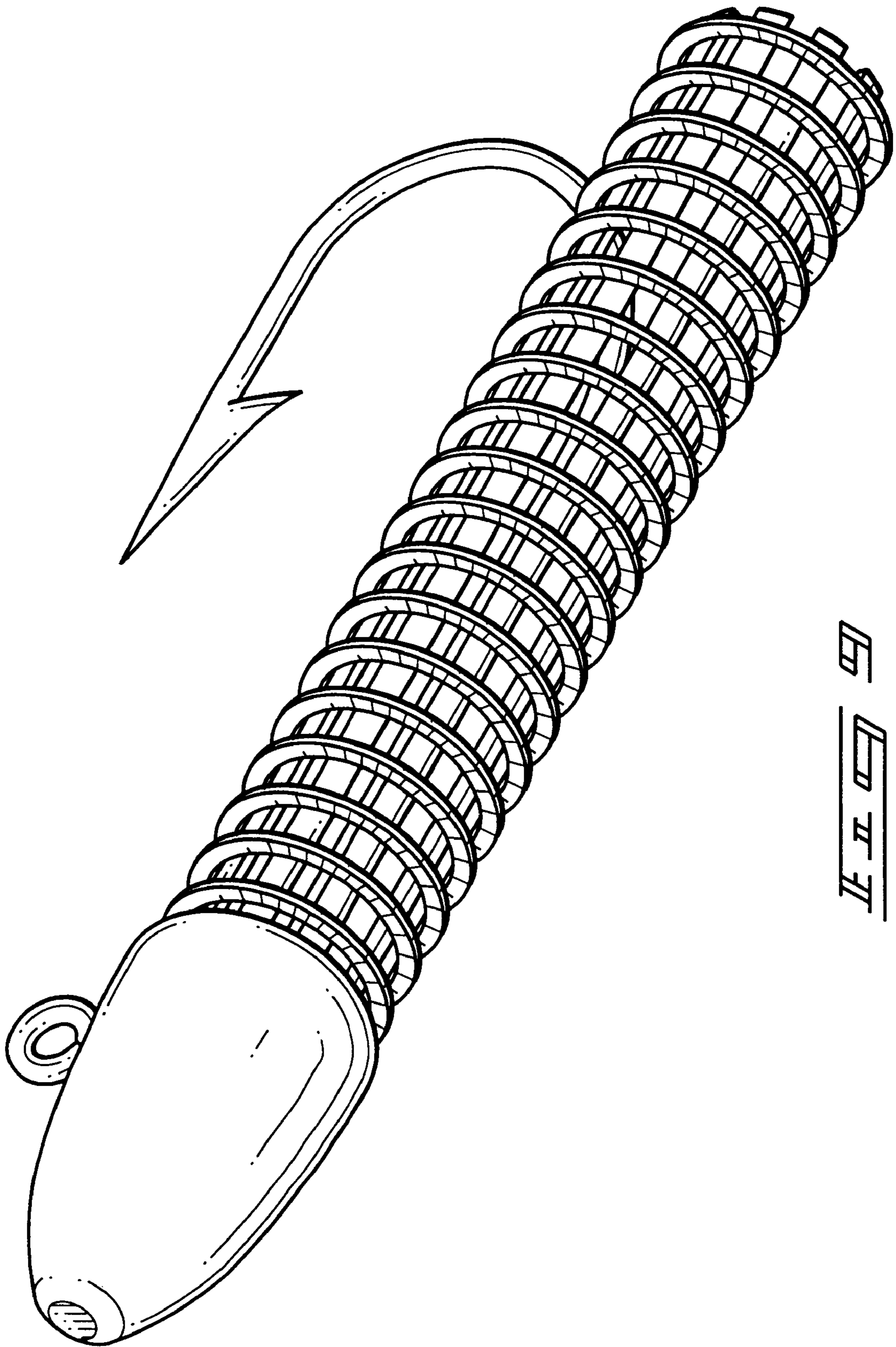
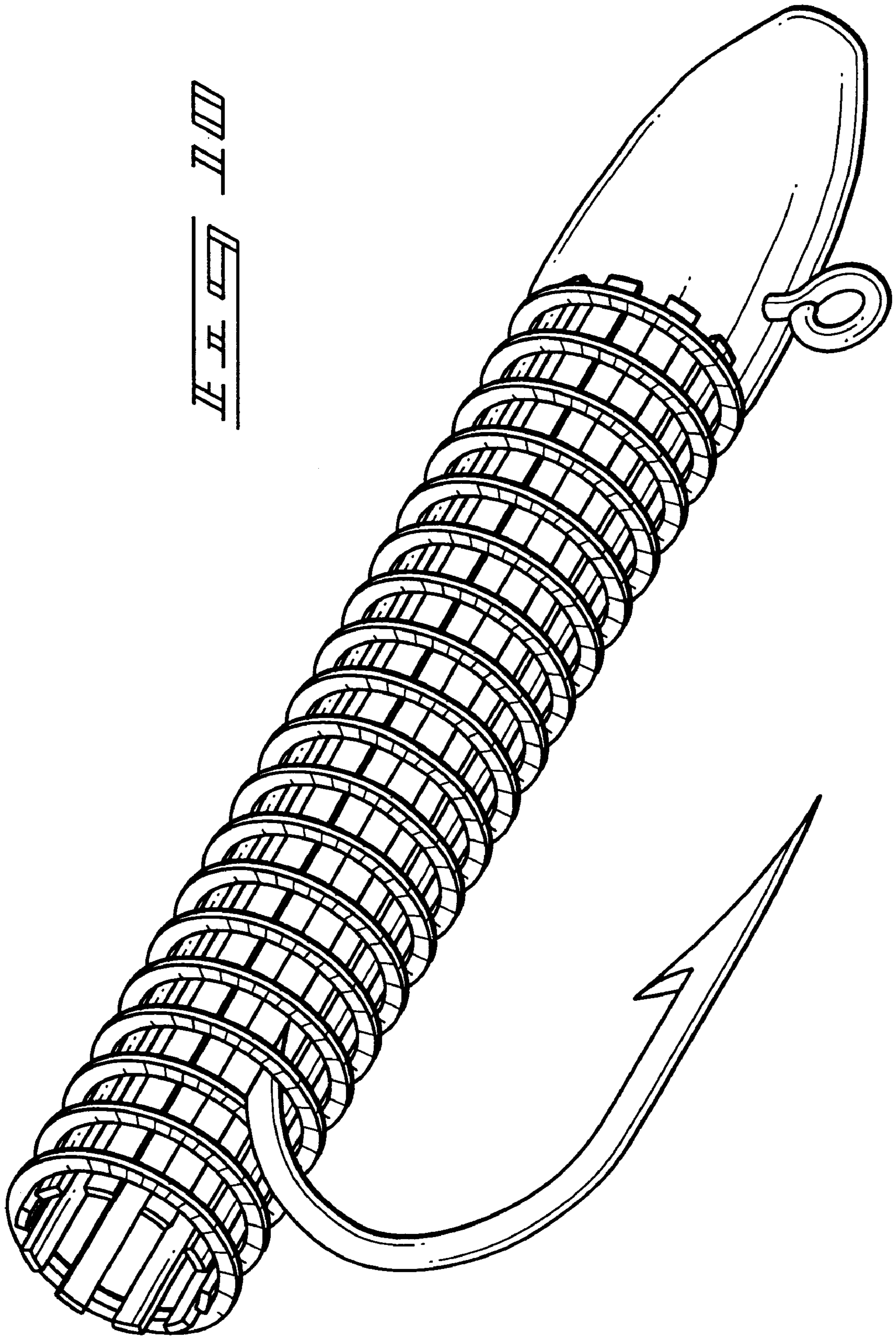


FIG. 5



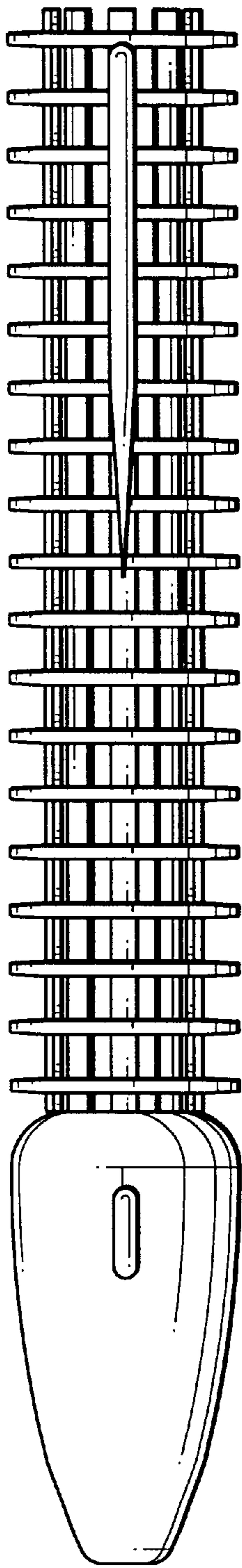
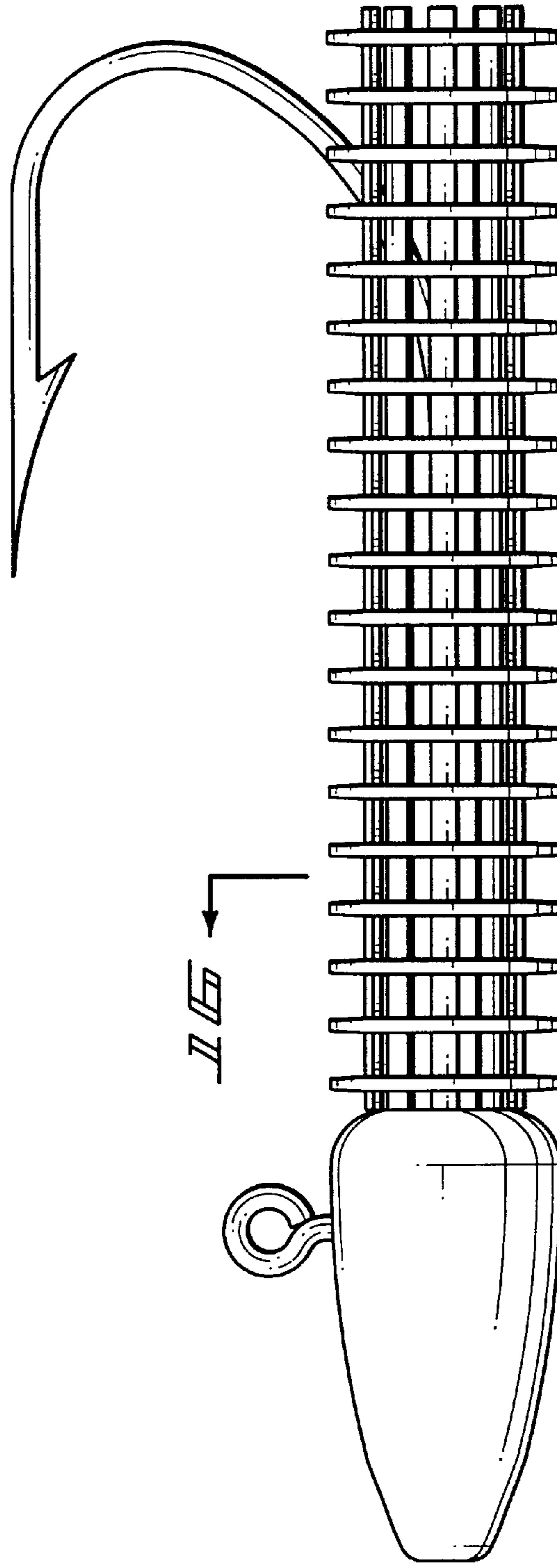


FIG. 1



16

FIG. 2

16

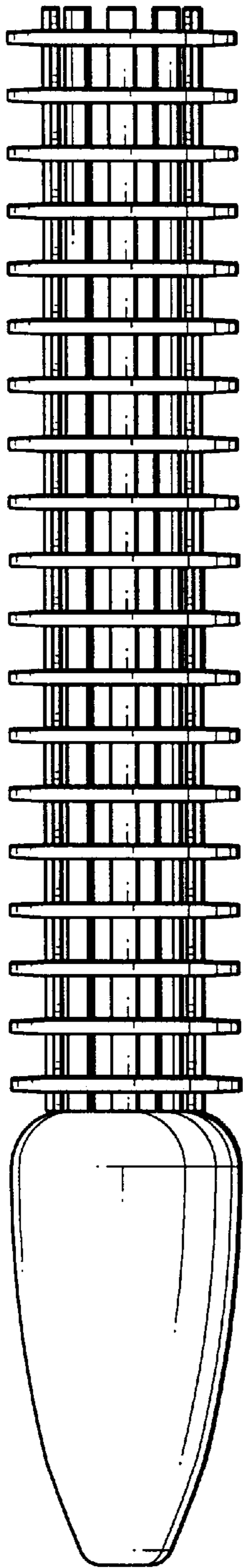


FIG. 1

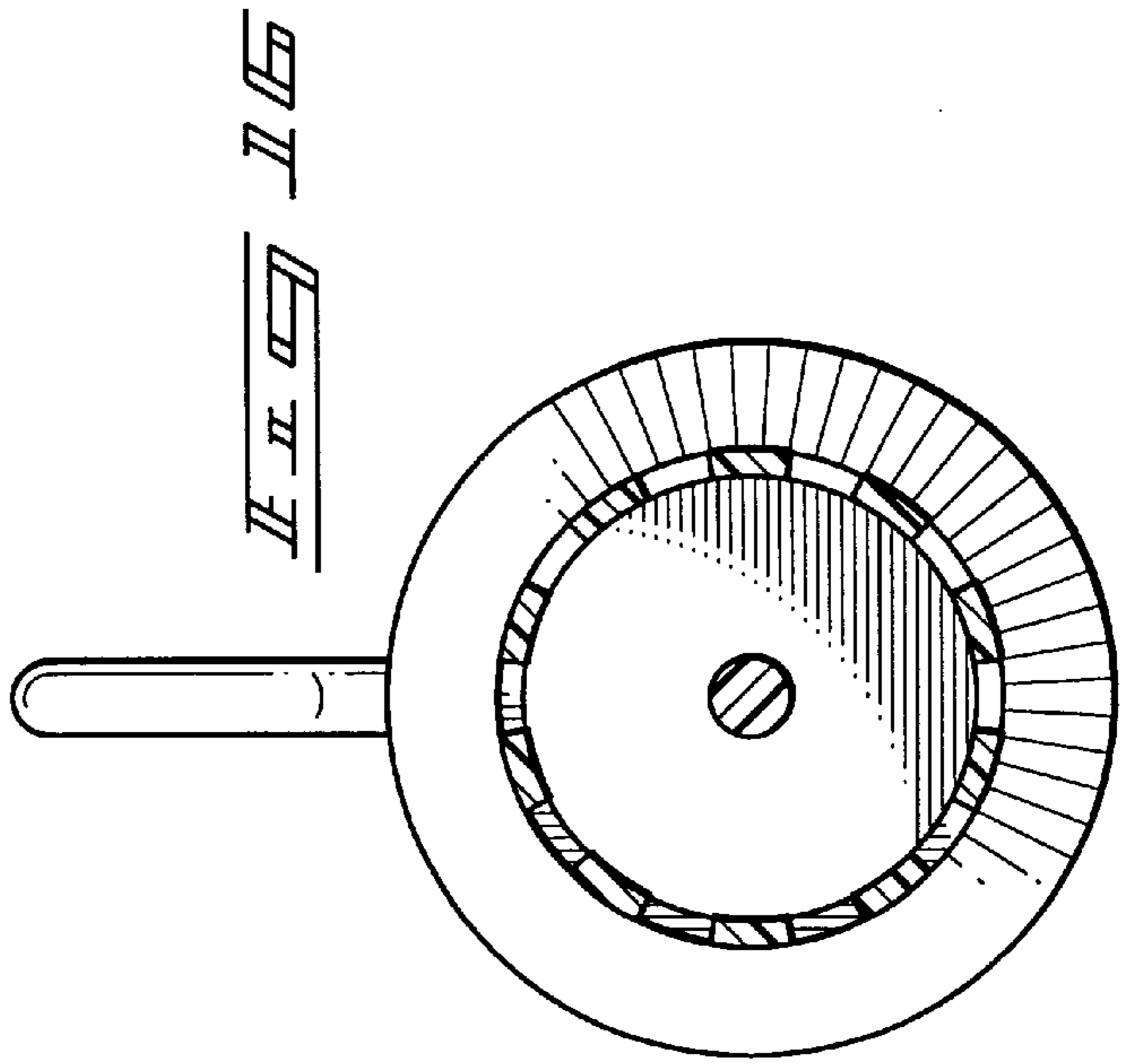


FIG. 2

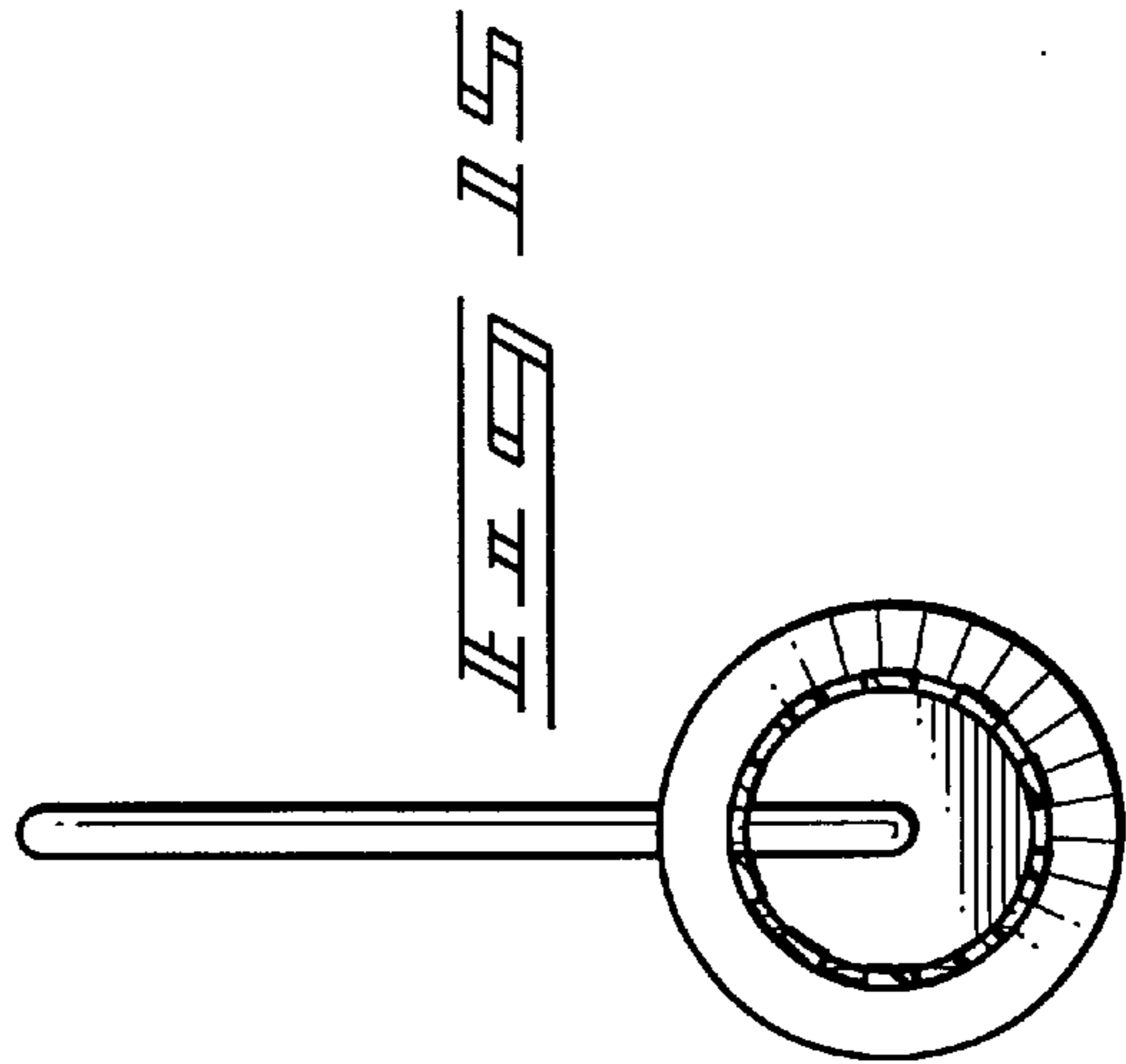


FIG. 3

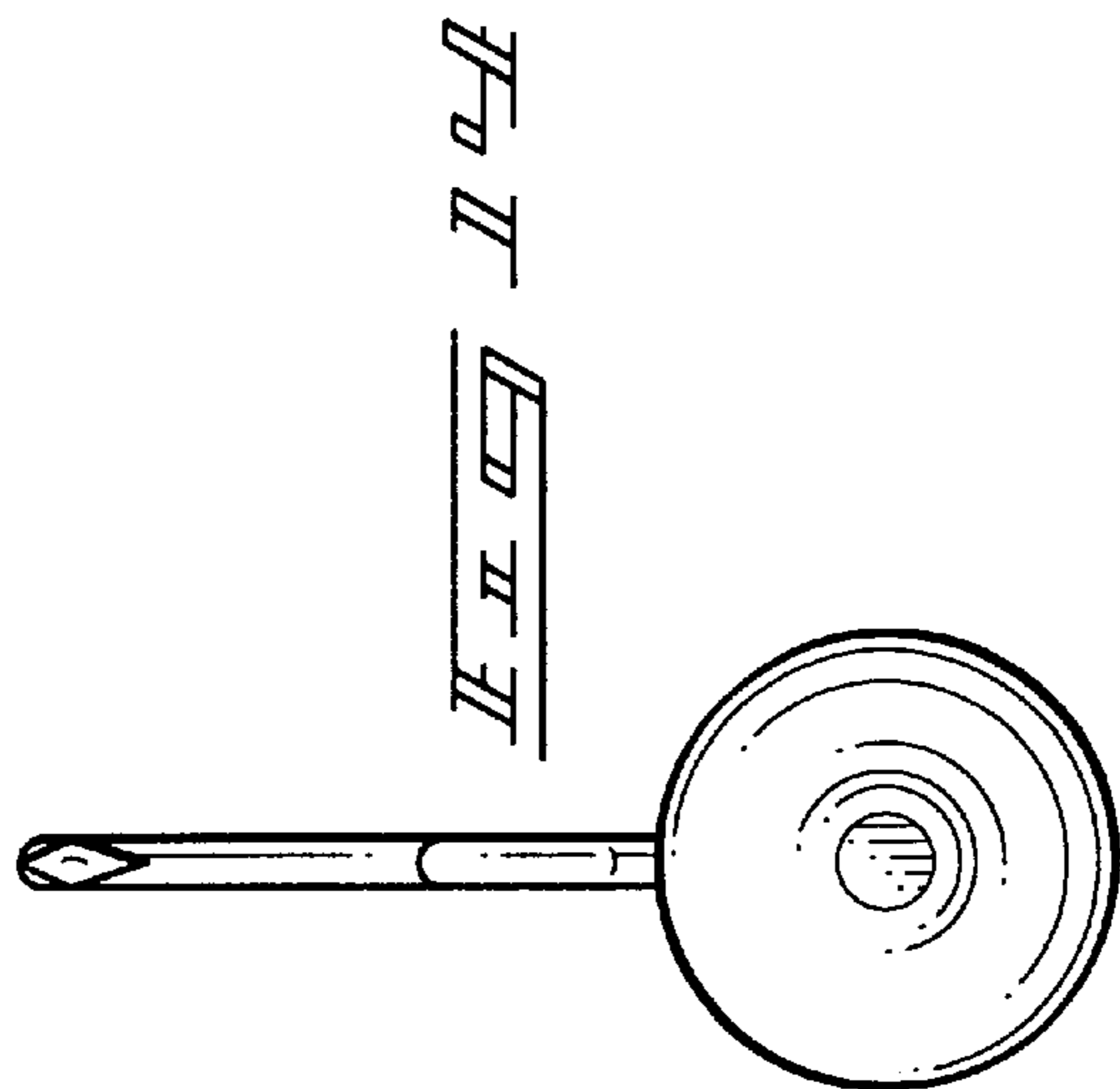


FIG. 4