



US00D458334S

(12) **United States Design Patent**  
**Levine**

(10) **Patent No.:** **US D458,334 S**

(45) **Date of Patent:** **\*\* Jun. 4, 2002**

(54) **ULTRASONIC PEST REPELLER**  
(75) Inventor: **Stephen Levine**, Far Hills, NJ (US)  
(73) Assignee: **Team Products International**,  
Parsippany, NJ (US)  
(\*\*) Term: **14 Years**

(21) Appl. No.: **29/147,049**  
(22) Filed: **Aug. 21, 2001**

(51) **LOC (7) Cl.** ..... **22-05**  
(52) **U.S. Cl.** ..... **D22/120**  
(58) **Field of Search** ..... D22/120, 119-125;  
43/124, 112, 59, 126, 129, 1; D23/366-369;  
D26/26, 2

(56) **References Cited**  
**U.S. PATENT DOCUMENTS**

D269,990 S \* 8/1983 Hall ..... D22/120  
D352,988 S \* 11/1994 Jan ..... D22/120  
D430,259 S \* 8/2000 Jan ..... D22/120  
D433,521 S \* 11/2000 Jaworski ..... D26/26

D440,274 S \* 4/2001 Davis ..... D22/120

\* cited by examiner

*Primary Examiner*—Catherine R. Oliver  
(74) *Attorney, Agent, or Firm*—Darby & Darby

(57) **CLAIM**

The ornamental design for an ultrasonic pest repeller, as shown and described.

**DESCRIPTION**

FIG. 1 is a perspective view of my new design for an ultrasonic pest repeller shown in its environment with respect to an electrical wall outlet, which is not a part of the design;

FIG. 2 is a top plan view of my new design;

FIG. 3 is a bottom plan view thereof;

FIG. 4 is a front elevation view thereof;

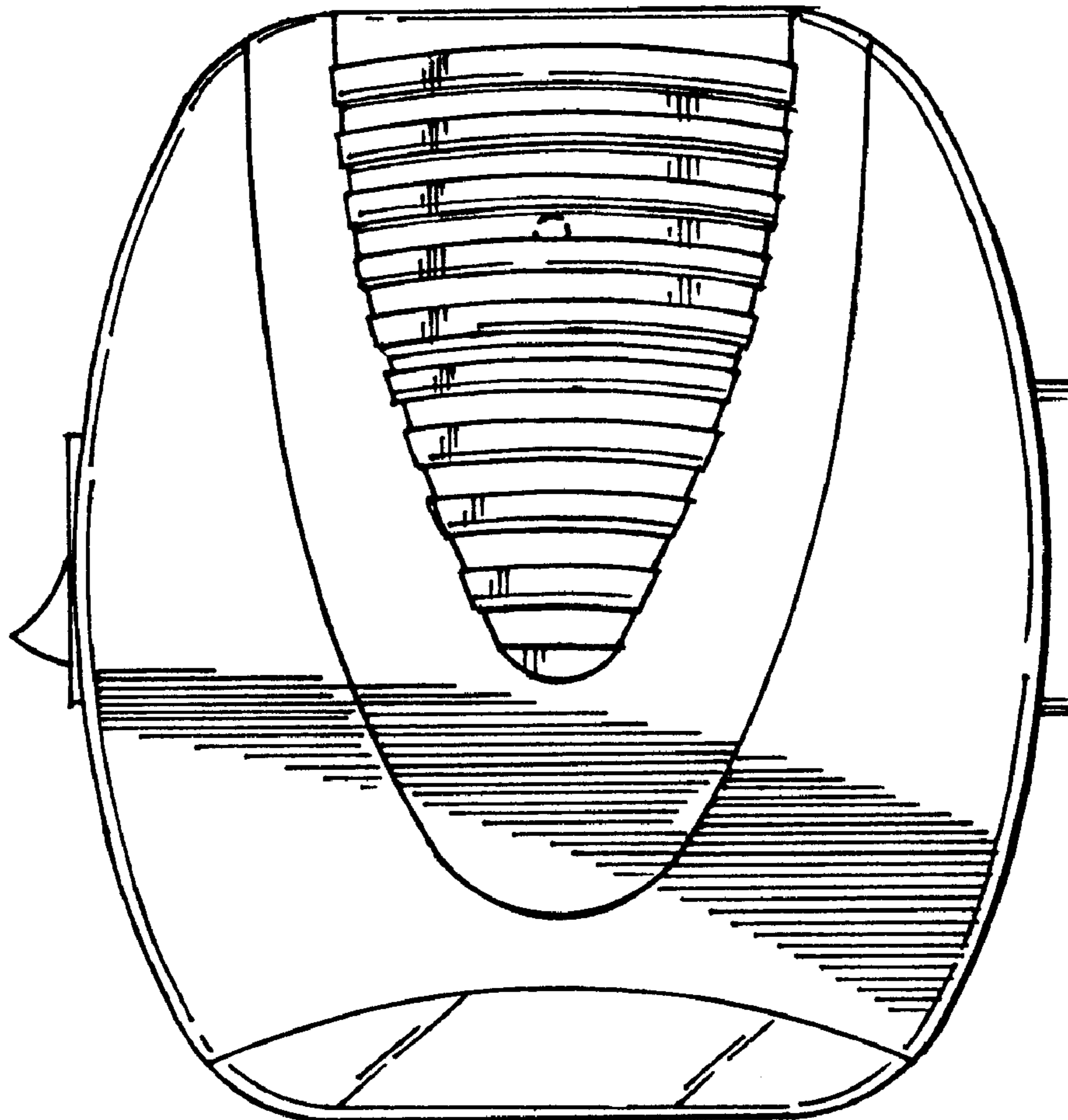
FIG. 5 is a left side elevation view thereof;

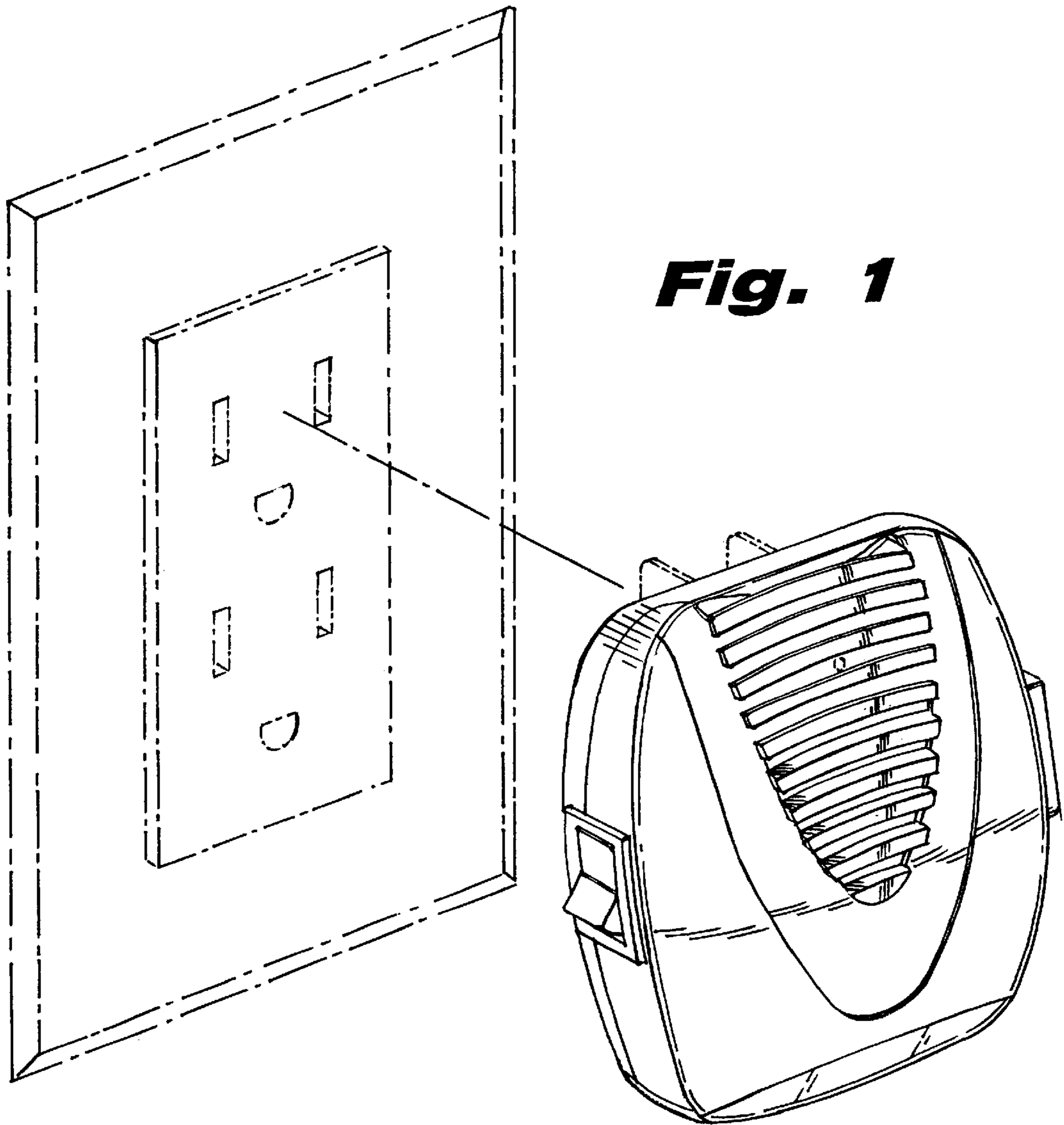
FIG. 6 is a rear elevation view thereof; and,

FIG. 7 is a right side elevation view thereof.

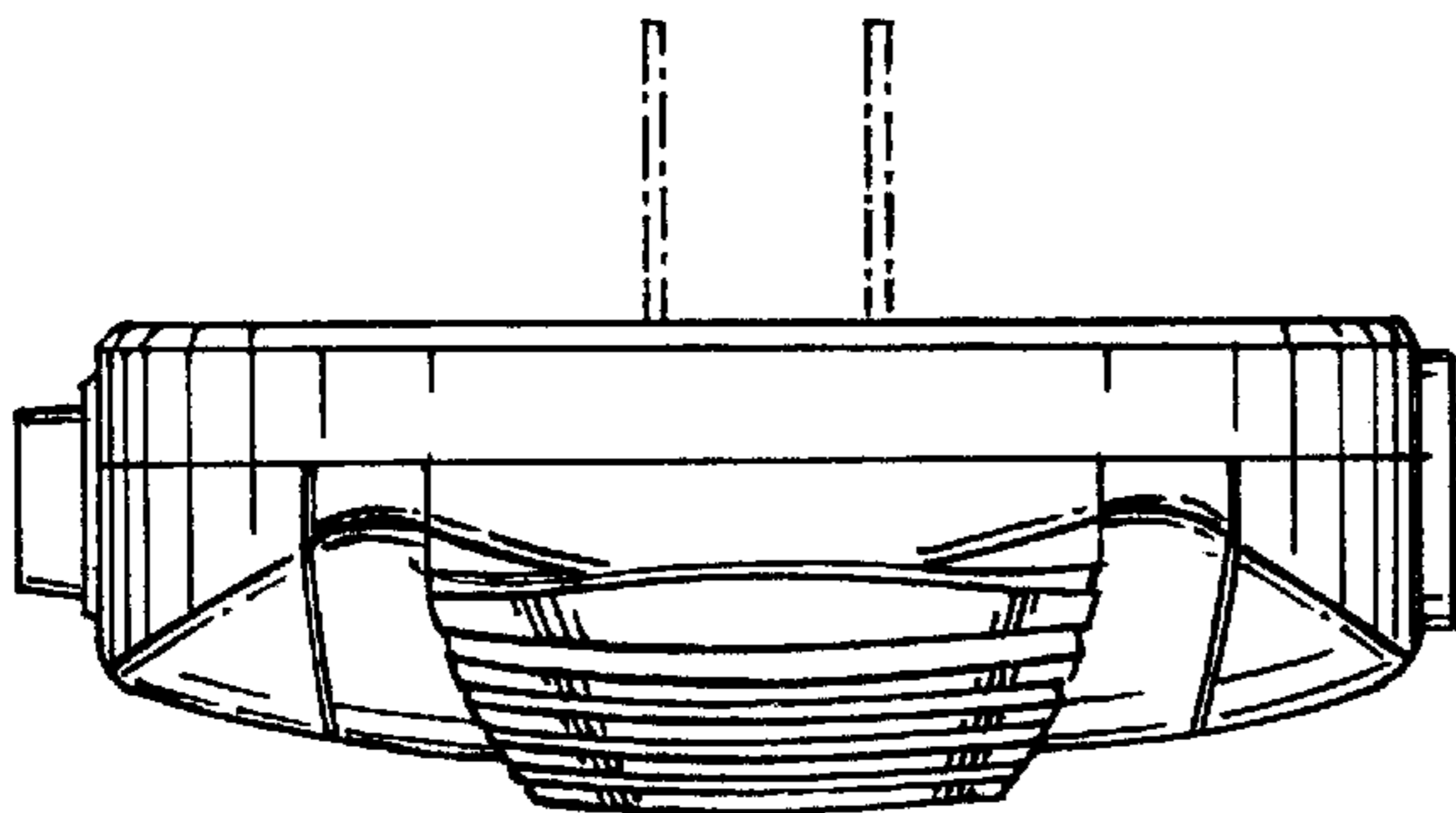
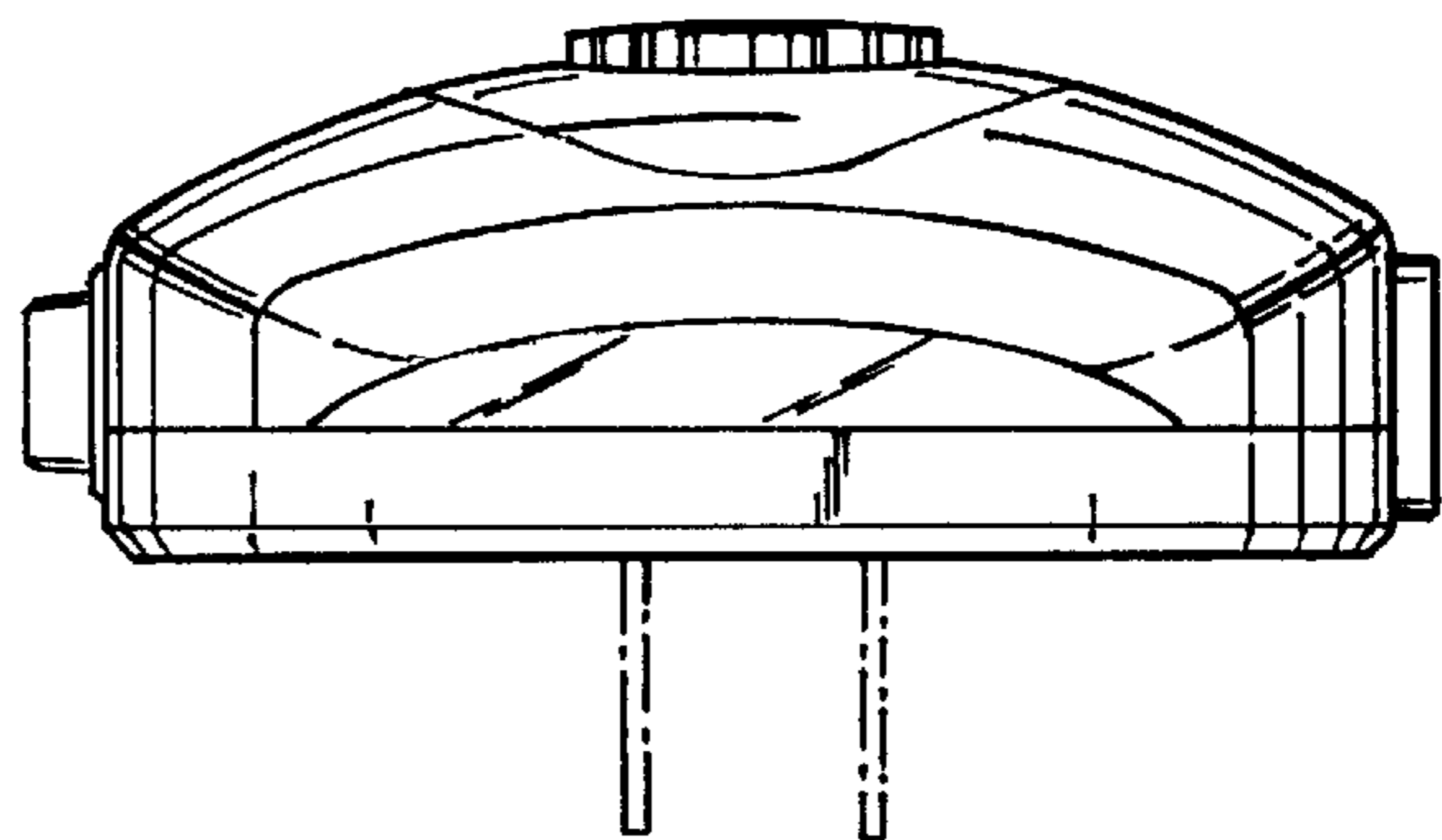
The broken line showing of environment in the drawings is for illustrative purposes only and forms no part of the claimed design.

**1 Claim, 2 Drawing Sheets**

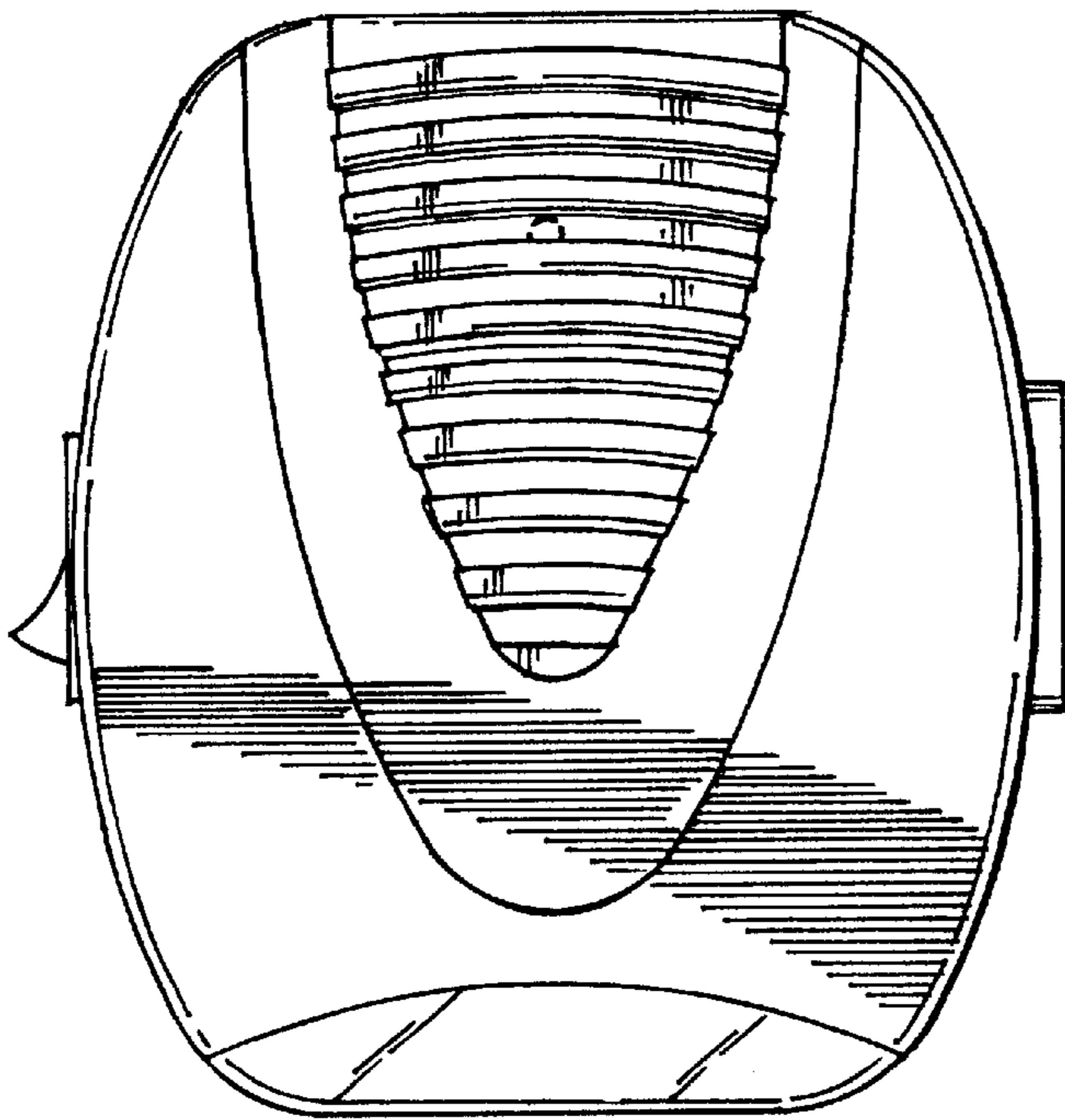




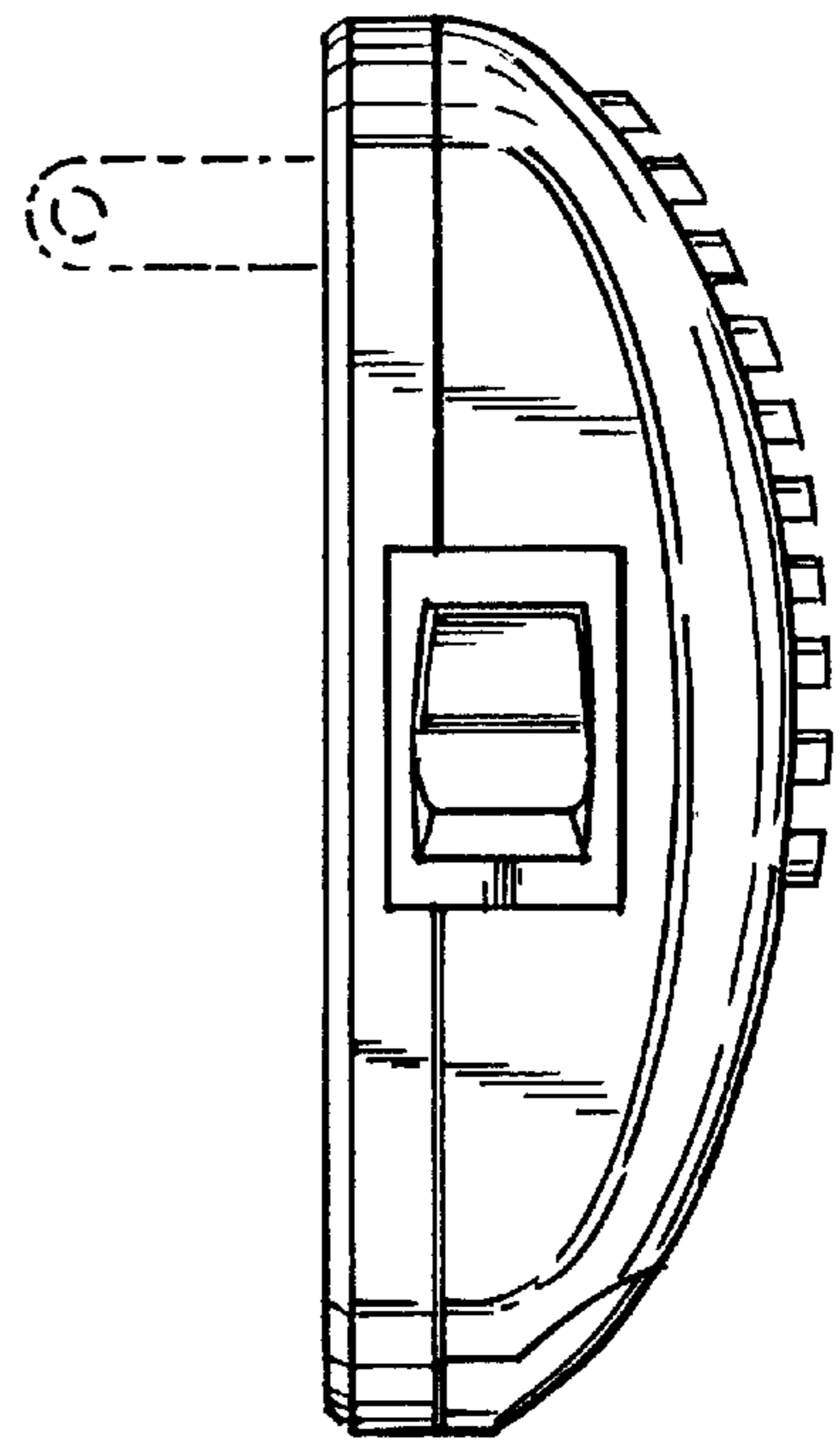
**Fig. 2**



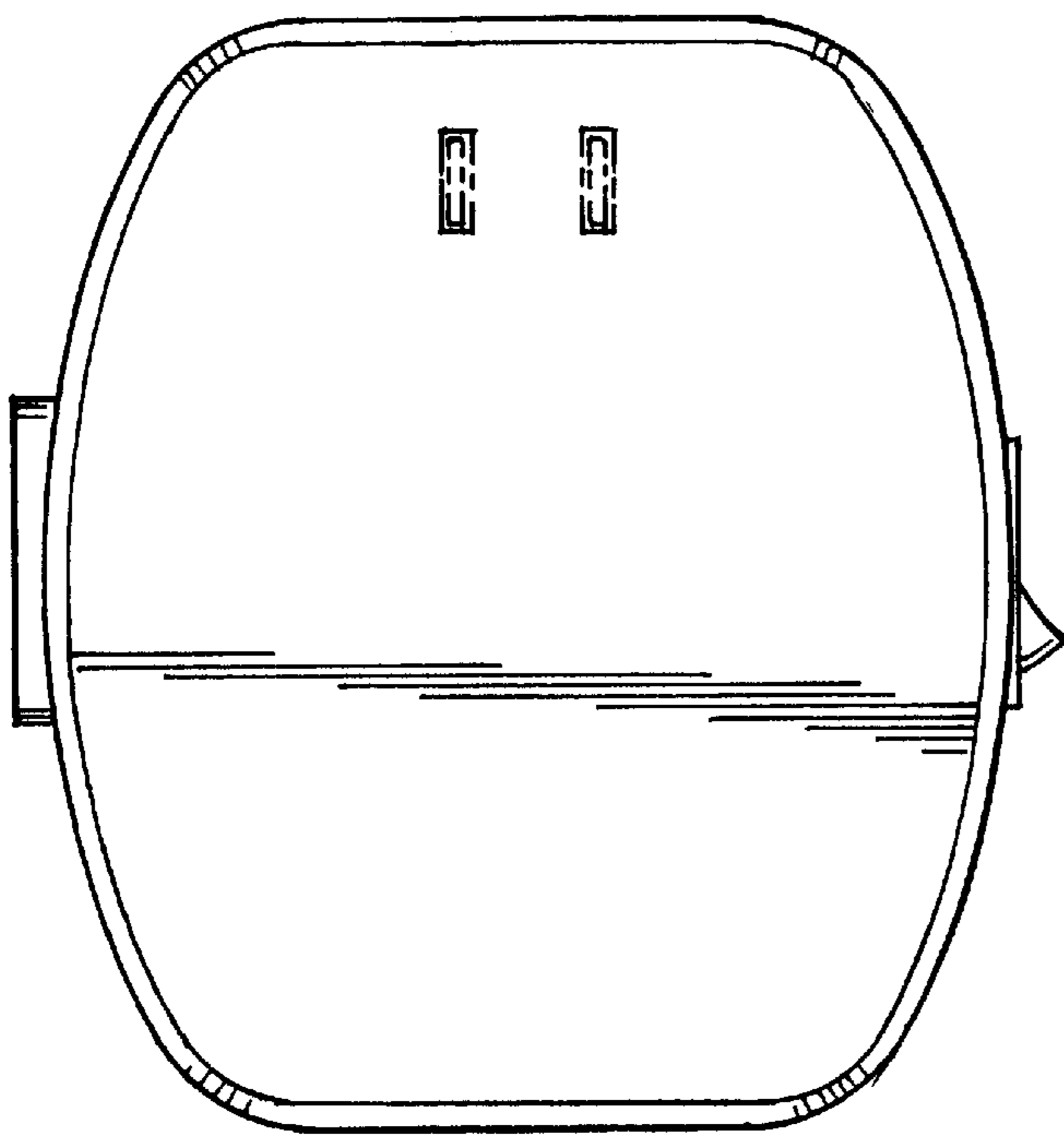
**Fig. 3**



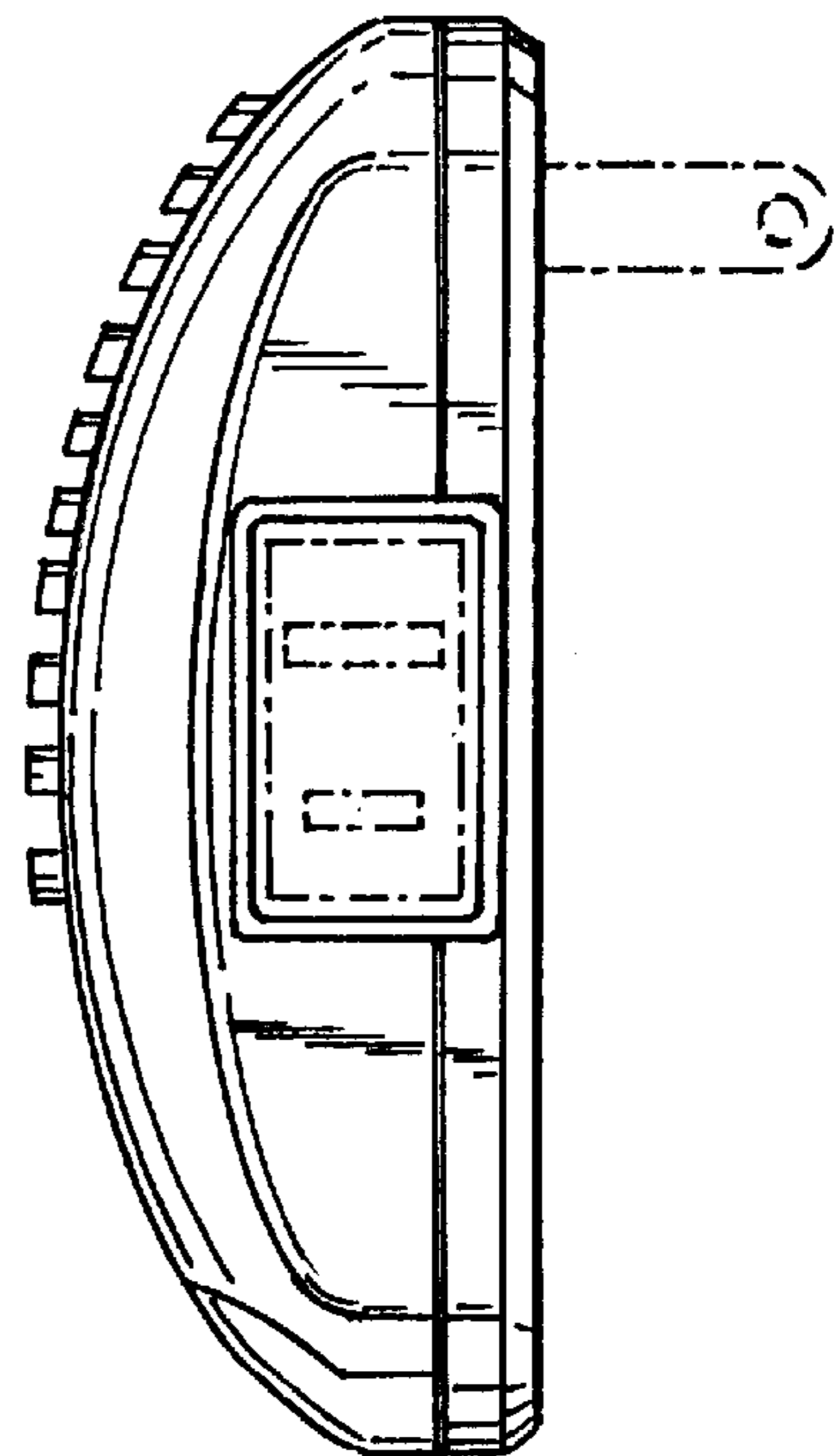
**Fig. 4**



**Fig. 5**



**Fig. 6**



**Fig. 7**