



US00D458333S

(12) **United States Design Patent**
Power

(10) **Patent No.:** **US D458,333 S**

(45) **Date of Patent:** **** Jun. 4, 2002**

(54) **FIREARM SAFETY SWITCH**

(76) Inventor: **Ron Power**, 29739 Hwy. "J", Gravois Mills, MO (US) 65037-9802

(**) Term: **14 Years**

(21) Appl. No.: **29/135,675**

(22) Filed: **Jan. 16, 2001**

(51) **LOC (7) Cl.** **22-01**

(52) **U.S. Cl.** **D22/108**

(58) **Field of Search** D22/100, 108,
D22/199; 42/70.04, 70.06, 70.08; 89/142,
148, 150

(56) **References Cited**

U.S. PATENT DOCUMENTS

1,227,531	A	*	5/1917	Donadio	42/70.08
2,225,583	A	*	12/1940	Blizard	42/70.06
2,351,268	A	*	6/1944	Jackson	42/70.08
2,379,946	A	*	7/1945	Baker	42/70.06
2,563,720	A	*	8/1951	Guisasola	42/70.06
4,133,128	A	*	1/1979	Brush	42/70.08

* cited by examiner

Primary Examiner—Louis S. Zarfes

Assistant Examiner—Monica A Weingart

(74) *Attorney, Agent, or Firm*—Donn K. Harms

(57) **CLAIM**

The ornamental design for a firearm safety switch, as shown and described.

DESCRIPTION

FIG. 1 is a perspective view of the firearm safety switch in a typical interface with a trigger mechanism of a firearm and showing my new design;

FIG. 2 is a perspective view thereof;

FIG. 3 is a top side view thereof;

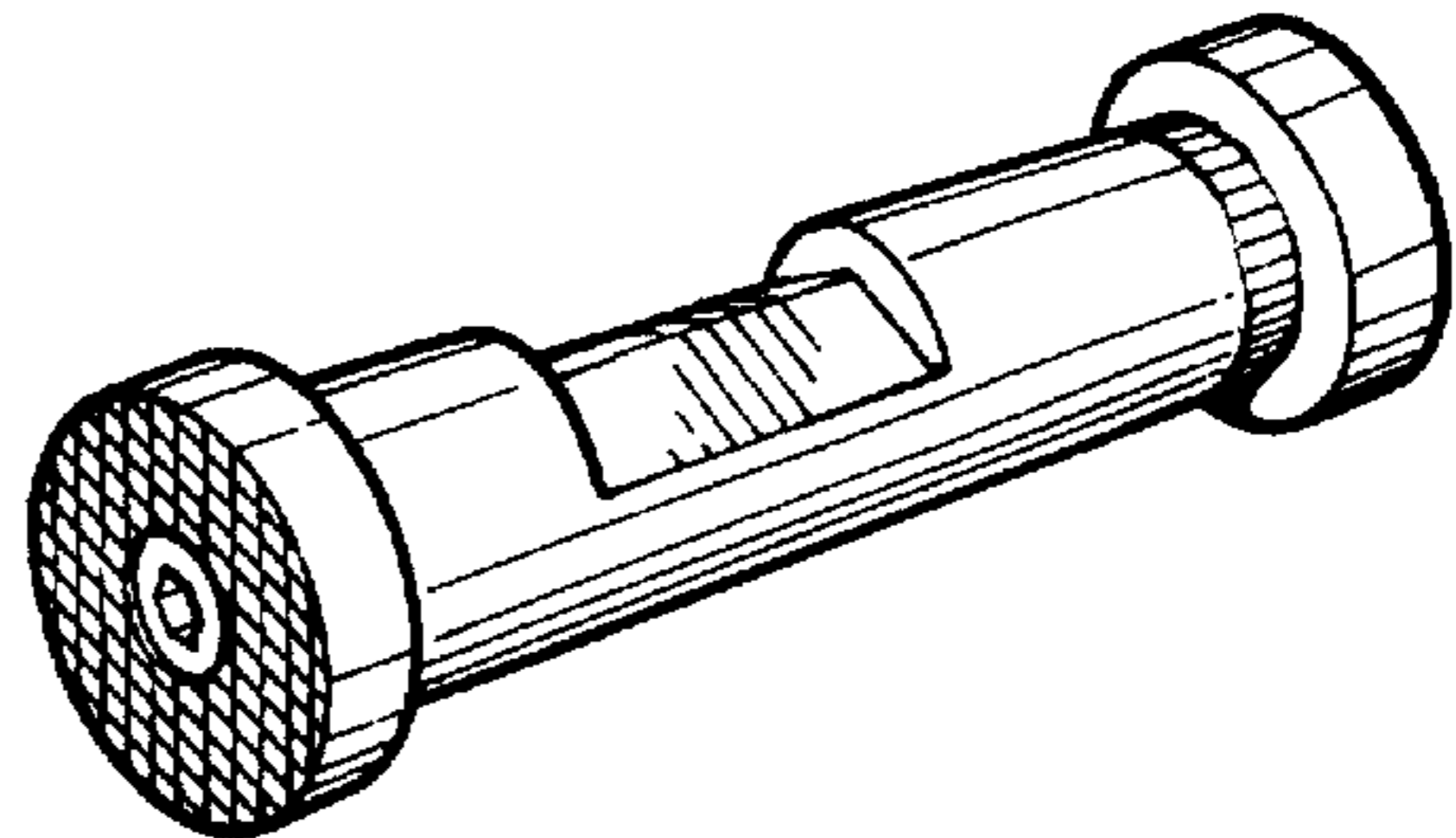
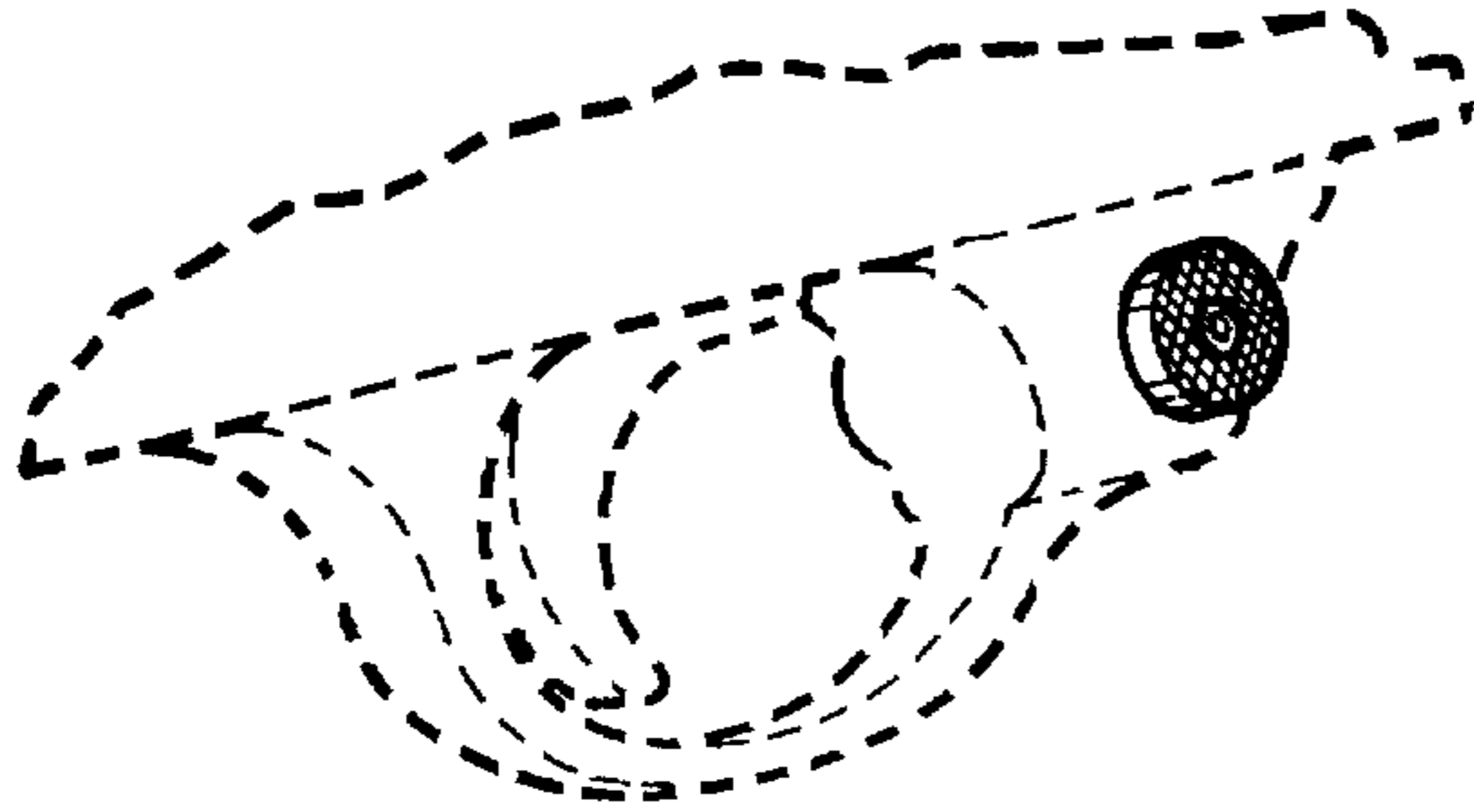
FIG. 4 is a front view thereof, the rear view is a mirror image of the front view of FIG. 4;

FIG. 5 is a bottom view thereof; and,

FIG. 6 is a first end view thereof the opposite end is a mirror image of the first end view.

The broken line shown of a trigger mechanism and part of a firearm, in FIG. 1, is for illustrative purposes only and forms no part of the claimed design.

1 Claim, 1 Drawing Sheet



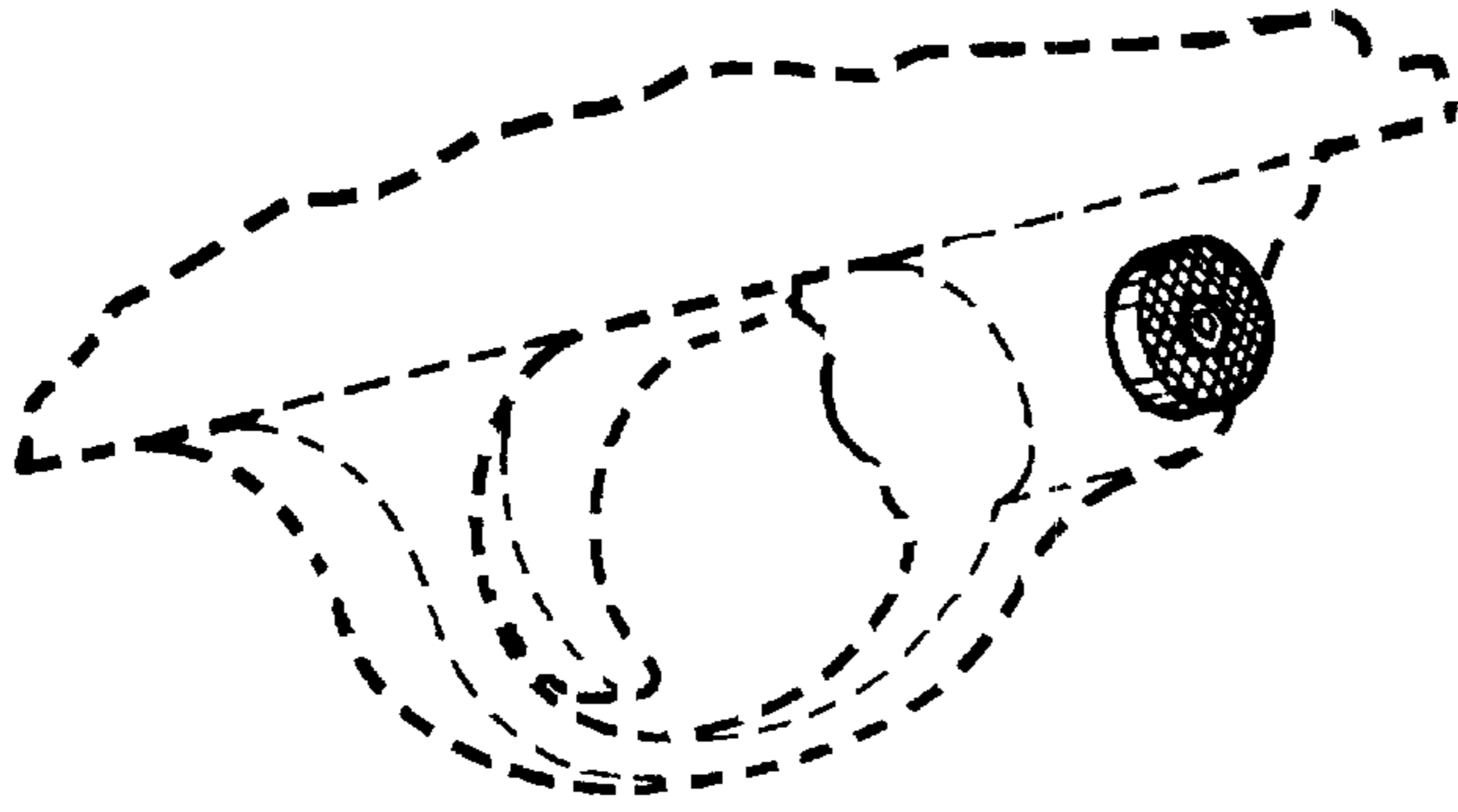


FIGURE 1

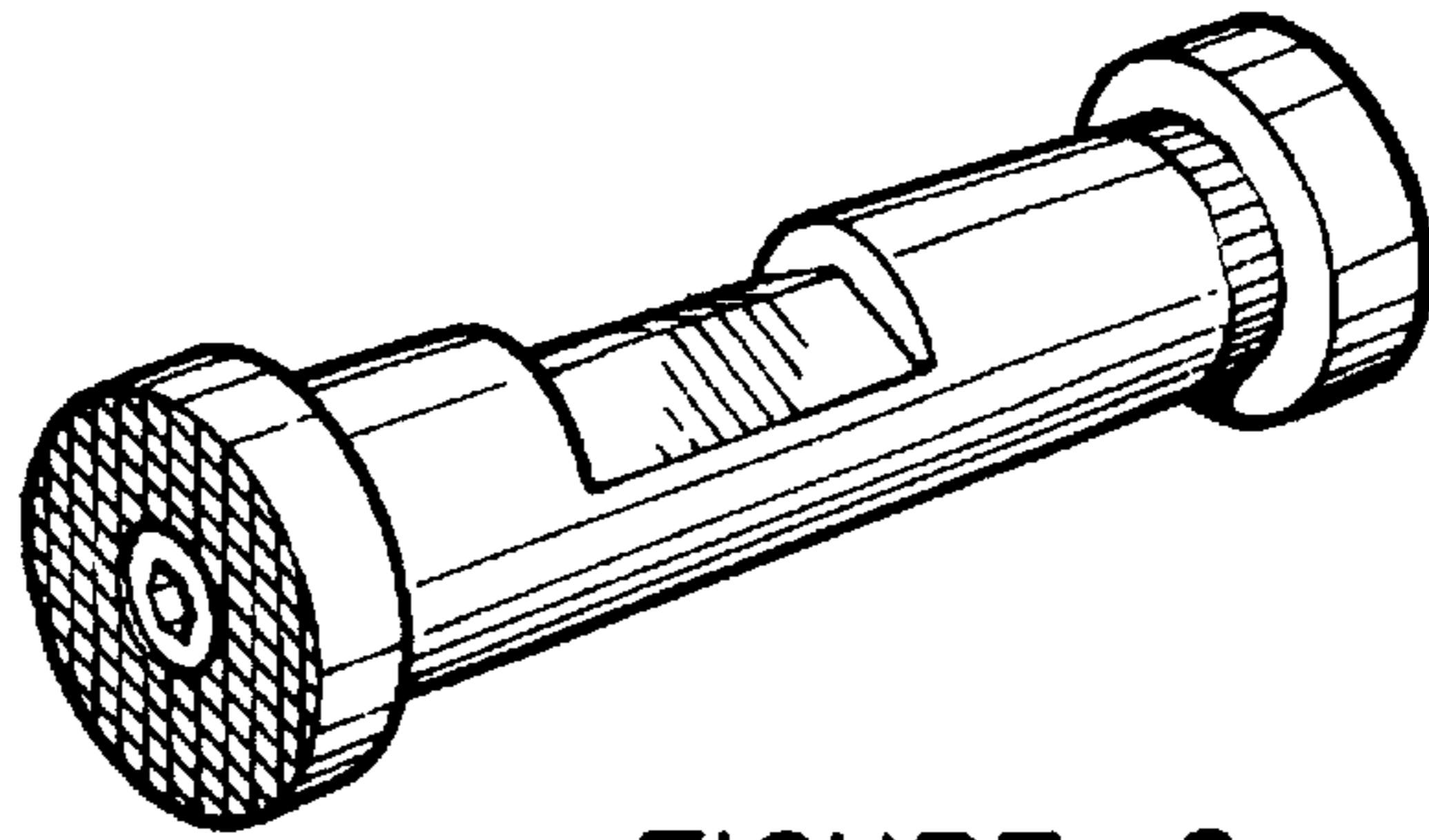


FIGURE 2

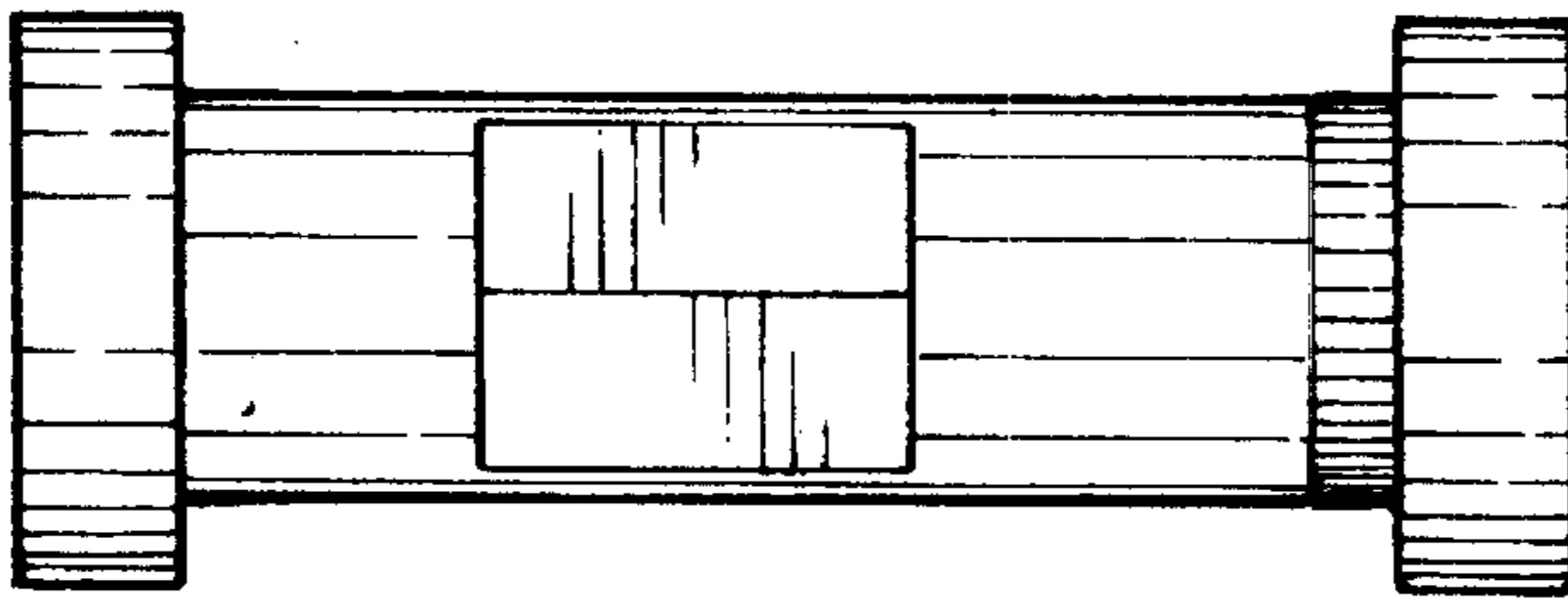


FIGURE 3

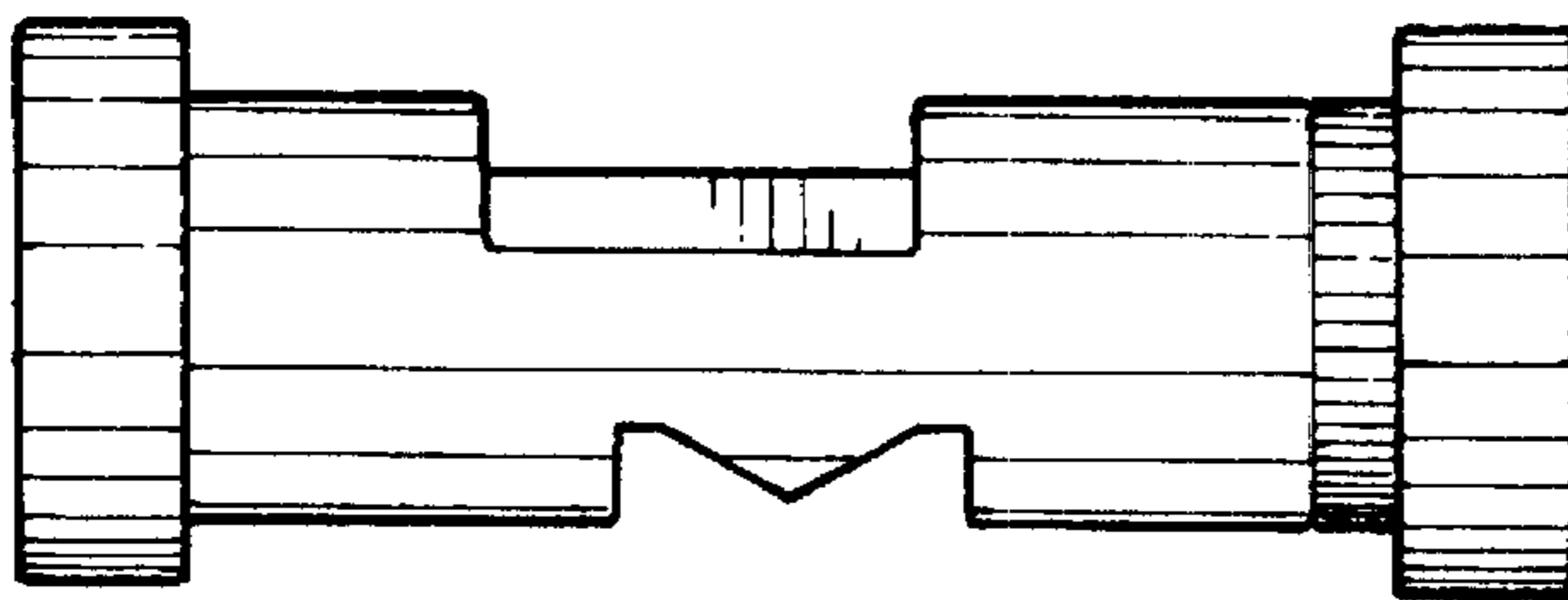


FIGURE 4

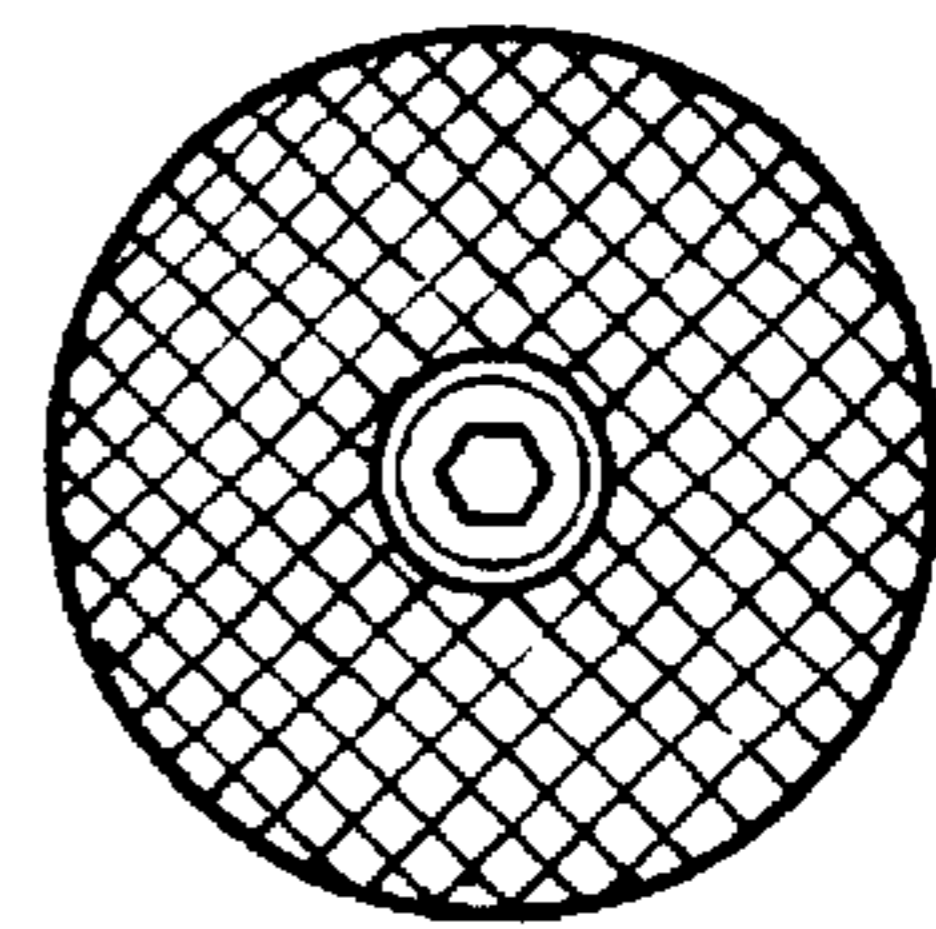


FIGURE 6

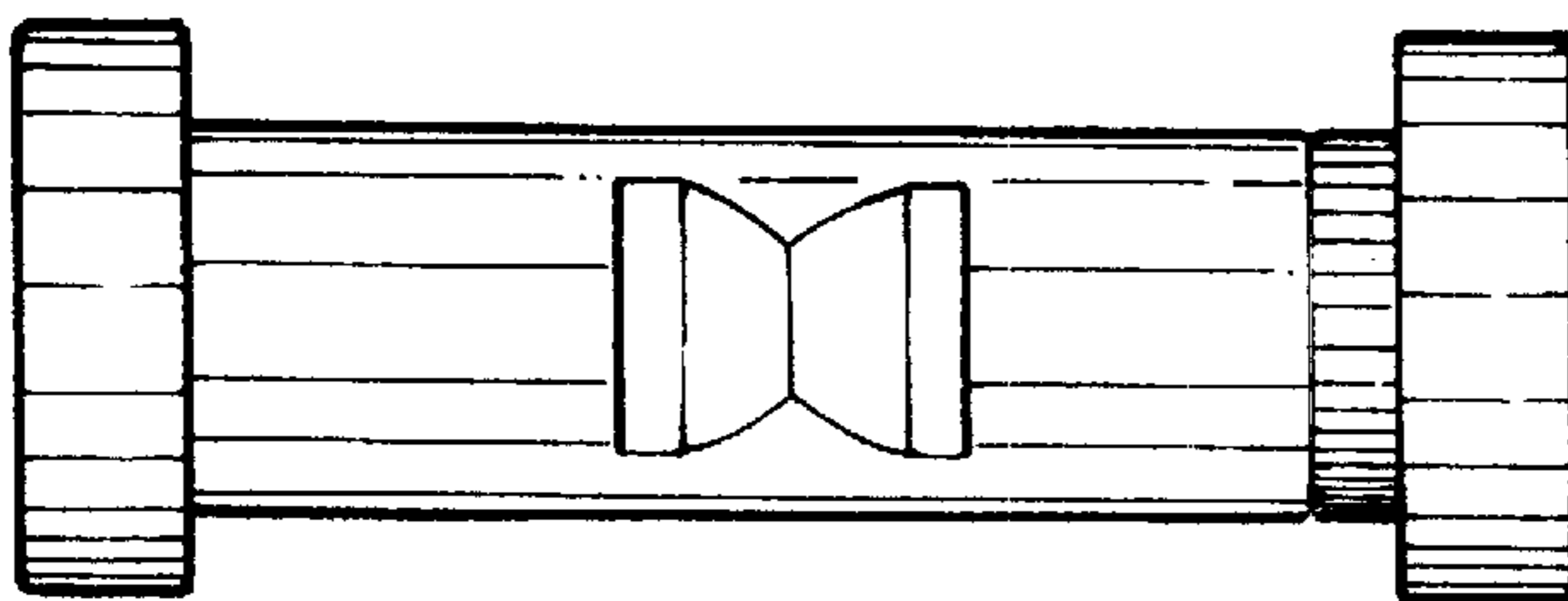


FIGURE 5