



US00D458332S

(12) **United States Design Patent**
Thomas

(10) **Patent No.:** **US D458,332 S**

(45) **Date of Patent:** **** Jun. 4, 2002**

(54) **GOLF TEE POSITIONER**

(76) **Inventor:** **Bernie Thomas**, 6504 Jocelyn Hollow Rd., Nashville, TN (US) 37205

(**) **Term:** **14 Years**

(21) **Appl. No.:** **29/142,671**

(22) **Filed:** **May 31, 2001**

(51) **LOC (7) Cl.** **21-02**

(52) **U.S. Cl.** **D21/789; D21/718**

(58) **Field of Search** **D21/793, 789, D21/718; 473/386, 398**

(56) **References Cited**

U.S. PATENT DOCUMENTS

3,671,037	A	*	6/1972	Murdock, Jr.	473/386
5,634,862	A	*	6/1997	Gamache	473/386
D396,085	S	*	7/1998	Boelling	D21/793
D404,455	S	*	1/1999	Gella et al.	D21/791

* cited by examiner

Primary Examiner—Mitchell Siegel

(74) *Attorney, Agent, or Firm*—Stephen J. Stark; Miller & Martin LLP

(57) **CLAIM**

The ornamental design for a golf tee positioner, as shown and described.

DESCRIPTION

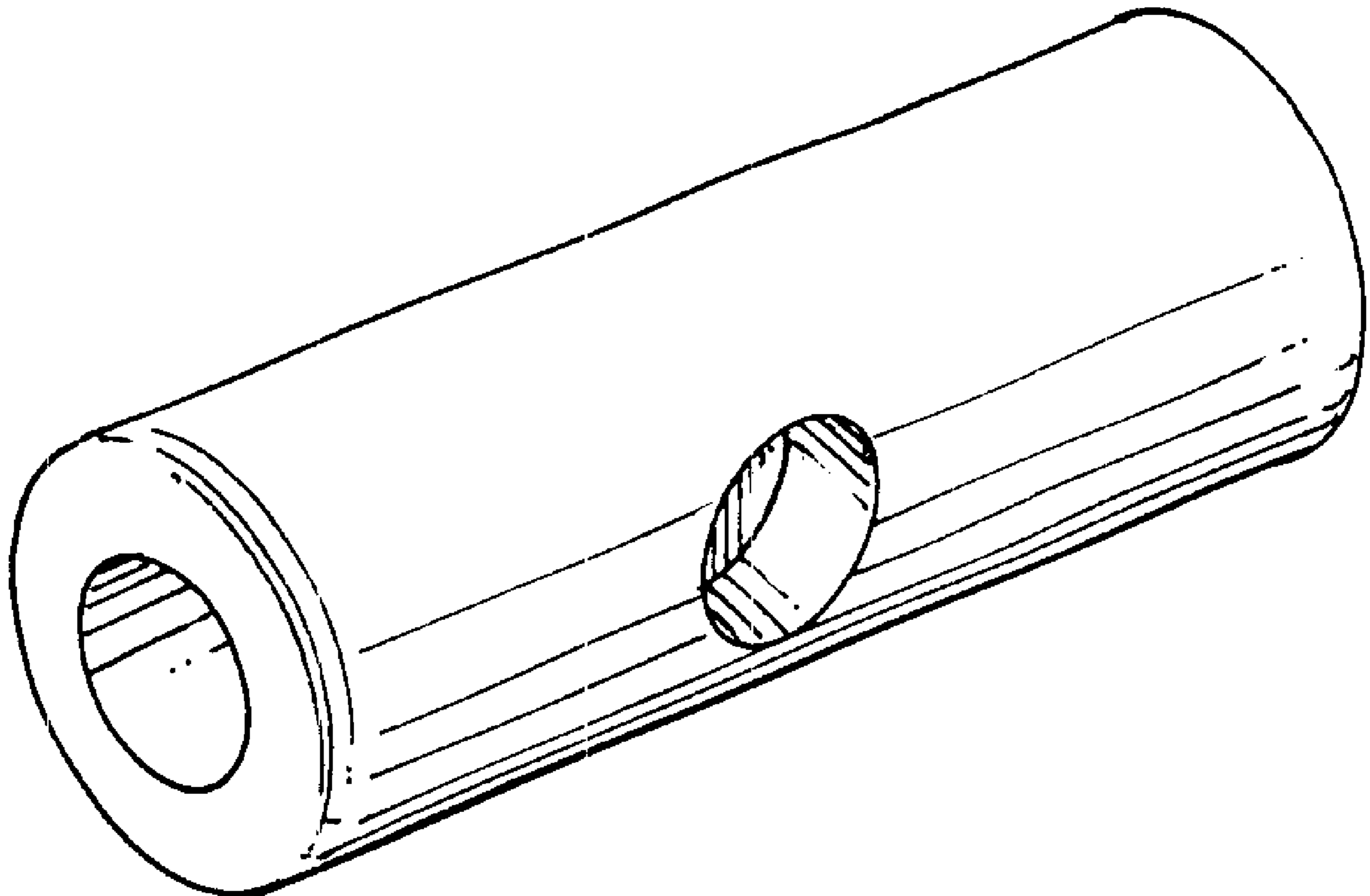
FIG. 1 is a top perspective view of a golf tee positioner embodying my new design;

FIG. 2 is a front elevational view thereof, a rear elevational view being identical thereto;

FIG. 3 is a side elevational view thereof, the sides showing the whole FIG. 1; and,

FIG. 4 is a side elevational view opposite of the view of FIG. 3.

1 Claim, 1 Drawing Sheet



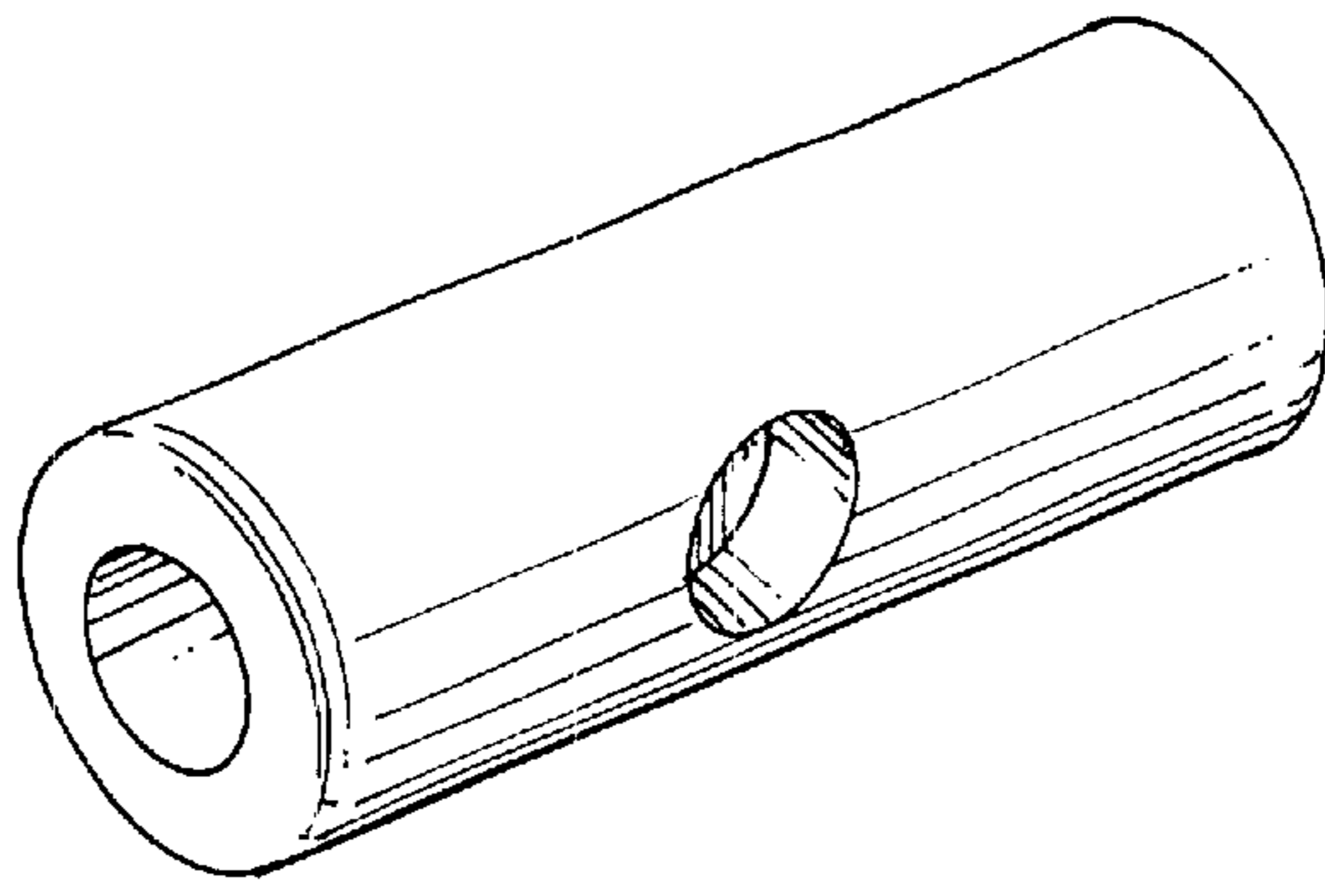


FIG. 1

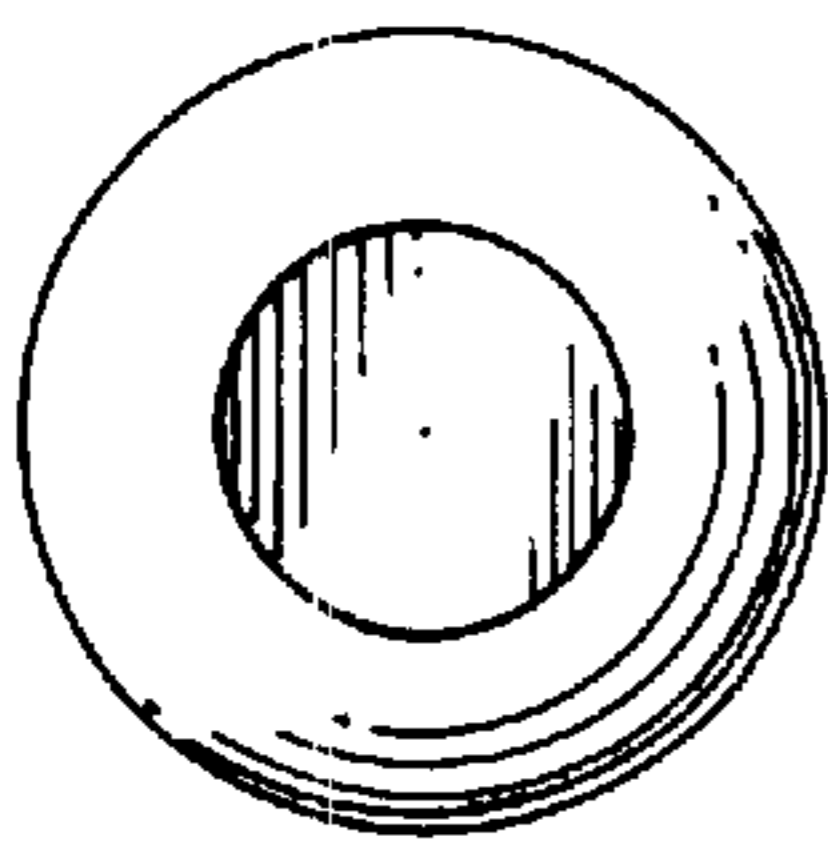


FIG. 2

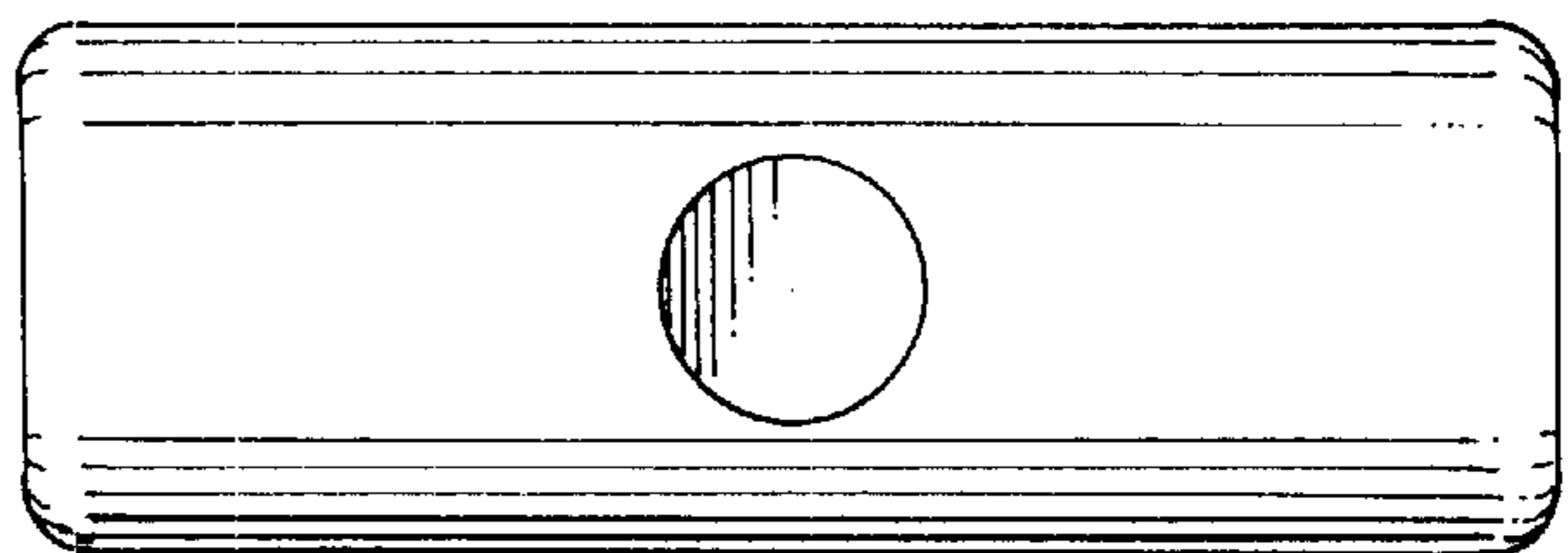


FIG. 3

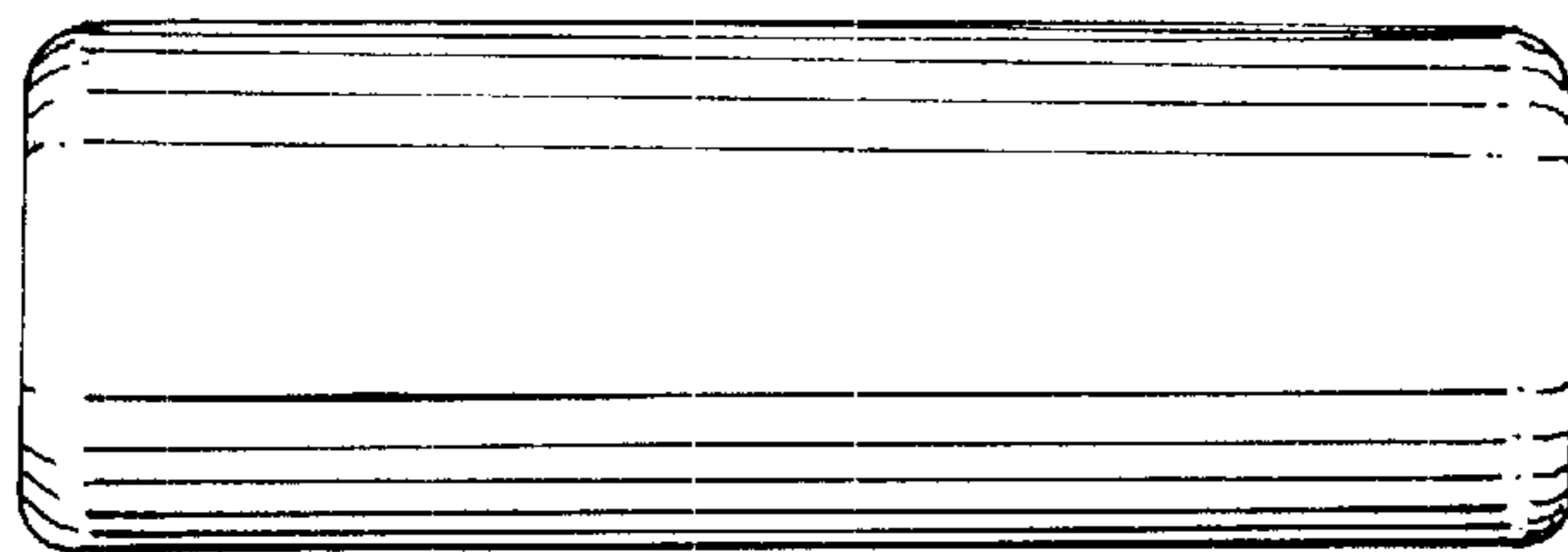


FIG. 4